



US00D466077S

(12) **United States Design Patent**
Wang

(10) **Patent No.:** **US D466,077 S**

(45) **Date of Patent:** **** Nov. 26, 2002**

(54) **PORTABLE POWER SUPPLY**

(76) Inventor: **Jui-Chih Wang**, No. 12, Lane 114, Nan Kong St., Yung Kang City, Tainan Hsien (TW)

(**) Term: **14 Years**

(21) Appl. No.: **29/151,021**

(22) Filed: **Dec. 4, 2001**

(51) **LOC (7) Cl.** **13-02**

(52) **U.S. Cl.** **D13/110; D13/107**

(58) **Field of Search** D13/110, 106, D13/107; 320/104, 105; 307/64, 66, 150, 151

(56) **References Cited**

U.S. PATENT DOCUMENTS

D374,859 S	*	10/1996	Guay et al.	D13/110
5,589,292 A	*	12/1996	Rozon	429/170
D407,065 S	*	3/1999	Chang	D13/110
D408,782 S	*	4/1999	Poon	D13/106
D425,019 S	*	5/2000	Zheng	D13/110

D429,482 S	*	8/2000	Hussaini et al.	D13/107
D432,985 S	*	10/2000	Wan	D13/107
D448,723 S	*	10/2001	Zhu	D13/107
RE37,482 E	*	12/2001	Guay et al.	D13/110
D452,474 S	*	12/2001	Casarella	D13/107

* cited by examiner

Primary Examiner—Joel Sincavage

(74) *Attorney, Agent, or Firm*—Rosenberg, Klein & Lee

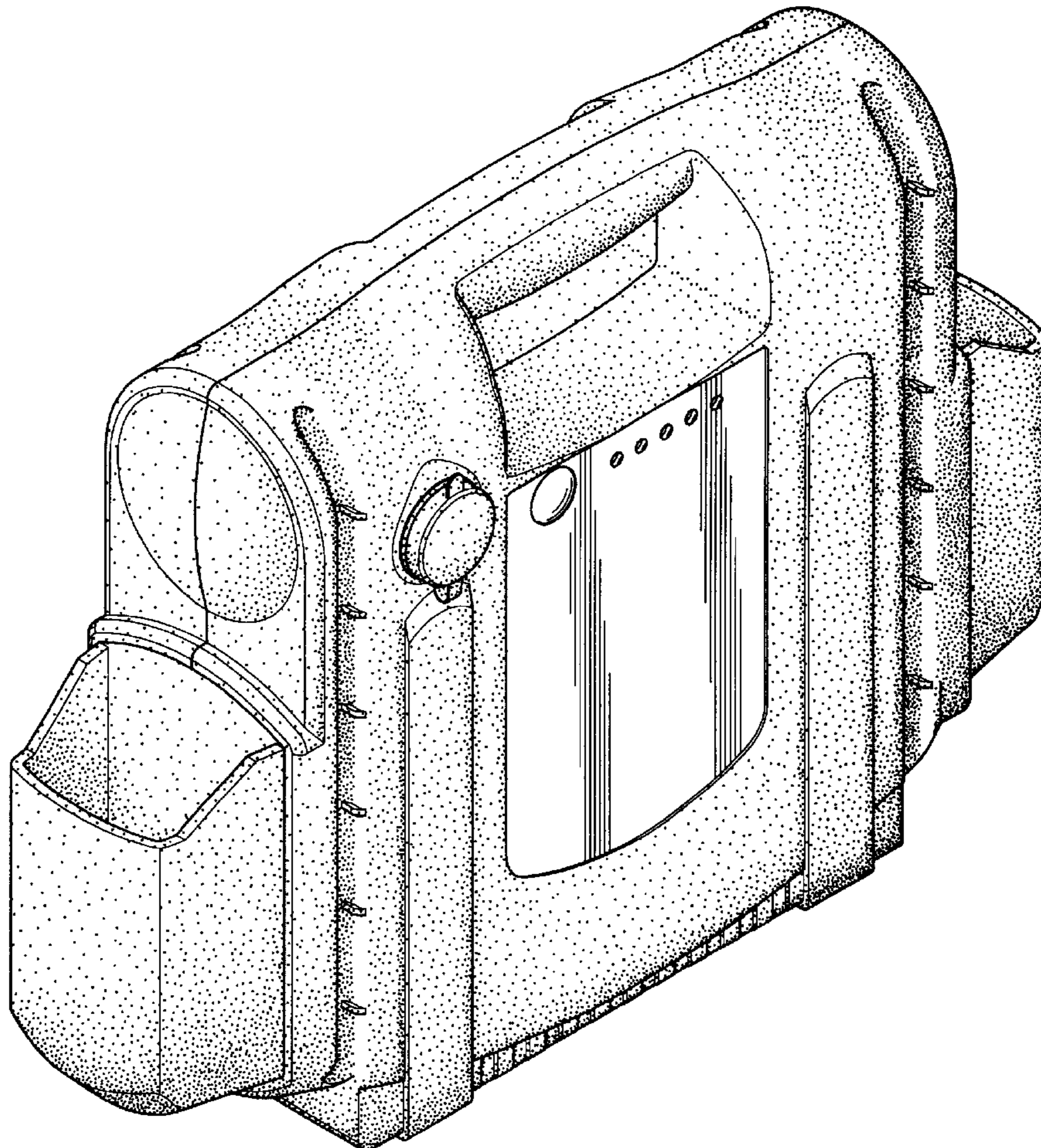
(57) **CLAIM**

The ornamental design for a portable power supply, as shown and described.

DESCRIPTION

FIG. 1 is a perspective view of a portable power supply showing my present design; FIG. 2 is a front view thereof; FIG. 3 is a rear view thereof; FIG. 4 is a left view thereof; FIG. 5 is a right view thereof; FIG. 6 is a top plan view thereof; and, FIG. 7 is a bottom plan view.

1 Claim, 5 Drawing Sheets



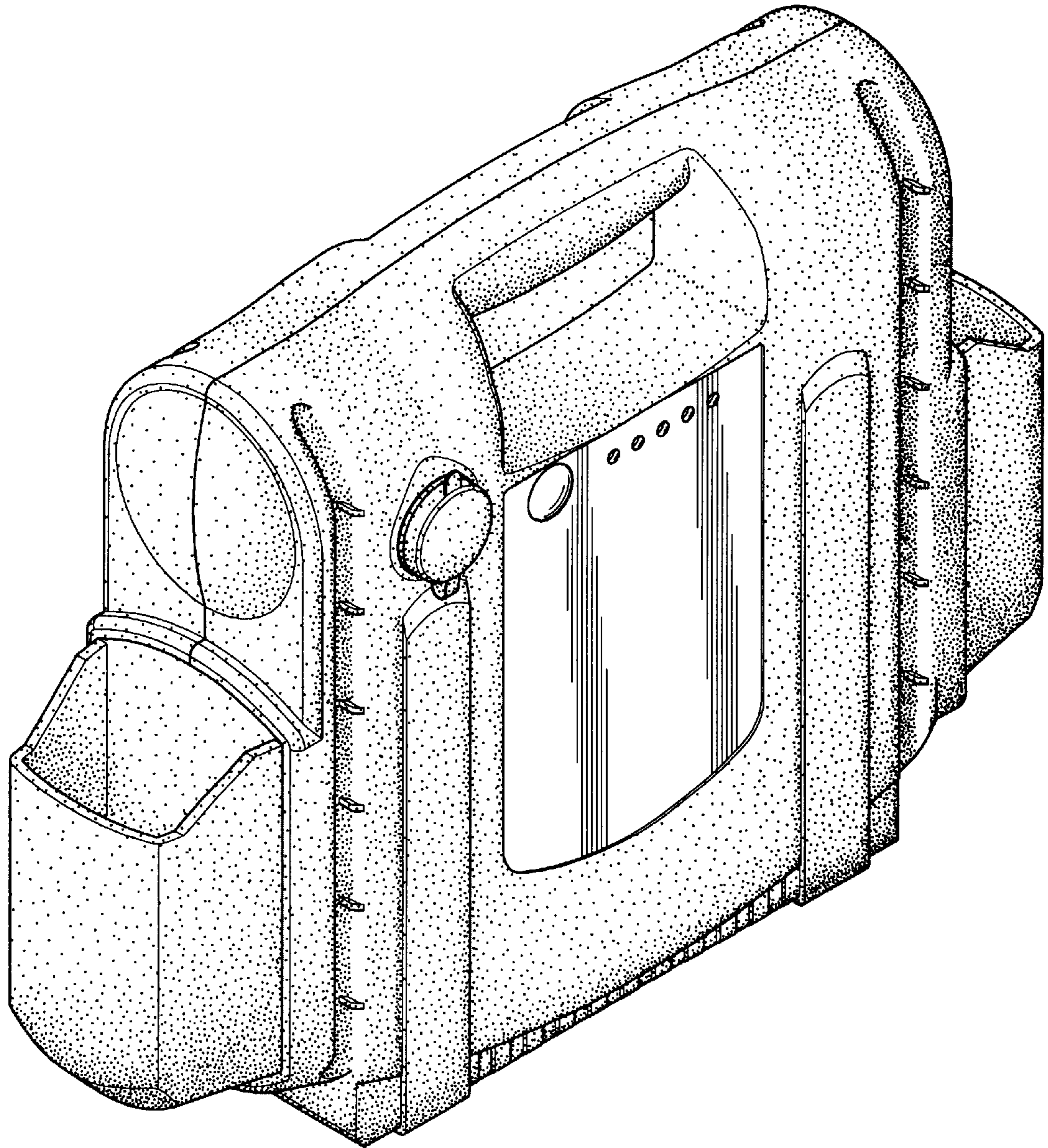


FIG. 1

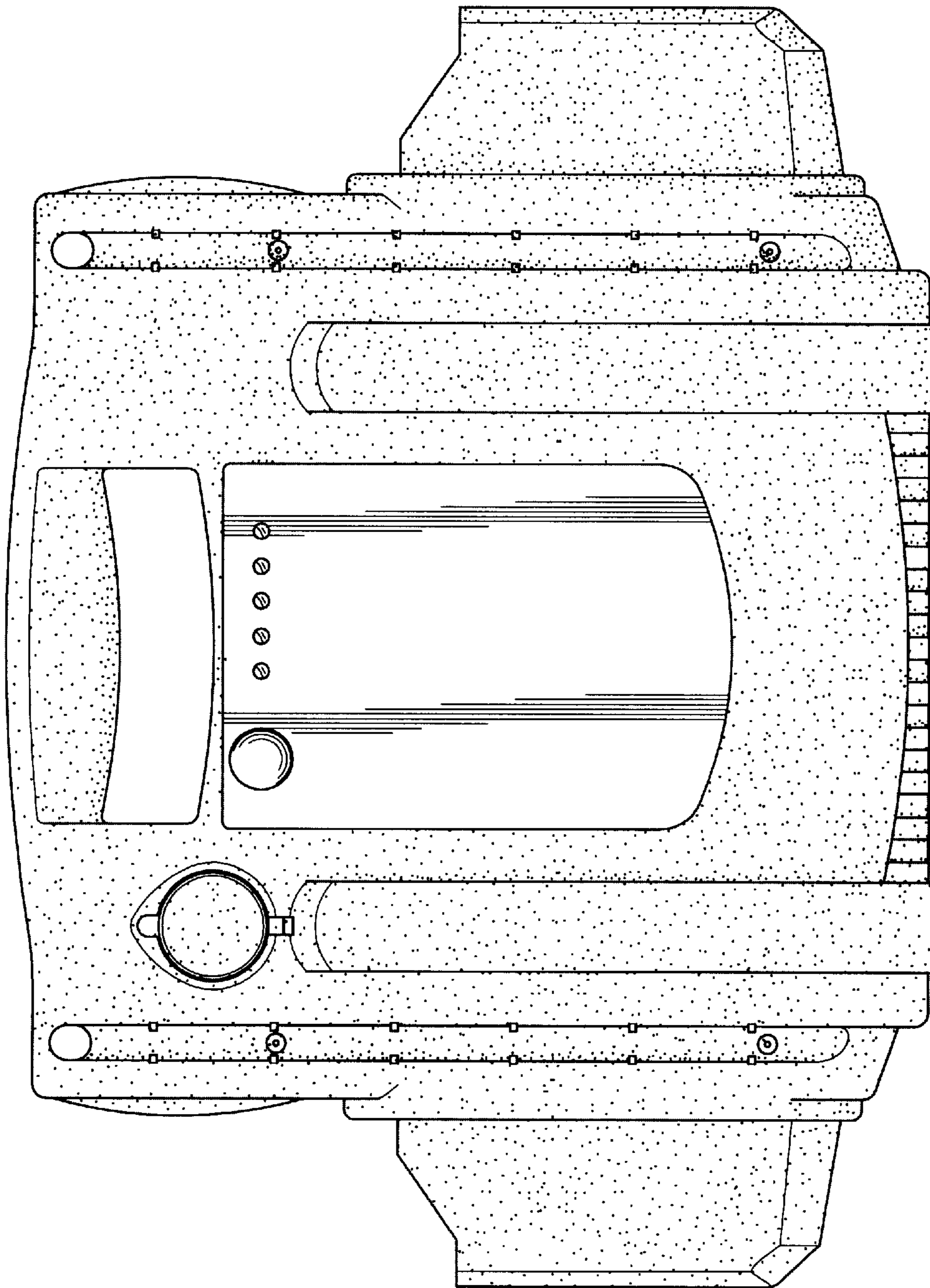


FIG. 2

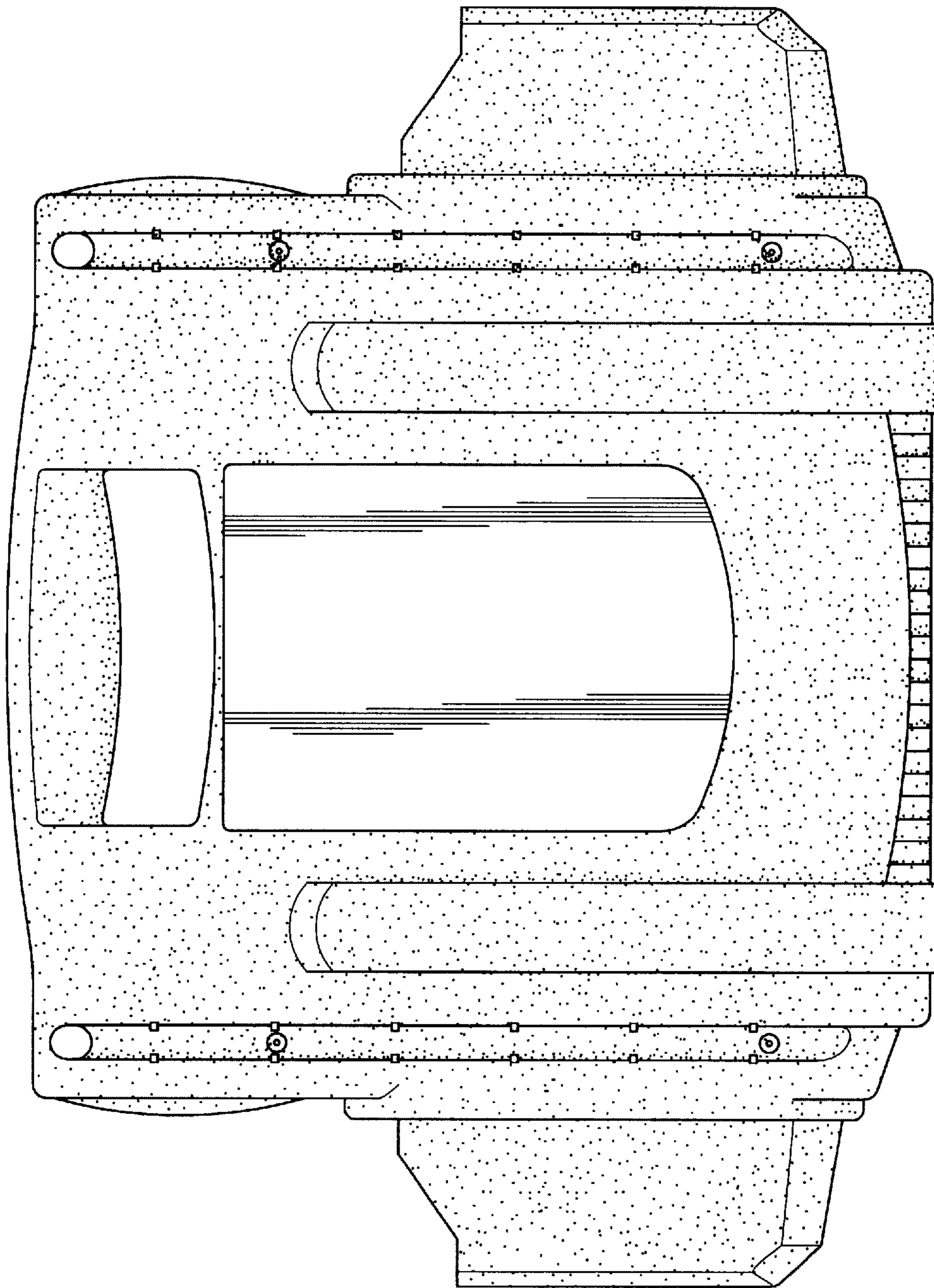


FIG. 3

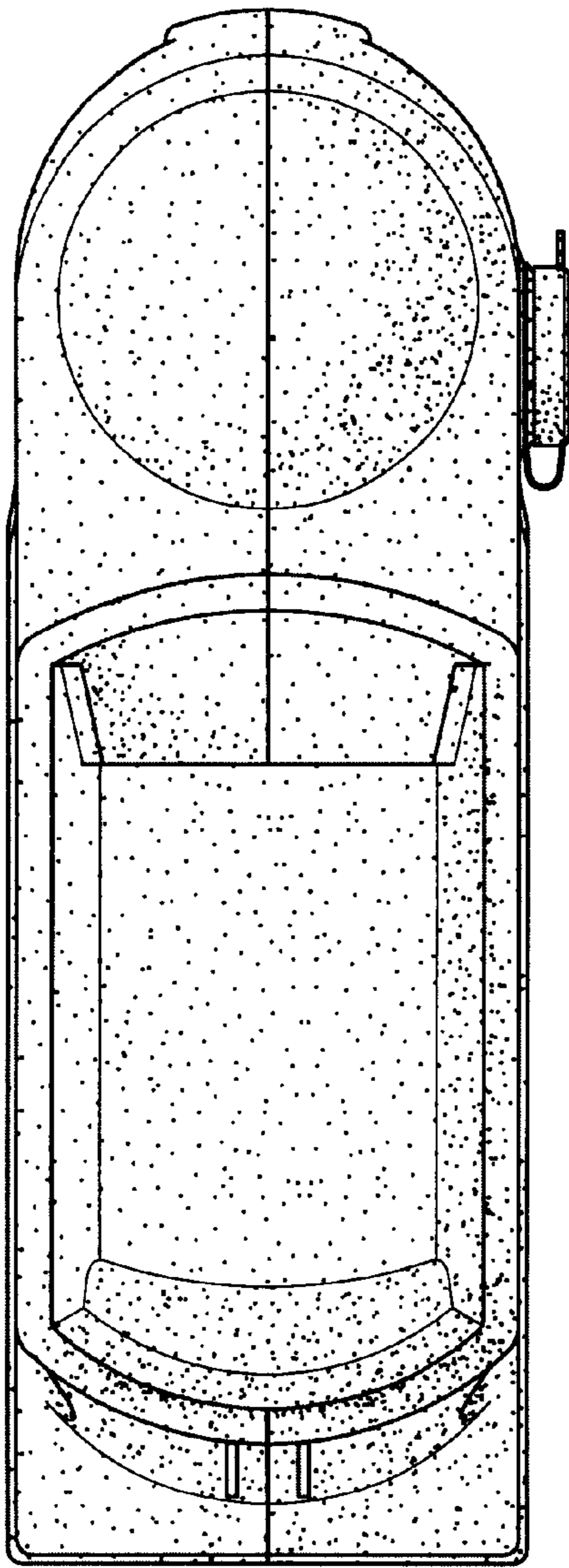


FIG. 4

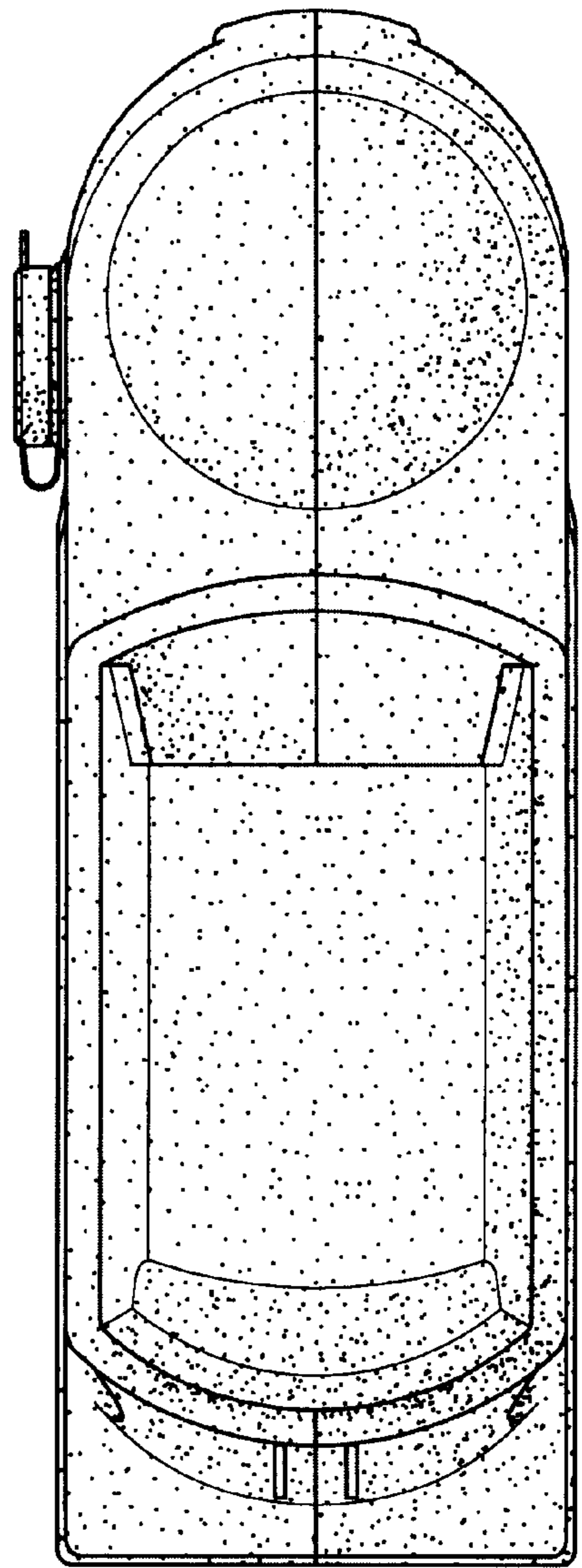


FIG. 5

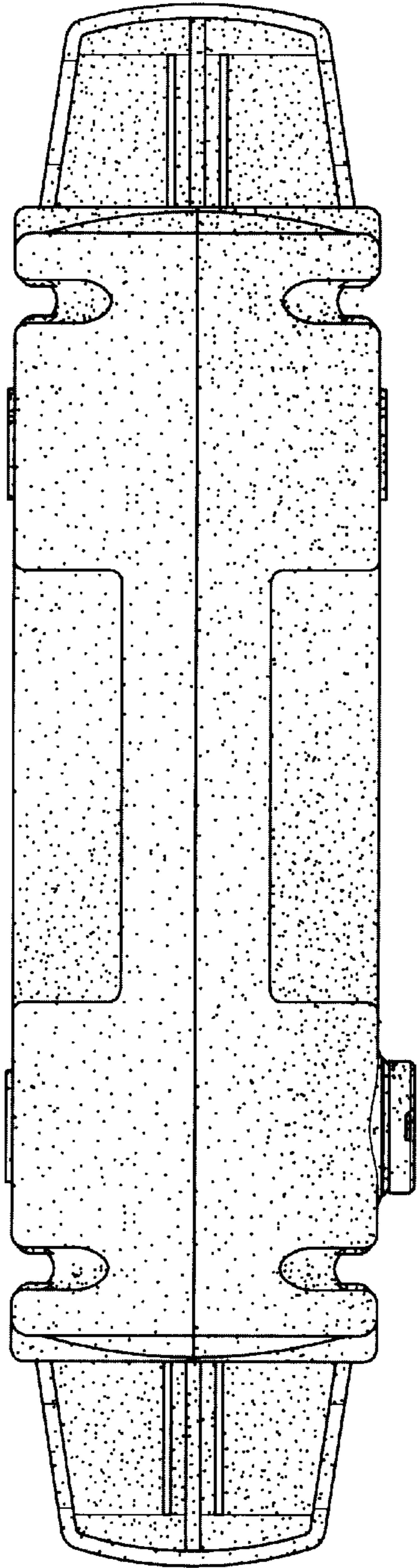


FIG. 6

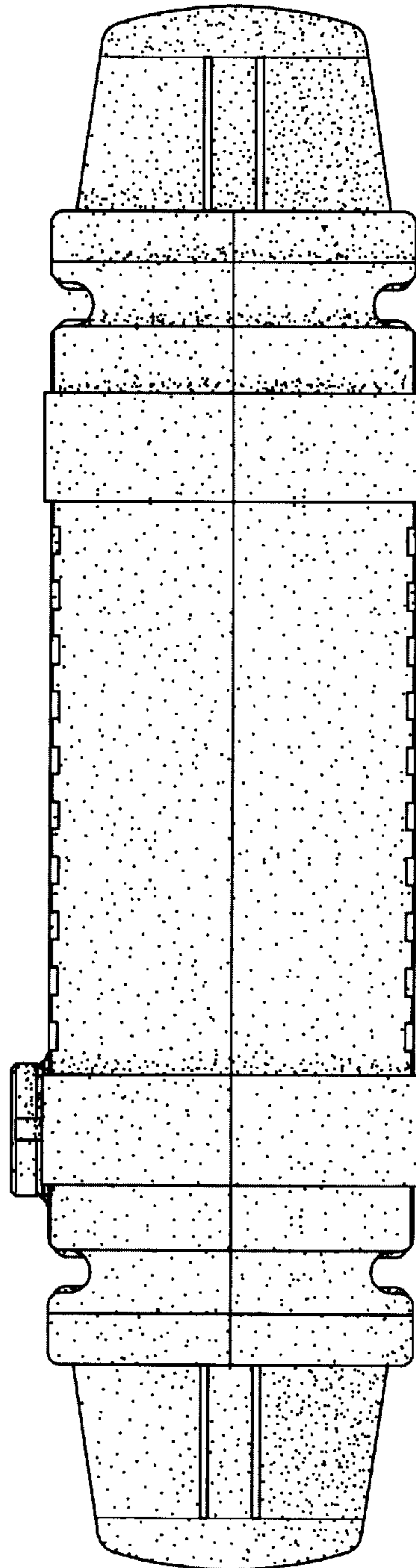


FIG. 7