



US00D466074S

(12) **United States Design Patent**
Hoy

(10) **Patent No.:** **US D466,074 S**

(45) **Date of Patent:** **** Nov. 26, 2002**

(54) **ADJUSTABLE STORAGE DEVICE FOR USE
IN A VEHICLE**

D448,567 S * 10/2001 Buss D3/310
D450,291 S * 11/2001 Wang D12/426

(75) Inventor: **John W. Hoy**, Olpe, KS (US)

* cited by examiner

(73) Assignee: **Hopkins Manufacturing Corporation**,
Emporia, KS (US)

Primary Examiner—Stacia Cadmus

(74) *Attorney, Agent, or Firm*—Hovey Williams LLP

(**) Term: **14 Years**

(57) **CLAIM**

(21) Appl. No.: **29/157,274**

The ornamental design for an adjustable storage device for use in a vehicle, as shown and described.

(22) Filed: **Mar. 14, 2002**

DESCRIPTION

(51) **LOC (7) Cl.** **12-16**

(52) **U.S. Cl.** **D12/426**

(58) **Field of Search** D12/400, 412-415,
D12/423-426; D3/304-305, 313; D9/432,
337-339, 341-348, 456; 220/542, 530-531,
536; 296/37.1-37.6, 39.1-39.2; 224/402-405,
539-543, 549, 925, 311

FIG. 1 is a perspective view of an adjustable storage device for use in vehicles, showing my new design. The random shading is understood to represent net material and is understood to be repeated uniformly throughout the area on which it is applied.

FIG. 2 is a left side view thereof;

FIG. 3 is a top view thereof;

FIG. 4 is a front view thereof;

FIG. 5 is a rear view thereof;

FIG. 6 is a bottom view thereof; and,

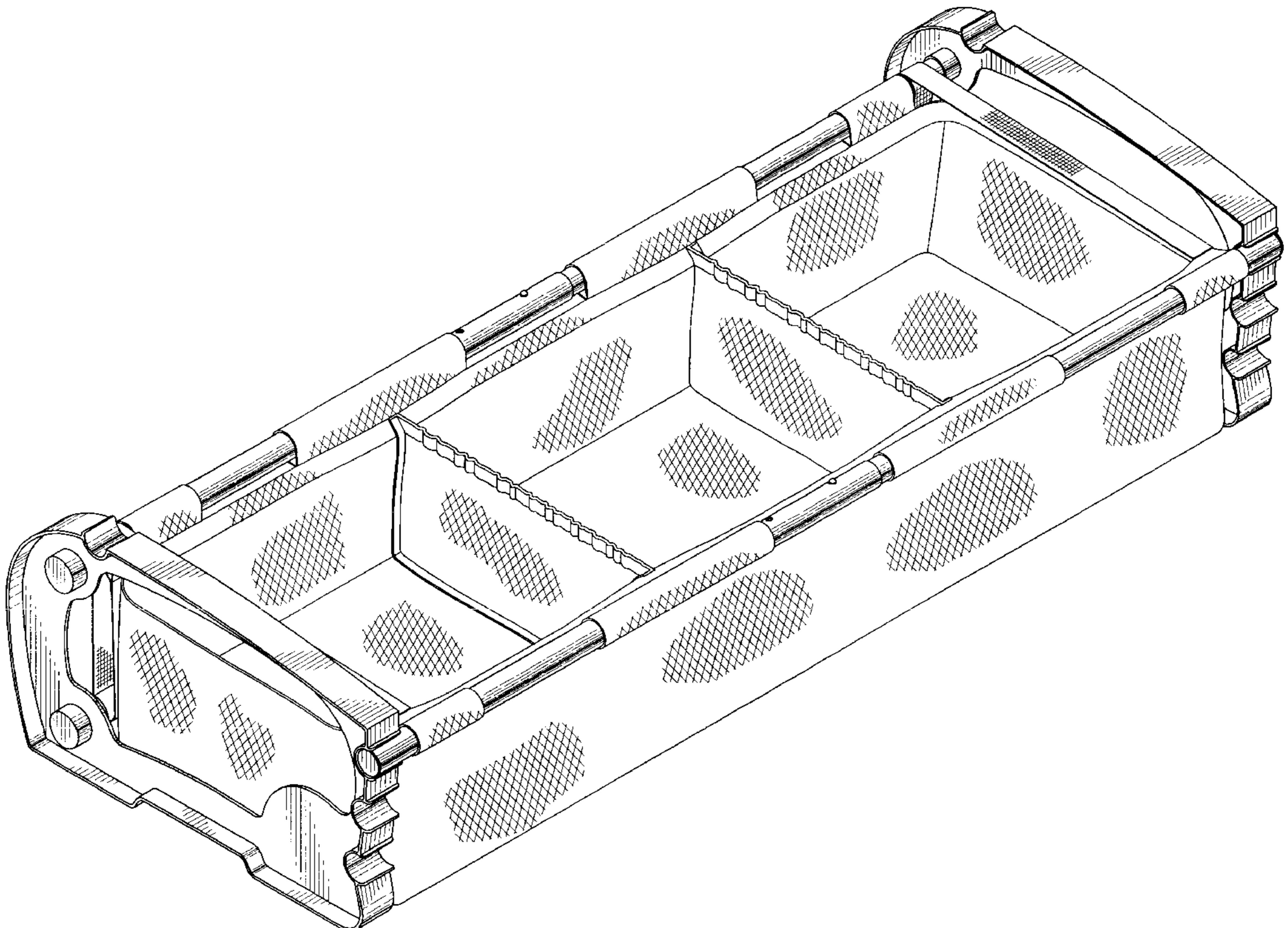
FIG. 7 is a perspective view of a second embodiment of an adjustable storage device for use in vehicles, showing my new design, the only difference being the random shading which is understood to represent fabric material and is understood to be repeated uniformly throughout the area on which it is applied.

(56) **References Cited**

U.S. PATENT DOCUMENTS

- D349,091 S * 7/1994 Dickinson D12/406
- D358,125 S * 5/1995 Jackson D12/425
- D372,016 S * 7/1996 Wolford D12/423
- D373,989 S * 9/1996 Dickinson D12/423
- D392,246 S * 3/1998 Anderson D12/414
- D403,654 S * 1/1999 Houry D12/414.1
- D421,183 S * 2/2000 Koskinen D3/312
- D434,369 S * 11/2000 Matthies D12/426

1 Claim, 4 Drawing Sheets



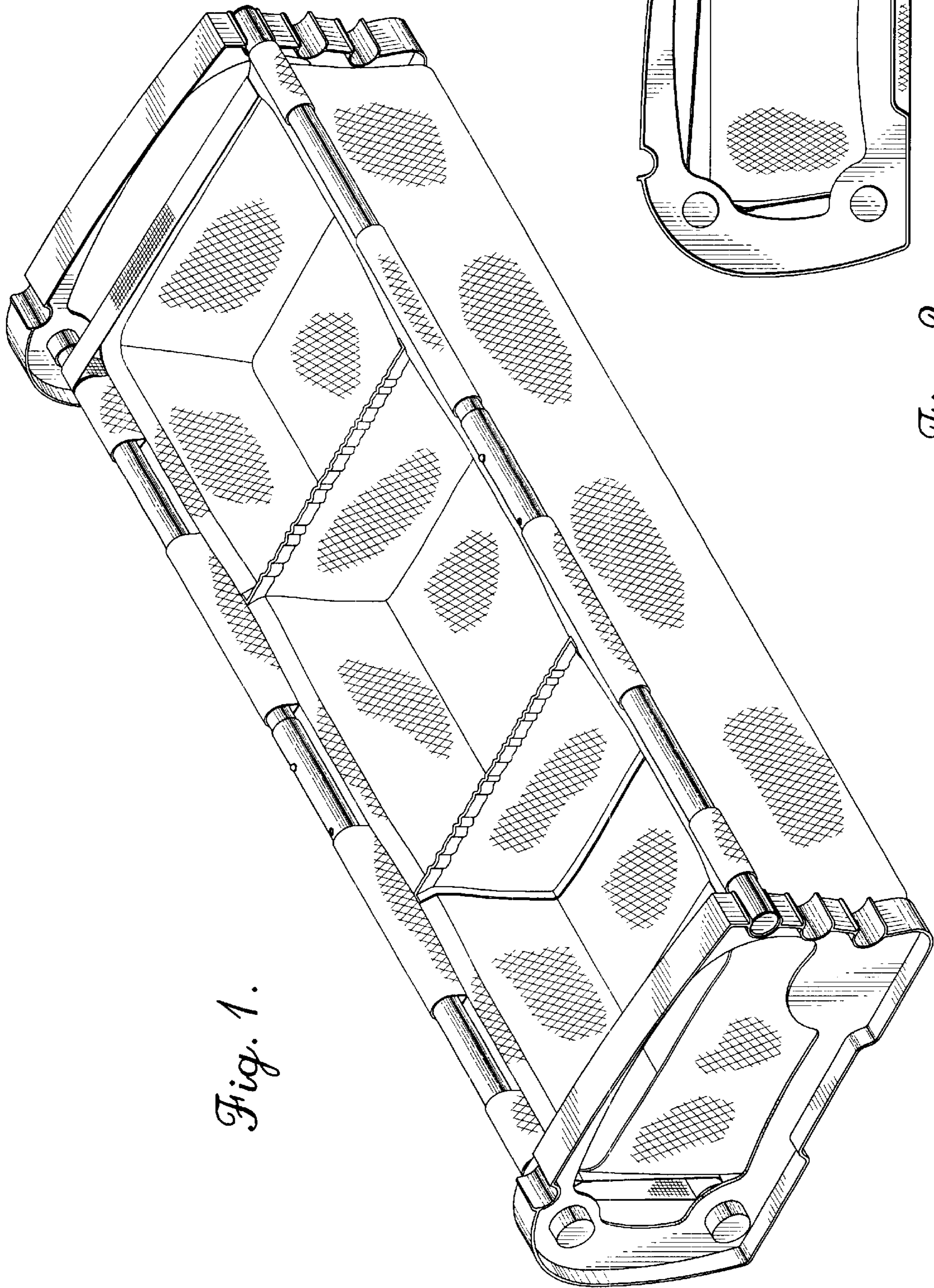


Fig. 1.

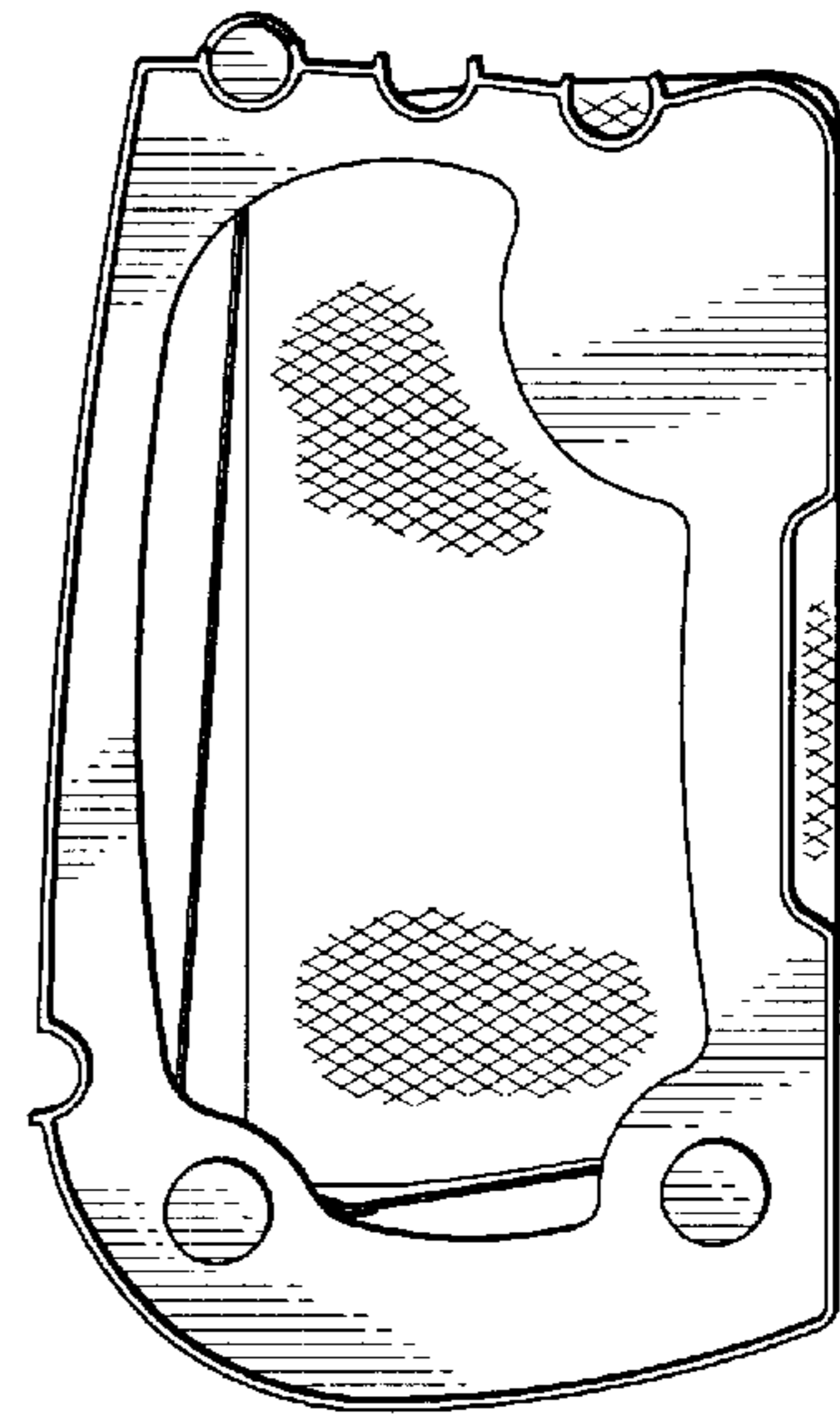


Fig. 2.

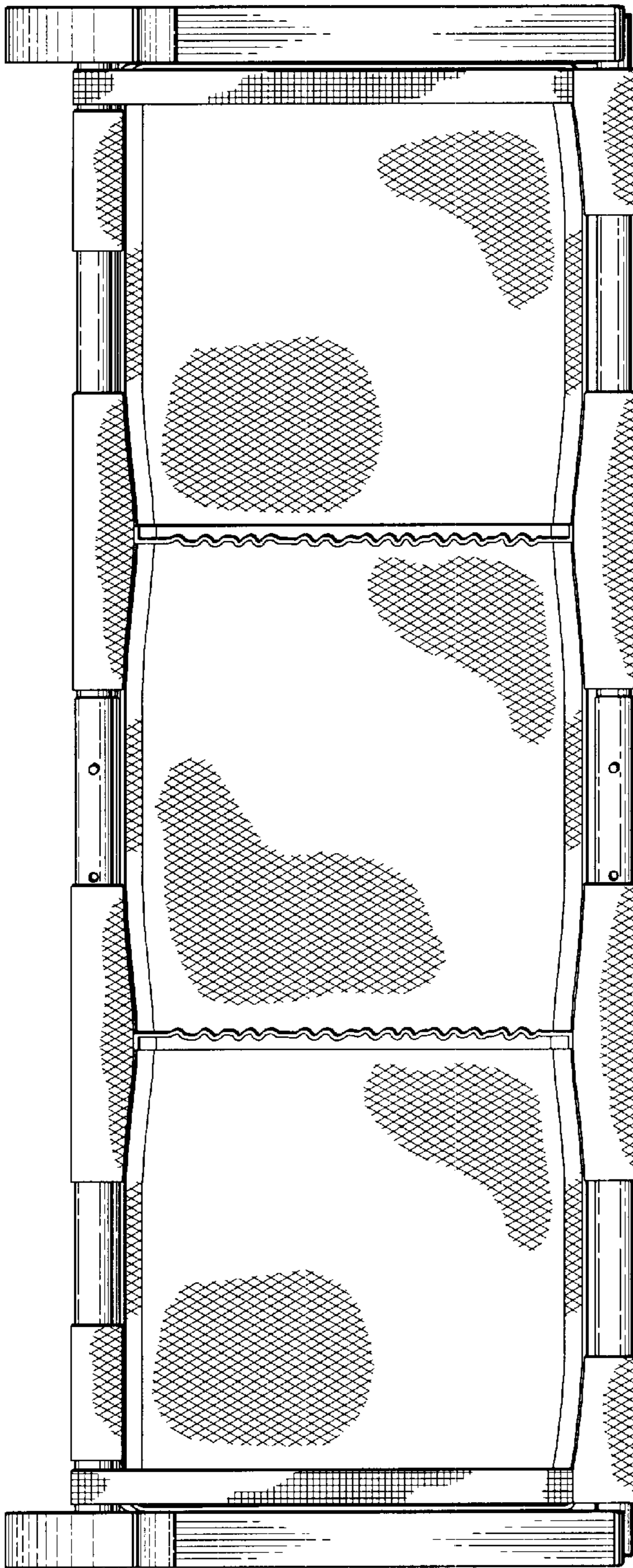


Fig. 3.

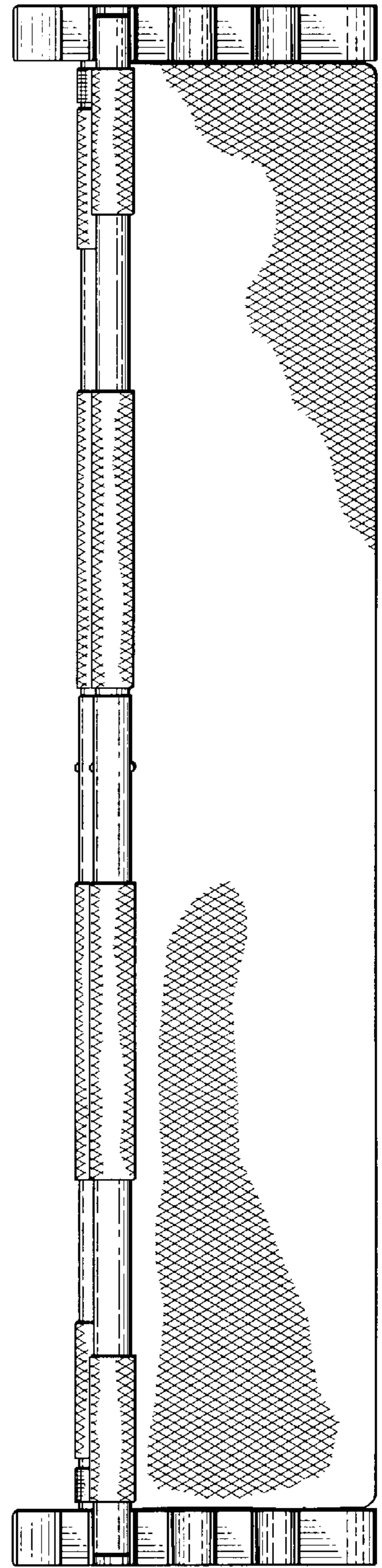


Fig. 4.

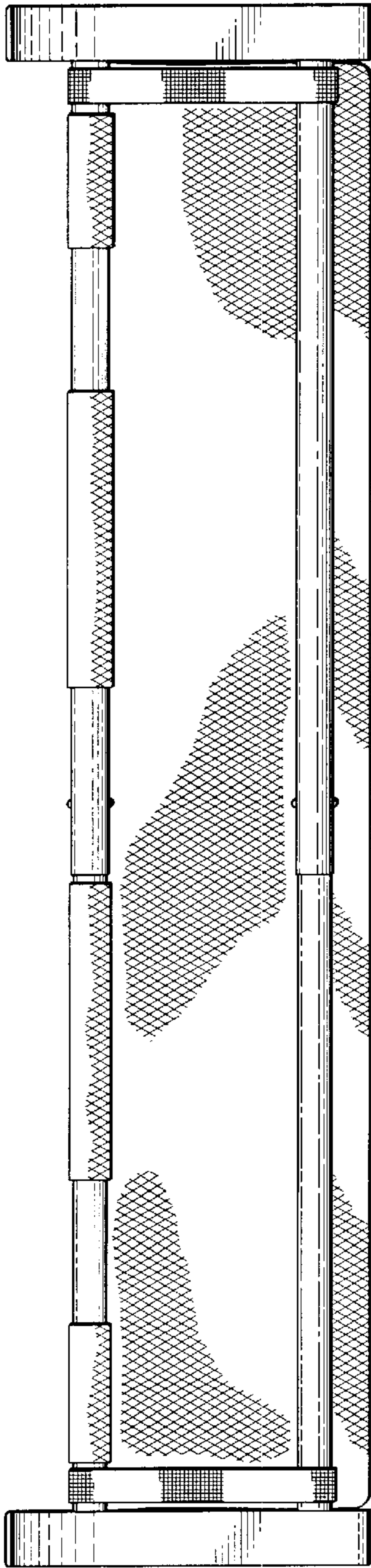


Fig. 5.

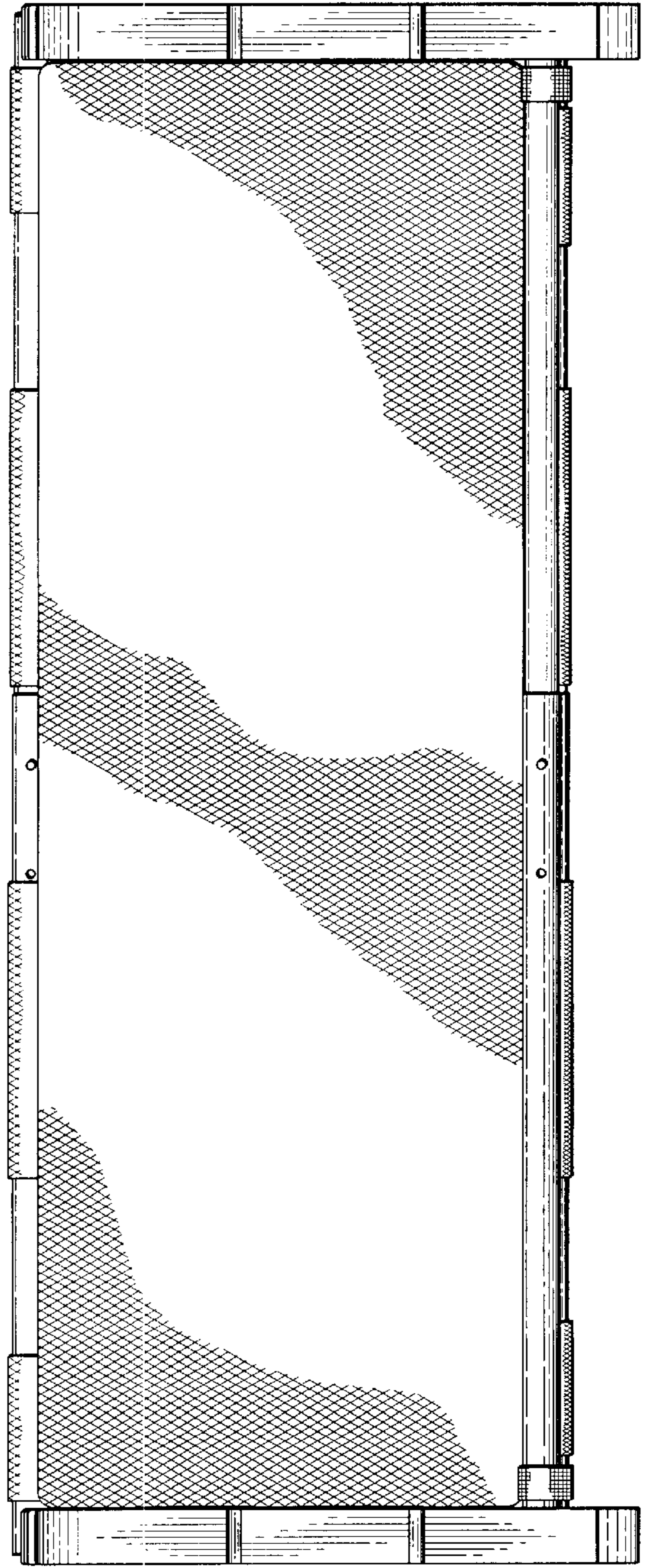


Fig. 6.

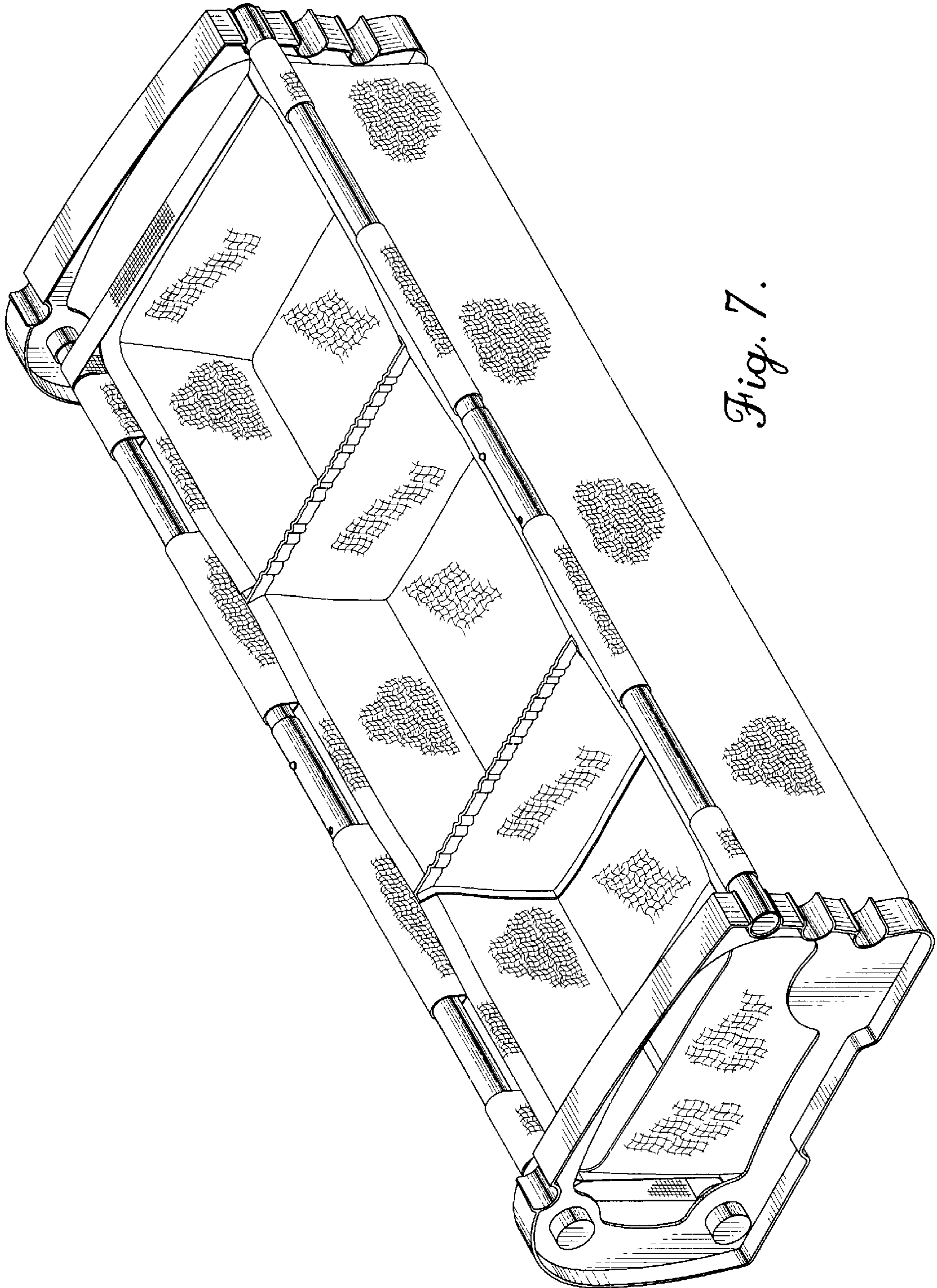


Fig. 7.