



US00D466071S

(12) **United States Design Patent**
Lee

(10) **Patent No.:** **US D466,071 S**

(45) **Date of Patent:** **** Nov. 26, 2002**

(54) **AUTOMOTIVE WHEEL**

(75) **Inventor:** **Seon Kyu Lee, Fullerton, CA (US)**

(73) **Assignee:** **Sancro International, Santa Fe Springs, CA (US)**

(**) **Term:** **14 Years**

(21) **Appl. No.:** **29/158,145**

(22) **Filed:** **Apr. 1, 2002**

(51) **LOC (7) Cl. 12-16**

(52) **U.S. Cl. D12/211**

(58) **Field of Search D12/204-211;**
301/37.1, 64.1, 65

(56) **References Cited**

U.S. PATENT DOCUMENTS

- D383,722 S * 9/1997 Sgalia et al. D12/209
- D412,148 S * 7/1999 Fitzgerald D12/209
- D444,118 S * 6/2001 Chung D12/211

- D448,714 S * 10/2001 Pusdesris et al. D12/211
- D451,875 S * 12/2001 Arellano D12/209
- D455,109 S * 4/2002 Foose D12/211

* cited by examiner

Primary Examiner—Stacia Cadmus

(74) *Attorney, Agent, or Firm*—G. Donald Weber, Jr.

(57) **CLAIM**

The ornamental design for an automotive wheel, as shown and described.

DESCRIPTION

FIG. 1 is an oblique view of the automotive wheel of the instant invention; and, FIG. 2 is a front view of the automotive wheel of the instant invention.

The broken line showing of environment is for illustrative purposes only and forms no part of the claimed design.

1 Claim, 1 Drawing Sheet

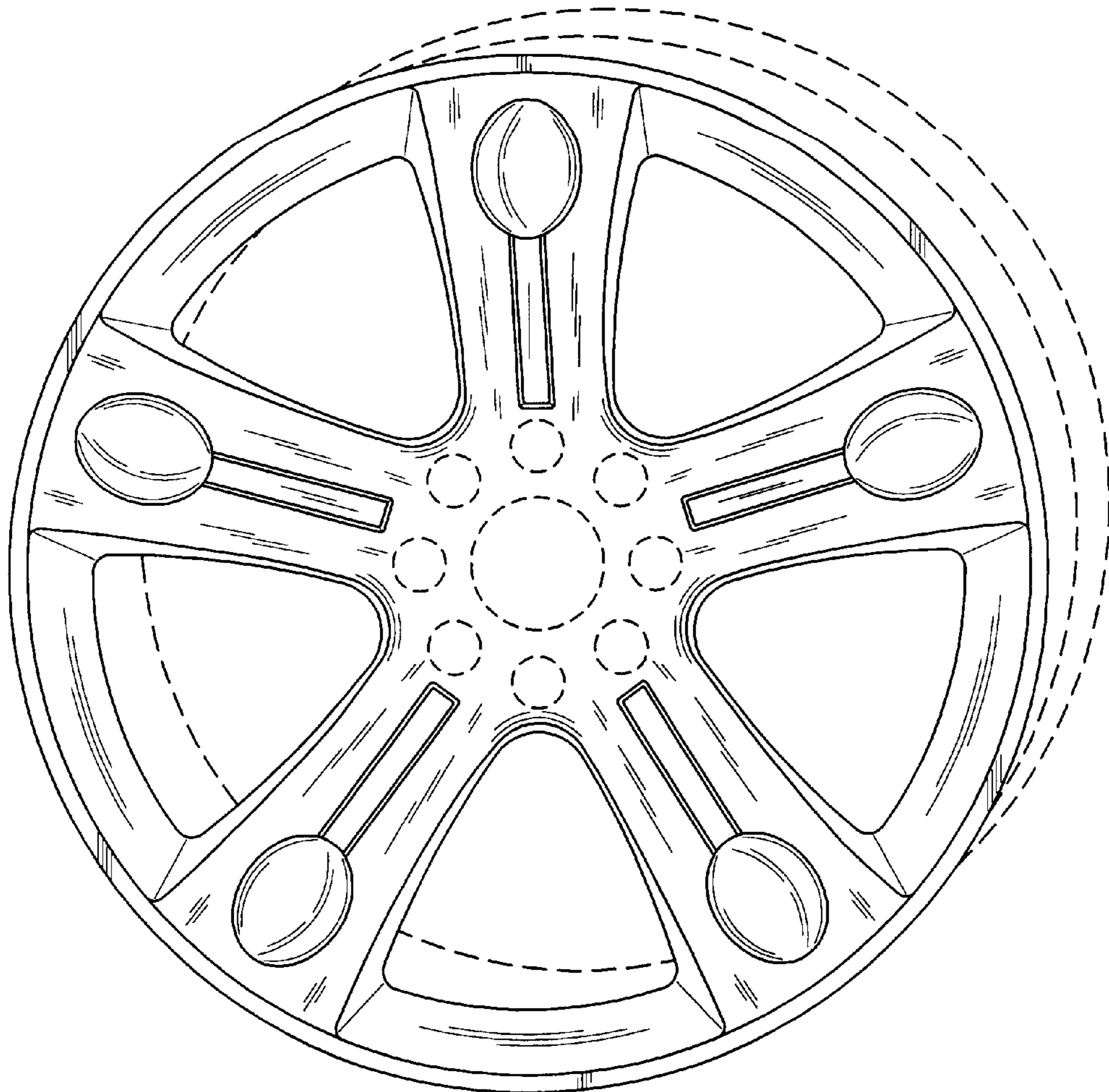


Fig. 1

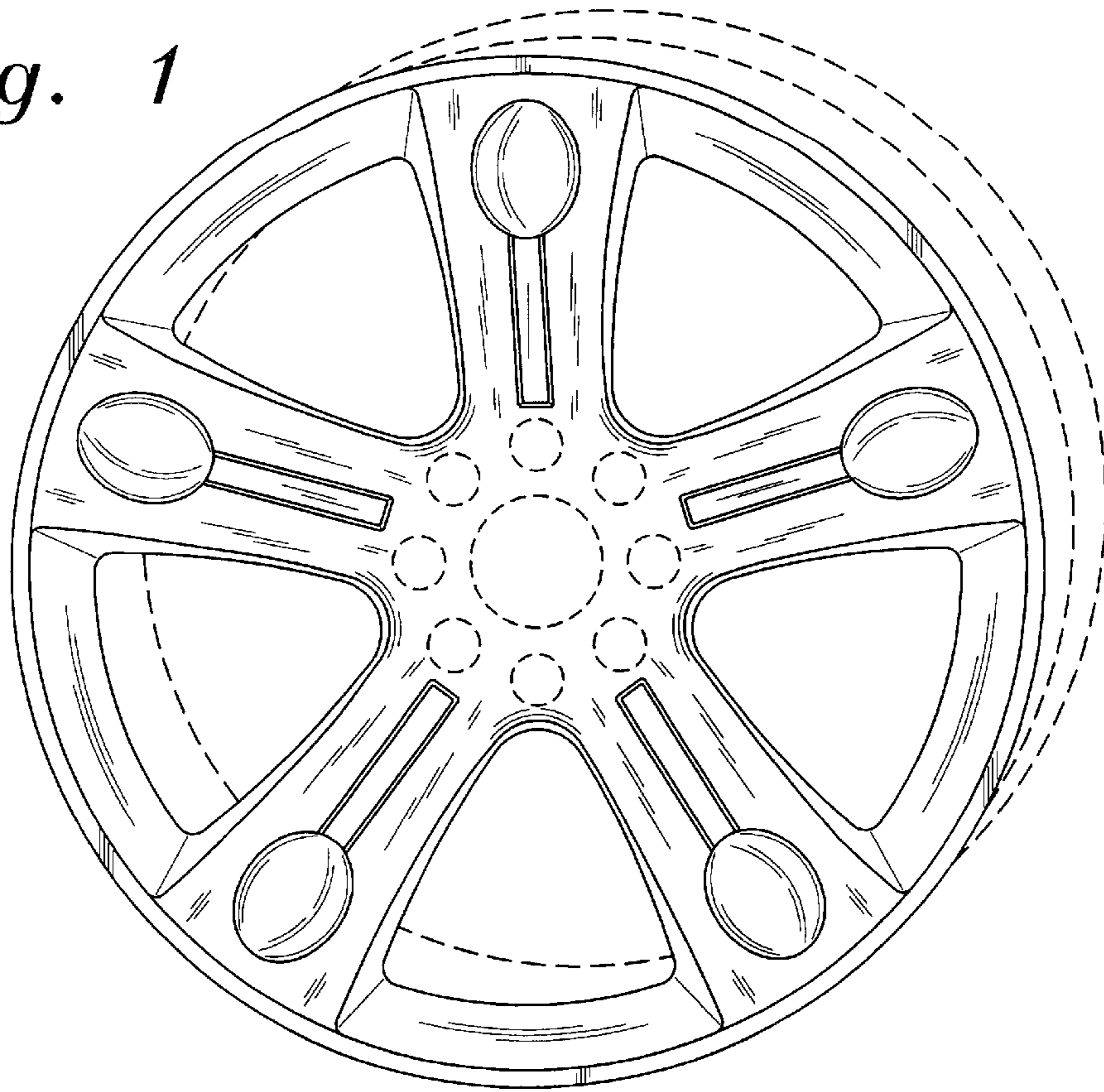


Fig. 2

