



US00D466066S

(12) **United States Design Patent**
Bintoro

(10) **Patent No.:** **US D466,066 S**

(45) **Date of Patent:** **** *Nov. 26, 2002**

(54) **VEHICLE WHEEL**

(75) Inventor: **Sigit Bintoro**, Sidoarjo (ID)

(73) Assignee: **PT Prima Alloy Steel Universal**,
Sidoarjo (ID)

(*) Notice: This patent is subject to a terminal disclaimer.

(**) Term: **14 Years**

(21) Appl. No.: **29/141,513**

(22) Filed: **May 7, 2001**

(51) **LOC (7) Cl.** **12-16**

(52) **U.S. Cl.** **D12/211**

(58) **Field of Search** D12/204-211;
301/37.1, 64.1, 65

D431,807 S	*	10/2000	Fitzgerald	D12/211
D432,069 S	*	10/2000	Chung	D12/209
D436,340 S	*	1/2001	Kaucher	D12/209
D439,212 S	*	3/2001	Neeper	D12/211
D440,198 S	*	4/2001	Ivanova et al.	D12/209
D452,840 S	*	1/2002	Hall	D12/211
D454,325 S	*	3/2002	Hieke	D12/209
D455,109 S	*	4/2002	Foose	D12/211
D456,335 S	*	4/2002	Chung	D12/211

* cited by examiner

Primary Examiner—Stacia Cadmus

(74) *Attorney, Agent, or Firm*—Fulwider, Patton, Lee & Utecht, LLP

(57) **CLAIM**

The ornamental design for the “vehicle wheel”, as shown and described.

DESCRIPTION

FIG. 1 is a perspective view of the vehicle wheel showing my new design;

FIG. 2 is a front elevational view thereof; and,

FIG. 3 is a sectional view taken along line 3—3 in FIG. 2.

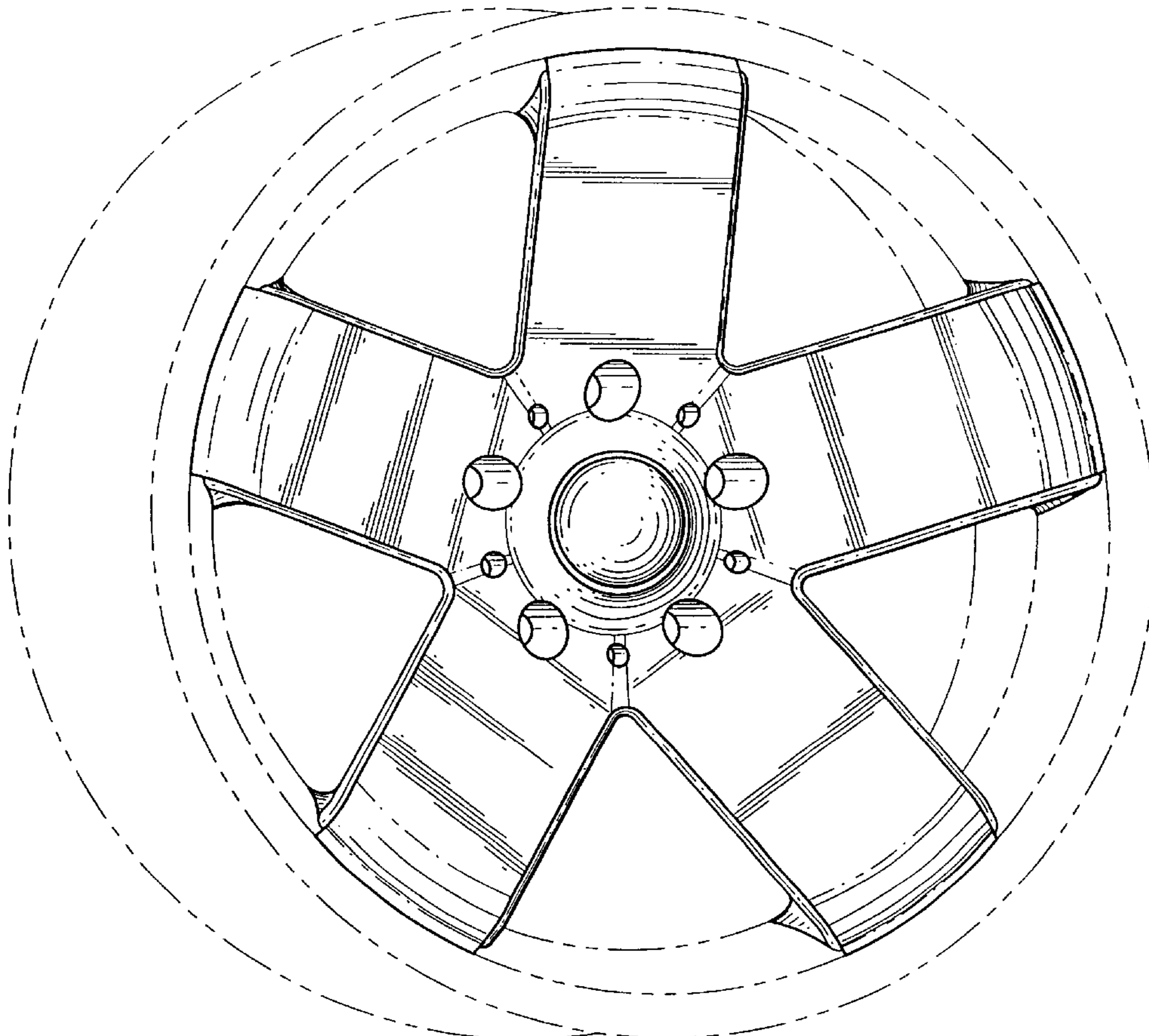
The broken line showing of environment is for illustrative purposes only and forms no part of the claimed design.

1 Claim, 2 Drawing Sheets

(56) **References Cited**

U.S. PATENT DOCUMENTS

D277,661 S	*	2/1985	Cafaro et al.	D12/211
D284,182 S	*	6/1986	Hedlund	D12/211
D336,886 S	*	6/1993	Mikawa	D12/211
D411,501 S	*	6/1999	Cullen	D12/209
D421,590 S	*	3/2000	Sacco et al.	D12/209
D422,257 S	*	4/2000	Pruden	D12/209



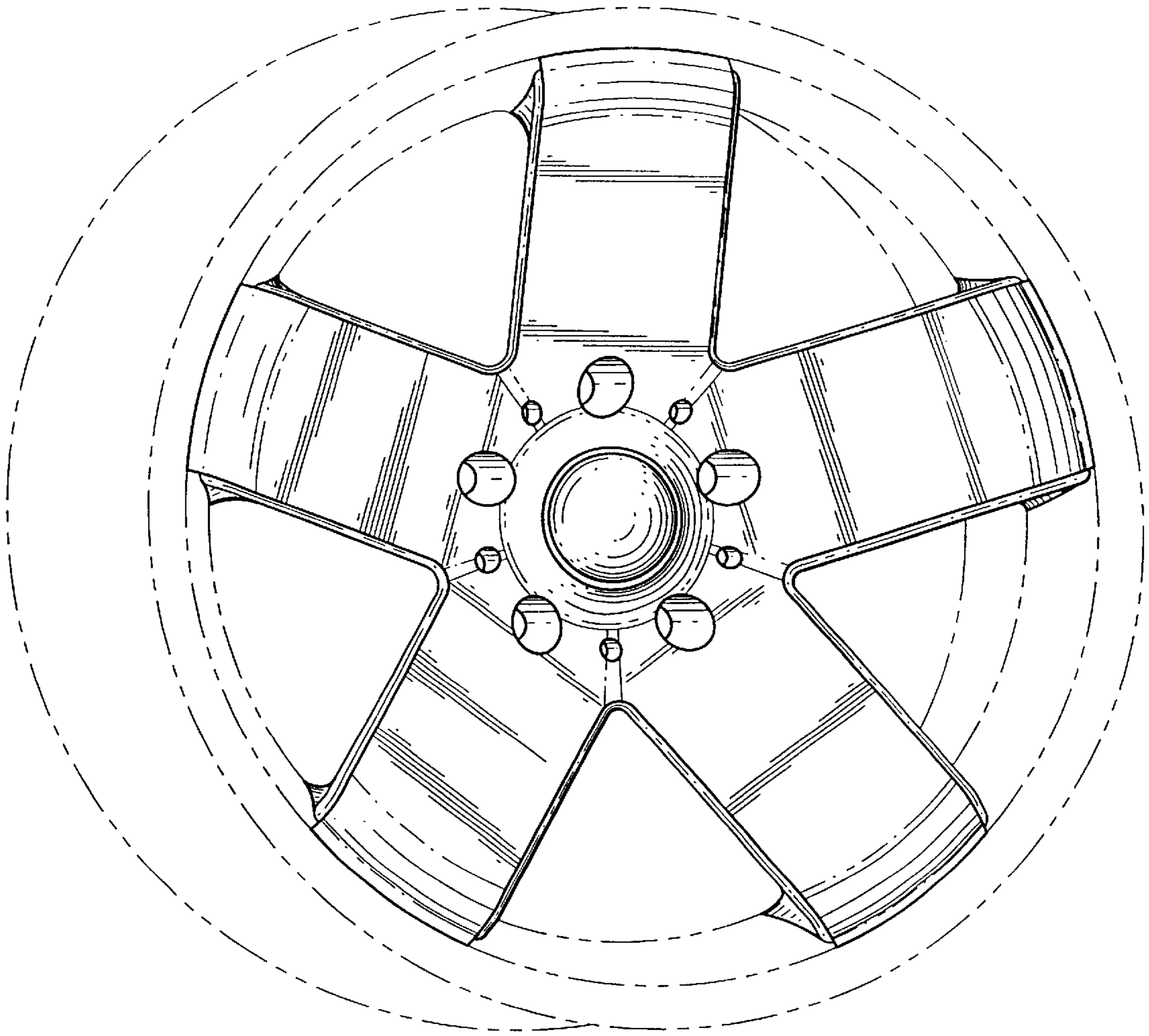


FIG. 1

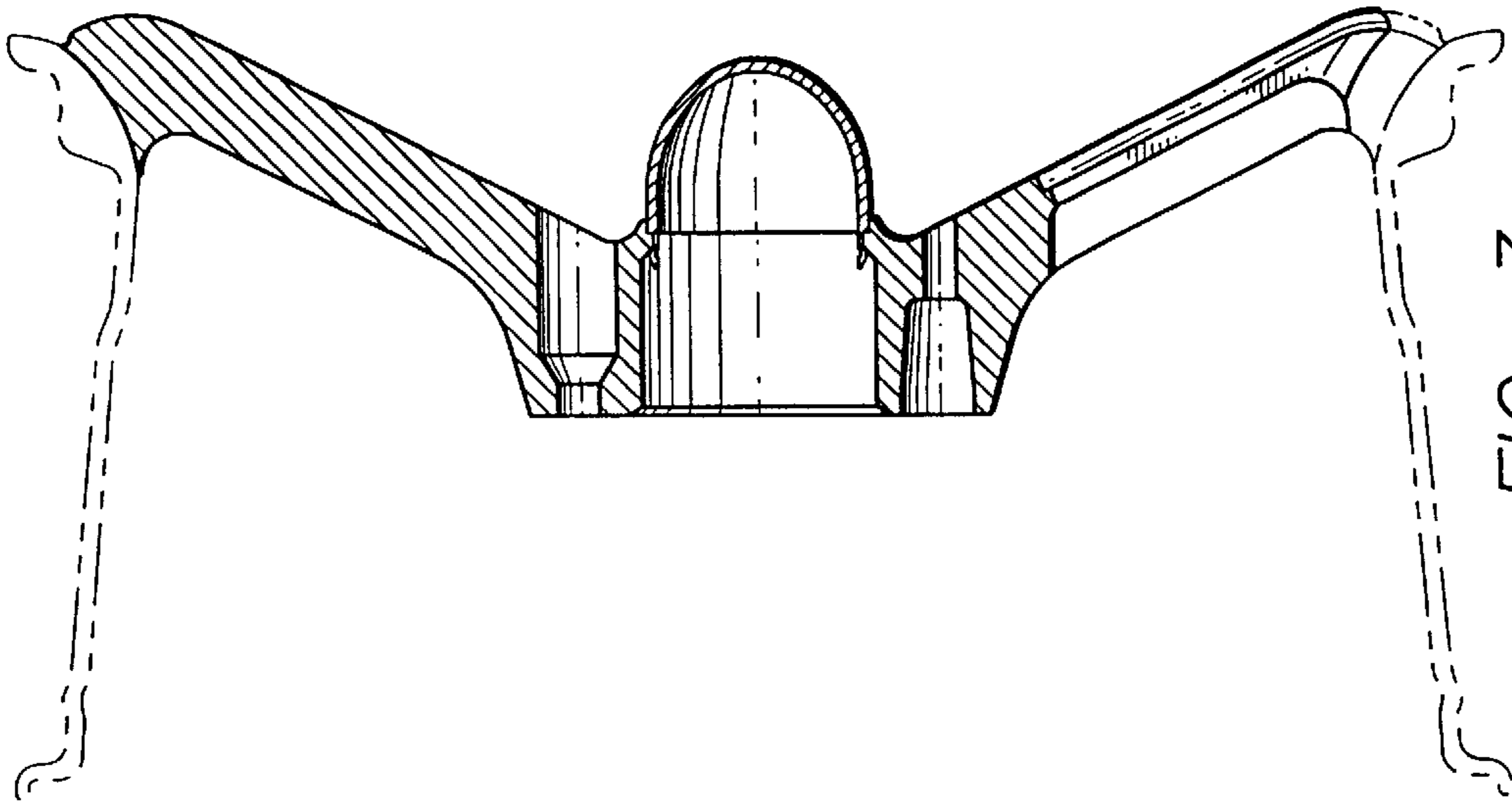


FIG. 3

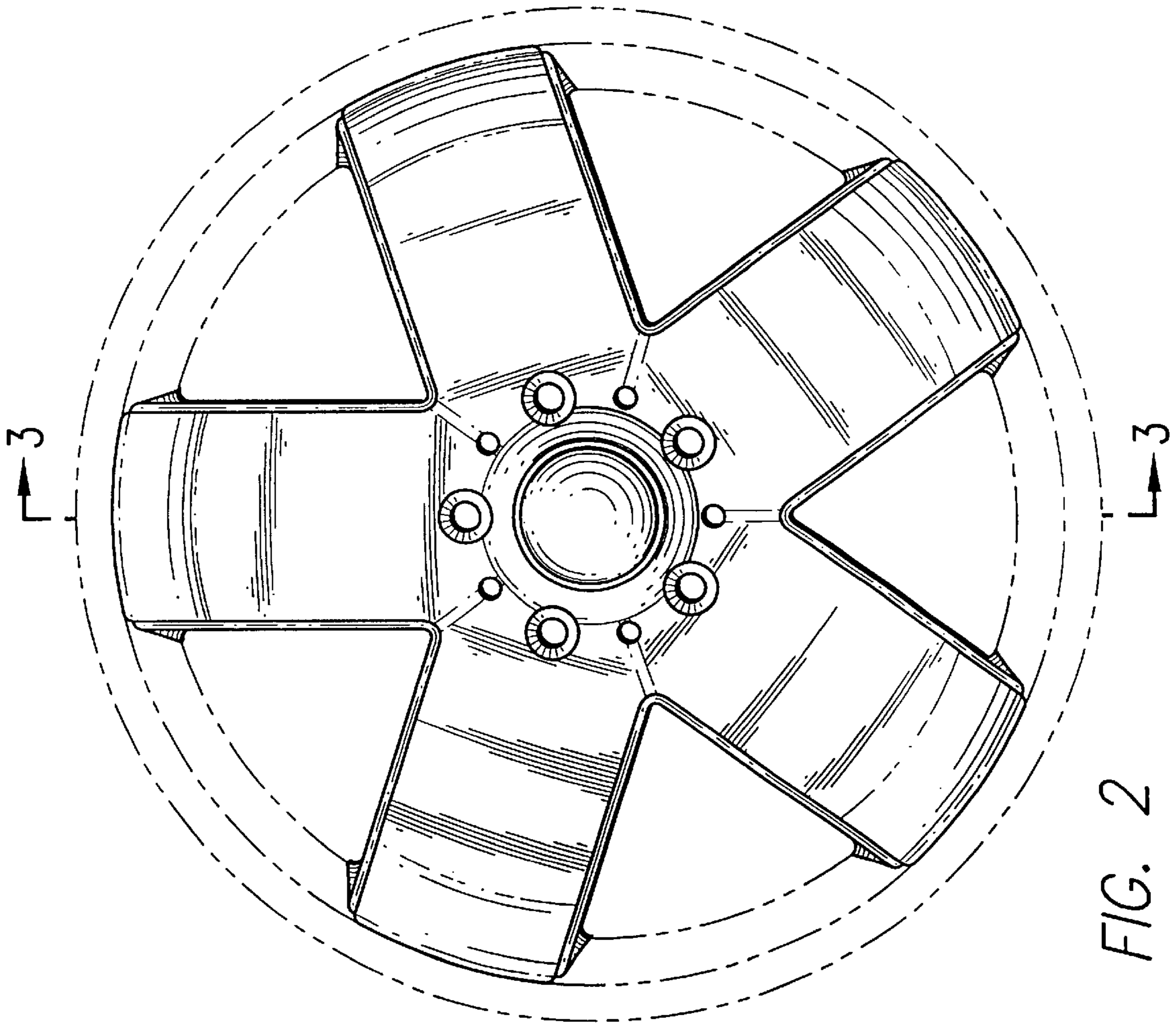


FIG. 2