



US00D466065S

(12) **United States Design Patent**  
**Lee**

(10) **Patent No.:** **US D466,065 S**

(45) **Date of Patent:** **\*\* Nov. 26, 2002**

(54) **AUTOMOTIVE WHEEL**

(75) **Inventor:** **Seon Kyu Lee**, Fullerton, CA (US)

(73) **Assignee:** **Sancro International**, Sante Fe Springs, CA (US)

(\*\*) **Term:** **14 Years**

(21) **Appl. No.:** **29/158,144**

(22) **Filed:** **Apr. 1, 2002**

(51) **LOC (7) Cl.** ..... **12-16**

(52) **U.S. Cl.** ..... **D12/209**

(58) **Field of Search** ..... D12/204-211;  
301/37.1, 64.1, 65

D448,716 S	*	10/2001	Ong	.....	D12/211
D454,823 S	*	3/2002	McMath	.....	D12/209
D454,824 S	*	3/2002	McMath	.....	D12/209
D455,109 S	*	4/2002	Foose	.....	D12/211
D455,387 S	*	4/2002	McMath	.....	D12/209
D455,703 S	*	4/2002	Foose	.....	D12/211
D457,116 S	*	5/2002	Brintouch	.....	D12/209
D457,117 S	*	5/2002	McMath	.....	D12/209

\* cited by examiner

*Primary Examiner*—Stacia Cadmus

(74) *Attorney, Agent, or Firm*—G. Donald Weber, Jr.

(57) **CLAIM**

The ornamental design for an automotive wheel, as shown and described.

**DESCRIPTION**

FIG. 1 is an oblique view of the automotive wheel of the instant invention; and,

FIG. 2 is a front view of the automotive wheel of the instant invention.

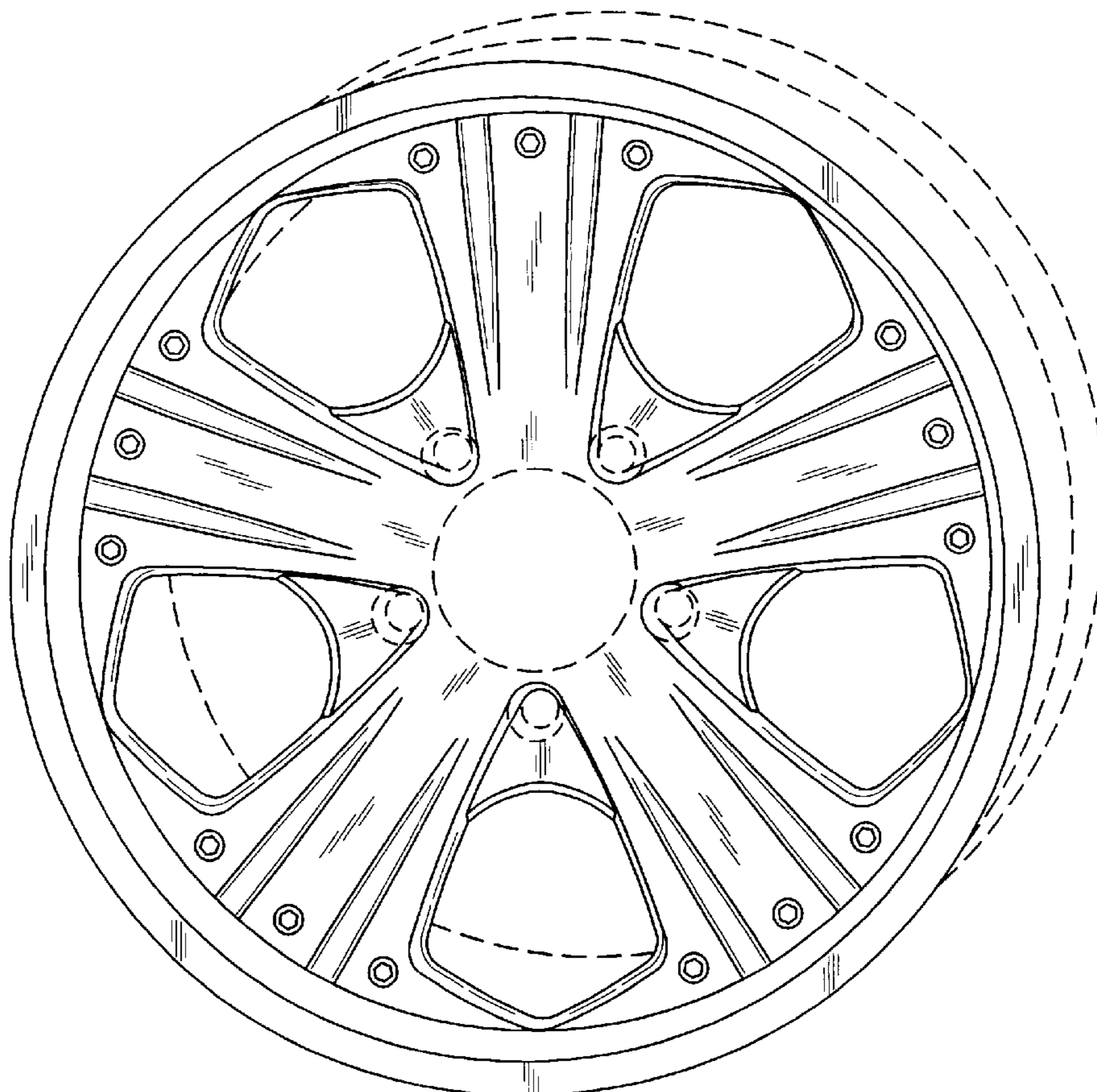
The broken line showing of environment is for illustrative purposes only and forms no part of the claimed design.

(56) **References Cited**

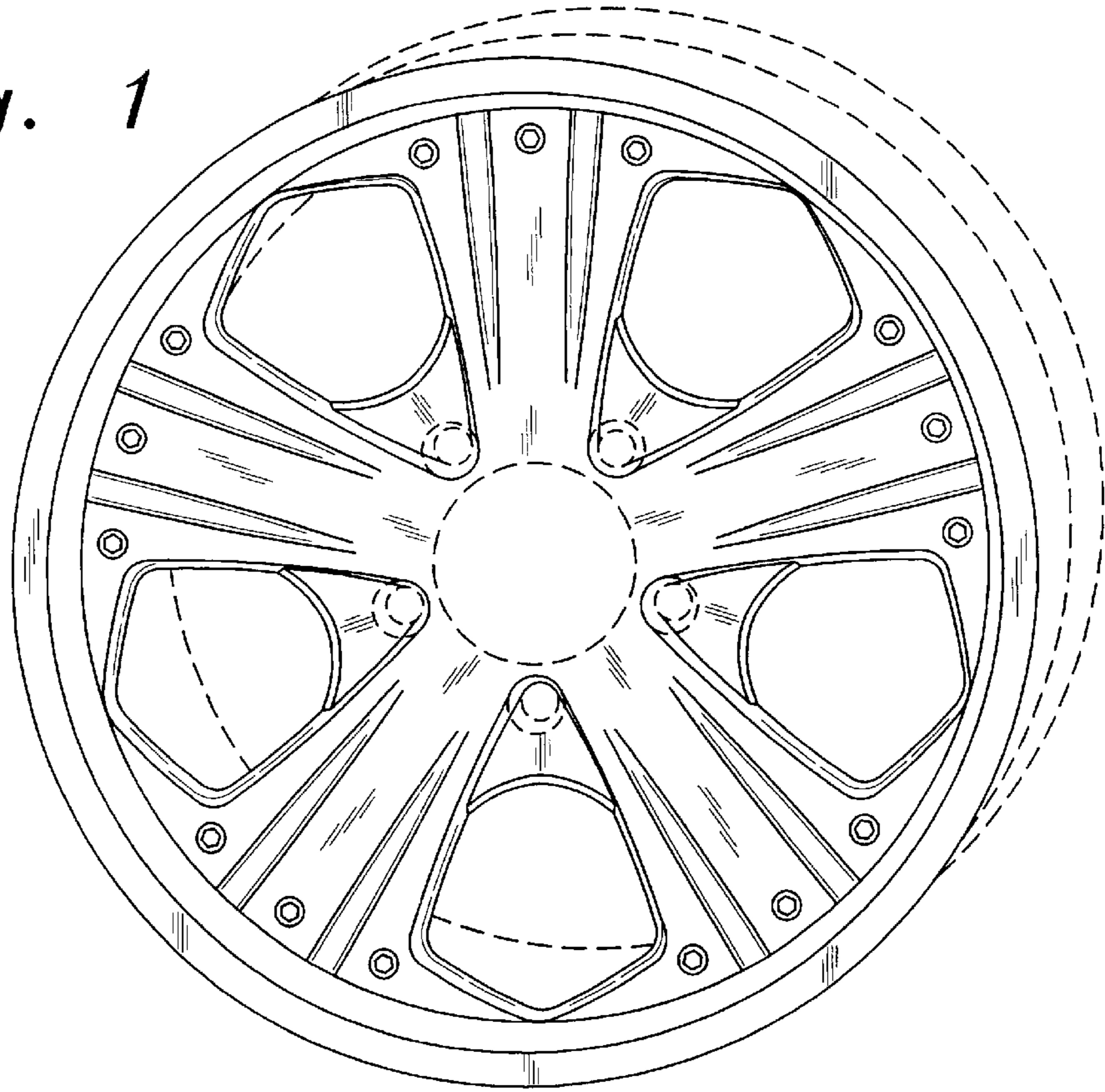
**U.S. PATENT DOCUMENTS**

D411,501 S	*	6/1999	Cullen	.....	D12/209
D423,442 S	*	4/2000	Hussaini et al.	.....	D12/209
D428,594 S	*	7/2000	Neeper	.....	D12/209
D431,517 S	*	10/2000	Donikoglu	.....	D12/209
D442,535 S	*	5/2001	Lotson	.....	D12/209
D444,118 S	*	6/2001	Chung	.....	D12/211
D448,713 S	*	10/2001	Ong	.....	D12/209

**1 Claim, 1 Drawing Sheet**



*Fig. 1*



*Fig. 2*

