



US00D466064S

(12) **United States Design Patent**
Lee

(10) **Patent No.:** **US D466,064 S**

(45) **Date of Patent:** **** Nov. 26, 2002**

(54) **AUTOMOTIVE WHEEL**

(75) **Inventor:** **Seon Kyu Lee, Fullerton, CA (US)**

(73) **Assignee:** **Sanco International, Sante Fe Springs, CA (US)**

(**) **Term:** **14 Years**

(21) **Appl. No.:** **29/158,143**

(22) **Filed:** **Apr. 1, 2002**

(51) **LOC (7) Cl.** **12-16**

(52) **U.S. Cl.** **D12/209**

(58) **Field of Search** **D12/204-211;**
301/37.1, 64.1, 65

(56) **References Cited**

U.S. PATENT DOCUMENTS

D235,252 S	*	6/1975	May	D12/211
D302,146 S	*	7/1989	Black	D12/211
D360,179 S	*	7/1995	Fuller	D12/211
D407,055 S	*	3/1999	Kelley	D12/209
D416,531 S	*	11/1999	Gabath	D12/209

D416,533 S	*	11/1999	Sulahian	D12/211
D423,444 S	*	4/2000	Hussaini et al.	D12/209
D435,822 S	*	1/2001	Neeper	D12/209
D435,823 S	*	1/2001	Fitzgerald	D12/211
D438,161 S	*	2/2001	Ong	D12/209
D451,462 S	*	12/2001	Donikoglu	D12/209

* cited by examiner

Primary Examiner—Stacia Cadmus

(74) *Attorney, Agent, or Firm*—G. Donald Weber, Jr.

(57) **CLAIM**

The ornamental design for an automotive wheel, as shown and described.

DESCRIPTION

FIG. 1 is an oblique view of the automotive wheel of the instant invention; and,

FIG. 2 is a front view of the automotive wheel of the instant invention.

The broken line showing of environment is for illustrative purposes only and forms no part of the claimed design.

1 Claim, 1 Drawing Sheet

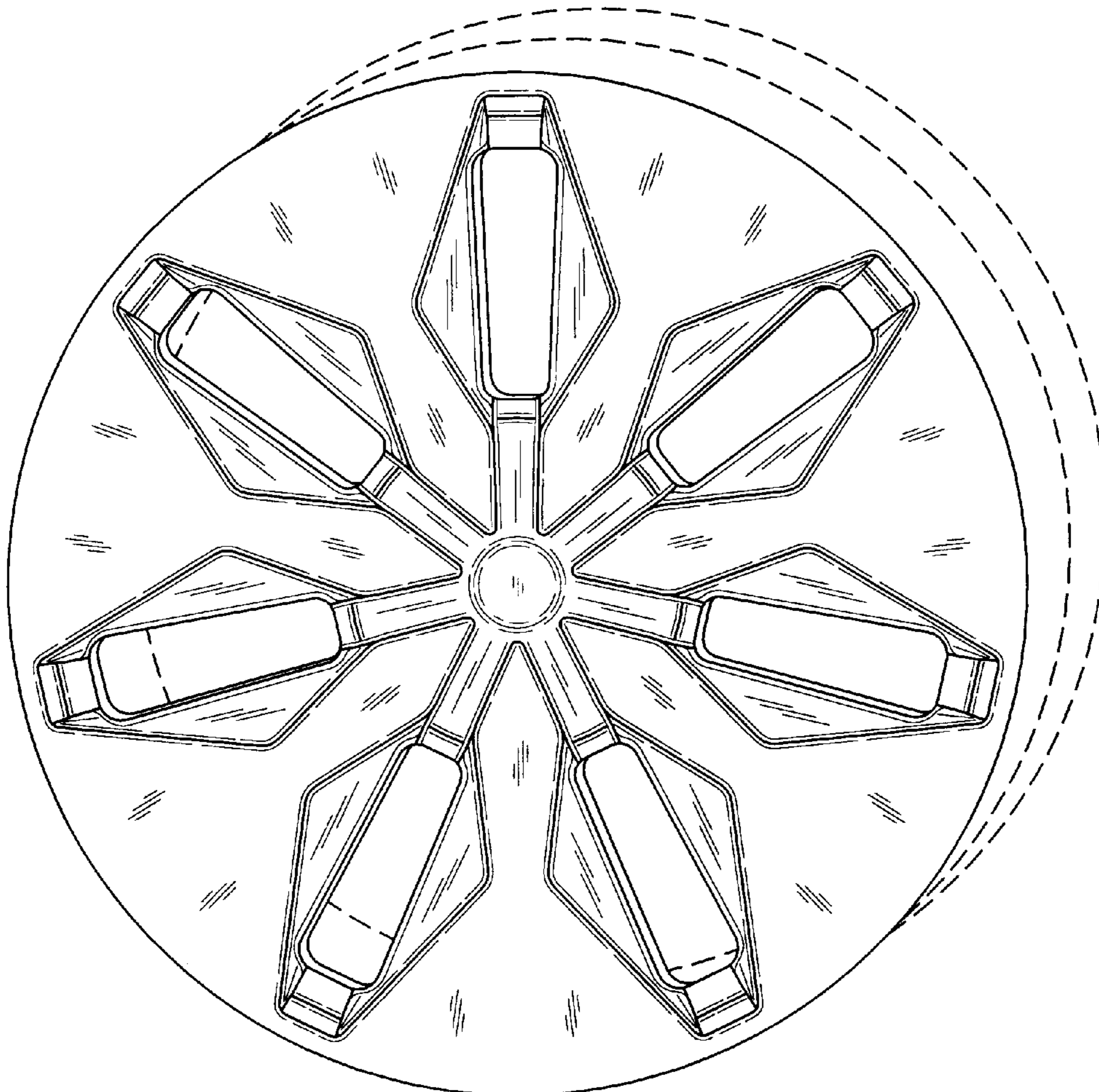


Fig. 1

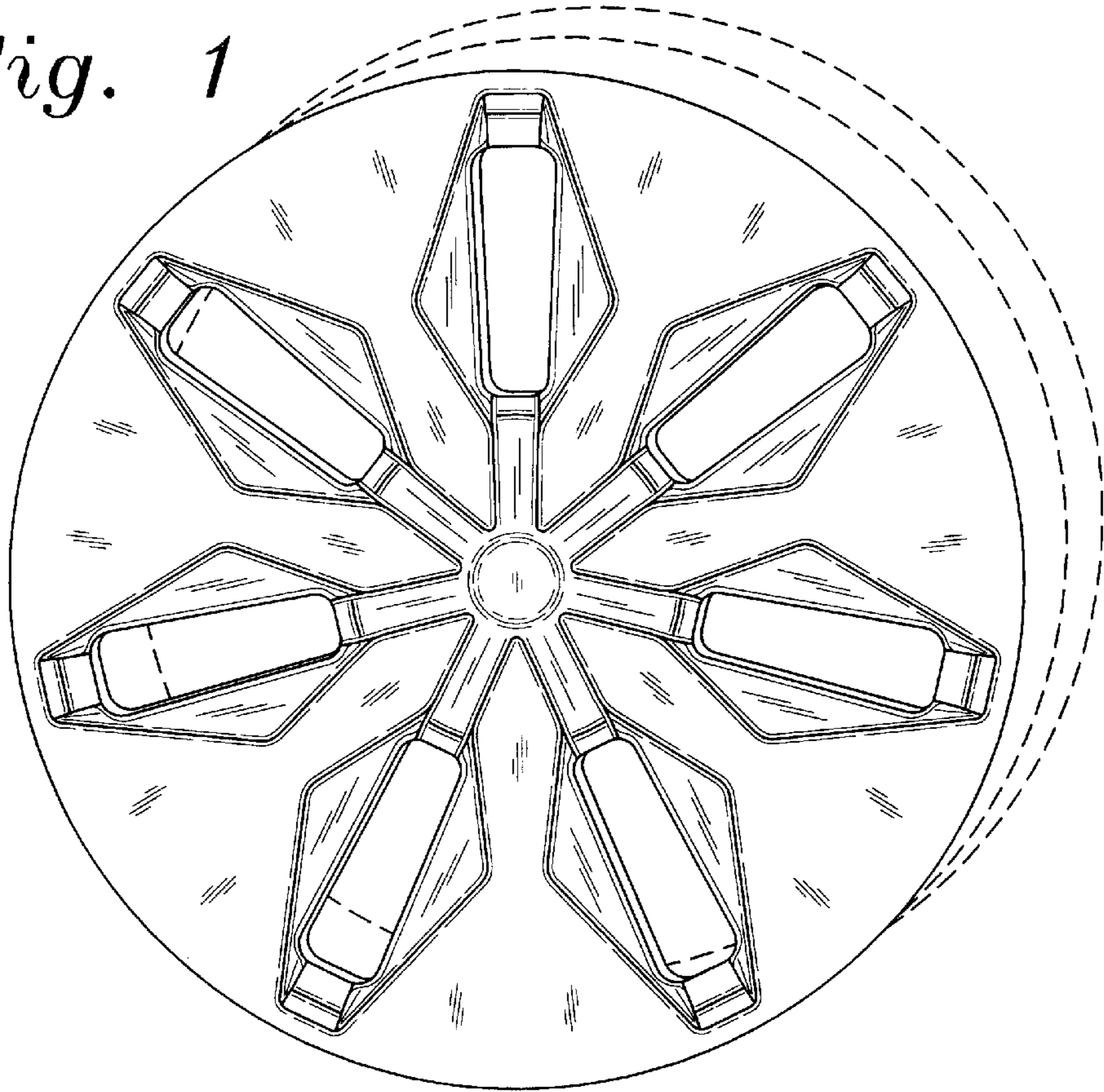


Fig. 2

