



US00D466057S

(12) **United States Design Patent**
Hapgood

(10) **Patent No.:** **US D466,057 S**

(45) **Date of Patent:** **** Nov. 26, 2002**

(54) **TRANSPARENT AUTOMOBILE HOOD**

(76) **Inventor:** **Robert F. Hapgood**, 3747 Convoy St.
#B, San Diego, CA (US) 92111

(**) **Term:** **14 Years**

(21) **Appl. No.:** **29/141,559**

(22) **Filed:** **May 10, 2001**

(51) **LOC (7) Cl.** **12-16**

(52) **U.S. Cl.** **D12/173**

(58) **Field of Search** D12/173, 90-92;
180/69.21, 69.2, 69.22, 69.25

(56) **References Cited**

U.S. PATENT DOCUMENTS

D387,315 S	*	12/1997	Laguay et al.	D12/173
D429,670 S	*	8/2000	Hoyle, Jr.	D12/173
D444,747 S	*	7/2001	Pfeiffer	D12/173

* cited by examiner

Primary Examiner—Melody N. Brown

(74) *Attorney, Agent, or Firm*—Steven W. Webb

(57) **CLAIM**

The ornamental design for a transparent automobile hood, as shown and described.

DESCRIPTION

The automobile hood is made of transparent material, is overall smooth in its surface, and has no decoration.

FIG. 1 is a perspective view of a transparent automobile hood, the automobile shown in broken lines is for illustrative purposes only and forms no part of the claimed design.

FIG. 2 is a top plan view of the automobile hood.

FIG. 3 is a left side view of the automobile hood.

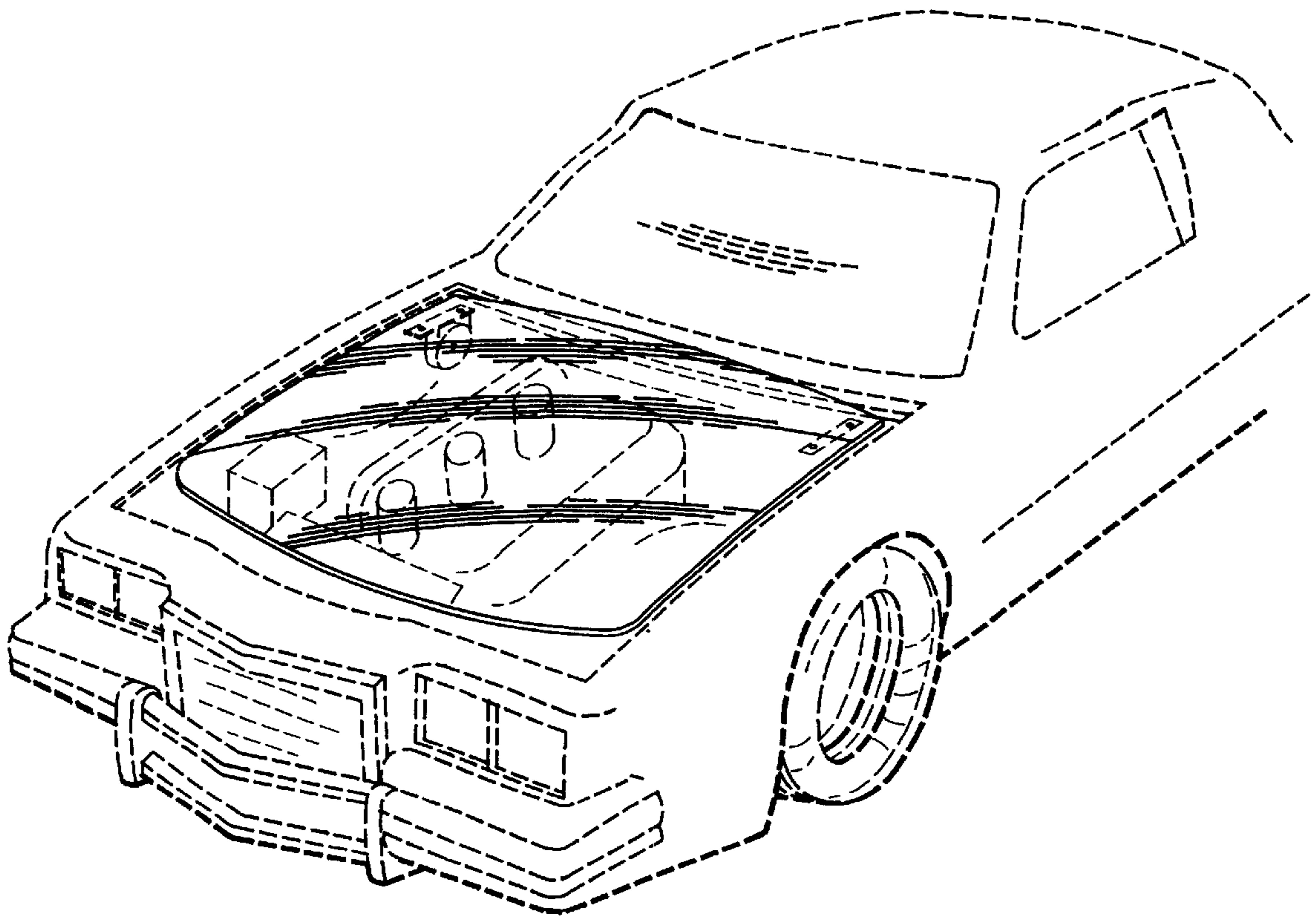
FIG. 4 is a right side view of the automobile hood.

FIG. 5 is a bottom plan view of the automobile hood.

FIG. 6 is a rear view of the automobile hood; and,

FIG. 7 is a front view of the automobile hood.

1 Claim, 2 Drawing Sheets



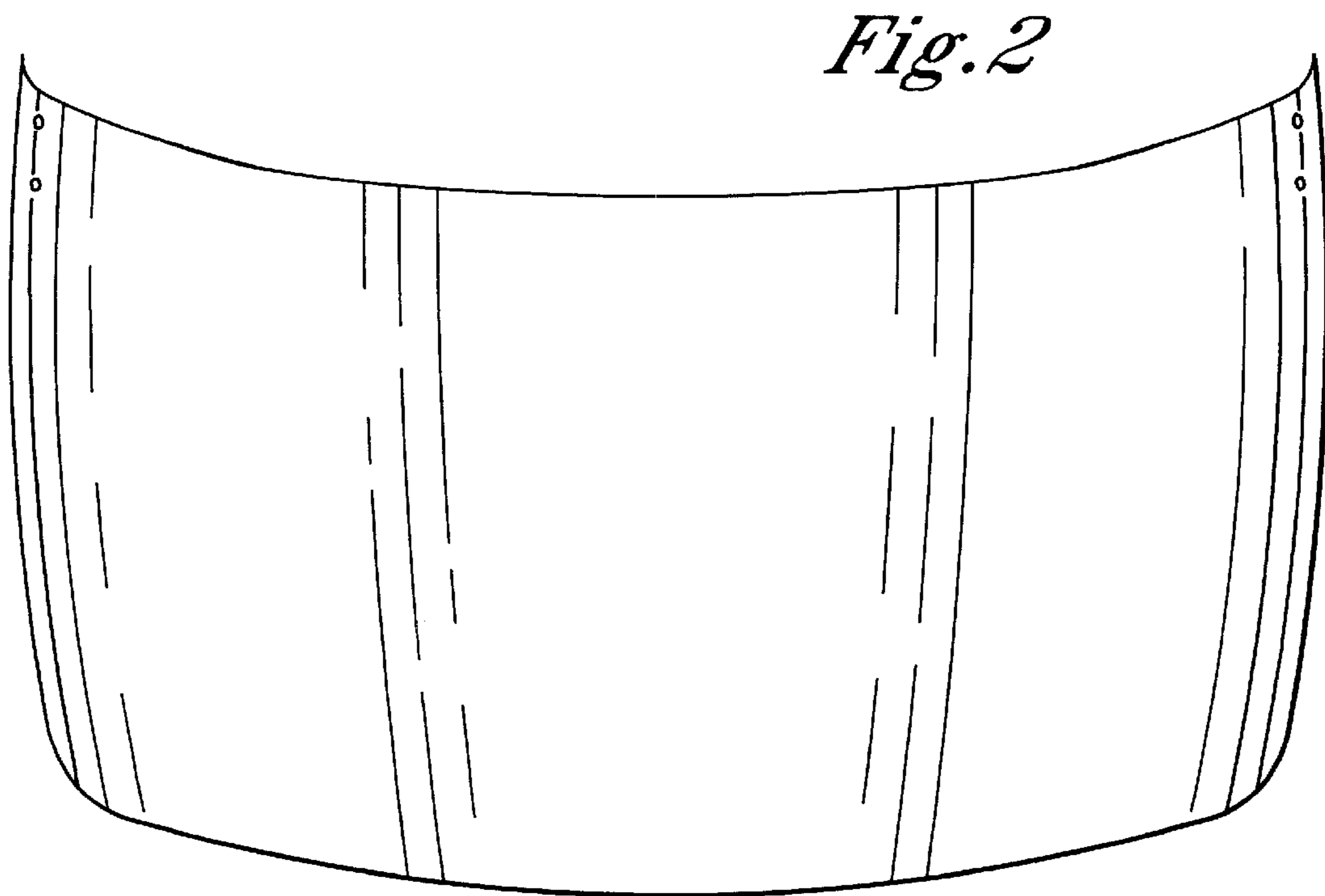
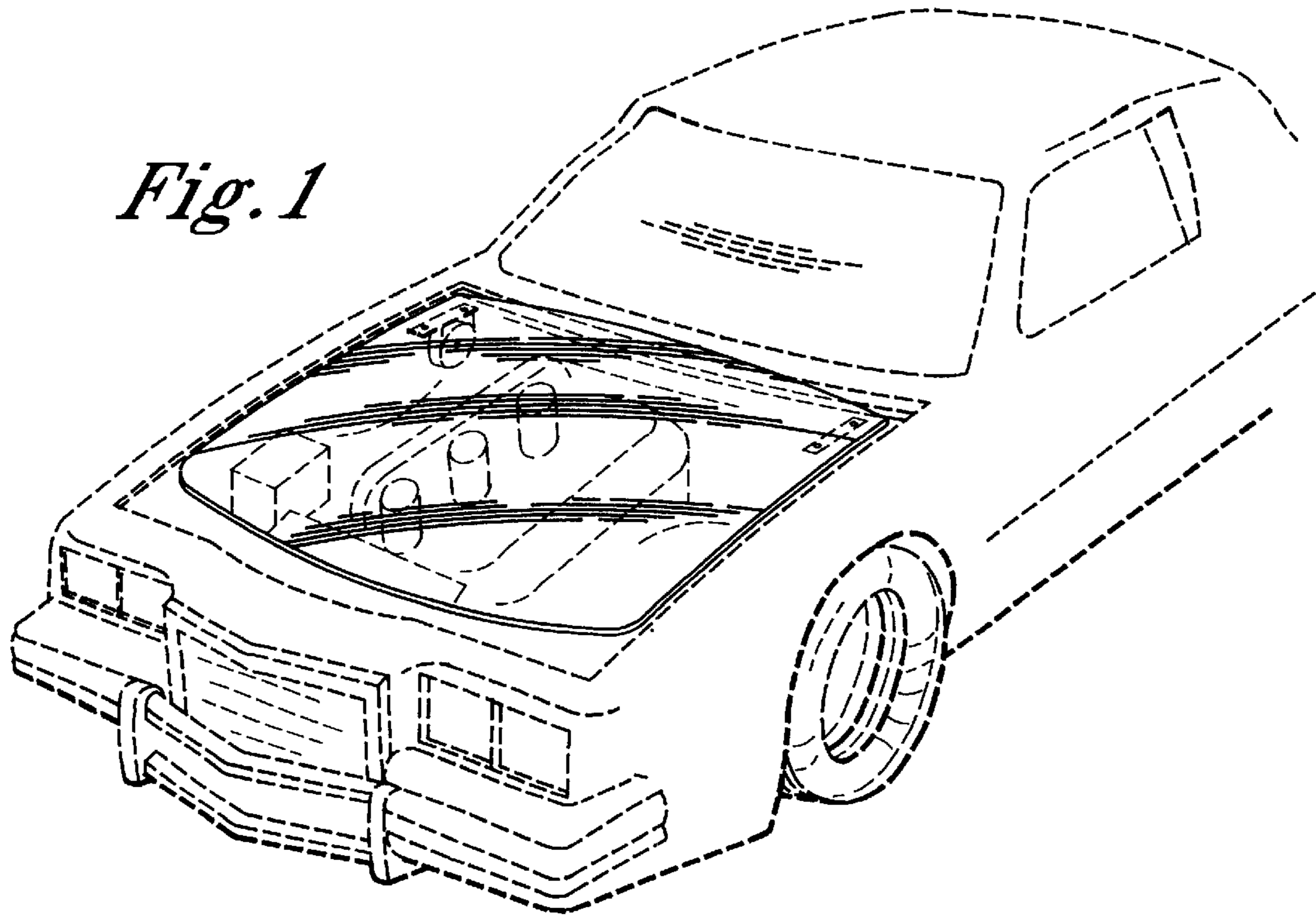


Fig. 3

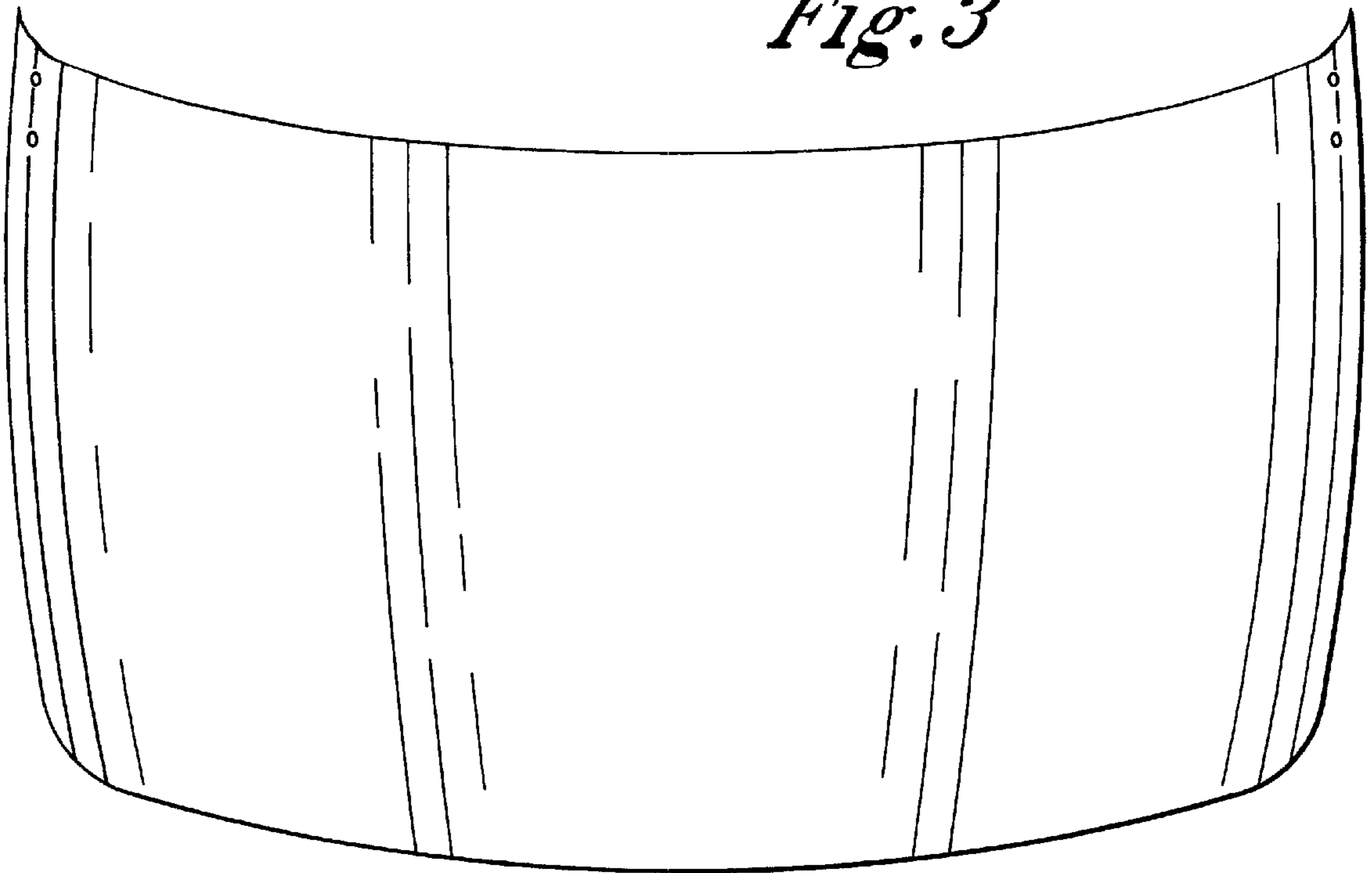


Fig. 4

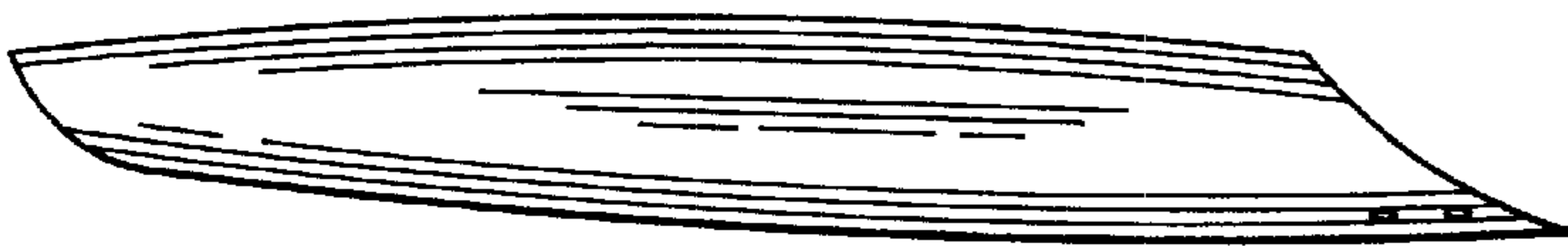


Fig. 5

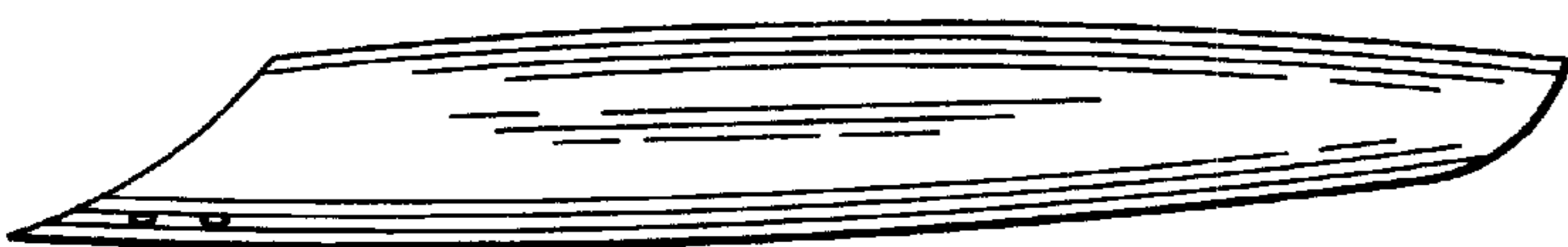


Fig. 6

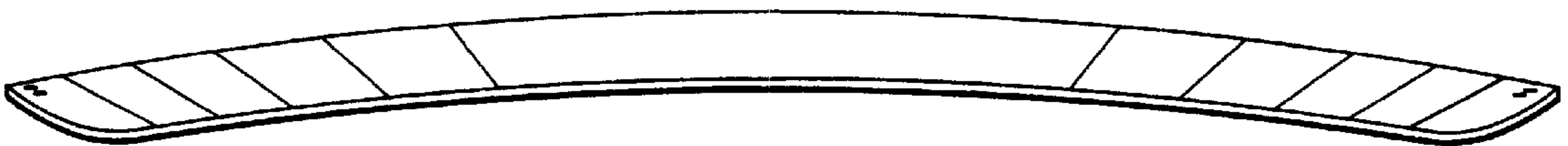


Fig. 7

