



US00D466056S

(12) **United States Design Patent**
Bulger

(10) **Patent No.:** **US D466,056 S**

(45) **Date of Patent:** **** Nov. 26, 2002**

(54) **CALIPER INSERT FOR MOTORCYCLES**

(76) Inventor: **George F. Bulger**, 45 Manchester Rd.,
Eastchester, NY (US) 10709

(**) Term: **14 Years**

(21) Appl. No.: **29/147,059**

(22) Filed: **Aug. 23, 2001**

Related U.S. Application Data

(62) Division of application No. 29/126,147, filed on Jul. 10,
2000, now Pat. No. Des. 450,016.

(51) **LOC (7) Cl.** **12-11**

(52) **U.S. Cl.** **D12/126**

(58) **Field of Search** D12/110, 114,
D12/126, 174, 179, 180; 180/219, 370;
188/24.11, 73.31, 18 A, 218 A, 344; 280/288.4

(56) **References Cited**

U.S. PATENT DOCUMENTS

D291,189 S * 8/1987 Stahel D12/126
D377,774 S * 2/1997 Davidson et al. D12/126

OTHER PUBLICATIONS

Drag Specialties 1999 Fat Book, caliper inserts on p. 518.*
Harley-Davidson ® 2001 Genuine Motor Accessories and
Genuine Motor Parts catalog, caliper inserts on p. 334.*

* cited by examiner

Primary Examiner—Alan P. Douglas

Assistant Examiner—Linda Brooks

(74) *Attorney, Agent, or Firm*—Scully, Scott, Murphy &
Presser

(57) **CLAIM**

The ornamental design for a caliper insert for motorcycles,
as shown and described.

DESCRIPTION

FIG. 1 is a perspective view showing my new and orna-
mental design;
FIG. 2 is a top plan view thereof;
FIG. 3 is a bottom plan view thereof;
FIG. 4 is a front view thereof;
FIG. 5 is an opposite view thereof;
FIG. 6 is an end view thereof, the opposite end being a
mirror-image; and,
FIG. 7 is a sectional view taken along line 7—7 in FIG. 2.

1 Claim, 1 Drawing Sheet

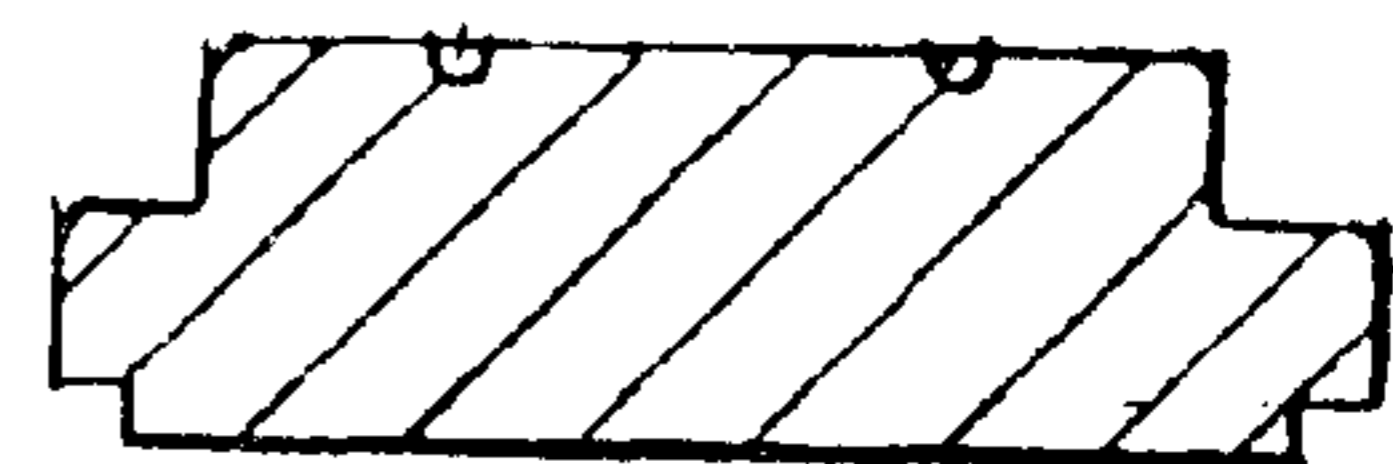
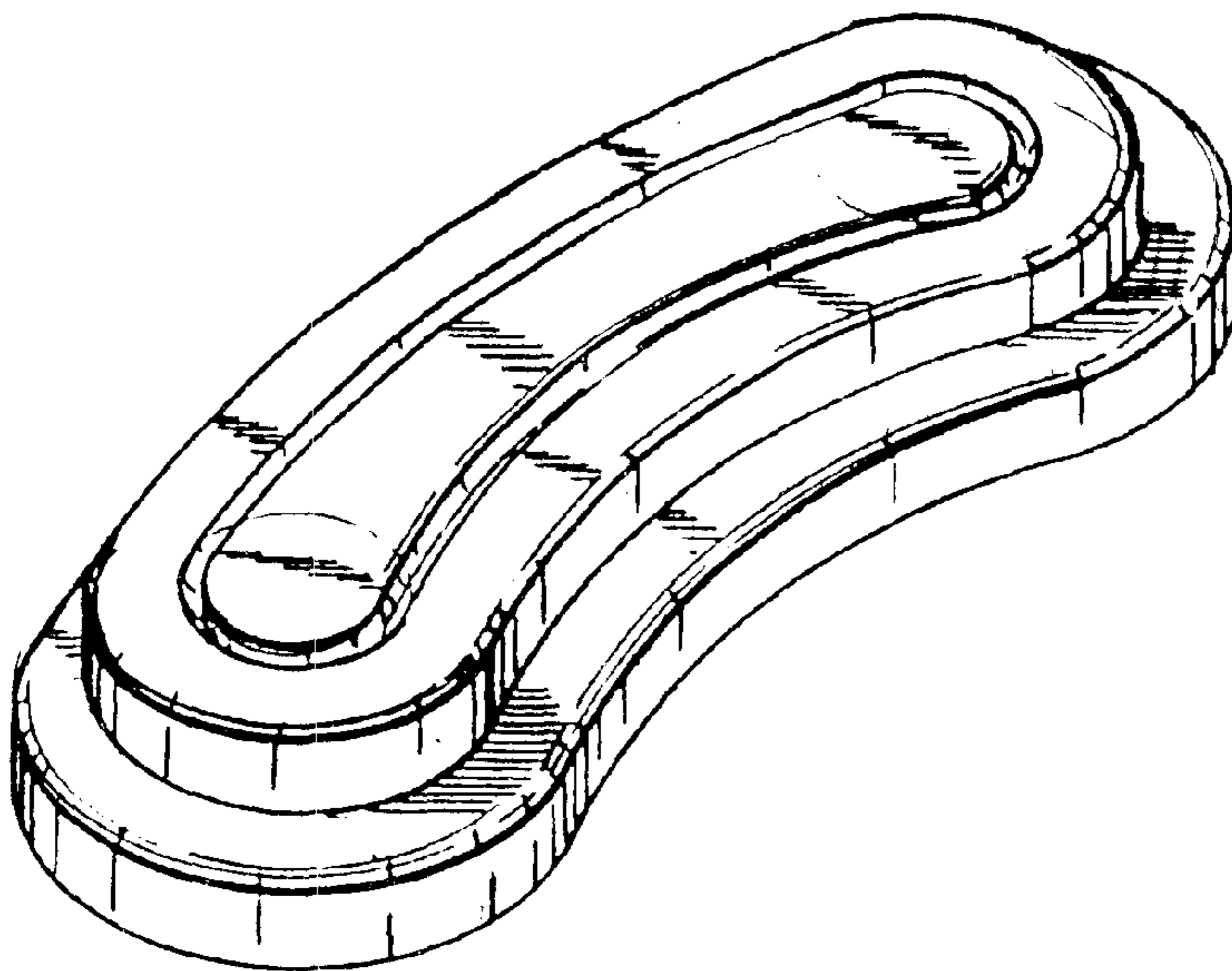


FIG. 1

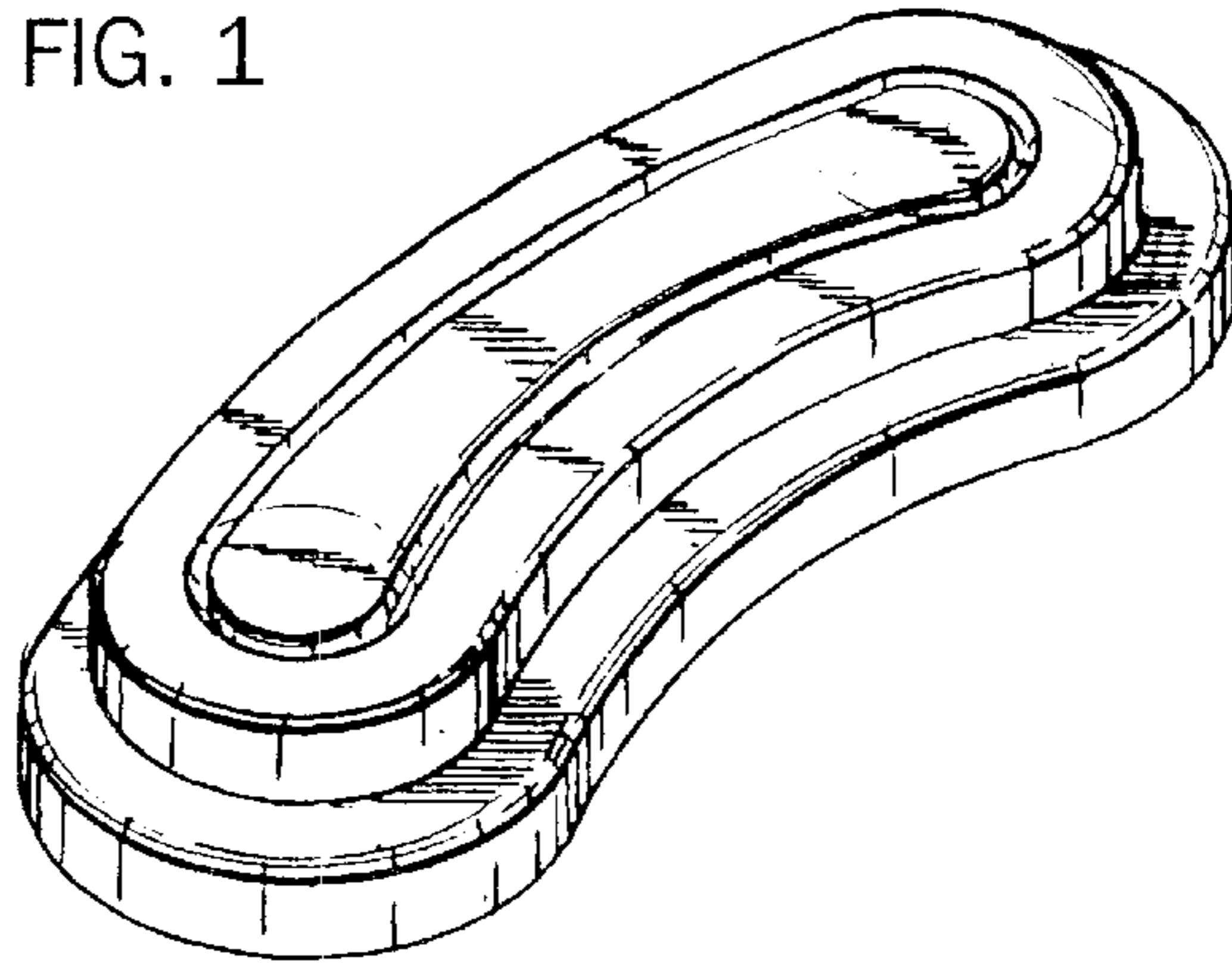


FIG. 2

FIG. 3

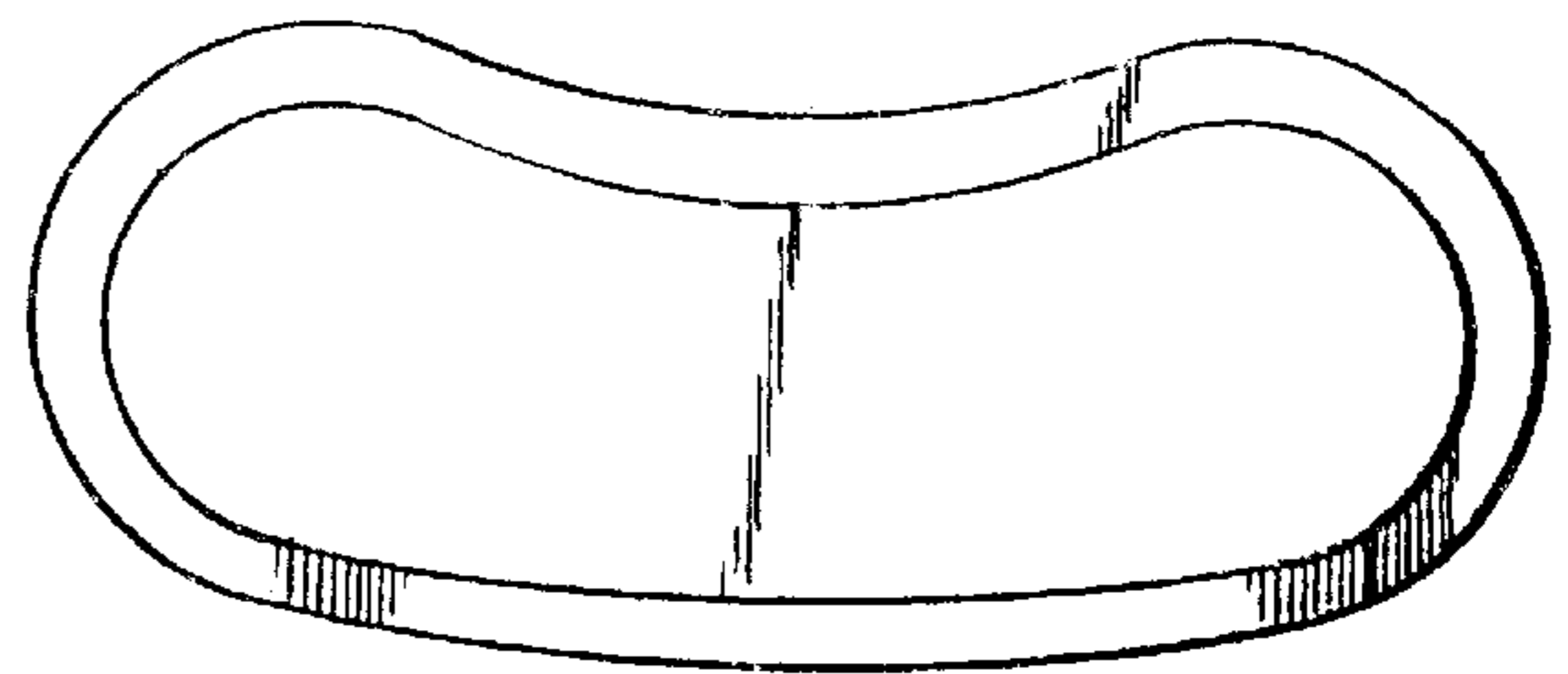


FIG. 4

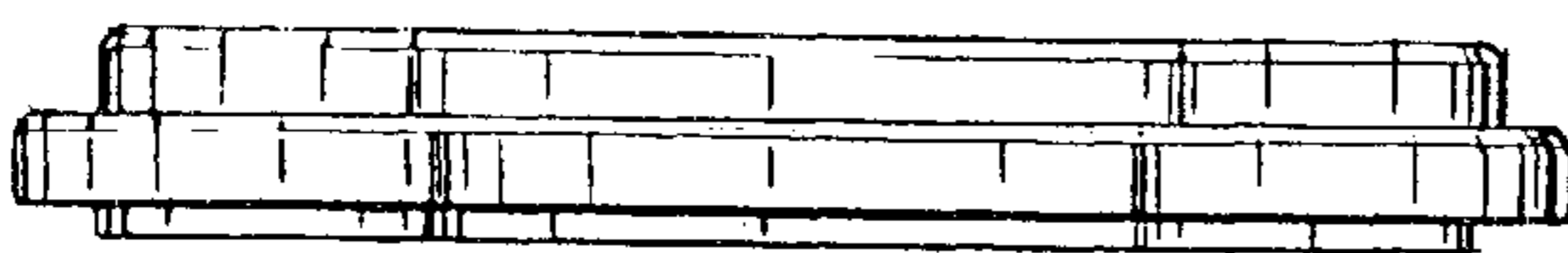


FIG. 5

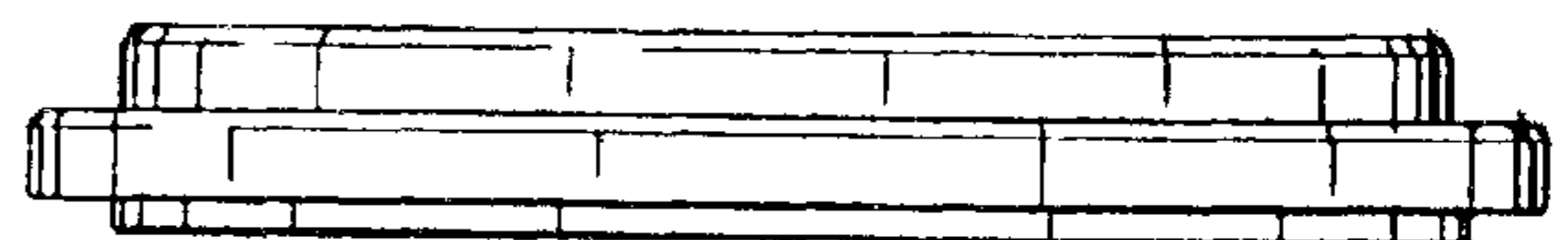


FIG. 6

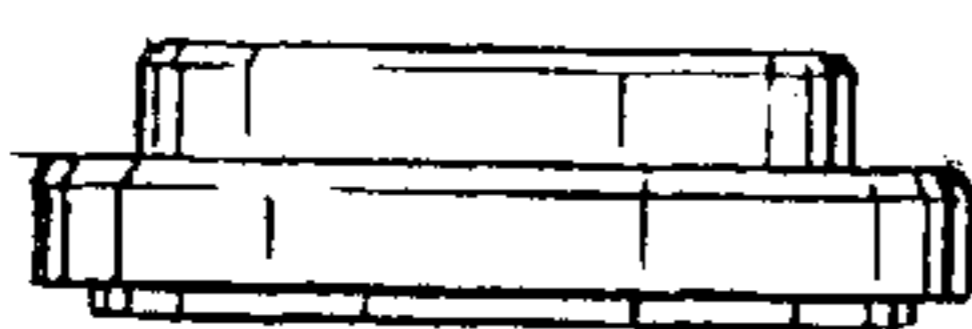


FIG. 7

