



US00D466053S

(12) **United States Design Patent**
O'Connell et al.

(10) **Patent No.:** **US D466,053 S**

(45) **Date of Patent:** **** Nov. 26, 2002**

(54) **VEHICLE EXTERIOR**

D440,185 S * 4/2001 Desmond et al. D12/91

(75) Inventors: **David O'Connell**, Huntington Beach,
CA (US); **Shinya Nishikado**, Toyota
(JP)

* cited by examiner

Primary Examiner—Melody N. Brown

(73) Assignee: **Mitsubishi Jidosha Kogyo kabushiki**
Kaisha, Tokyo (JP)

(57) **CLAIM**

The ornamental design for a vehicle exterior, as shown and described.

(**) Term: **14 Years**

DESCRIPTION

(21) Appl. No.: **29/152,996**

FIG. 1 is a front elevation view of a vehicle exterior showing our new design;

(22) Filed: **Jan. 7, 2002**

FIG. 2 is a top plan view thereof;

(51) **LOC (7) Cl.** **12-08**

FIG. 3 is a rear elevation view thereof;

(52) **U.S. Cl.** **D12/91**

FIG. 4 is a right side elevation view thereof;

(58) **Field of Search** D12/90-92, 86;
296/185

FIG. 5 is a left side elevation view thereof;

FIG. 6 is a front perspective view thereof; and,

FIG. 7 is a rear perspective view thereof.

(56) **References Cited**

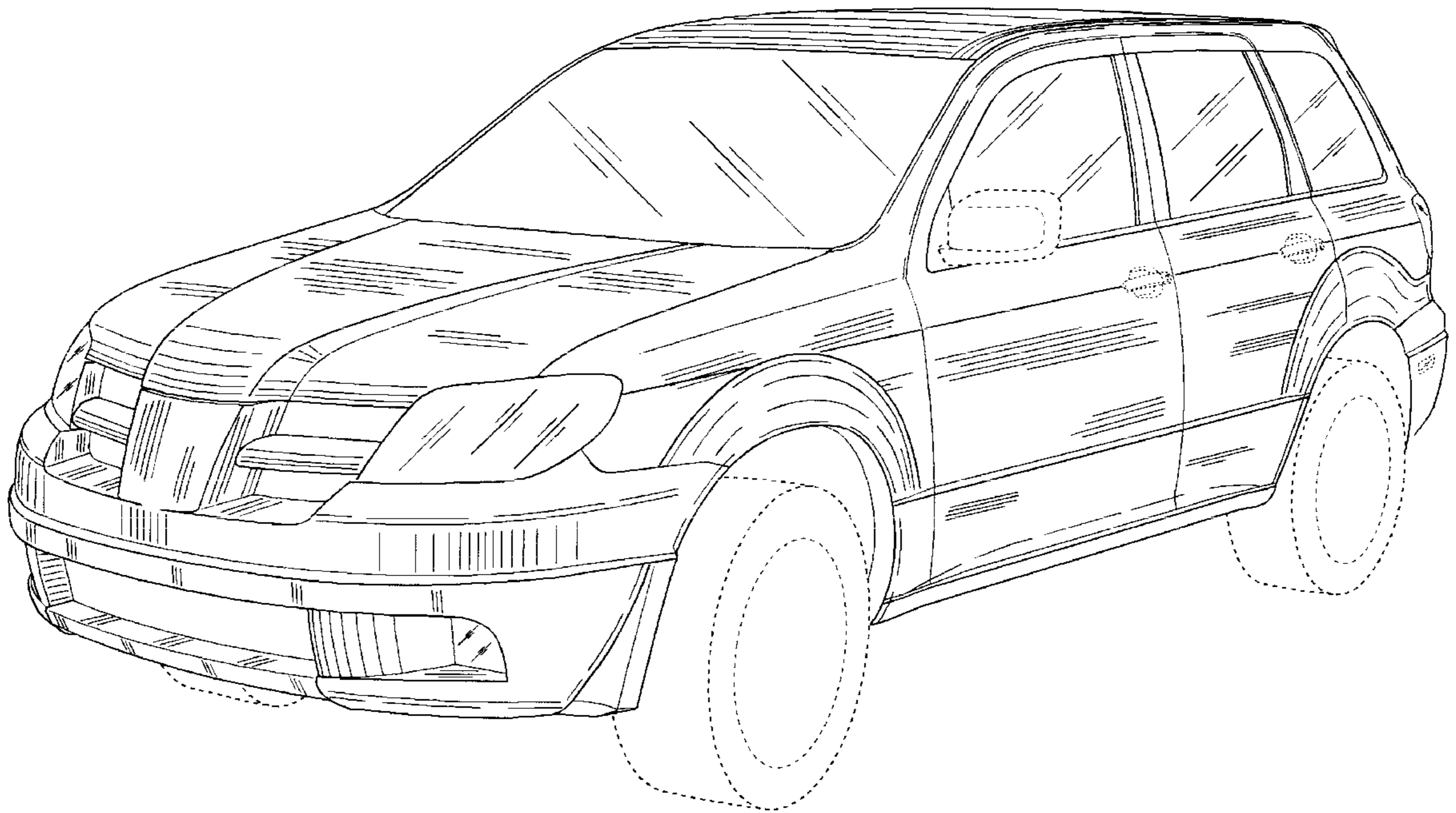
The broken lines showing of environmental structure in FIGS. 1, 3, 4, 5, 6, and 7 of the drawings are for illustrative purposes only and form no part of the claimed design.

U.S. PATENT DOCUMENTS

D424,980 S * 5/2000 Hunter et al. D12/91

D432,950 S * 10/2000 Sugita D12/91

1 Claim, 7 Drawing Sheets



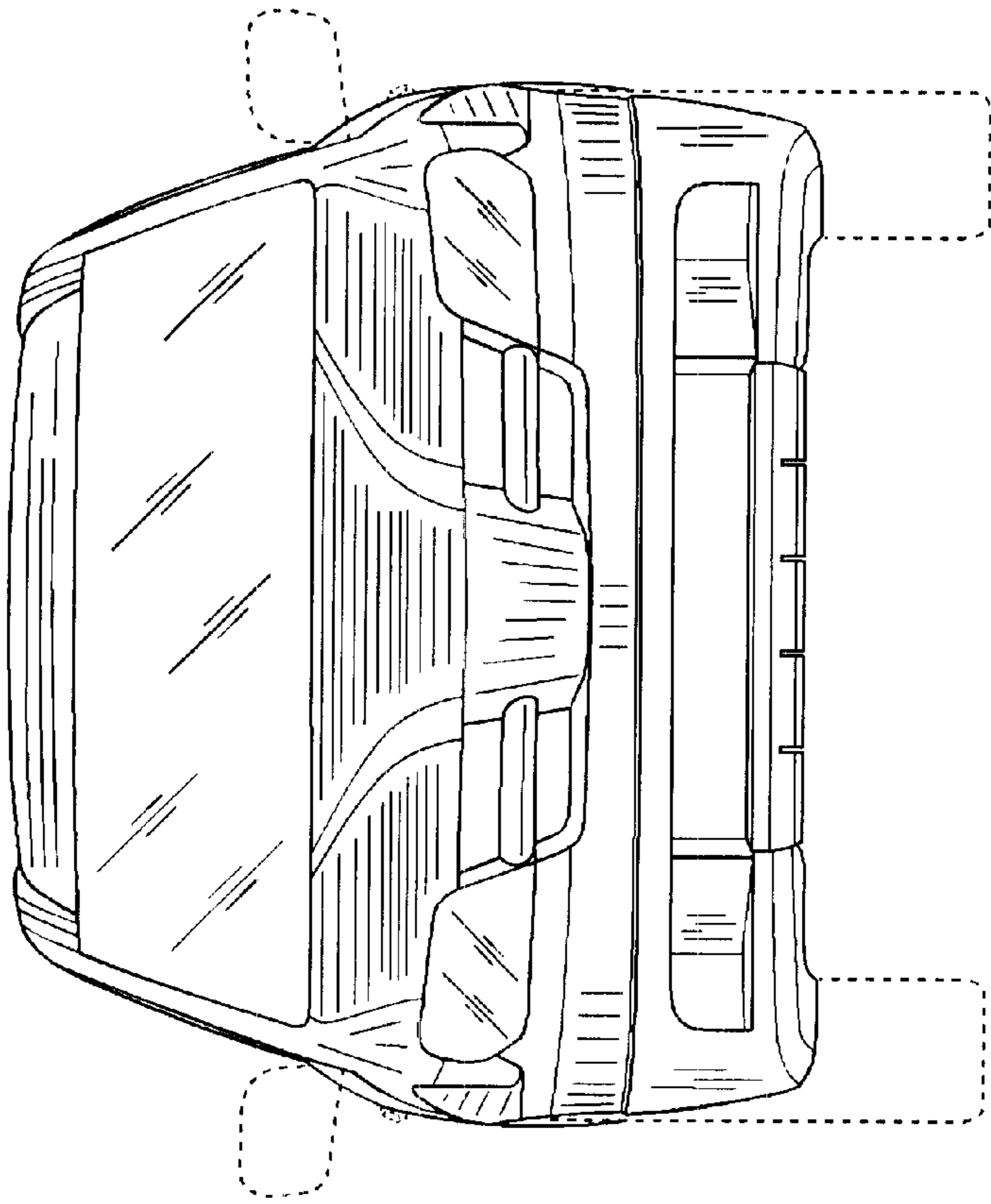


FIG. 1

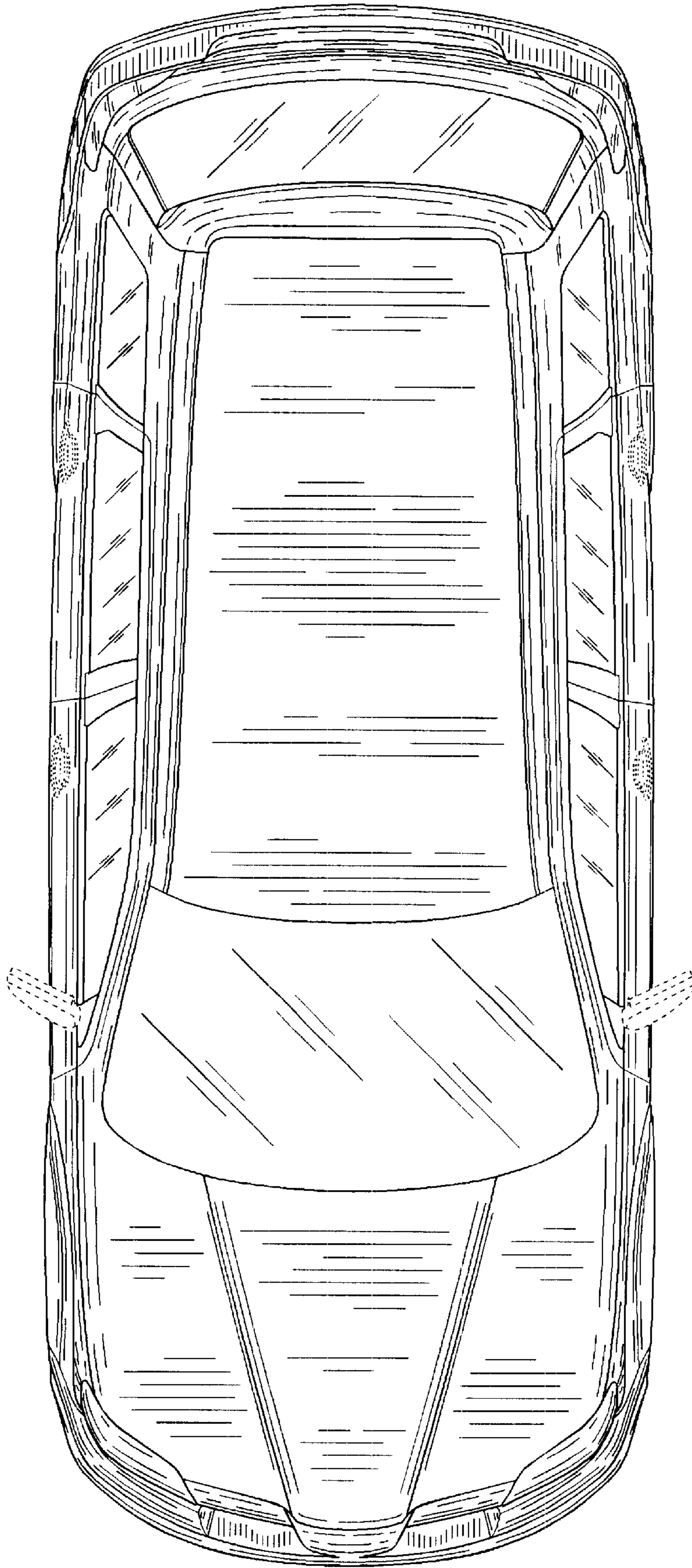


FIG. 2

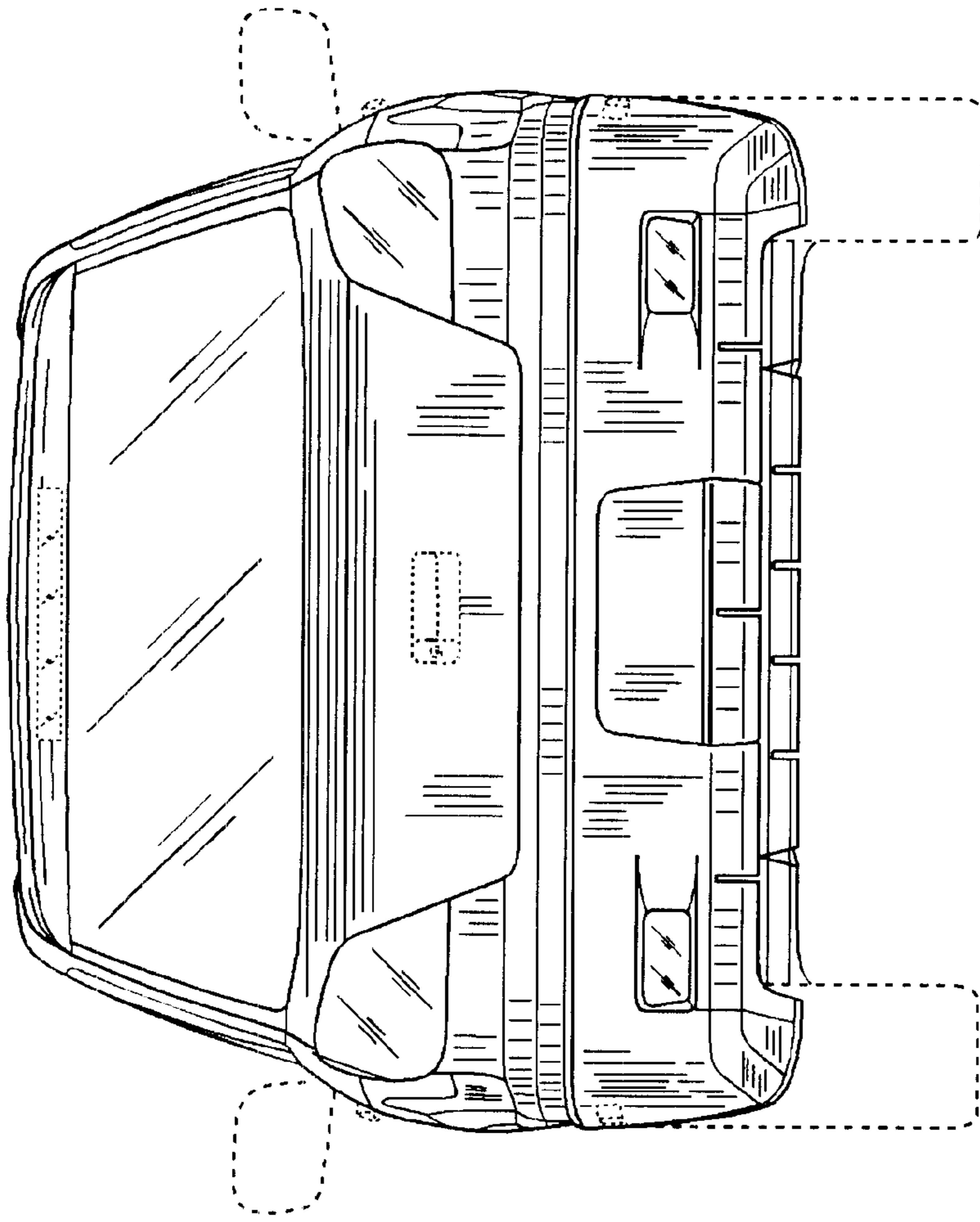


FIG. 3

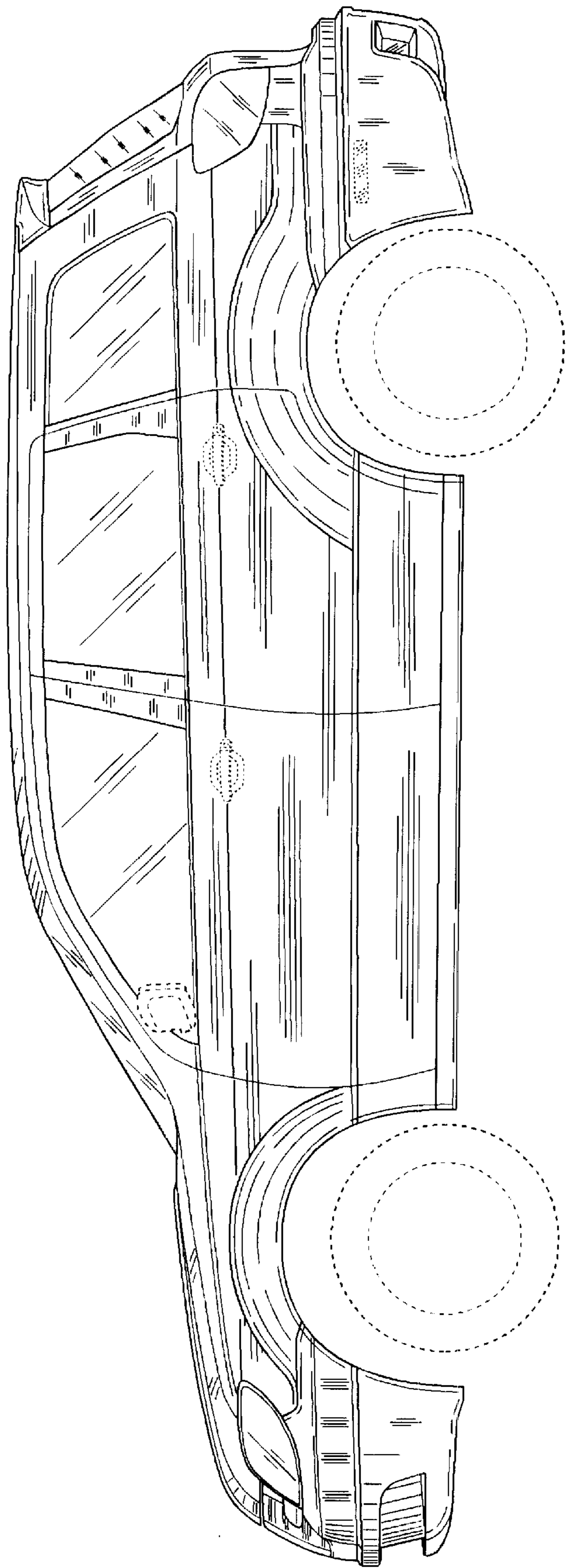


FIG. 4

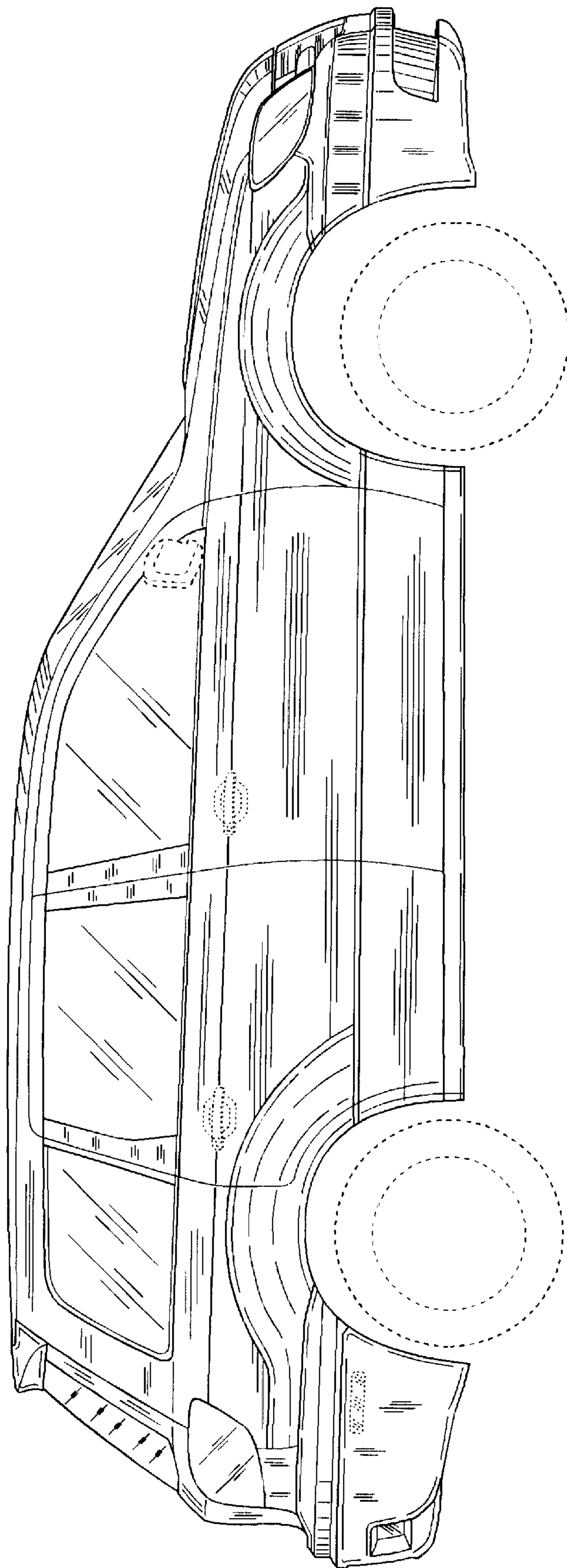


FIG. 5

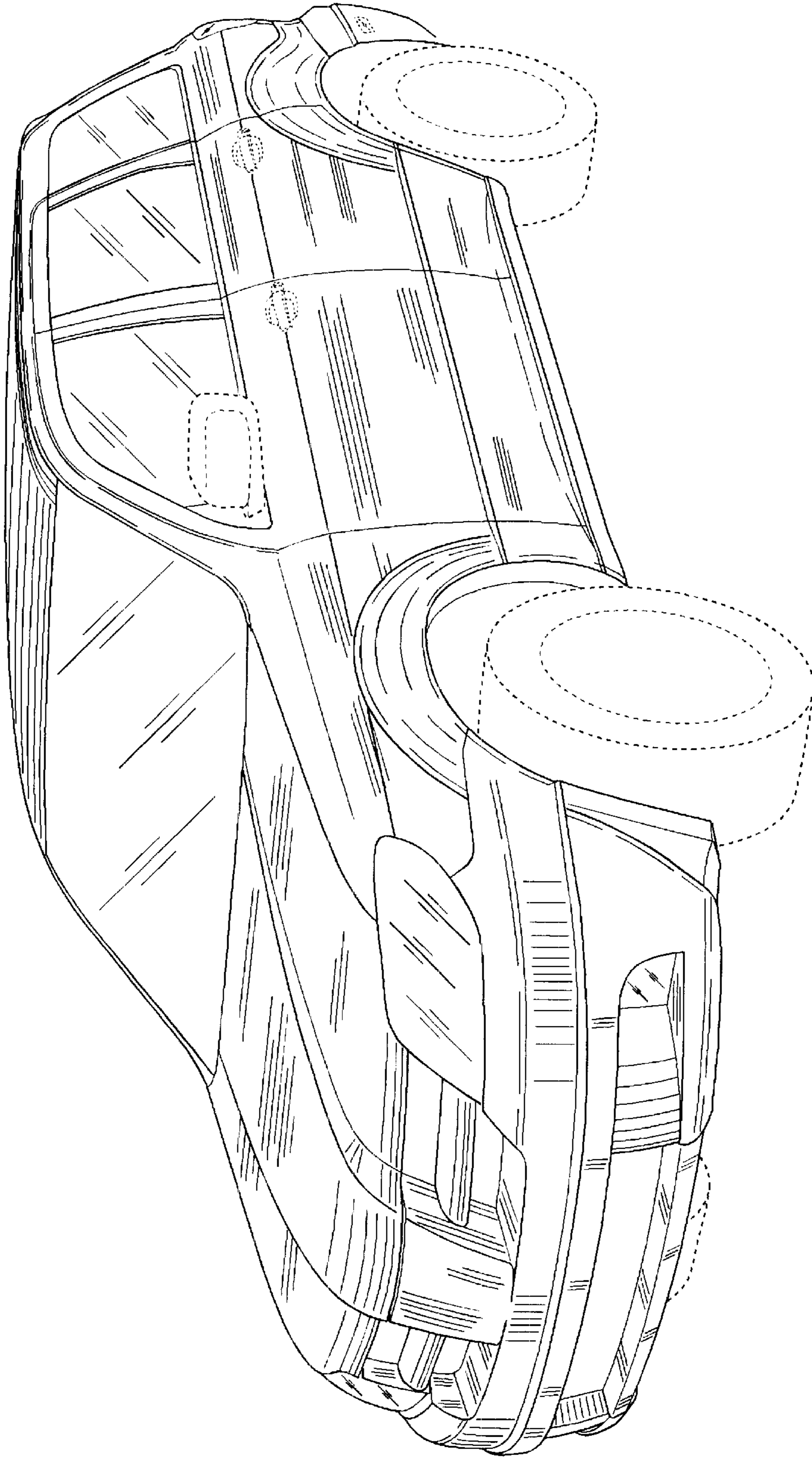


FIG. 6

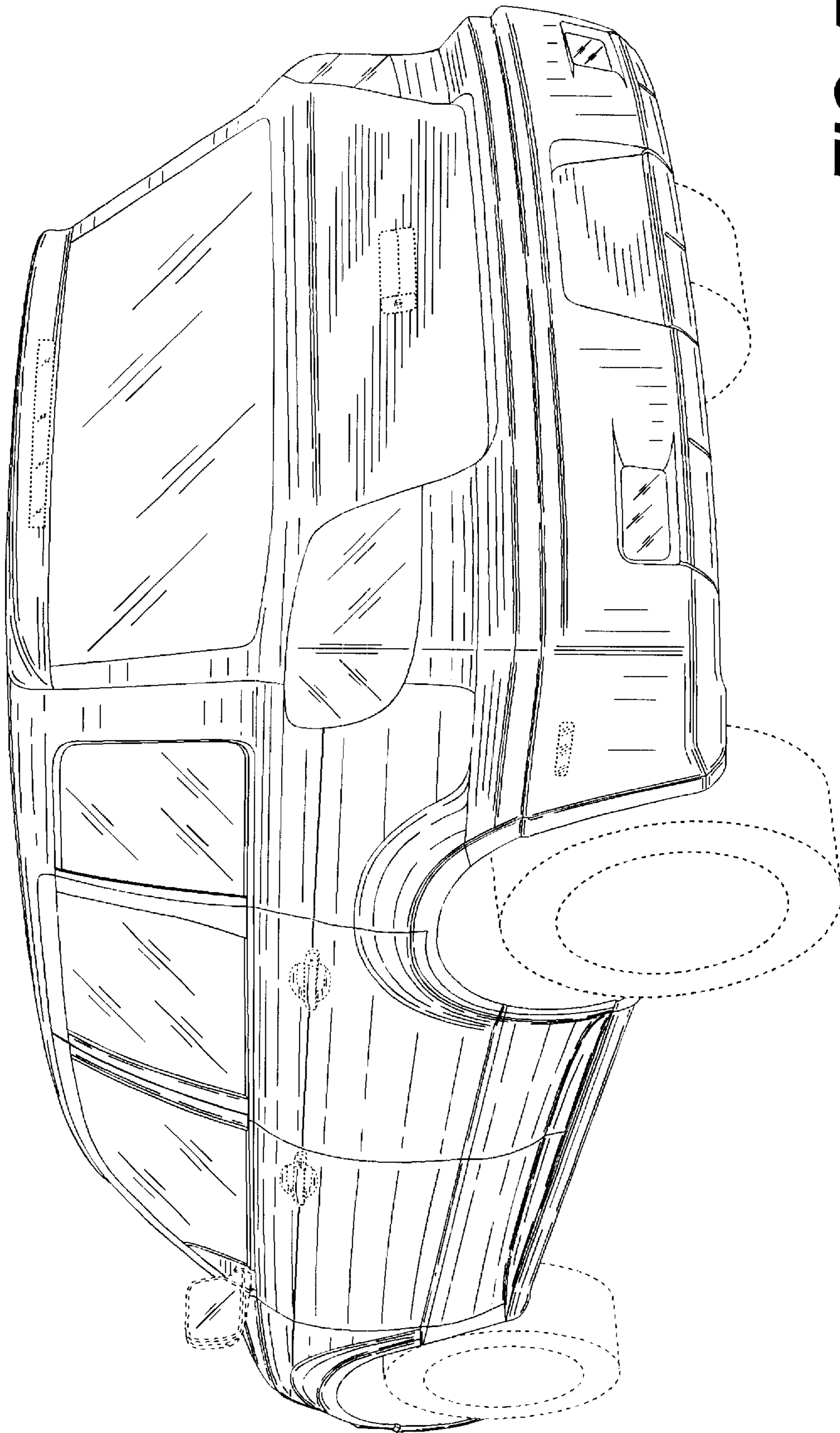


FIG. 7