



US00D466041S

(12) **United States Design Patent**
Goserud

(10) **Patent No.:** **US D466,041 S**

(45) **Date of Patent:** **** *Nov. 26, 2002**

(54) **PENDENTLY SUSPENDED HOLDER FOR DISPENSING GOLF TEES**

Primary Examiner—Ralf Seifert

(74) *Attorney, Agent, or Firm*—Norman B. Rainer

(76) **Inventor:** **J. Thomas Goserud**, 3152 Woodridge Dr., Landisville, PA (US) 17538

(57) **CLAIM**

The ornamental design for a pendently suspended holder for dispensing golf tees, as shown and described.

(*) **Notice:** This patent is subject to a terminal disclaimer.

DESCRIPTION

(**) **Term:** **14 Years**

FIG. 1 is a perspective view of a pendently suspended holder for dispensing golf tees, showing my new design, and showing in phantom outline a securing clip and golf tees, neither part of this invention;

(21) **Appl. No.:** **29/147,957**

FIG. 2 is a front view thereof;

(22) **Filed:** **Sep. 13, 2001**

FIG. 3 is a top view thereof;

(51) **LOC (7) Cl.** **11-01**

(52) **U.S. Cl.** **D11/79; D3/207**

FIG. 4 is a bottom view thereof;

(58) **Field of Search** D3/207–211, 215, D3/320, 329, 257, 224, 229; D21/234, 208, 710, 717; D87/347; 206/315.9; 221/64; 224/191.25, 251, 223, 918

FIG. 5 is an exploded perspective view thereof;

FIG. 6 is a side view thereof; and,

(56) **References Cited**

U.S. PATENT DOCUMENTS

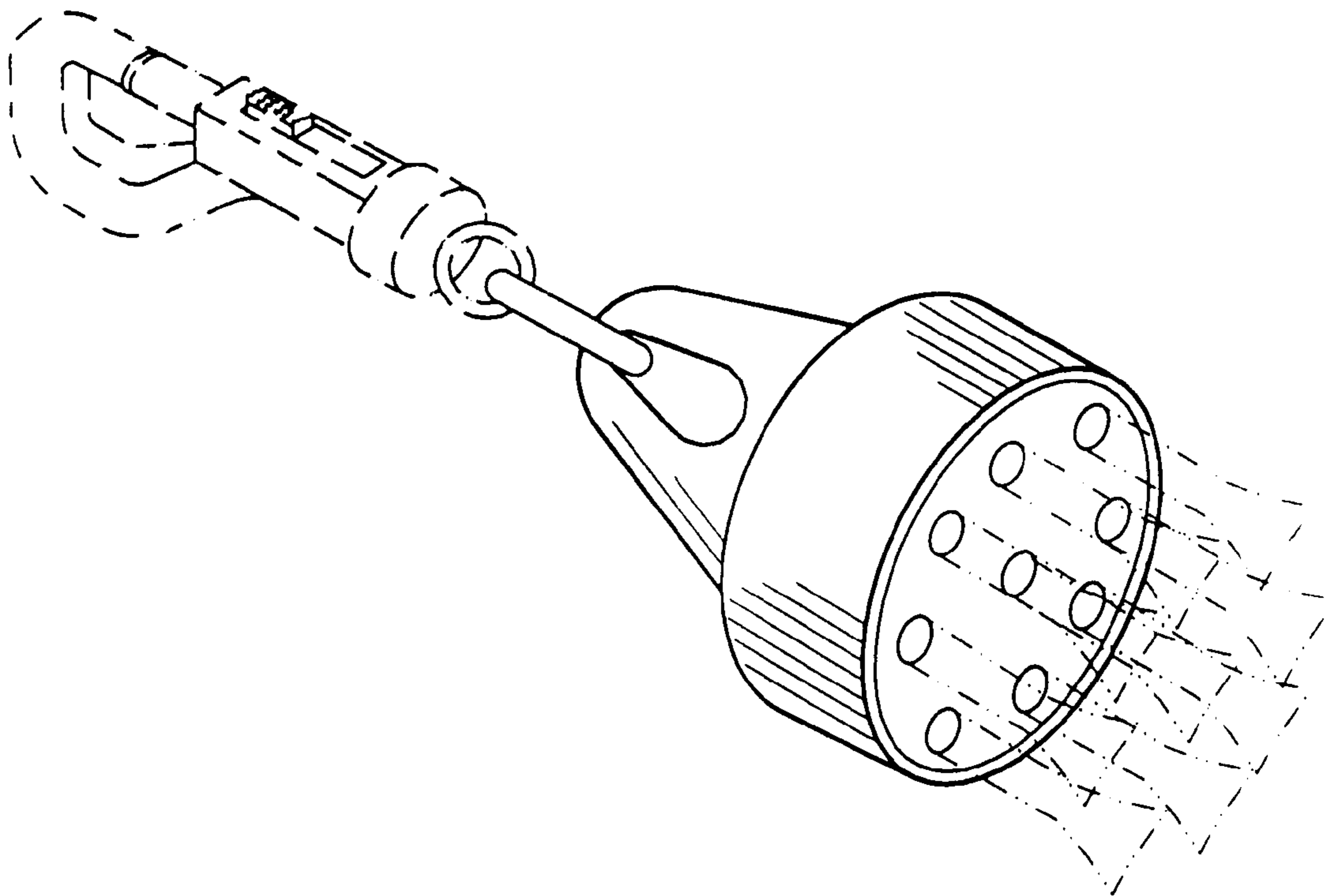
- D232,568 S * 8/1974 Brown
- D286,465 S * 11/1986 Attwood D3/207
- 5,050,276 A * 9/1991 Pemberton 24/303
- 5,172,839 A * 12/1992 Frisbie 224/251
- D385,414 S * 10/1997 Siu D3/207

FIG. 7 is a bottom view of a pendently suspended holder for dispensing golf tees showing a second embodiment of my new design, it being understood that the views not shown are like those shown in FIGS. 1–5 with the exception of the arrangement of the holes on the bottom of the pendant.

It being understood that the broken lines are for illustrative purposes only.

* cited by examiner

1 Claim, 1 Drawing Sheet



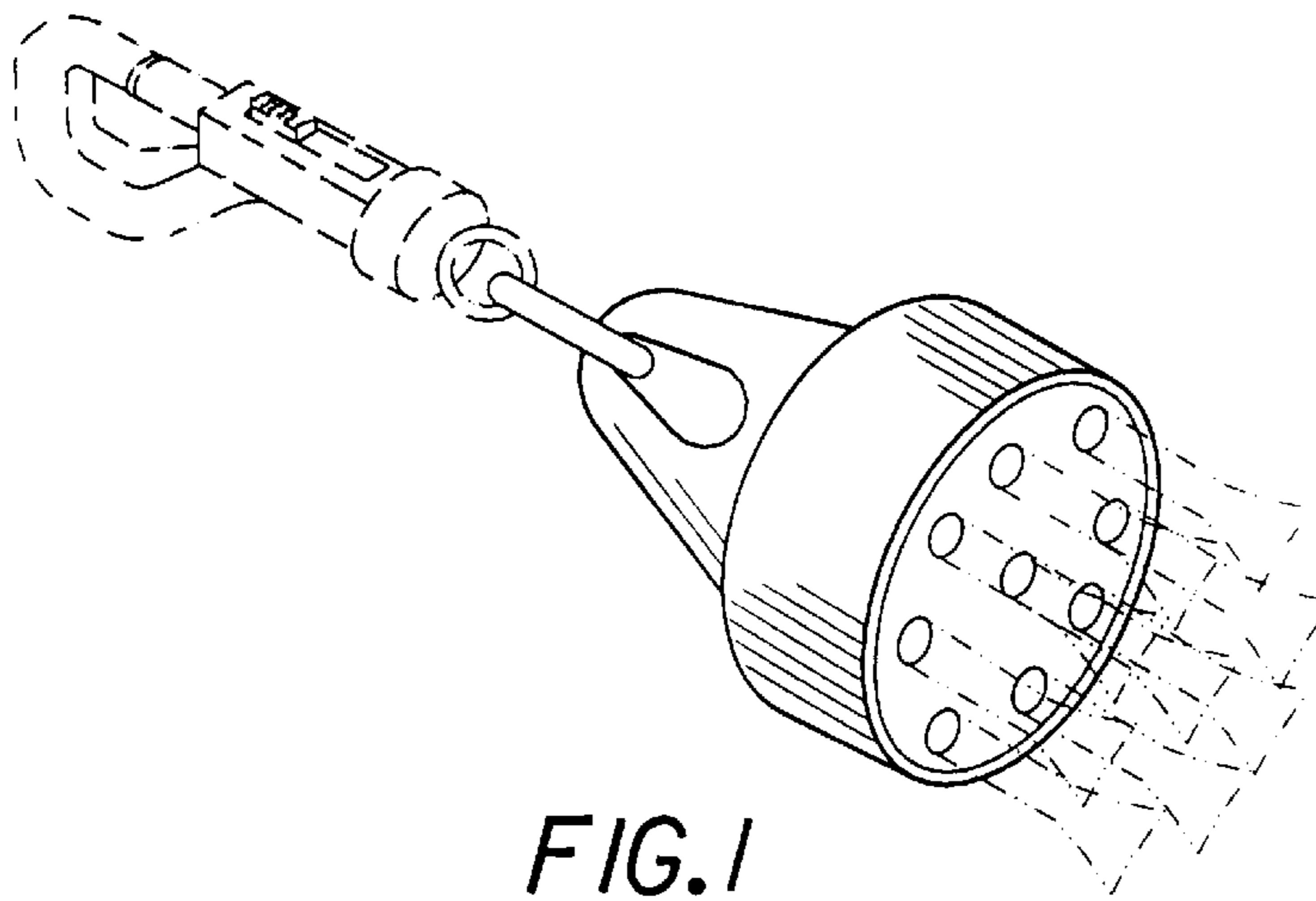


FIG. 1

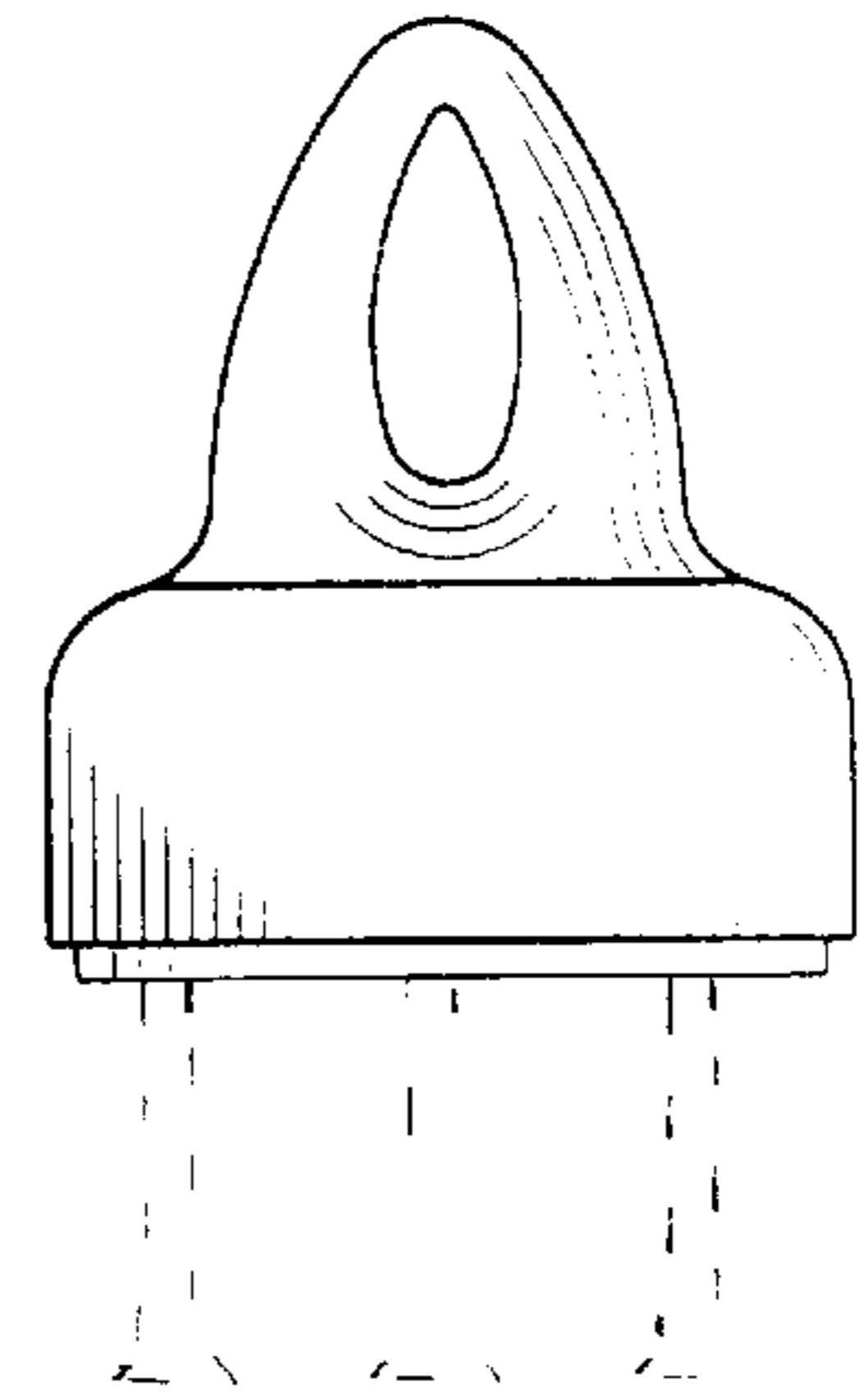


FIG. 2

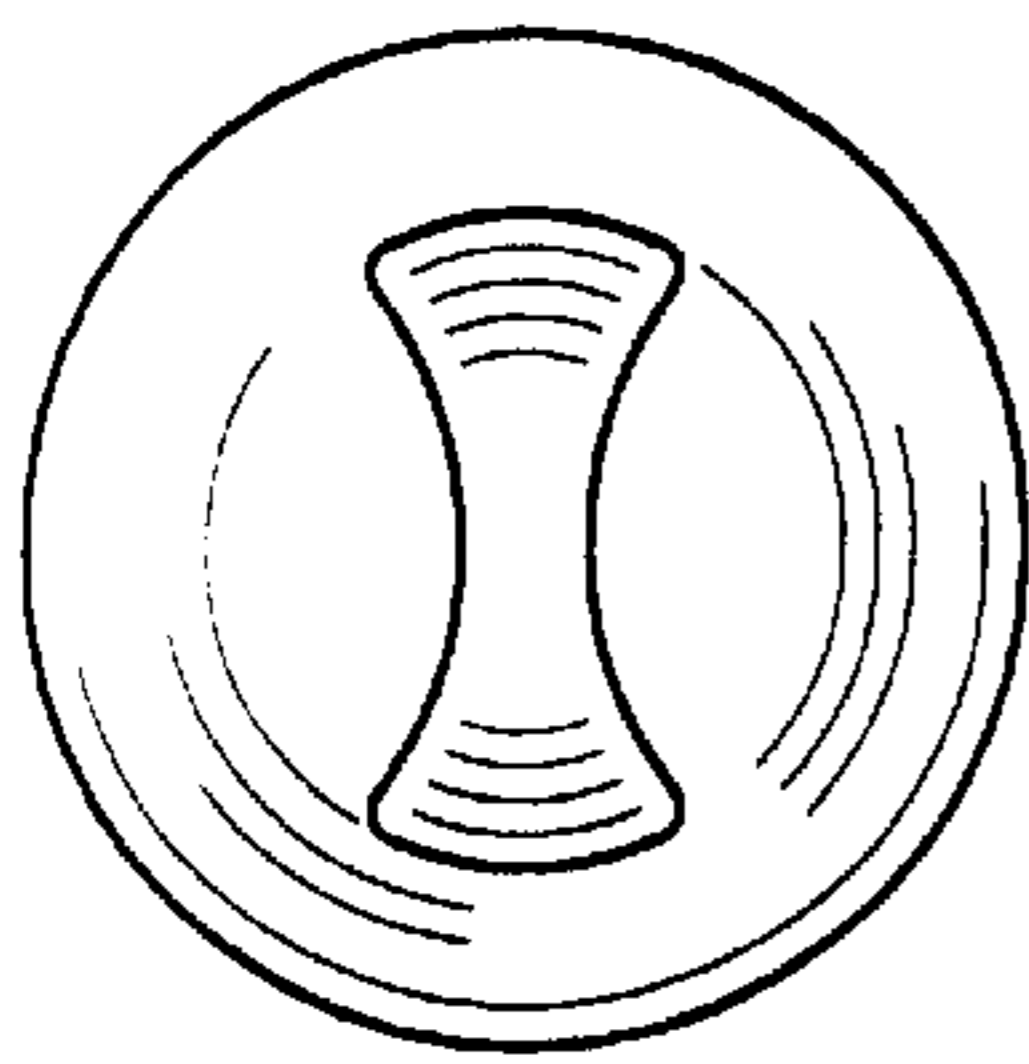


FIG. 3

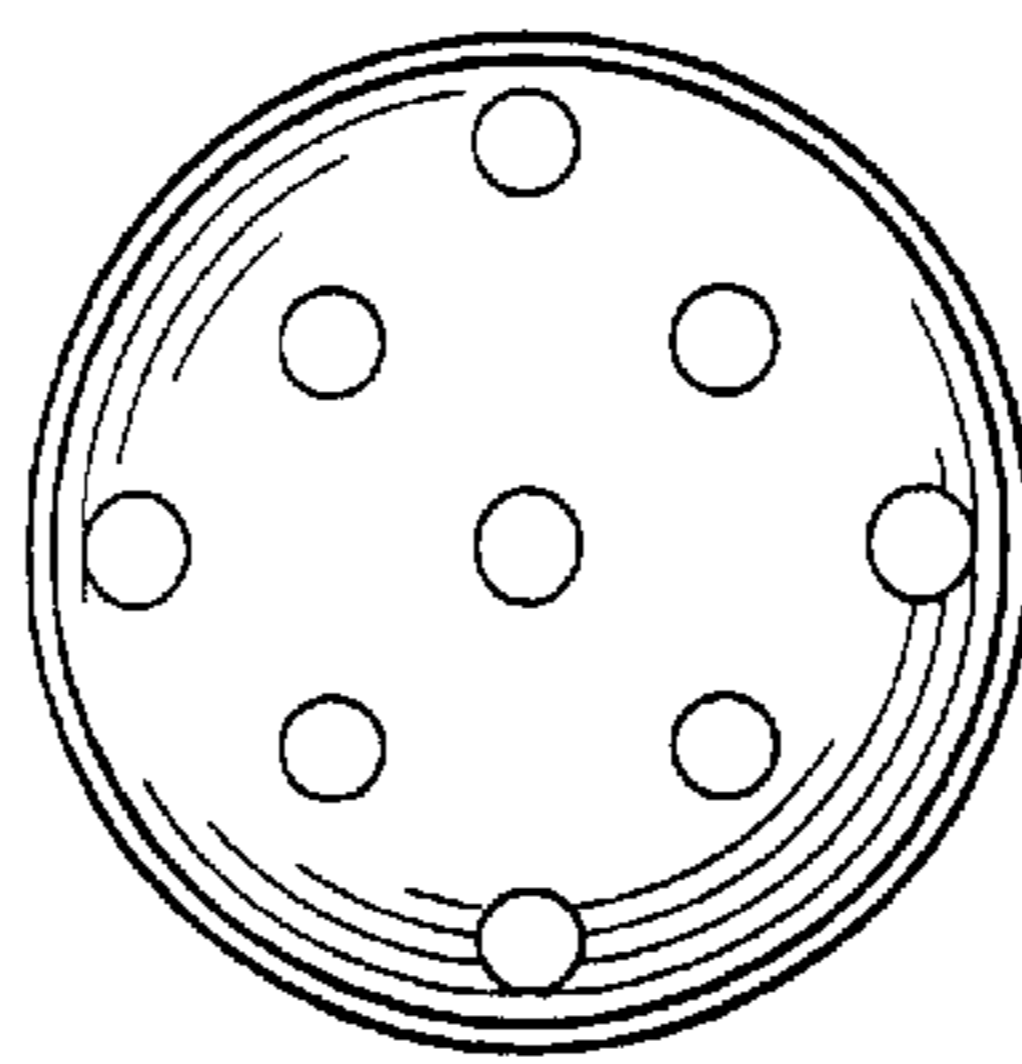


FIG. 7

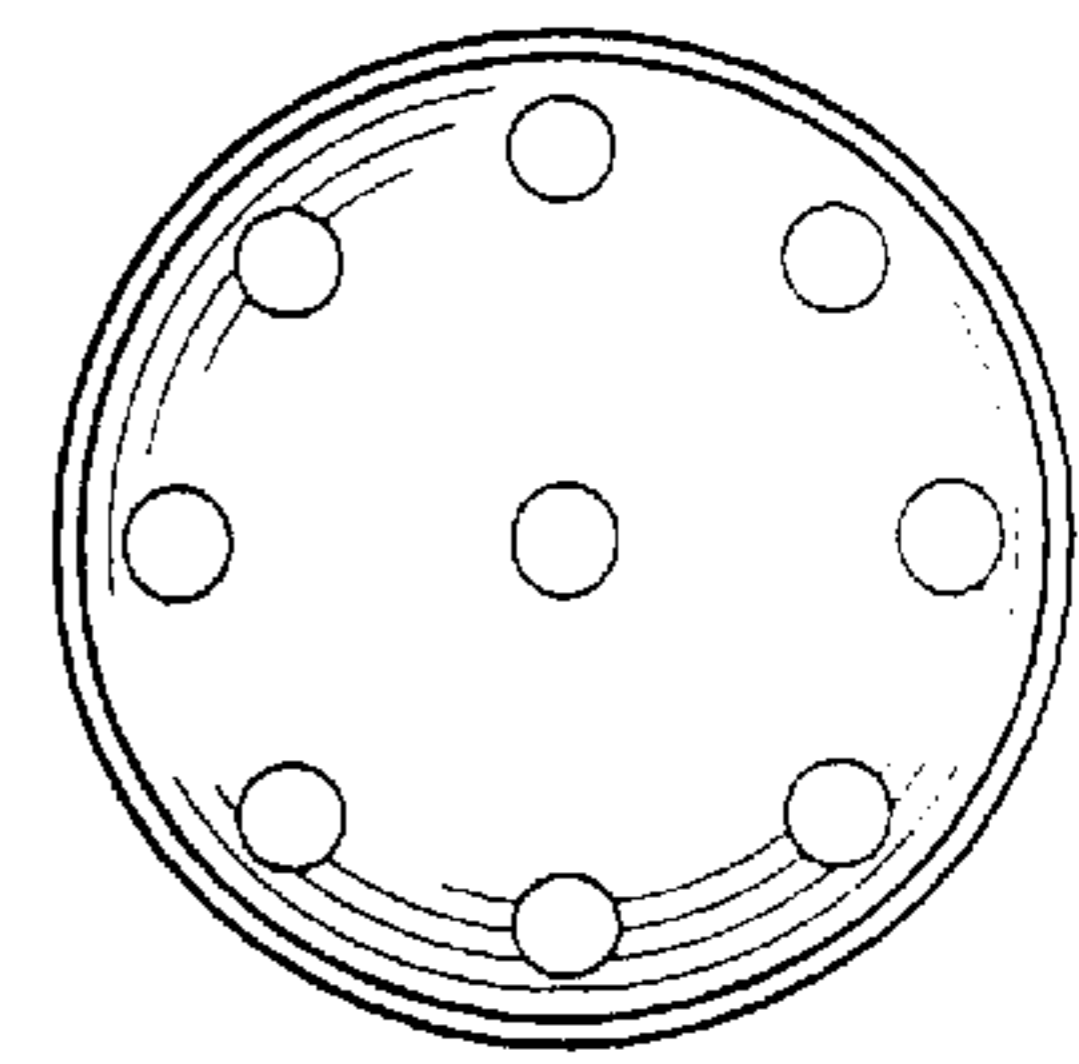


FIG. 4

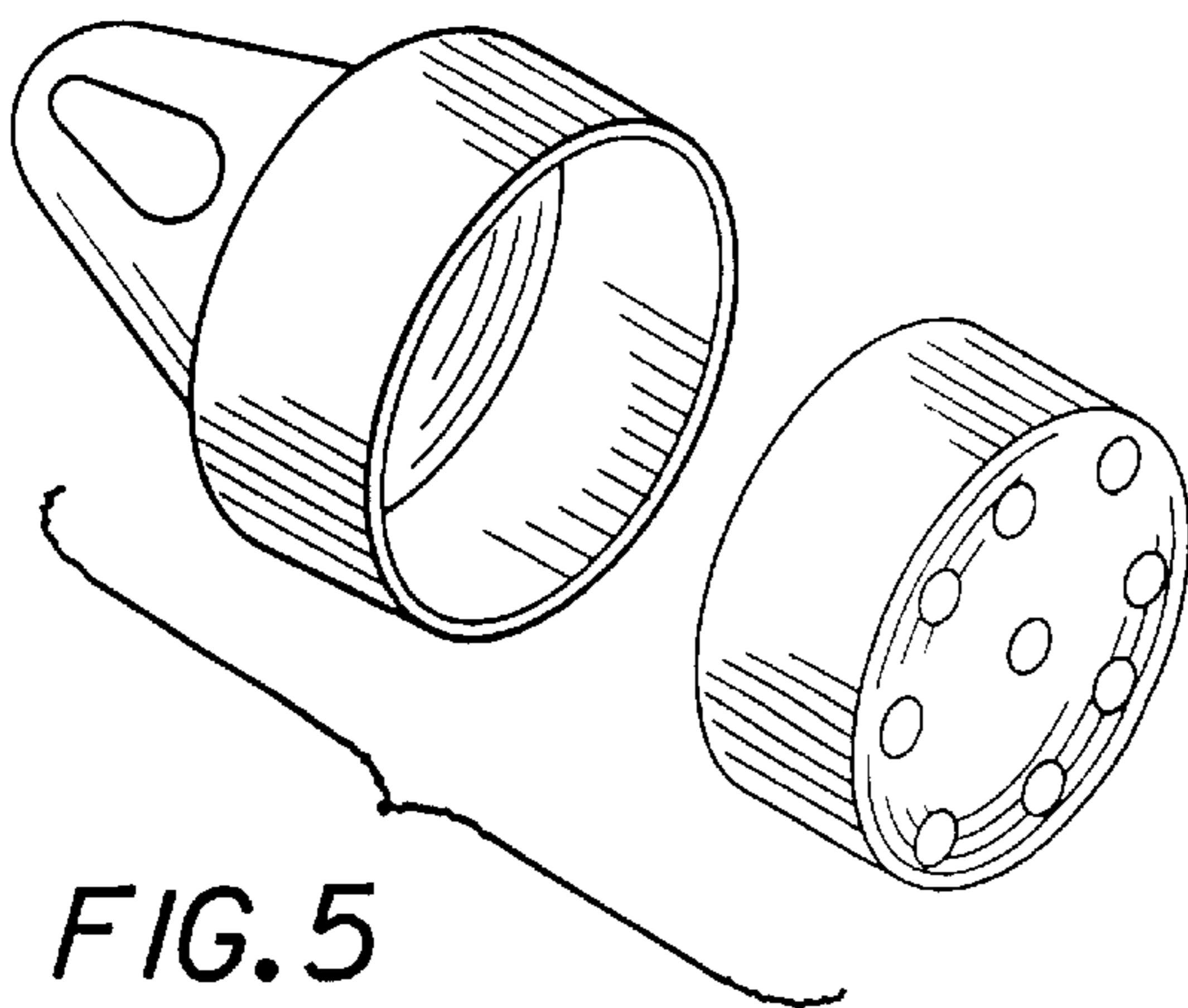


FIG. 5

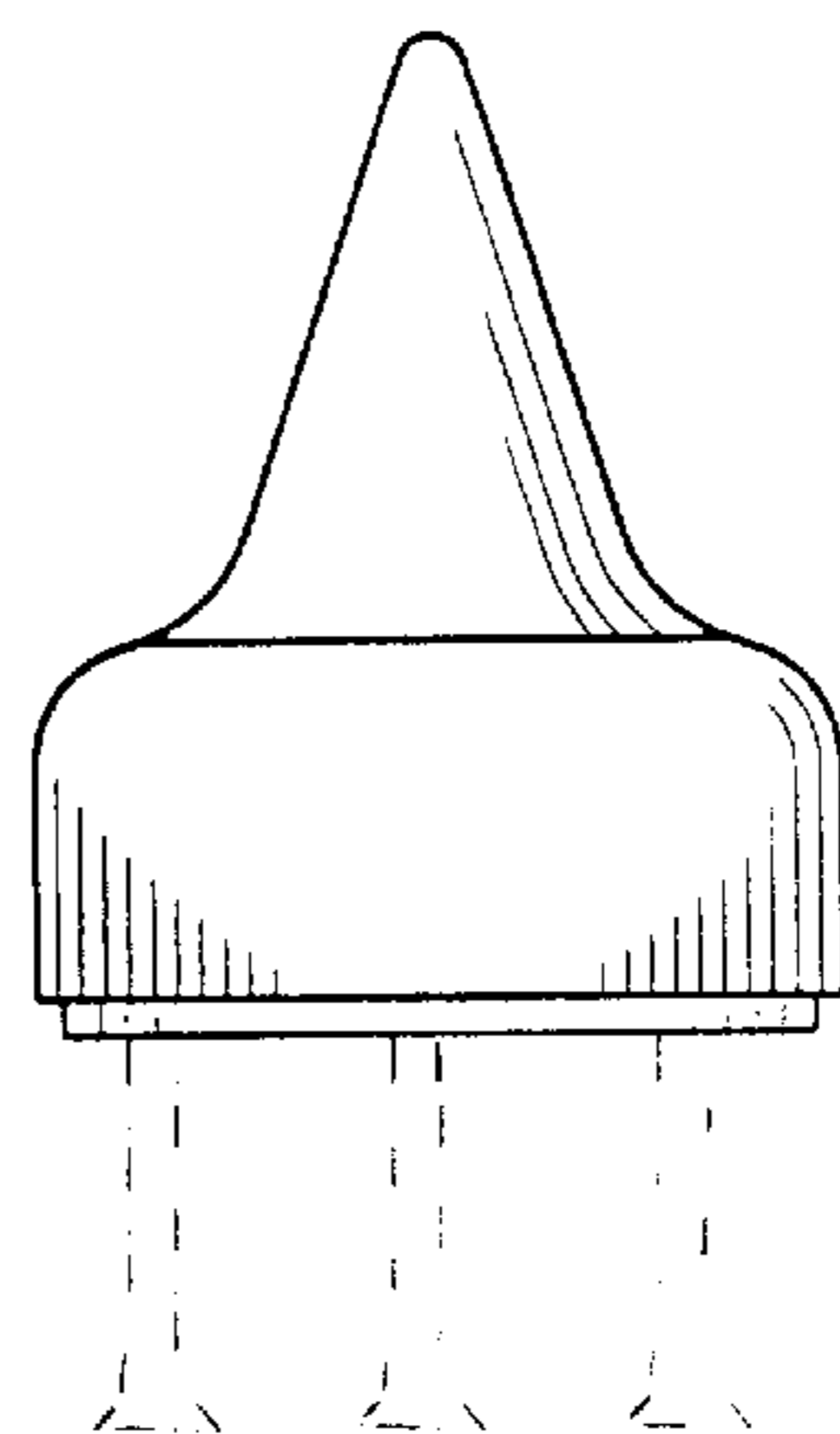


FIG. 6