



US00D466037S

(12) **United States Design Patent**
Huehner et al.

(10) **Patent No.:** **US D466,037 S**

(45) **Date of Patent:** **** Nov. 26, 2002**

(54) **EAS TAG HOLDER**

(75) **Inventors:** **David K. Huehner**, Cuyahoga Falls,
OH (US); **Frank H. Copen**, Shreve,
OH (US)

(73) **Assignee:** **Alpha Security Products, Inc.**, North
Canton, OH (US)

(**) **Term:** **14 Years**

(21) **Appl. No.:** **29/155,361**

(22) **Filed:** **Feb. 7, 2002**

(51) **LOC (7) Cl.** **10-05**

(52) **U.S. Cl.** **D10/104**

(58) **Field of Search** D10/104; 340/568.1-568.8,
340/569, 570, 571, 572.1-572.9

(56) **References Cited**

U.S. PATENT DOCUMENTS

3,858,280 A	1/1975	Martens
3,911,534 A	10/1975	Martens et al.
3,914,829 A	10/1975	Paskert
3,932,918 A	1/1976	Paskert
3,942,829 A	3/1976	Humble et al.
3,947,930 A	4/1976	Martens et al.
3,974,581 A	8/1976	Martens et al.
3,995,900 A	12/1976	Humble et al.
4,000,543 A	1/1977	Paskert
4,012,813 A	3/1977	Martens et al.
4,103,295 A	7/1978	Doerre
4,104,622 A	8/1978	Van Niel
4,187,509 A	2/1980	Weiner
4,196,424 A	4/1980	Williamson
4,221,025 A	9/1980	Martens et al.
4,299,870 A	11/1981	Humble
4,311,992 A	1/1982	DeChant
4,380,097 A	4/1983	Keifer

4,483,049 A	11/1984	Gustavsson et al.
4,502,717 A	3/1985	Close
4,523,356 A	6/1985	Charlot, Jr.
4,531,264 A	7/1985	Minasy
4,590,461 A	5/1986	Cooper
4,603,453 A	8/1986	Yokoyama
4,649,397 A	3/1987	Heateon et al.
4,651,136 A	3/1987	Anderson et al.
4,670,950 A	6/1987	Wisecup et al.
4,685,234 A	8/1987	Anderson et al.
4,695,845 A	9/1987	Hildt
4,722,119 A	2/1988	Green
4,751,500 A	6/1988	Minasy et al.

(List continued on next page.)

Primary Examiner—Antoine Duval Davis

(74) *Attorney, Agent, or Firm*—Sand & Sebolt

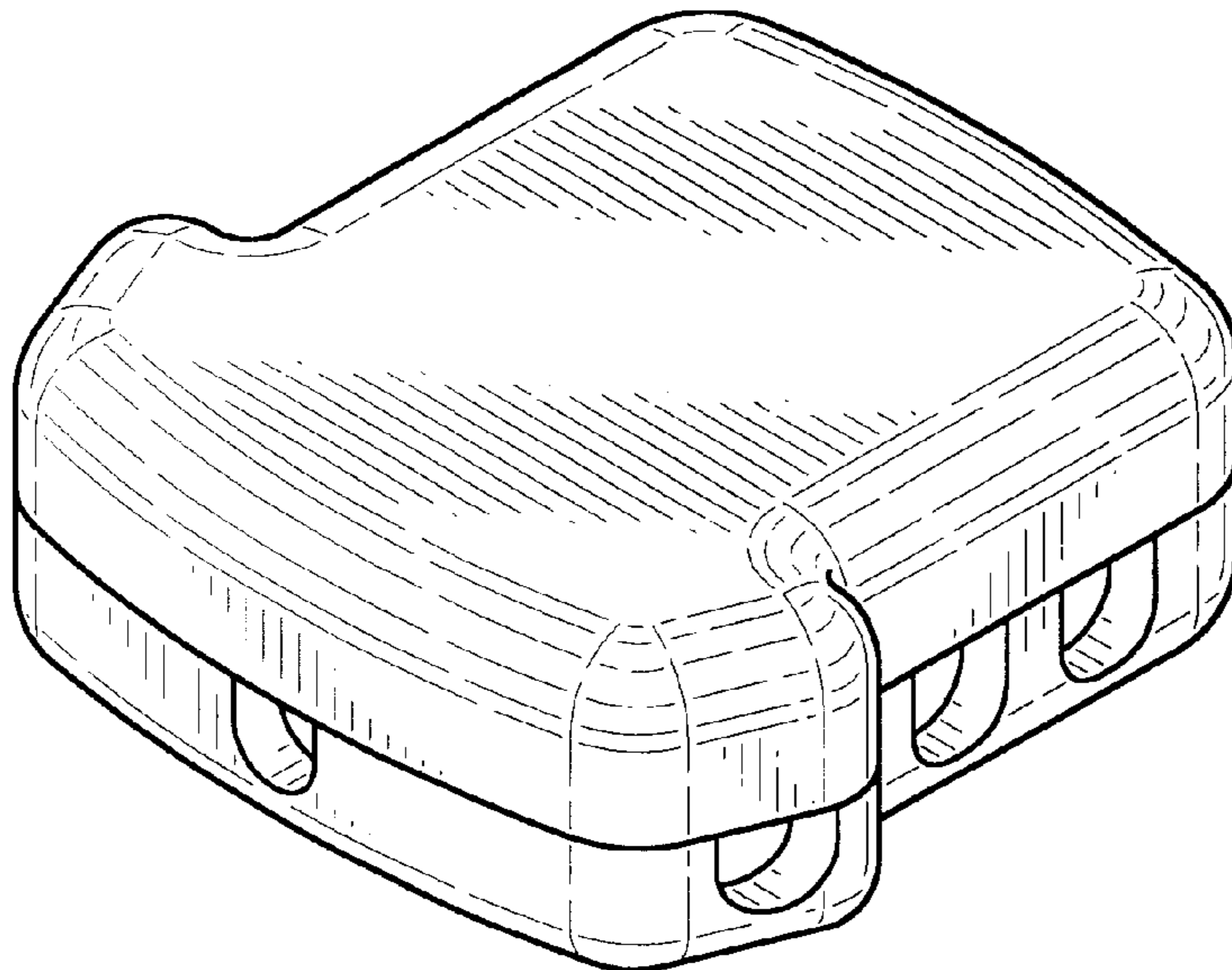
(57) **CLAIM**

The ornamental design for EAS tag holder, as shown and described.

DESCRIPTION

FIG. 1 is a perspective view of a first embodiment of the EAS tag holder showing our new design.
FIG. 2 is a top plan view of the EAS tag holder of FIG. 1.
FIG. 3 is a front elevation view of FIG. 2.
FIG. 4 is a rear elevation view of FIG. 2.
FIG. 5 is a right side elevation view of FIG. 2; the left side being a mere image thereof.
FIG. 6 is a perspective view of a second embodiment of the EAS tag holder showing our new design.
FIG. 7 is a top plan view of the EAS tag holder of FIG. 6.
FIG. 8 is a front elevation view of FIG. 7.
FIG. 9 is a rear elevation view of FIG. 7; and,
FIG. 10 is a right side elevation view of FIG. 7; the left side being a mere image thereof.

1 Claim, 2 Drawing Sheets



US D466,037 S

Page 2

U.S. PATENT DOCUMENTS

4,774,503 A	9/1988	Bussard	5,437,172 A	8/1995	Lamy et al.
4,774,504 A	9/1988	Hartings	5,438,738 A	8/1995	Stolz et al.
4,847,592 A	7/1989	Esch et al.	5,497,639 A	3/1996	Charlot, Jr.
4,903,383 A	2/1990	Gartshore	5,524,463 A	6/1996	Schenkel et al.
4,940,968 A	7/1990	De Nood	5,528,914 A	6/1996	Nguyen et al.
4,944,075 A	7/1990	Hogan	5,535,606 A	7/1996	Nguyen et al.
4,987,754 A	1/1991	Minasy et al.	RE35,361 E	10/1996	Hogan et al.
4,991,413 A	2/1991	Arnaldo	5,572,191 A	11/1996	Lundberg
4,993,245 A	2/1991	Ott	5,600,977 A	2/1997	Piron
5,022,244 A	6/1991	Charlot, Jr.	5,647,106 A	7/1997	Hogan
5,031,287 A	7/1991	Charlot, Jr. et al.	5,655,392 A	8/1997	Holmgren
5,054,172 A	10/1991	Hogan et al.	5,680,681 A	10/1997	Fuss
5,068,641 A	11/1991	Hogen Esch	5,745,965 A	5/1998	Stoltz et al.
5,069,047 A	12/1991	Lynch et al.	5,791,079 A	8/1998	Mazzucchelli
5,077,872 A	1/1992	Guthammar	5,841,349 A	11/1998	Holmgren
5,079,540 A	1/1992	Narlow et al.	5,852,856 A	12/1998	Seidel
5,088,165 A	2/1992	Minasy et al.	5,942,978 A	8/1999	Shafer
5,099,228 A	3/1992	Israel et al.	5,953,799 A	9/1999	Seidel
5,140,836 A	8/1992	Hogan et al.	5,955,951 A	9/1999	Wischerop et al.
5,144,820 A	9/1992	Holmgren	5,969,614 A	10/1999	Holmgren
5,205,024 A	4/1993	Willard	6,023,951 A	2/2000	Maurer et al.
5,208,580 A	5/1993	Crossfield	6,029,322 A	2/2000	Belotti et al.
5,275,122 A	1/1994	Stolz et al.	6,052,876 A	4/2000	Hogan et al.
5,309,740 A	5/1994	Hansen	D424,462 S *	5/2000	Suzuki et al. D10/104
5,367,289 A	11/1994	Baro et al.	6,121,878 A *	9/2000	Brady et al. 340/572.1
5,388,433 A	2/1995	Andersson et al.	6,137,413 A	10/2000	Ryan, Jr.
5,392,620 A	2/1995	Stoltz et al.	6,188,320 B1	2/2001	Kolton et al.
5,426,419 A	6/1995	Nguyen et al.	6,226,839 B1	5/2001	Sayegh
5,428,875 A	7/1995	Nguyen et al.	6,255,950 B1	7/2001	Nguyen

* cited by examiner

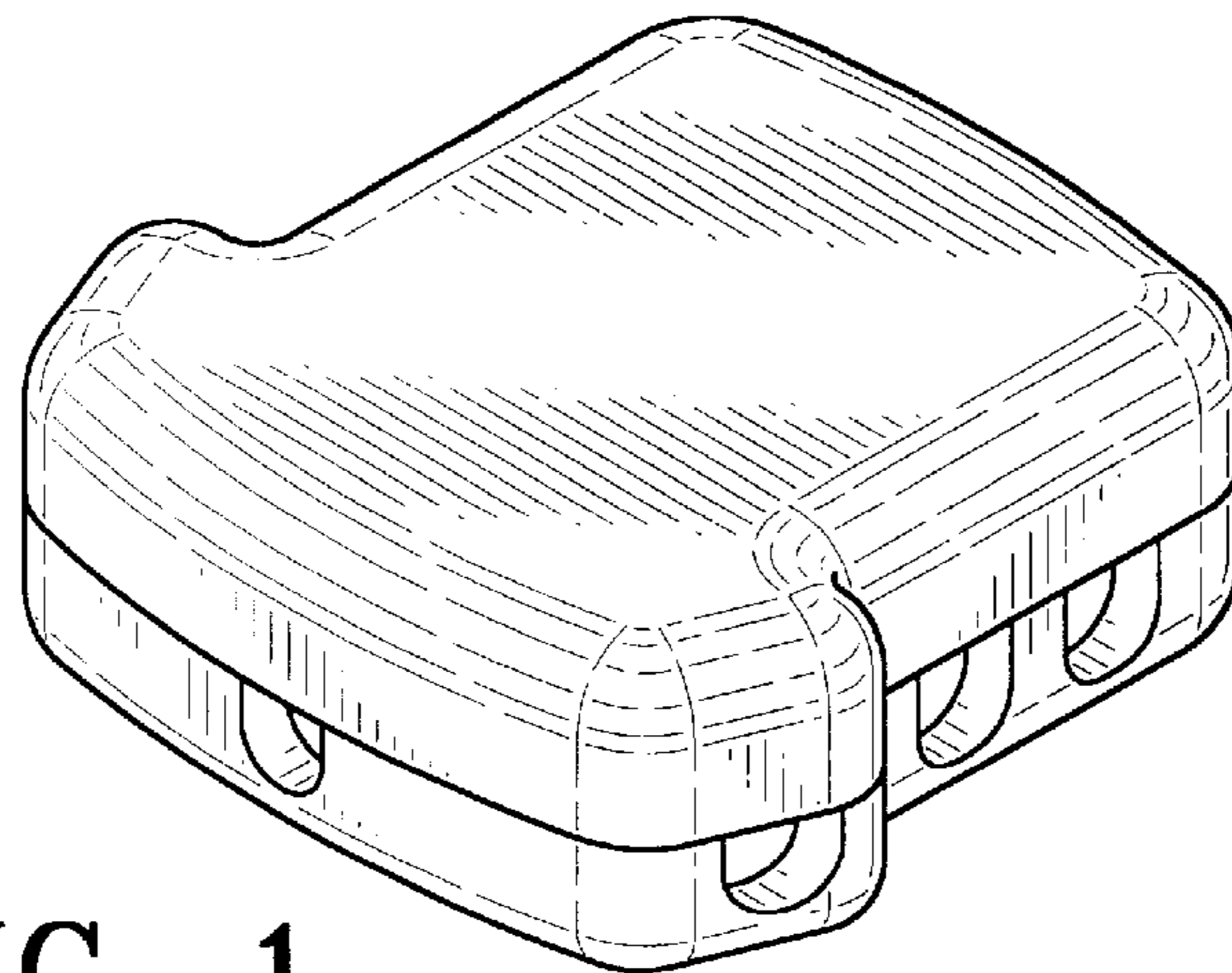


FIG-1

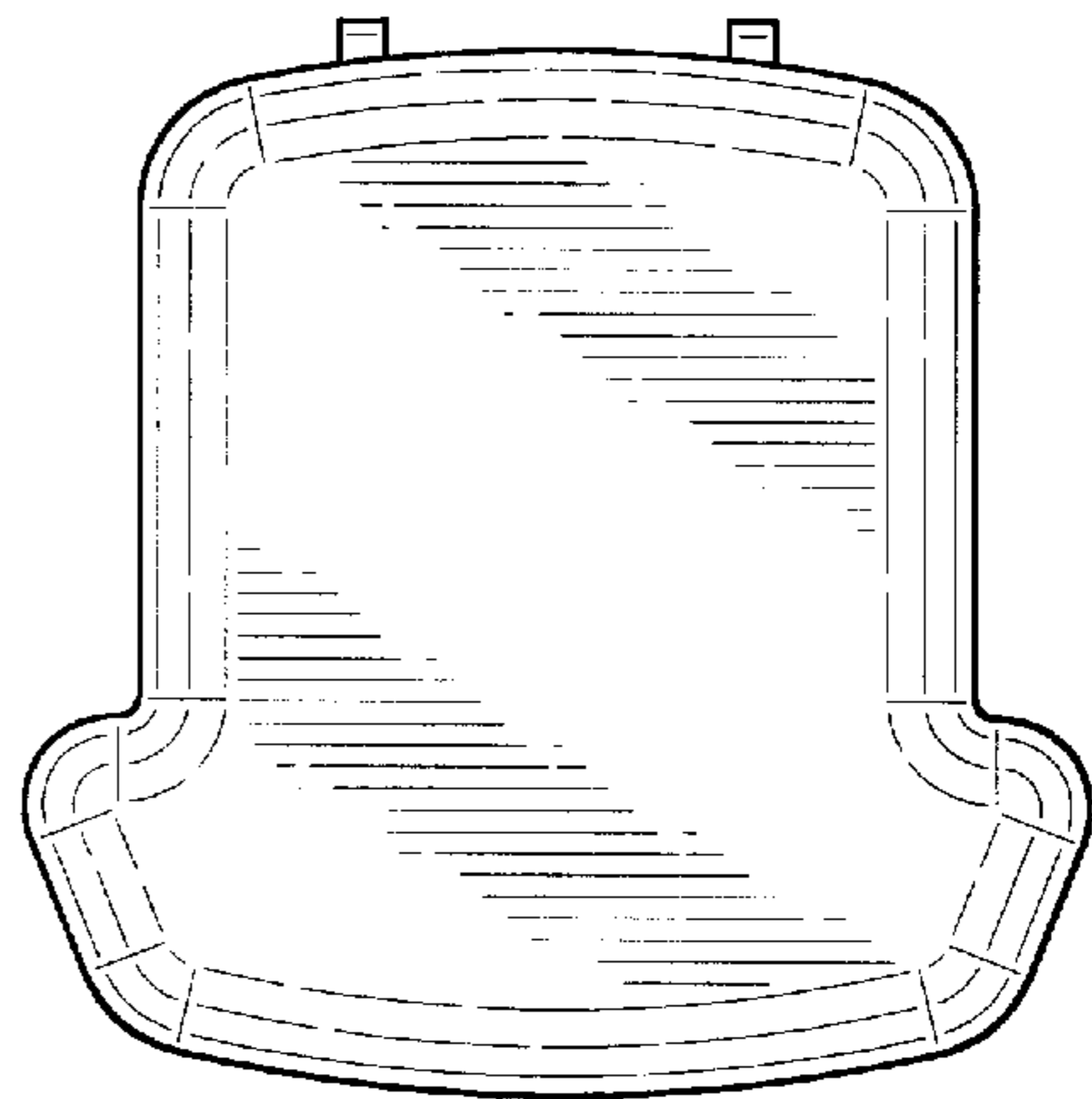


FIG-2

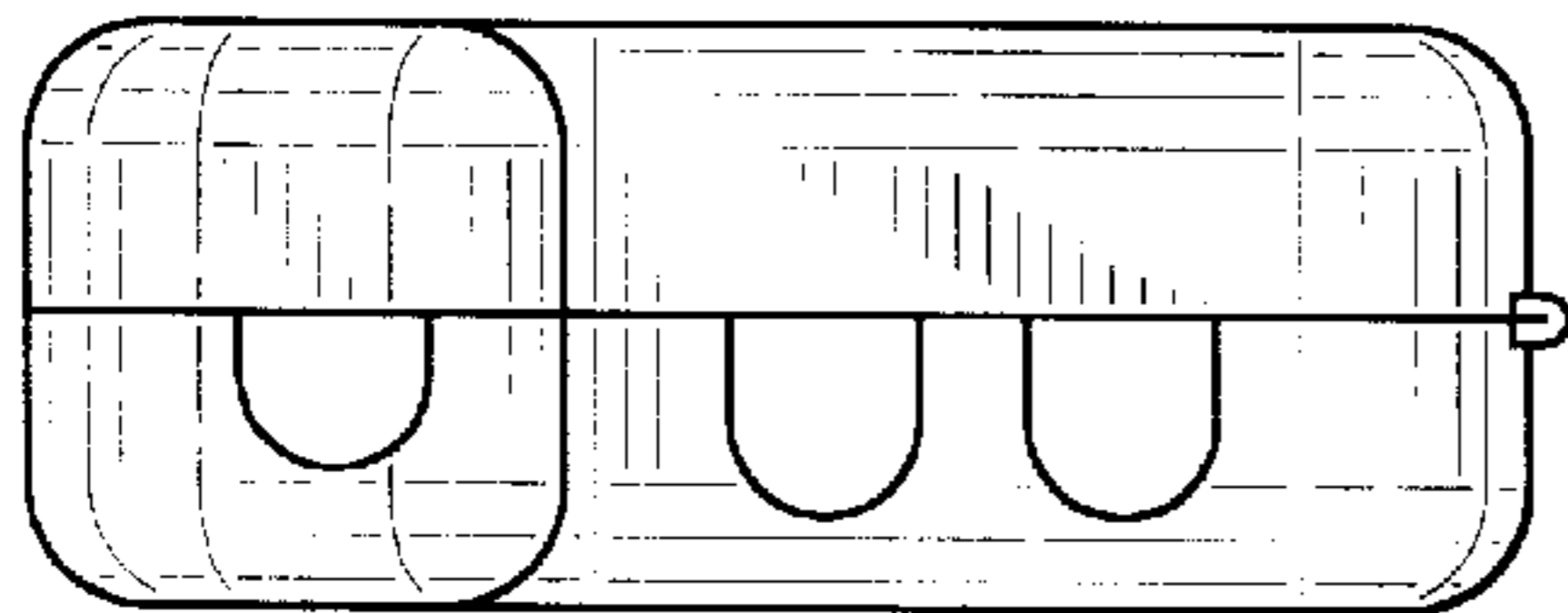


FIG-5

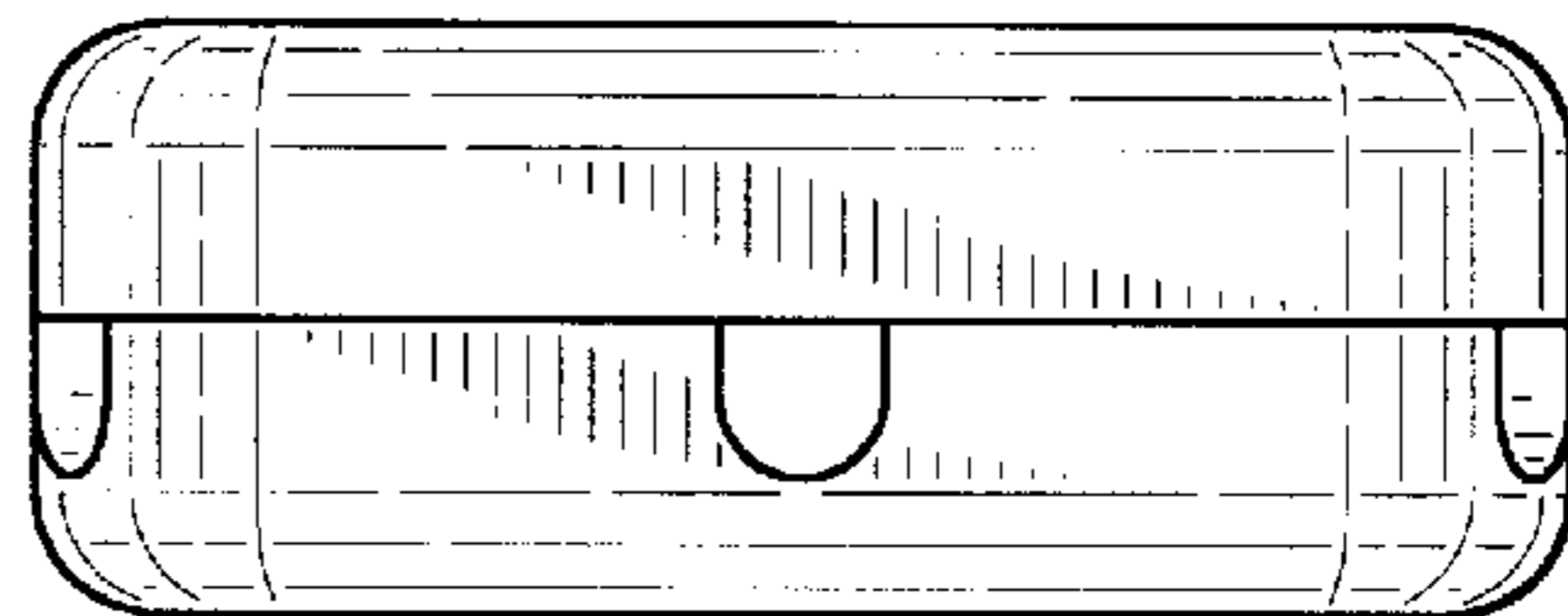


FIG-3

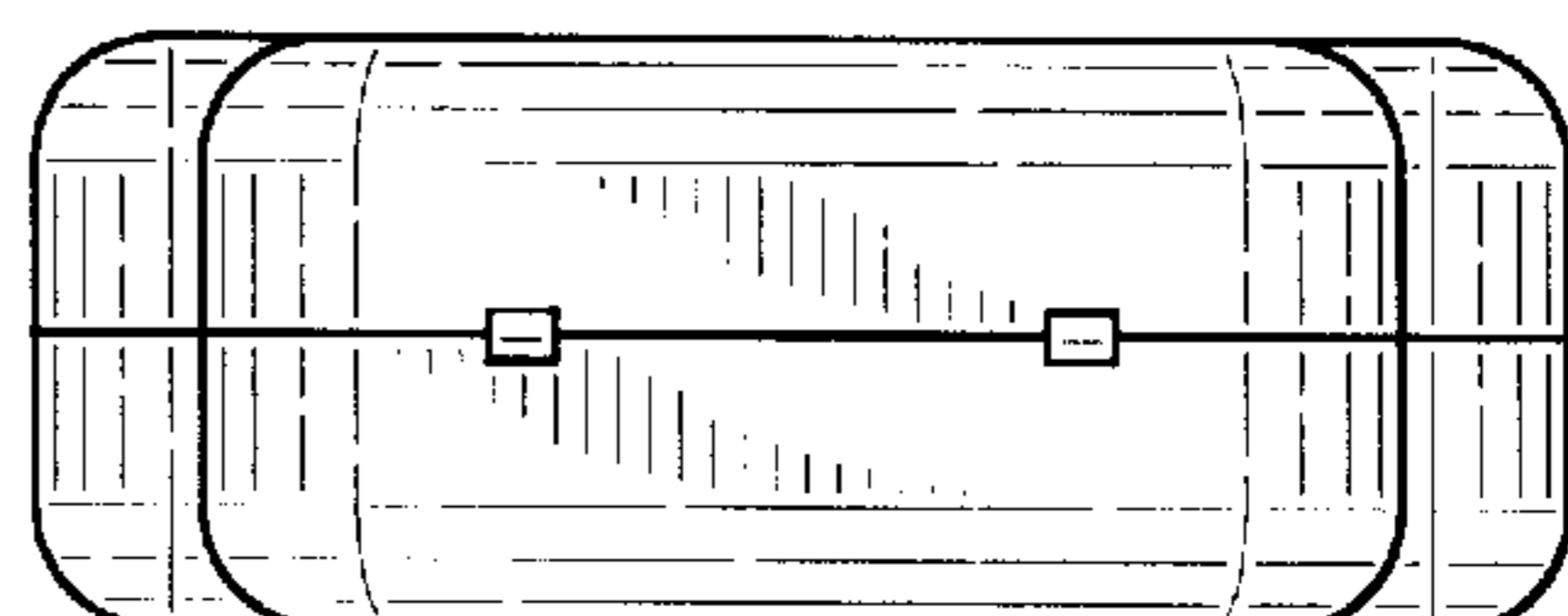


FIG-4

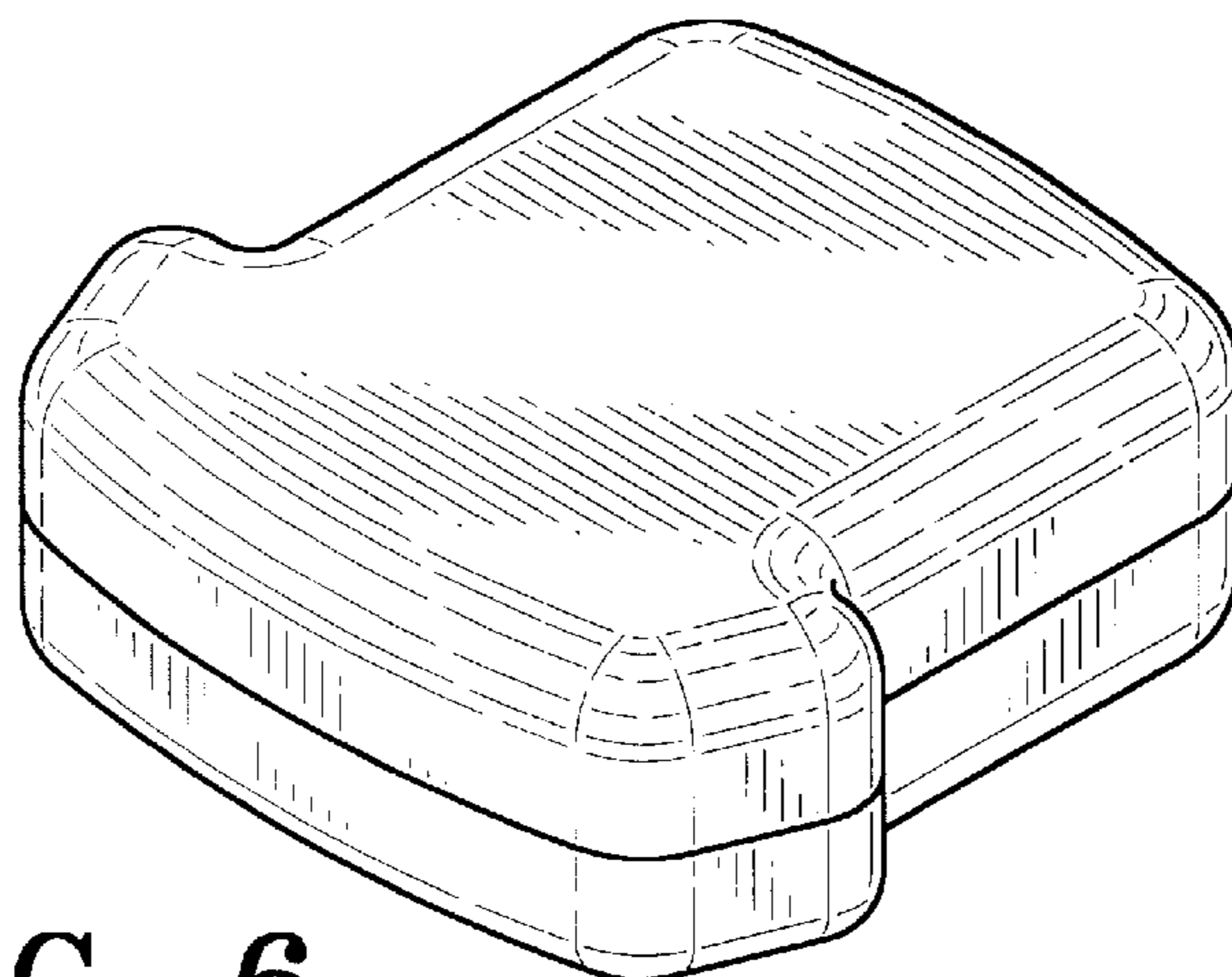


FIG-6

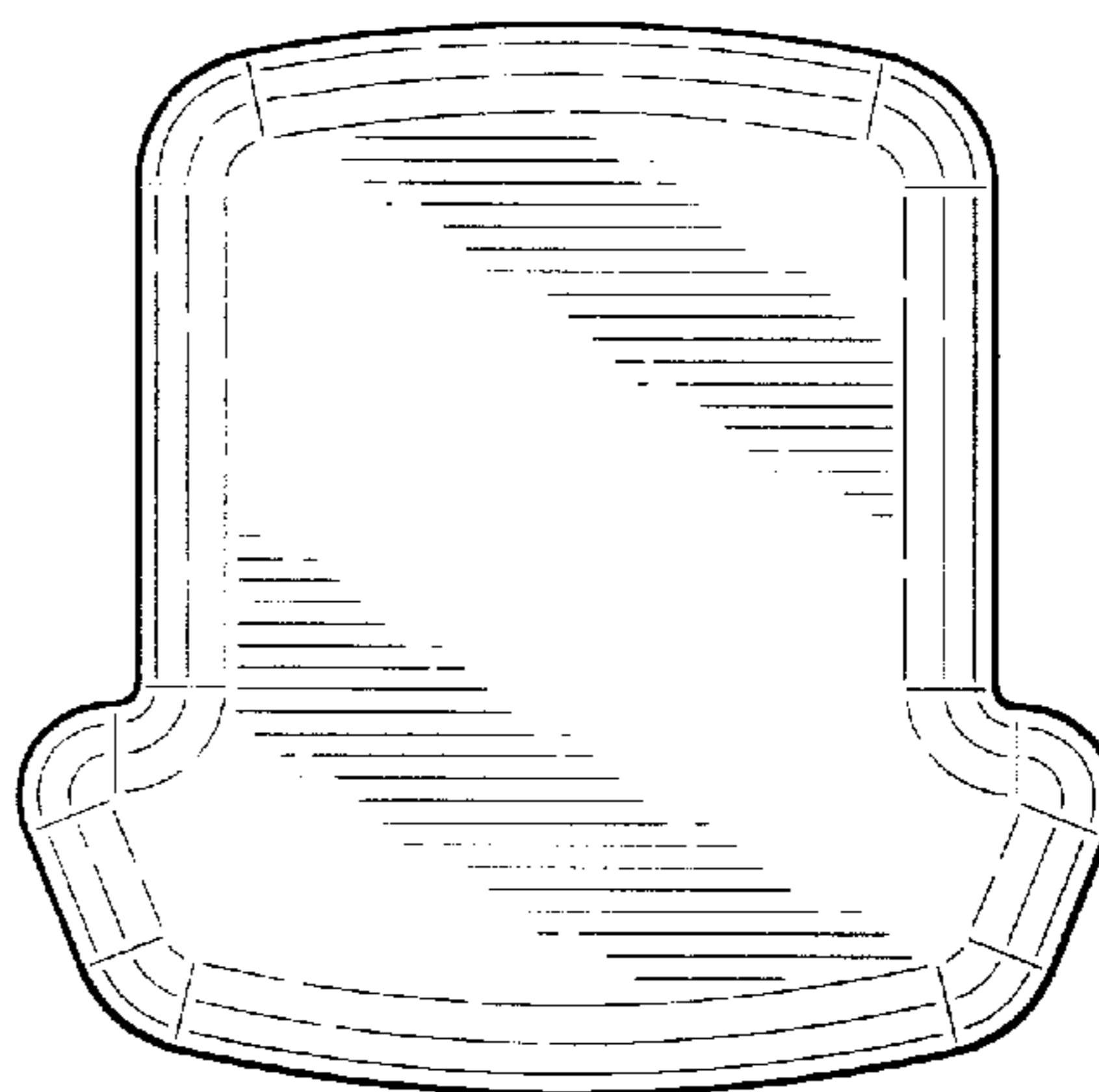


FIG-7

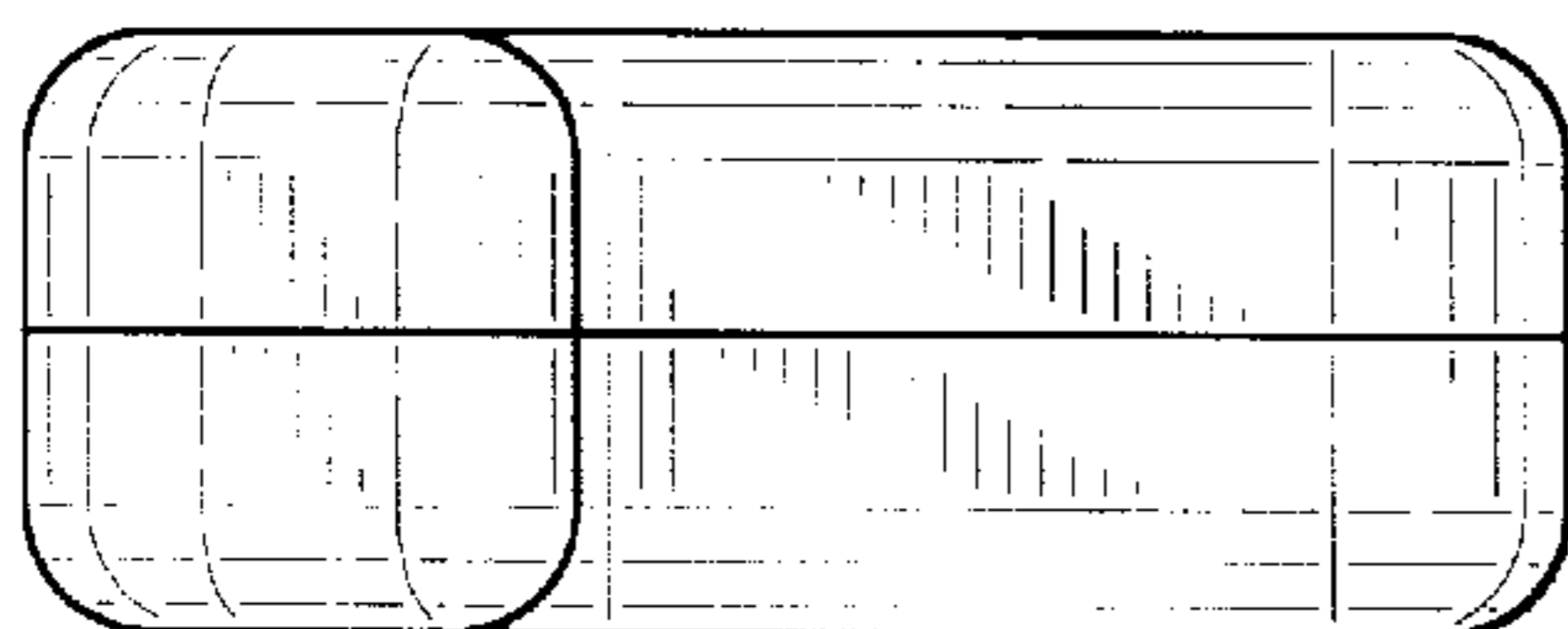


FIG-10

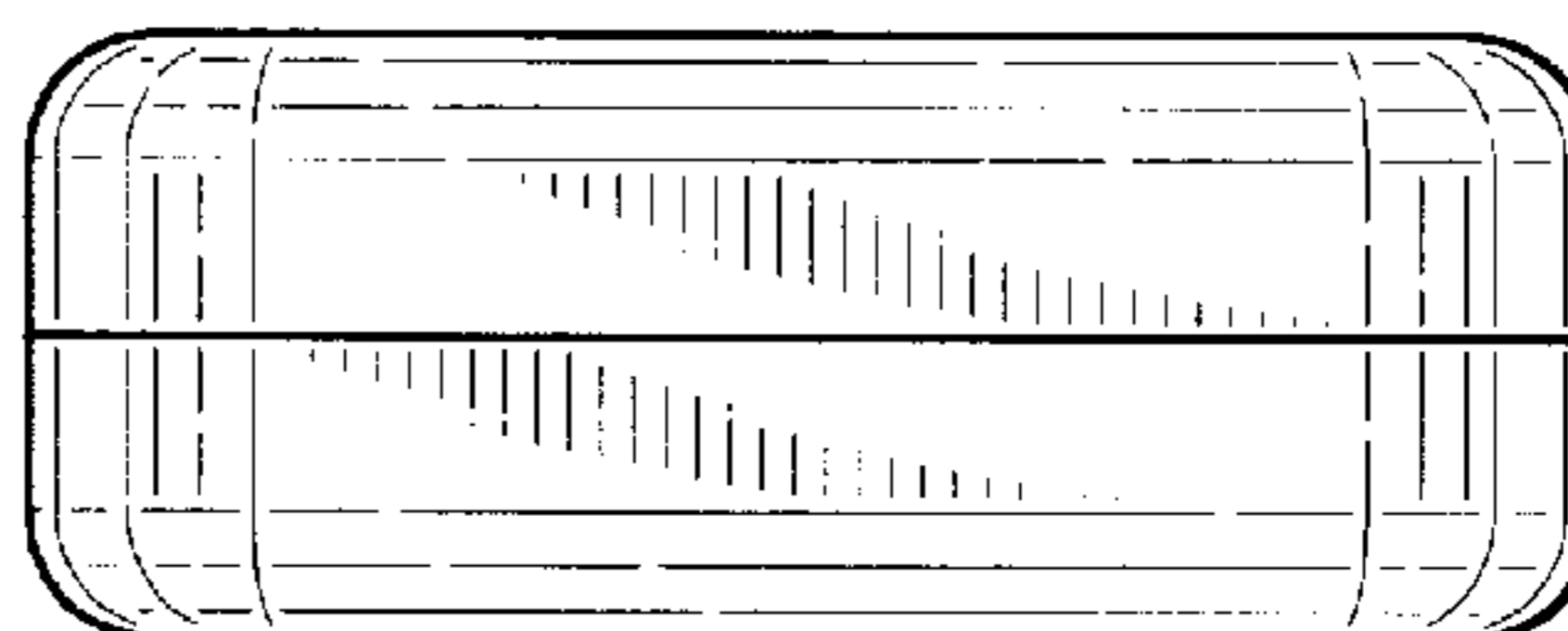


FIG-8

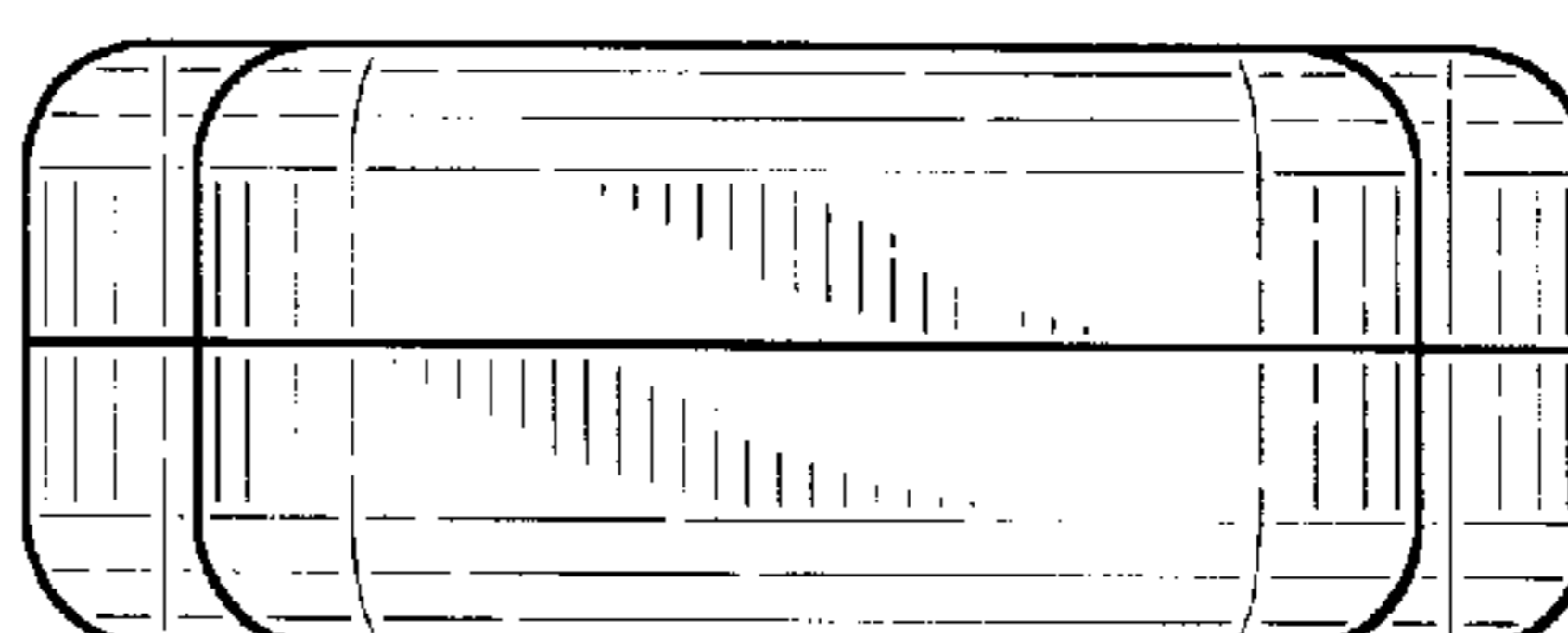


FIG-9