



US00D466035S

(12) **United States Design Patent**
Odachowski

(10) **Patent No.:** **US D466,035 S**

(45) **Date of Patent:** **** Nov. 26, 2002**

(54) **TAPE MEASURE**

(76) **Inventor:** **Mark Odachowski**, 9939 Jerry Mack Rd., Suite 400, Ocean City, MD (US) 21842

(**) **Term:** **14 Years**

(21) **Appl. No.:** **29/157,016**
(22) **Filed:** **Mar. 13, 2002**

Related U.S. Application Data

(60) Division of application No. 29/142,570, filed on May 31, 2001, which is a continuation-in-part of application No. 09/704,324, filed on Nov. 2, 2000, which is a continuation-in-part of application No. 09/494,935, filed on Feb. 1, 2000.

(51) **LOC (7) Cl.** **10-04**
(52) **U.S. Cl.** **D10/72; D10/74**
(58) **Field of Search** **D10/72, 74; 33/755-770**

(56) **References Cited**

U.S. PATENT DOCUMENTS

1,081,673	A	12/1913	Kueffel	
1,986,551	A	1/1935	Anderson	
2,055,281	A	* 9/1936	Dulczewski D10/72 X
3,036,791	A	* 5/1962	Siggelkow 33/758 X
3,120,059	A	* 2/1964	Quenot D10/72 X
3,164,907	A	1/1965	Quenot	
3,270,421	A	9/1966	Jones	
3,289,305	A	12/1966	Norton	
3,686,767	A	8/1972	Duda et al.	
3,774,309	A	11/1973	Leopoldi	
3,908,277	A	9/1975	Rutty	
4,153,996	A	5/1979	Rutty	
4,194,703	A	3/1980	Roe	
4,352,244	A	10/1982	Tomuro	
4,439,927	A	4/1984	Elliott	
4,462,160	A	7/1984	Cohen et al.	
4,603,481	A	8/1986	Cohen et al.	

4,630,376	A	* 12/1986	Pentecost 33/760
4,696,110	A	9/1987	Walker et al.	
4,748,746	A	6/1988	Jacoff	
4,938,430	A	7/1990	Chapin	
5,210,956	A	5/1993	Knispel	
5,245,761	A	9/1993	Waldherr	
D360,838	S	* 8/1995	Lin D10/72
5,531,395	A	* 7/1996	Hsu 33/767
5,657,551	A	8/1997	Lin	
5,718,056	A	2/1998	Miyasaka et al.	
5,806,202	A	* 9/1998	Blackman et al. 33/767
5,894,677	A	4/1999	Hoffman	
5,913,586	A	6/1999	Marshall	
5,983,514	A	11/1999	Lindsey	
D423,959	S	* 5/2000	Taylor D10/72
6,131,844	A	* 10/2000	Hsu 33/761 X
D443,215	S	* 6/2001	Croya et al. D10/72

* cited by examiner

Primary Examiner—Antoine Duval Davis
(74) *Attorney, Agent, or Firm*—Oblon, Spivak, McClelland, Maier & Neustadt, P.C.

(57) **CLAIM**

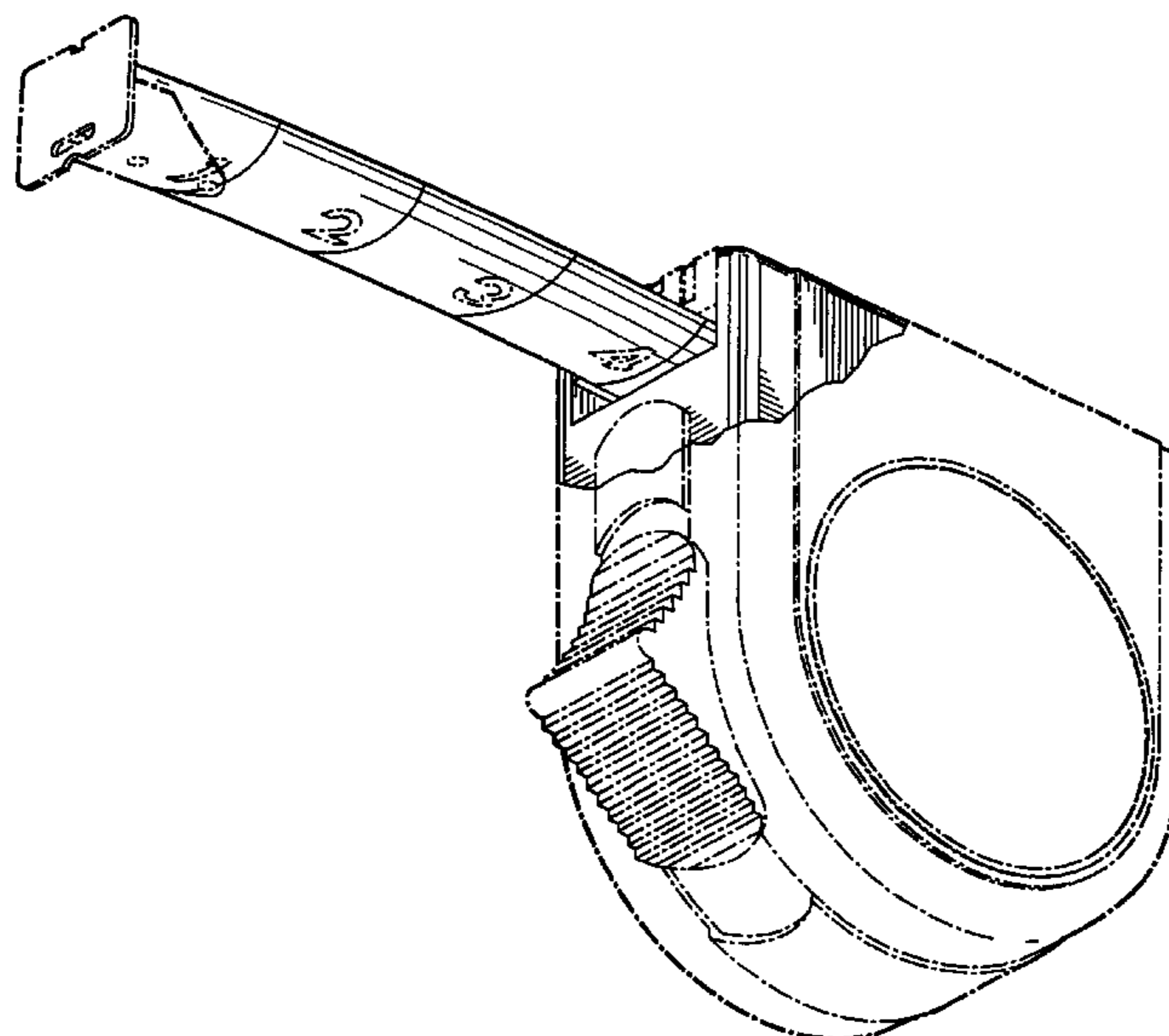
The ornamental design for a tape measure, as shown and described.

DESCRIPTION

FIG. 1 is a bottom, front and left side perspective view of the tape measure showing my design;
FIG. 2 is a front elevational view thereof;
FIG. 3 is a rear elevational view thereof;
FIG. 4 is a left side elevational view thereof;
FIG. 5 is a right side elevational view thereof;
FIG. 6 is a bottom plan view thereof; and,
FIG. 7 is a top plan view thereof.

The broken line showing in the drawings is for illustrative purposes and forms no part of the claimed design.

1 Claim, 5 Drawing Sheets



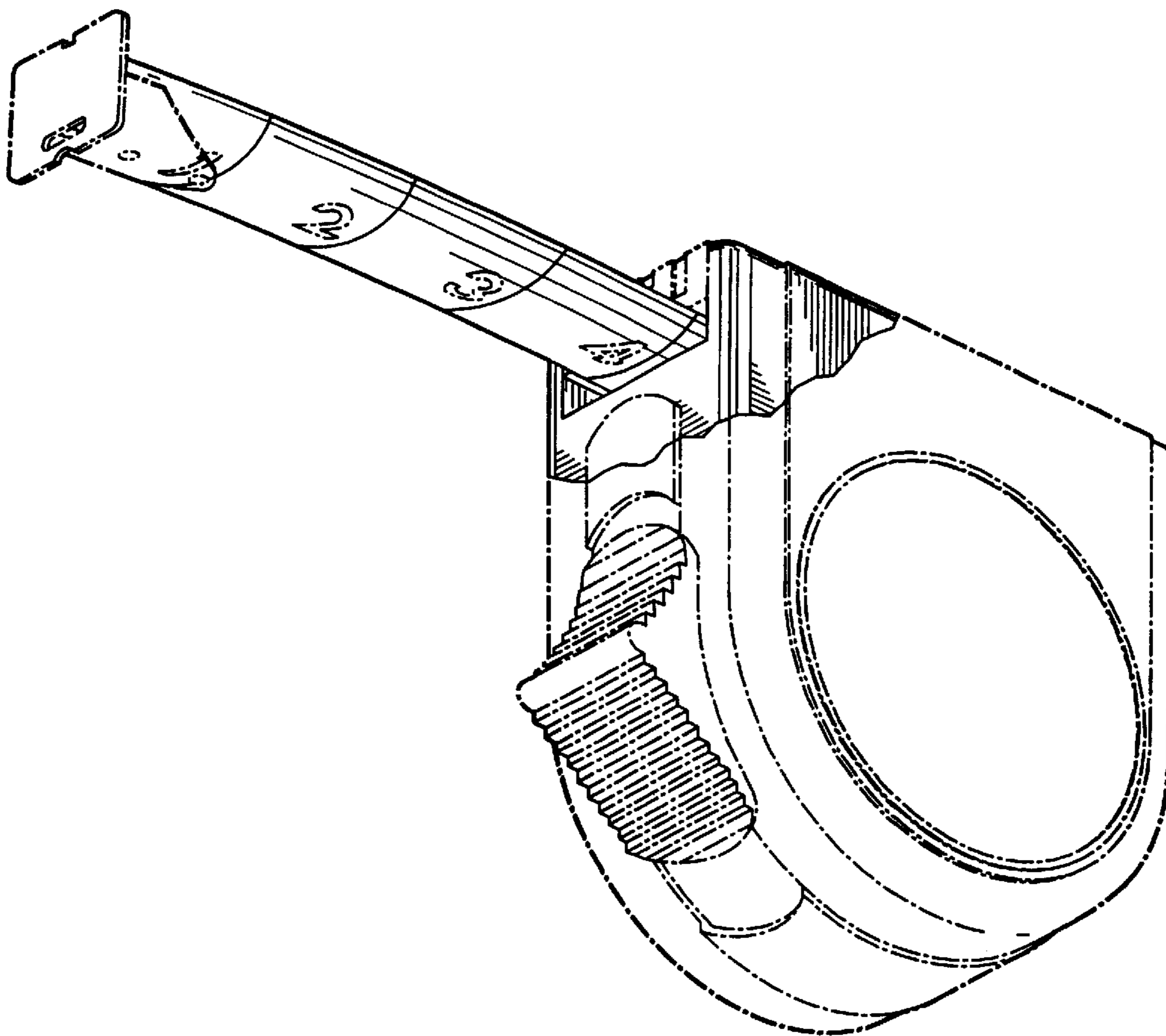


FIG. 1

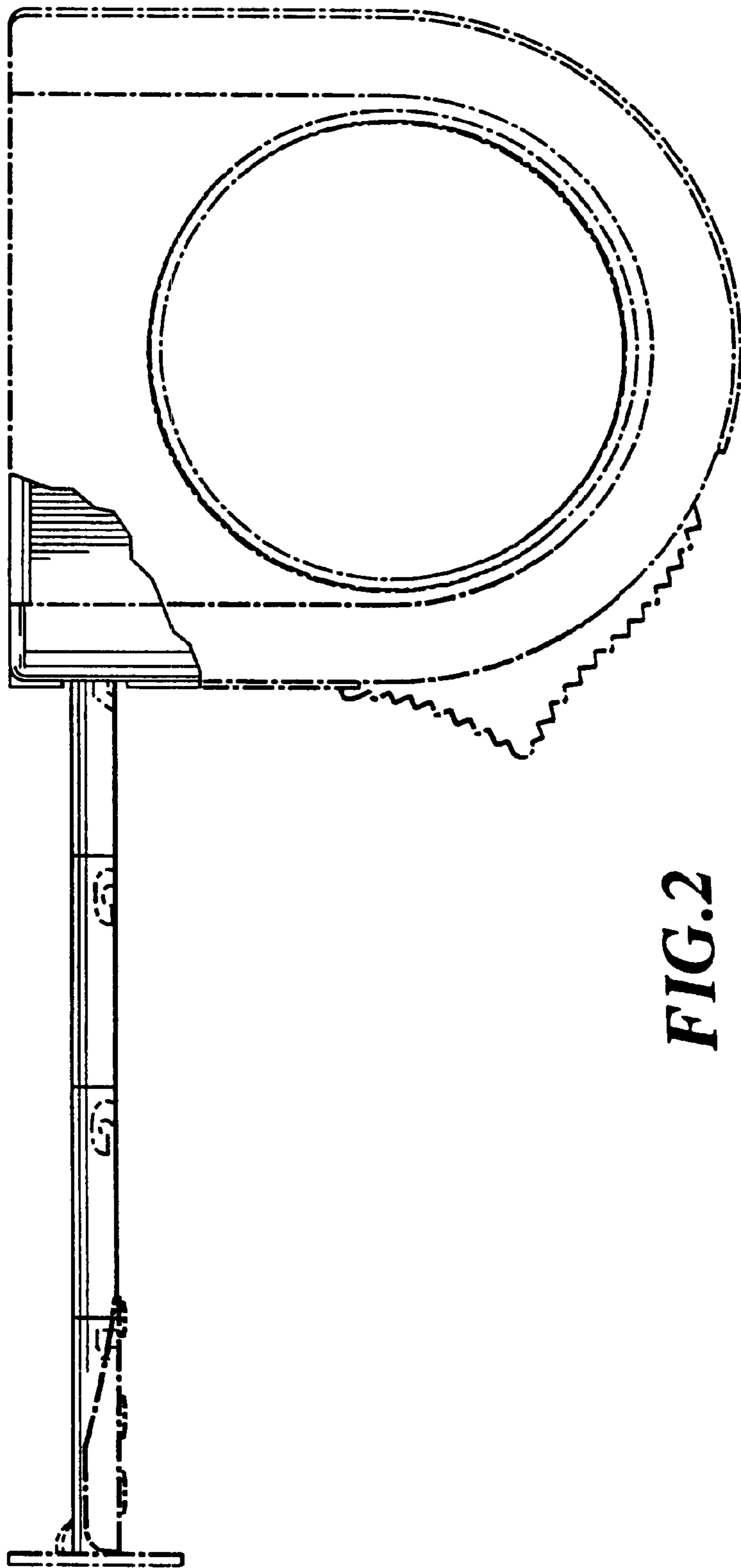


FIG. 2

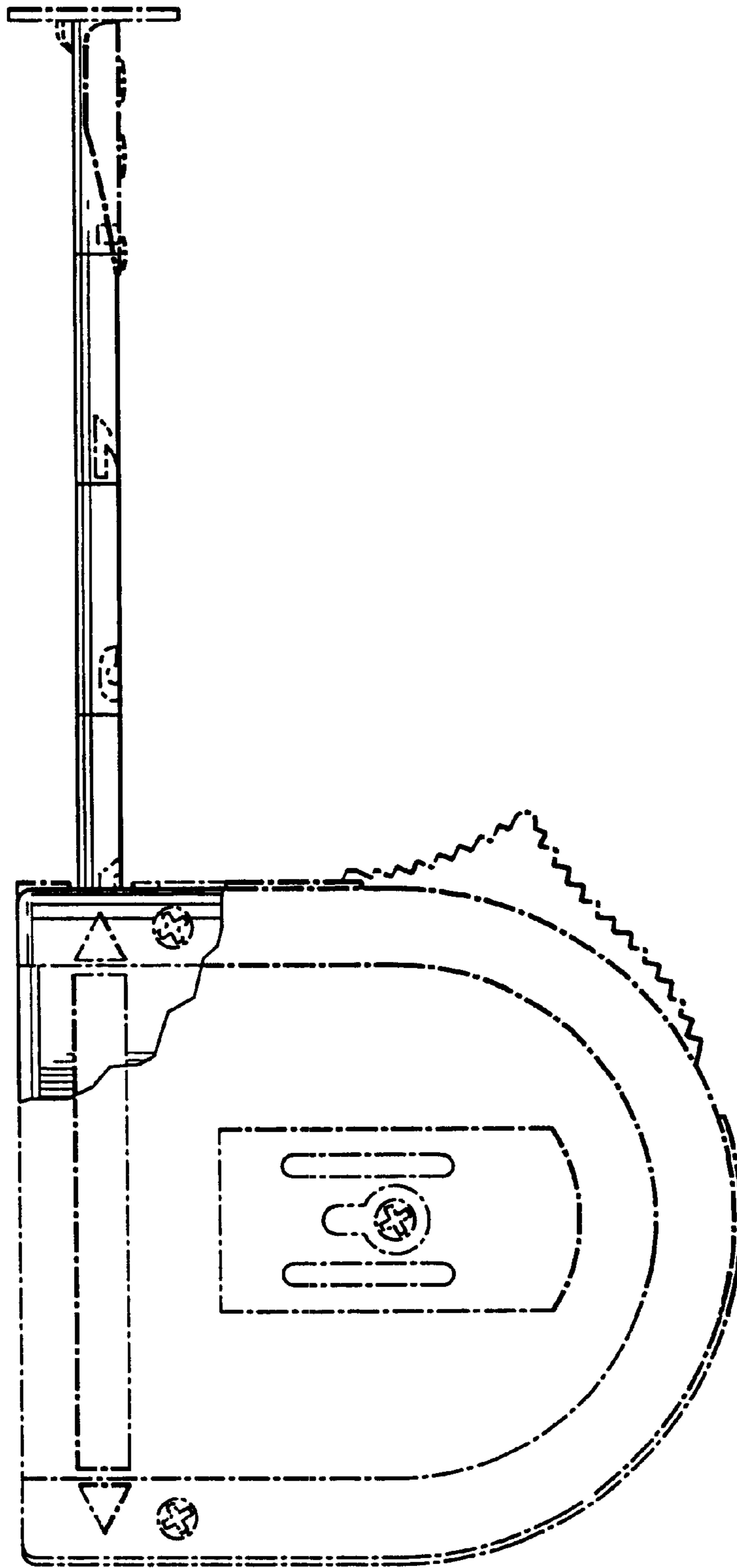


FIG. 3

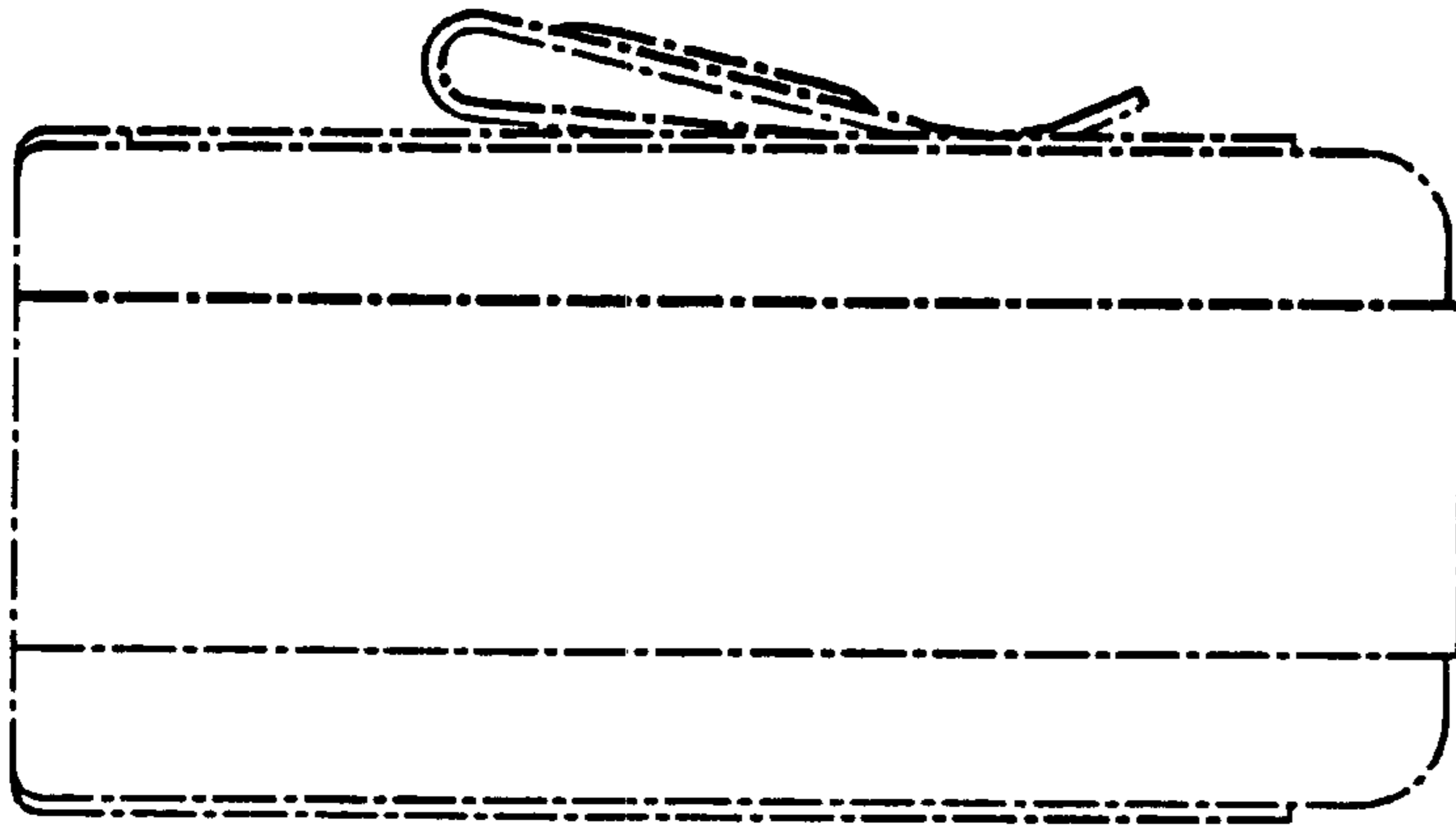


FIG. 5

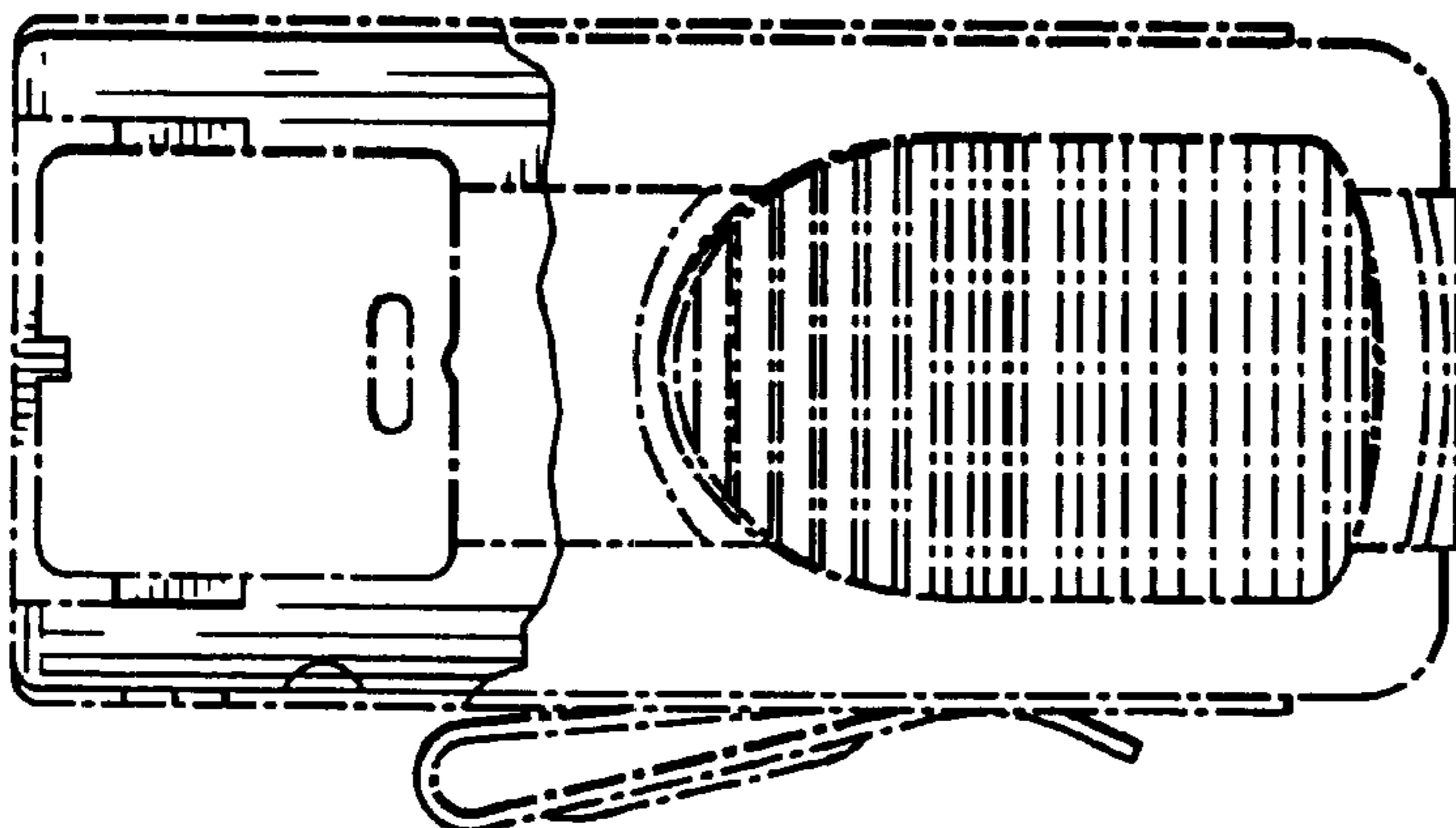


FIG. 4

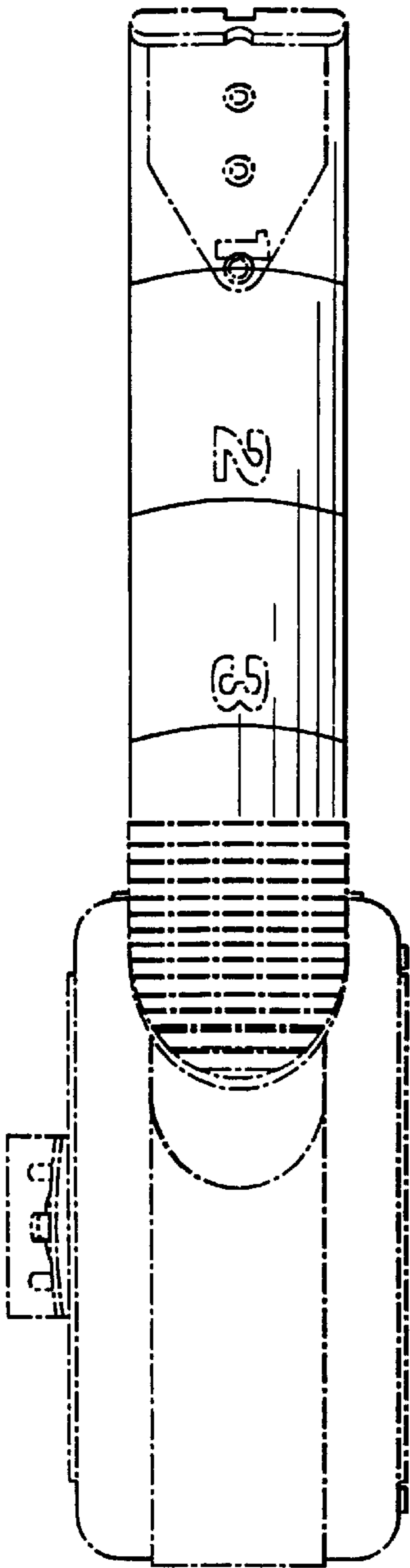


FIG. 6

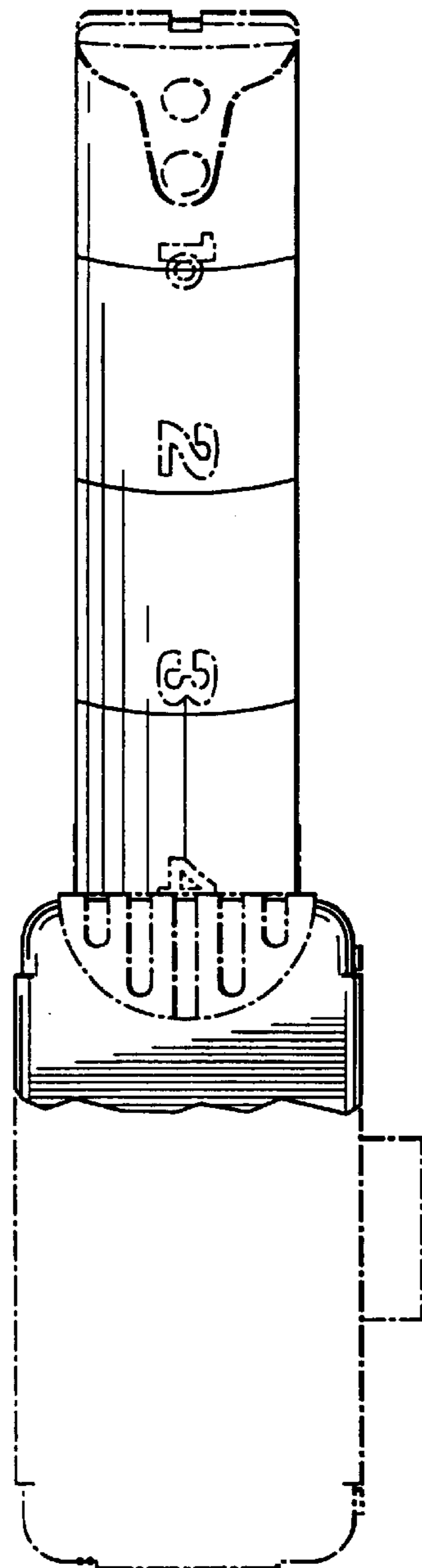


FIG. 7