



US00D466030S

(12) **United States Design Patent**
Houlihan

(10) **Patent No.:** **US D466,030 S**

(45) **Date of Patent:** **** Nov. 26, 2002**

(54) **CASING FOR A WATCH**

D416,812 S 11/1999 Houlihan et al.
D417,401 S 12/1999 Houlihan et al.

(75) Inventor: **John T. Houlihan**, Watertown, CT (US)

* cited by examiner

(73) Assignee: **Timex Group B.V.** (NL)

Primary Examiner—Nelson C. Holtje

(**) Term: **14 Years**

(74) *Attorney, Agent, or Firm*—Carmody & Torrance LLP

(21) Appl. No.: **29/144,397**

(57) **CLAIM**

(22) Filed: **Jun. 29, 2001**

The ornamental design for a casing for a watch, as shown and described.

(51) **LOC (7) Cl.** **10-02**

DESCRIPTION

(52) **U.S. Cl.** **D10/30**

(58) **Field of Search** D10/30-39, 122-132;
368/281-282, 276-277, 285, 82-84, 41-44,
239-242

FIG. 1 is a perspective view of a casing for a watch showing my new design;

FIG. 2 is a left side elevational view thereof;

FIG. 3 is a top plan view thereof;

FIG. 4 is a right side elevational view thereof;

FIG. 5 is a first end elevational view thereof;

FIG. 6 is a second end elevational view thereof; and,

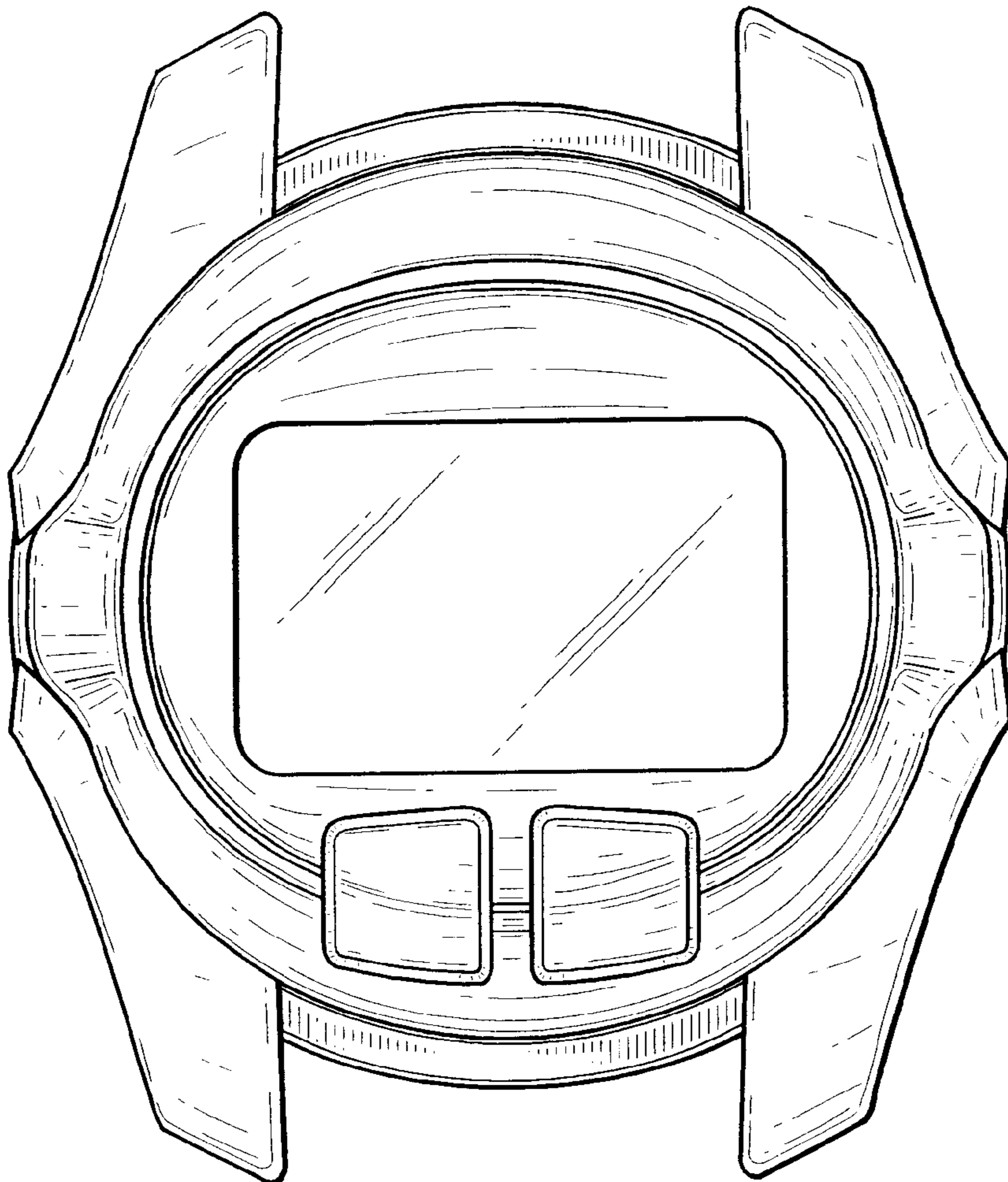
FIG. 7 is a bottom plan view.

(56) **References Cited**

U.S. PATENT DOCUMENTS

D386,694 S * 11/1997 Houlihan D10/30
D402,210 S * 12/1998 Sang D10/30
D411,957 S * 7/1999 Ramos D10/30

1 Claim, 3 Drawing Sheets



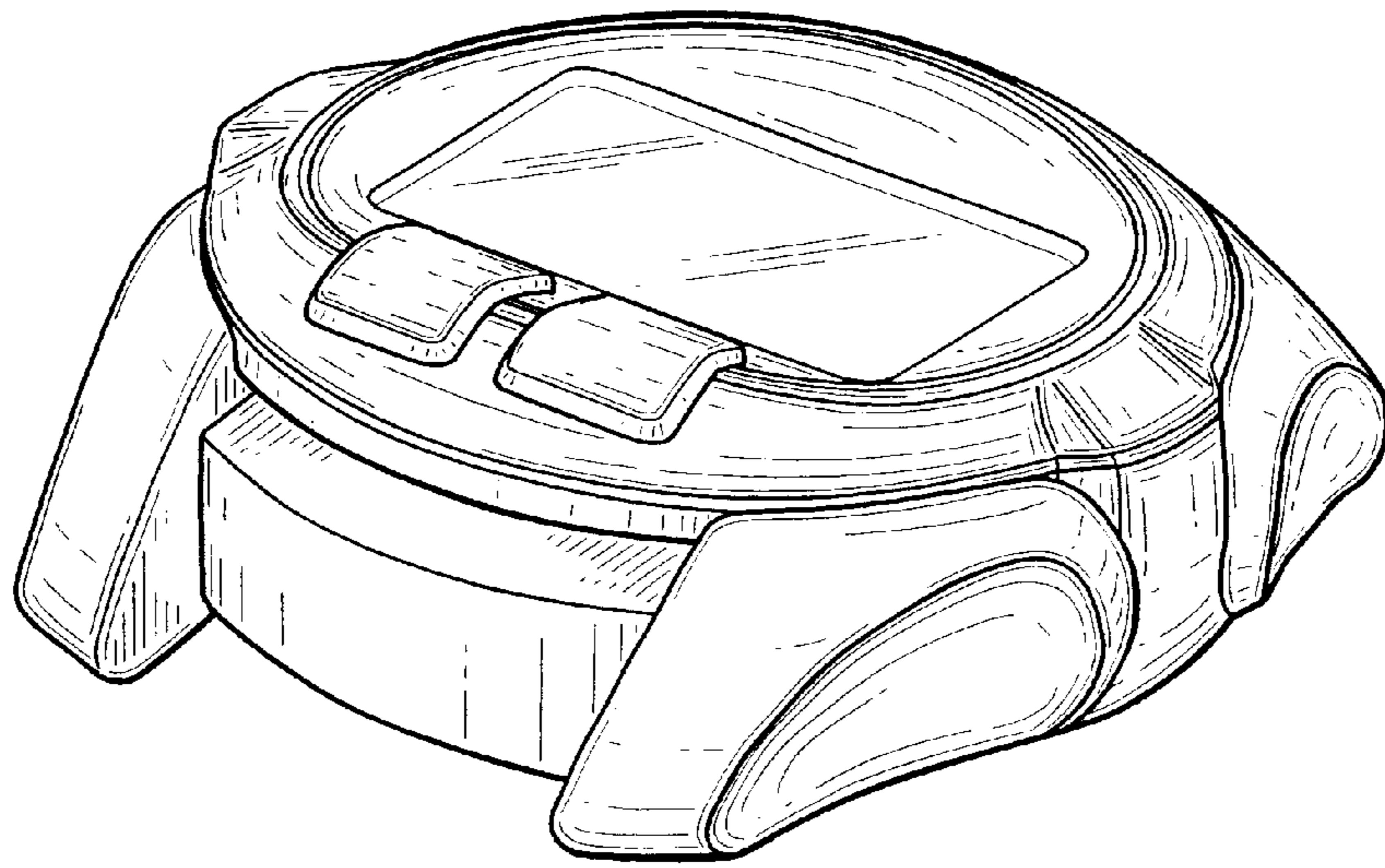


FIG. 1

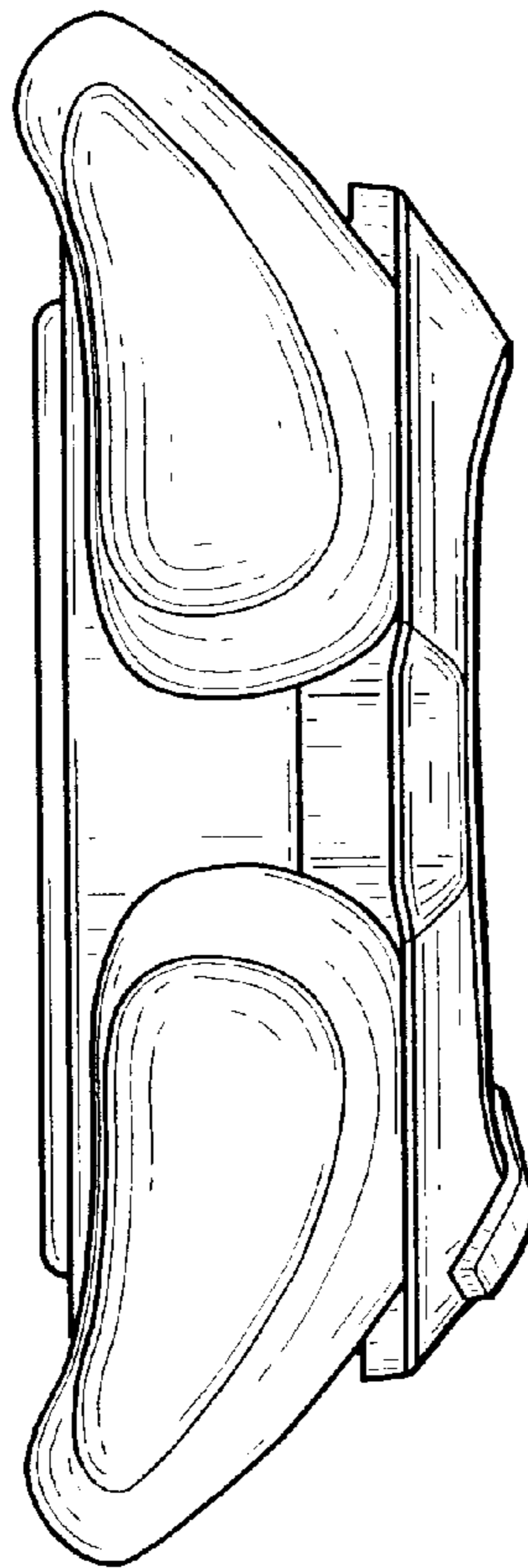


FIG. 2

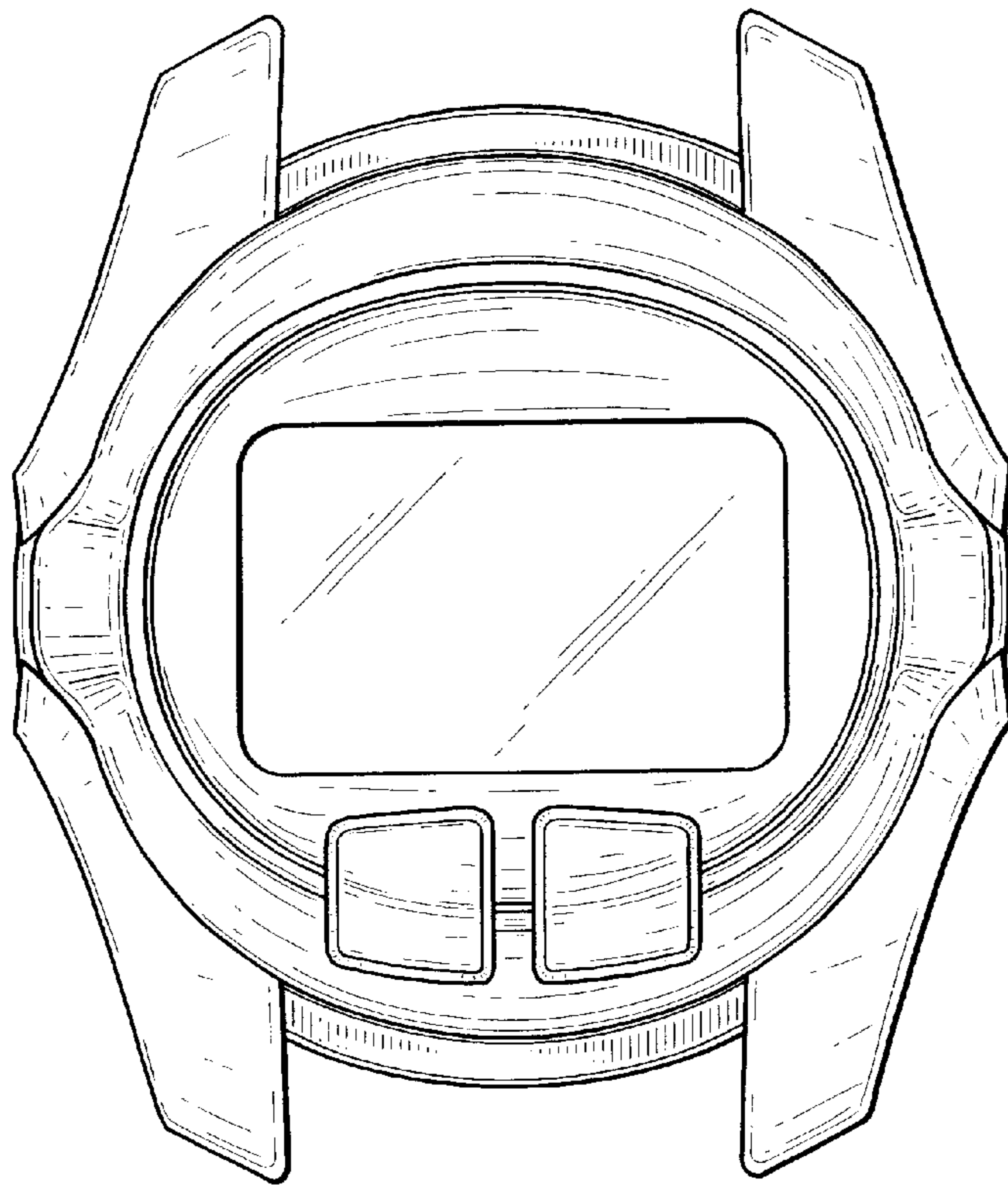


FIG. 3

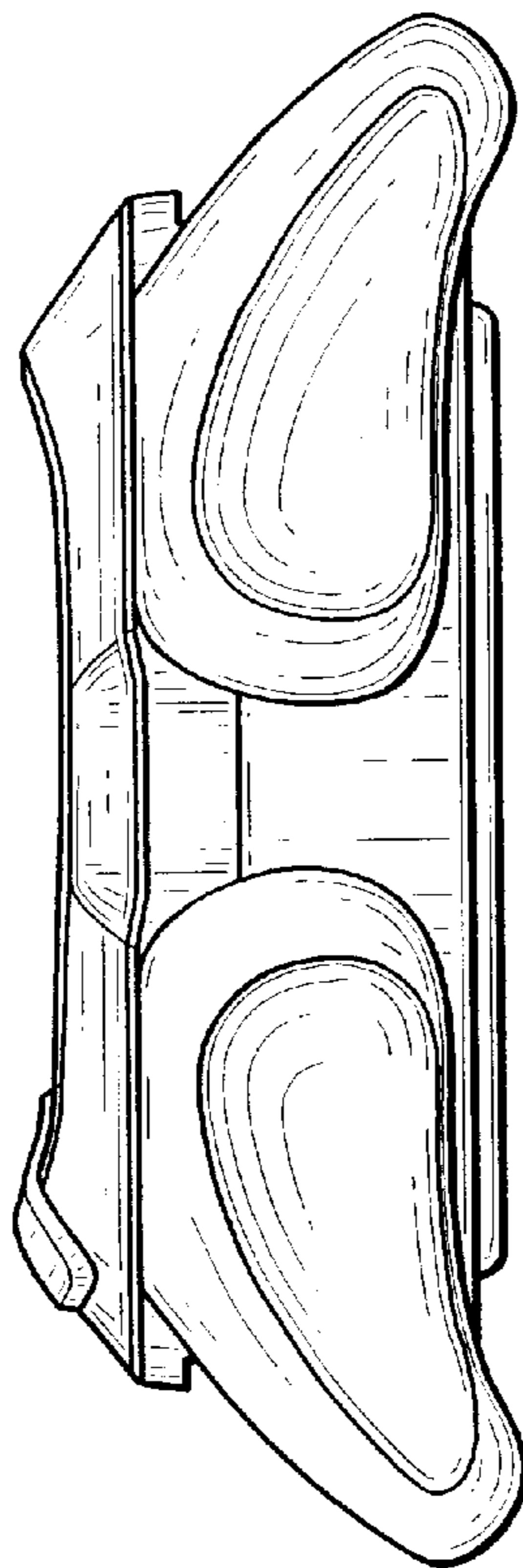


FIG. 4

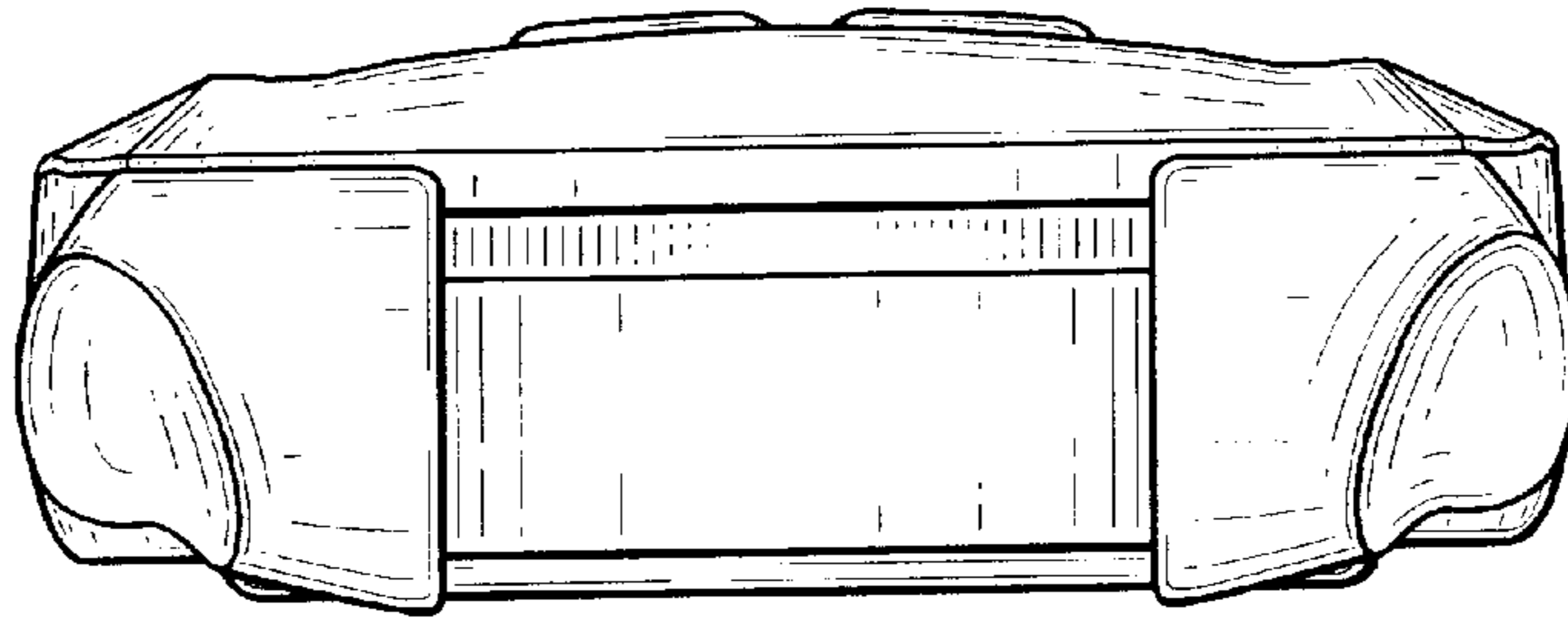


FIG. 5

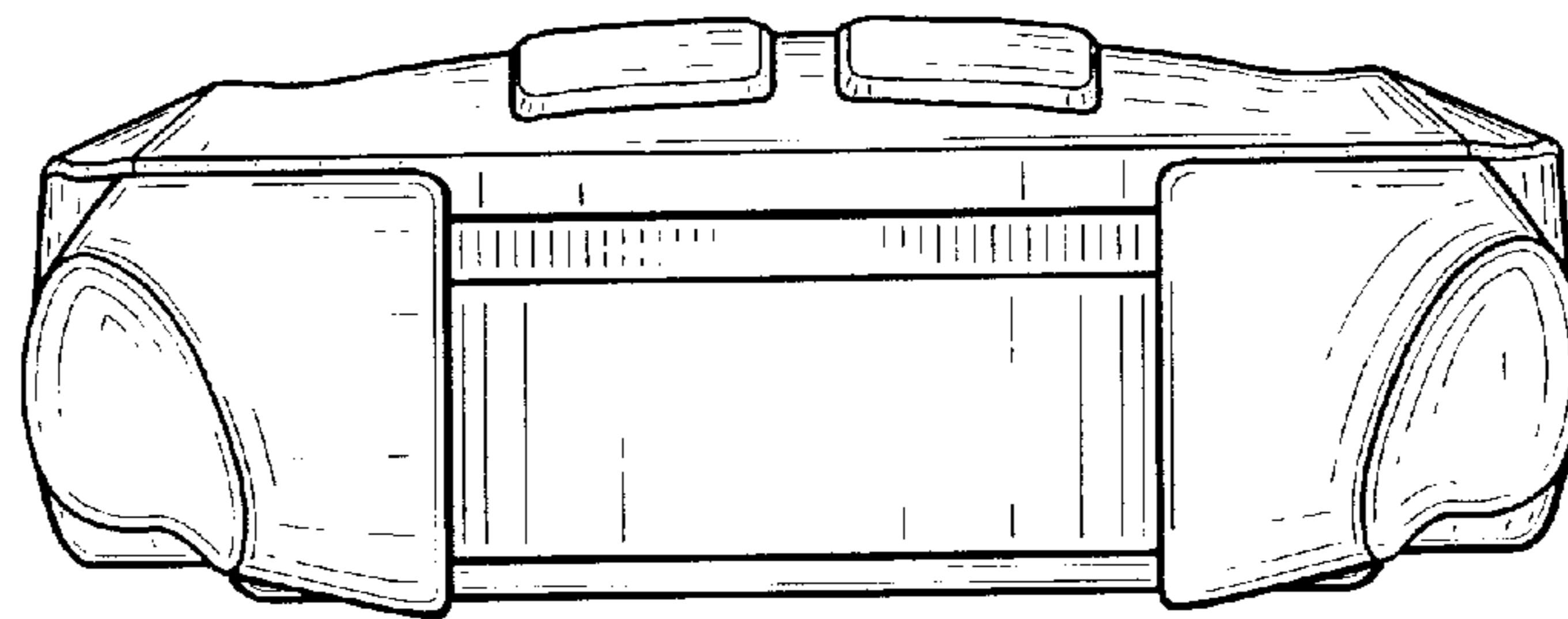


FIG. 6

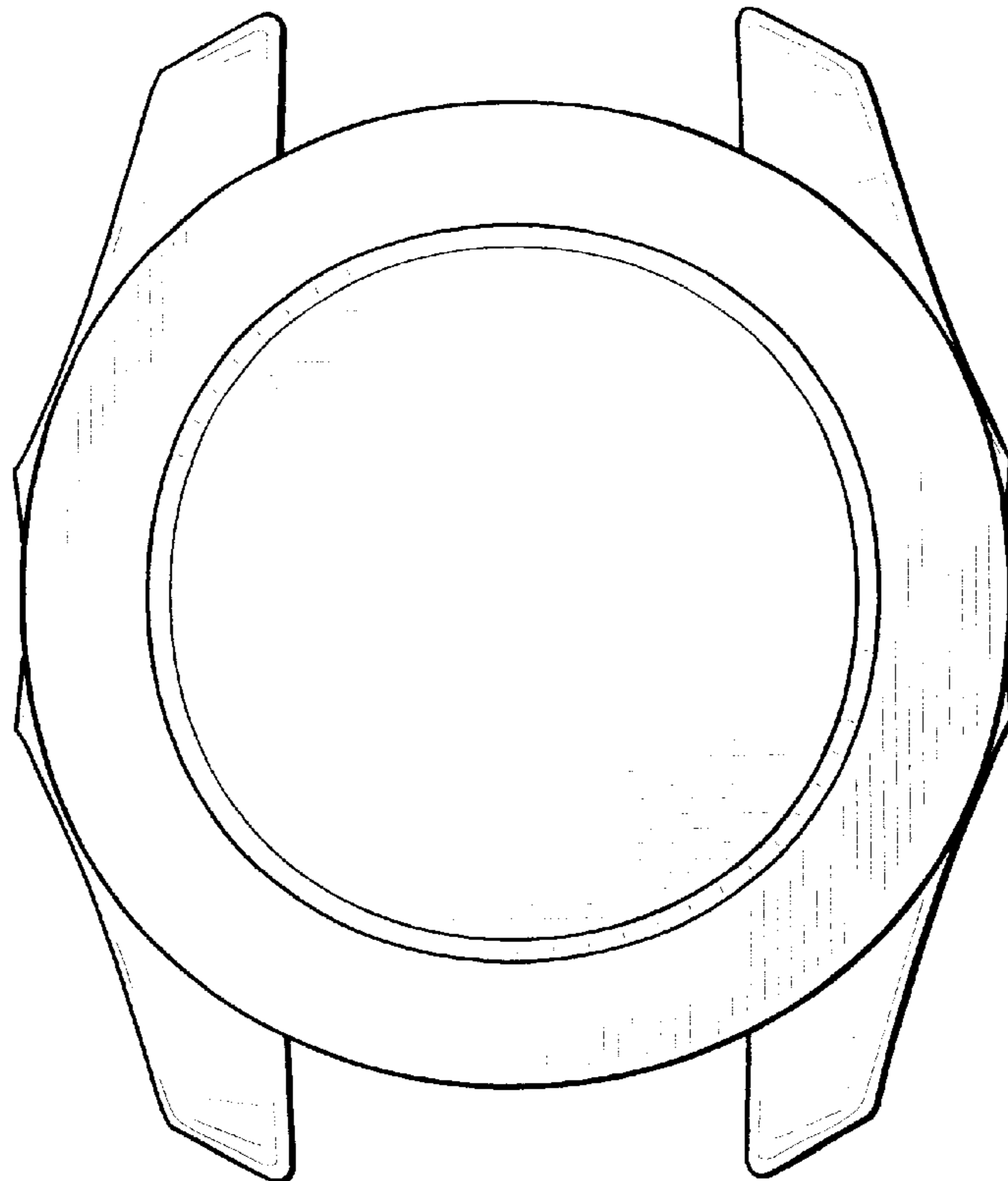


FIG. 7