



US00D466025S

(12) **United States Design Patent**
Orner

(10) **Patent No.:** **US D466,025 S**

(45) **Date of Patent:** **** Nov. 26, 2002**

(54) **TIME PIECE**

D312,415 S * 11/1990 Muller et al. D10/31
D436,373 S * 1/2001 Mershon D19/34

(76) Inventor: **Guy Orner**, 2400 Duxbury Pl., Los Angeles, CA (US) 90034

* cited by examiner

(**) Term: **14 Years**

Primary Examiner—Nelson C. Holtje
(74) *Attorney, Agent, or Firm*—Cislo & Thomas LLP

(21) Appl. No.: **29/159,838**

(57) **CLAIM**

(22) Filed: **Apr. 24, 2002**

The ornamental design for a time piece, as shown and described herein.

(51) **LOC (7) Cl.** **10-01**

(52) **U.S. Cl.** **D10/2; D10/23**

(58) **Field of Search** D10/1-40, 122-132;
368/276-278, 285, 316-317; 248/442; 224/670,
152

DESCRIPTION

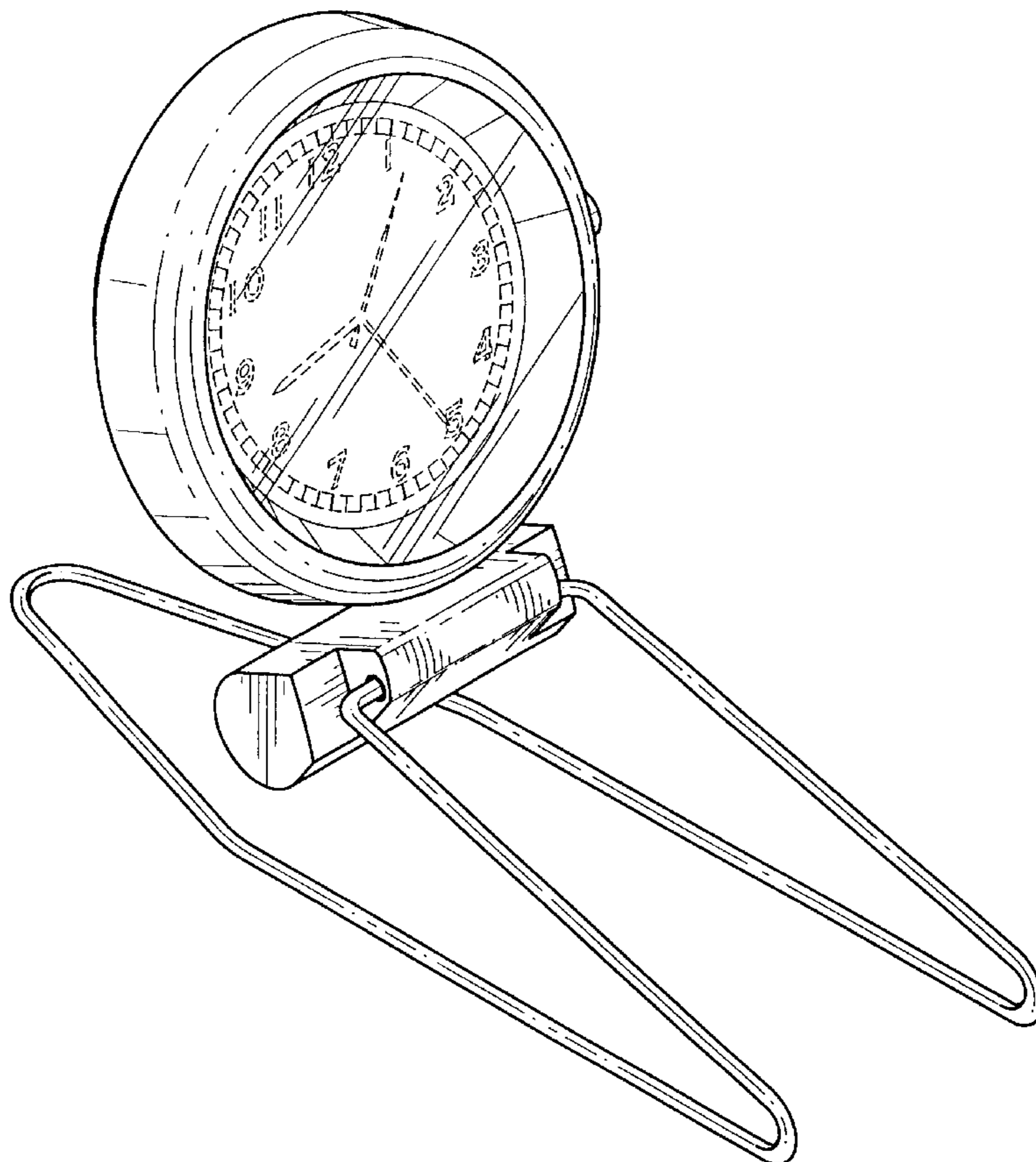
(56) **References Cited**

U.S. PATENT DOCUMENTS

1,349,402 A	8/1920	Wiggers	248/442
1,479,008 A	1/1924	Powers	224/152
D103,760 S	* 3/1937	Brown	D10/23 X
D109,210 S	* 4/1938	Darrot	D10/23
2,124,945 A	7/1938	Gross	368/278
2,421,253 A	* 5/1947	Fleishner	248/442
2,509,428 A	5/1950	Greene	224/670
D173,142 S	* 10/1954	Bruce	D10/23
3,214,685 A	* 10/1965	Brenner	224/152
3,777,953 A	* 12/1973	Lewis	368/281
4,326,280 A	4/1982	Perry, Jr.	368/277

FIG. 1. Is a perspective view of my time piece in the upright position with the phantom figures and numerals being shown for illustration purposes only;
FIG. 2. Is a front view thereof;
FIG. 3. Is a back view thereof;
FIG. 4. Is a top view thereof;
FIG. 5. Is a bottom view thereof;
FIG. 6. Is a right side elevational view thereof;
FIG. 7. Is a left side elevational view thereof;
FIG. 8. Is a view similar to FIG. 6 but showing the time piece in the folded down position; and,
FIG. 9. Is a perspective view of the time piece of FIG. 1 shown in the folded-down position.
The broken line showing of a dial face is for illustrative purposes only and forms no part of the claimed design.

1 Claim, 4 Drawing Sheets



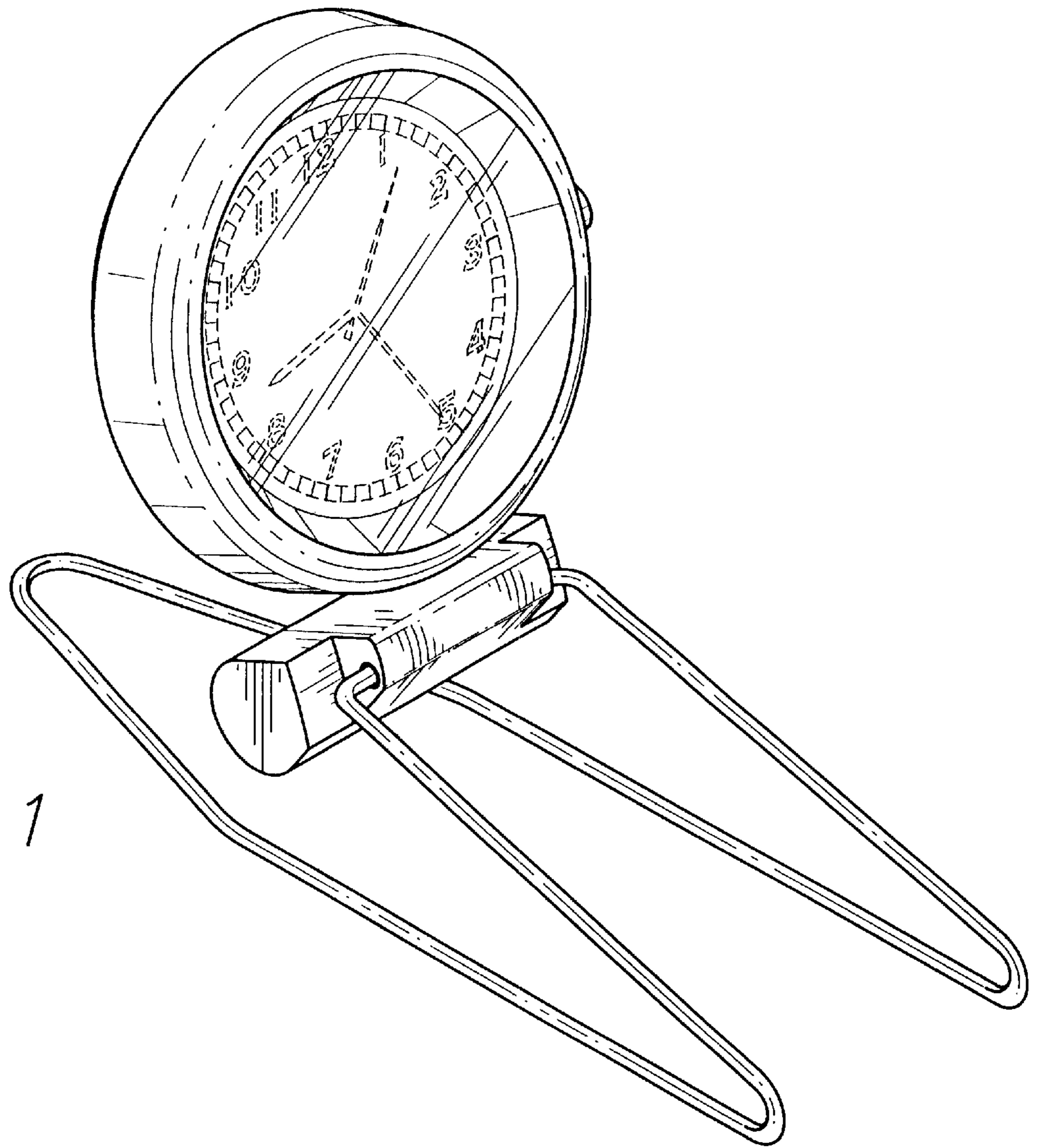


FIG. 1

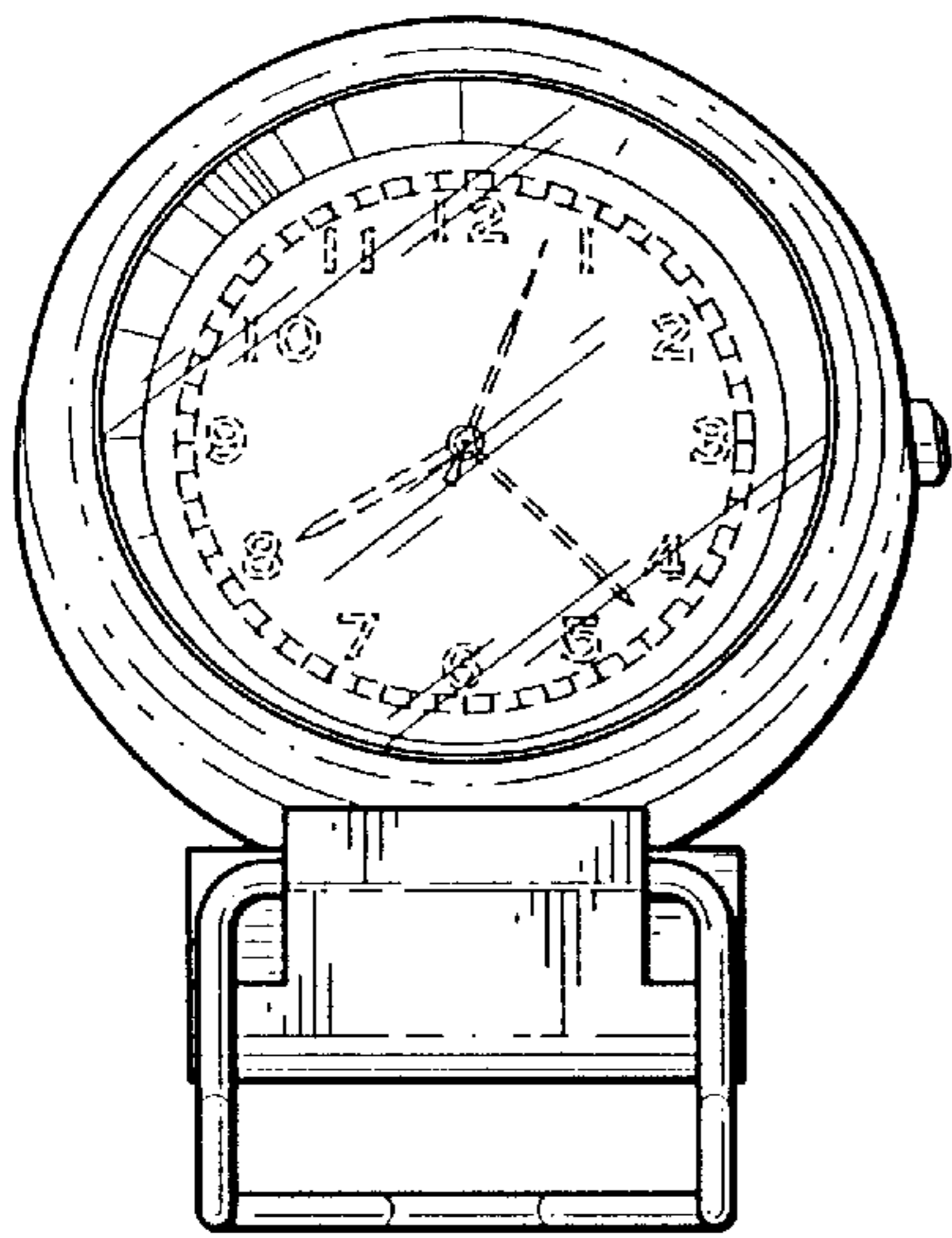


FIG. 2

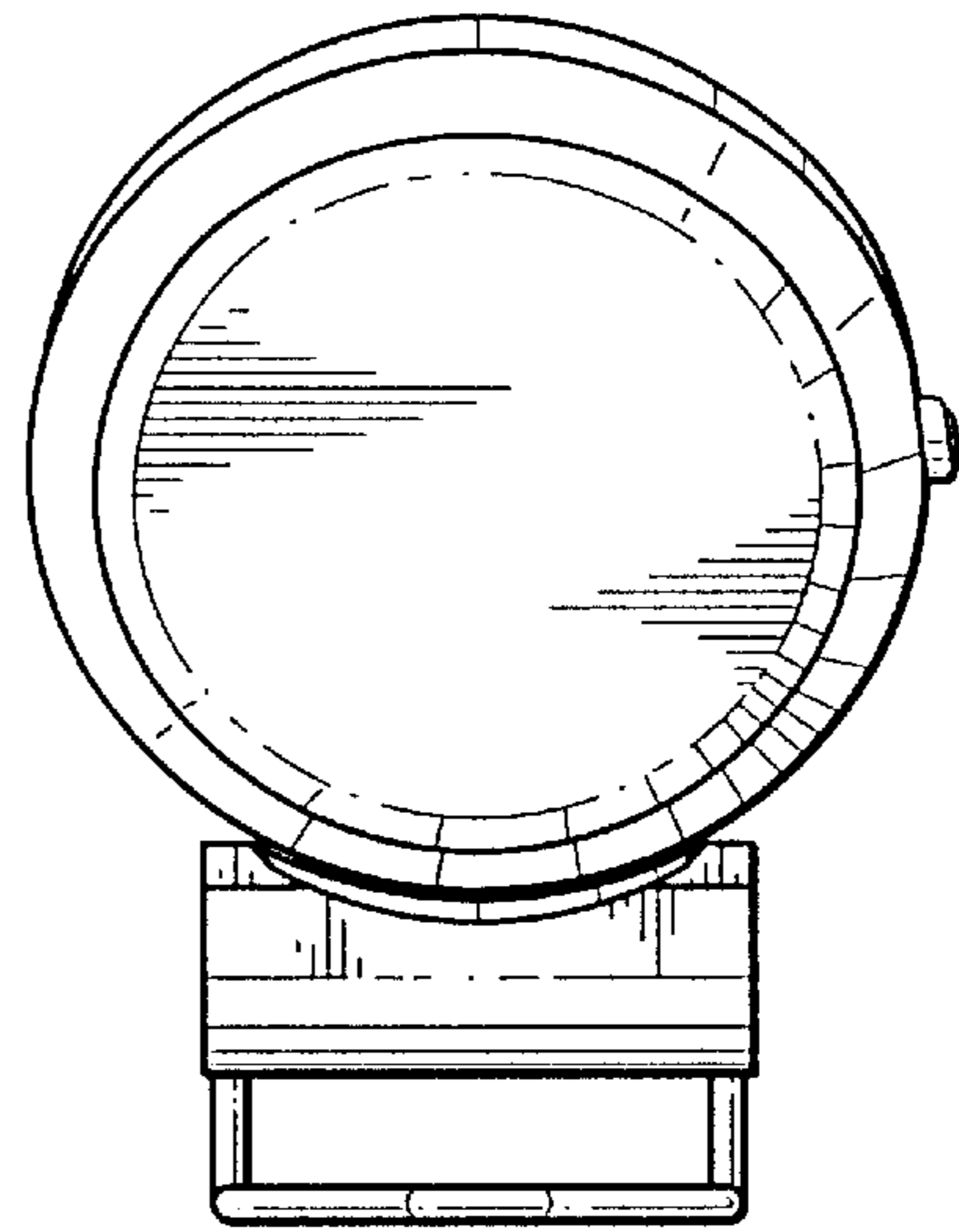


FIG. 3

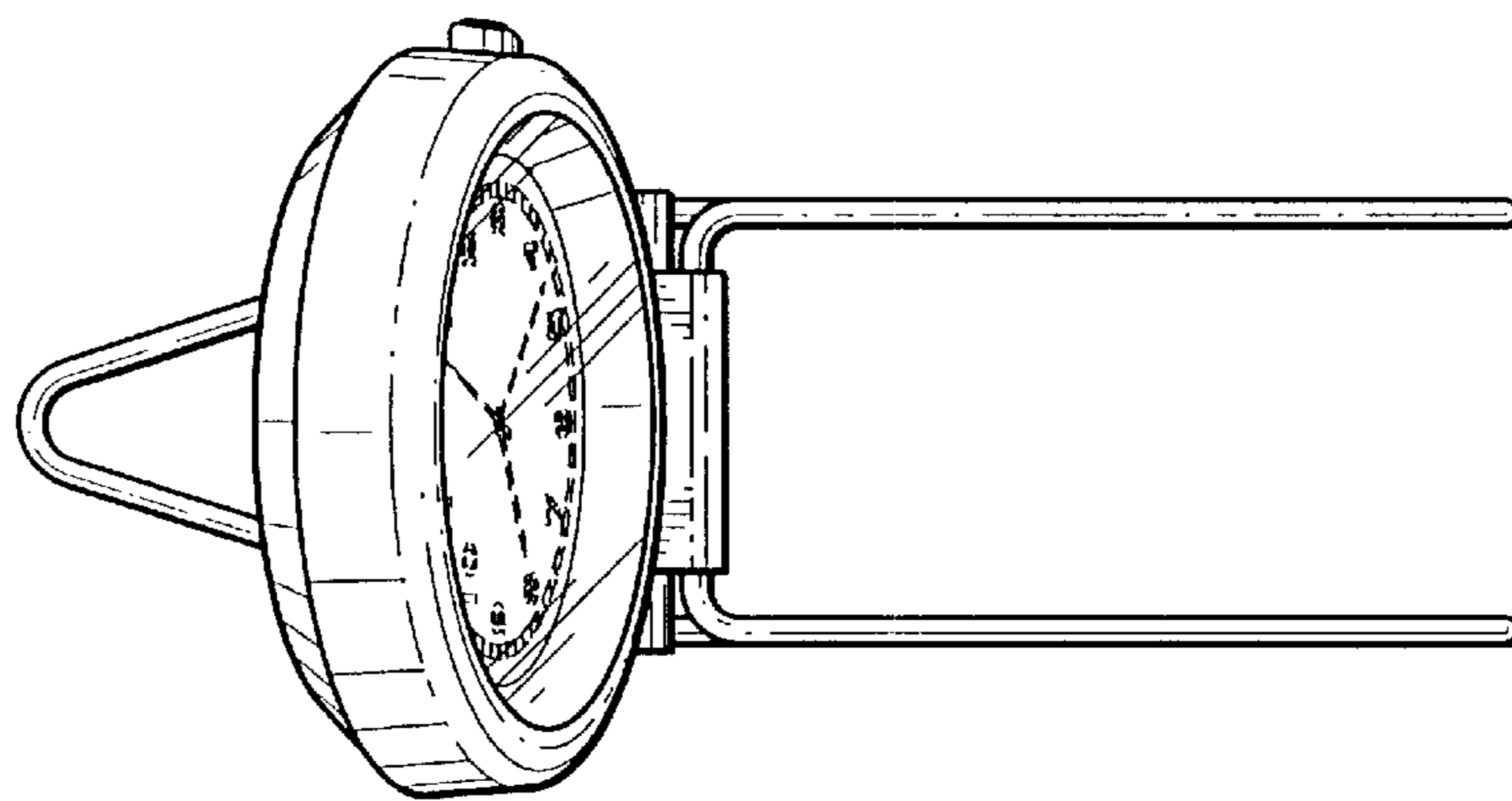


FIG. 4

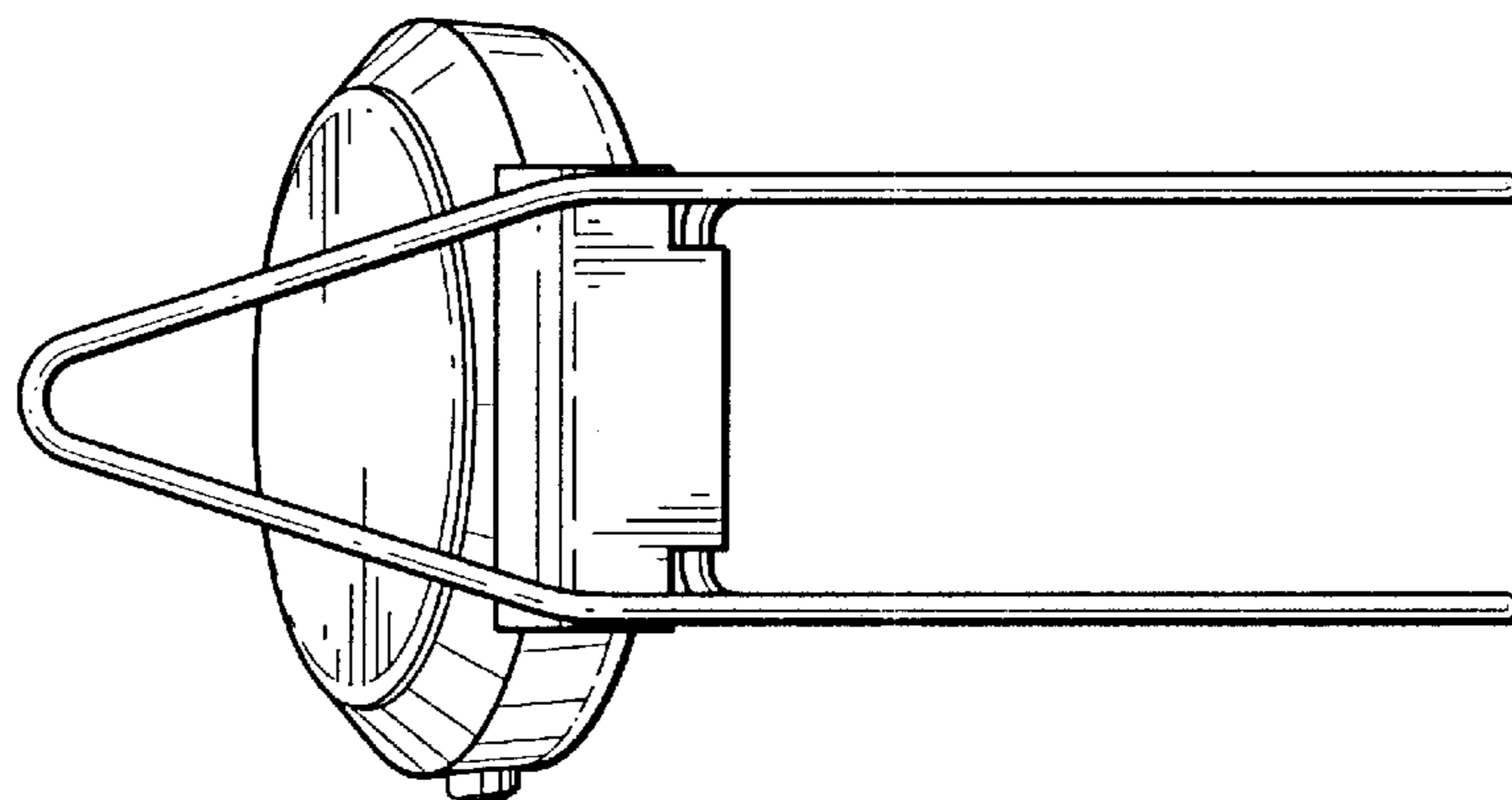


FIG. 5

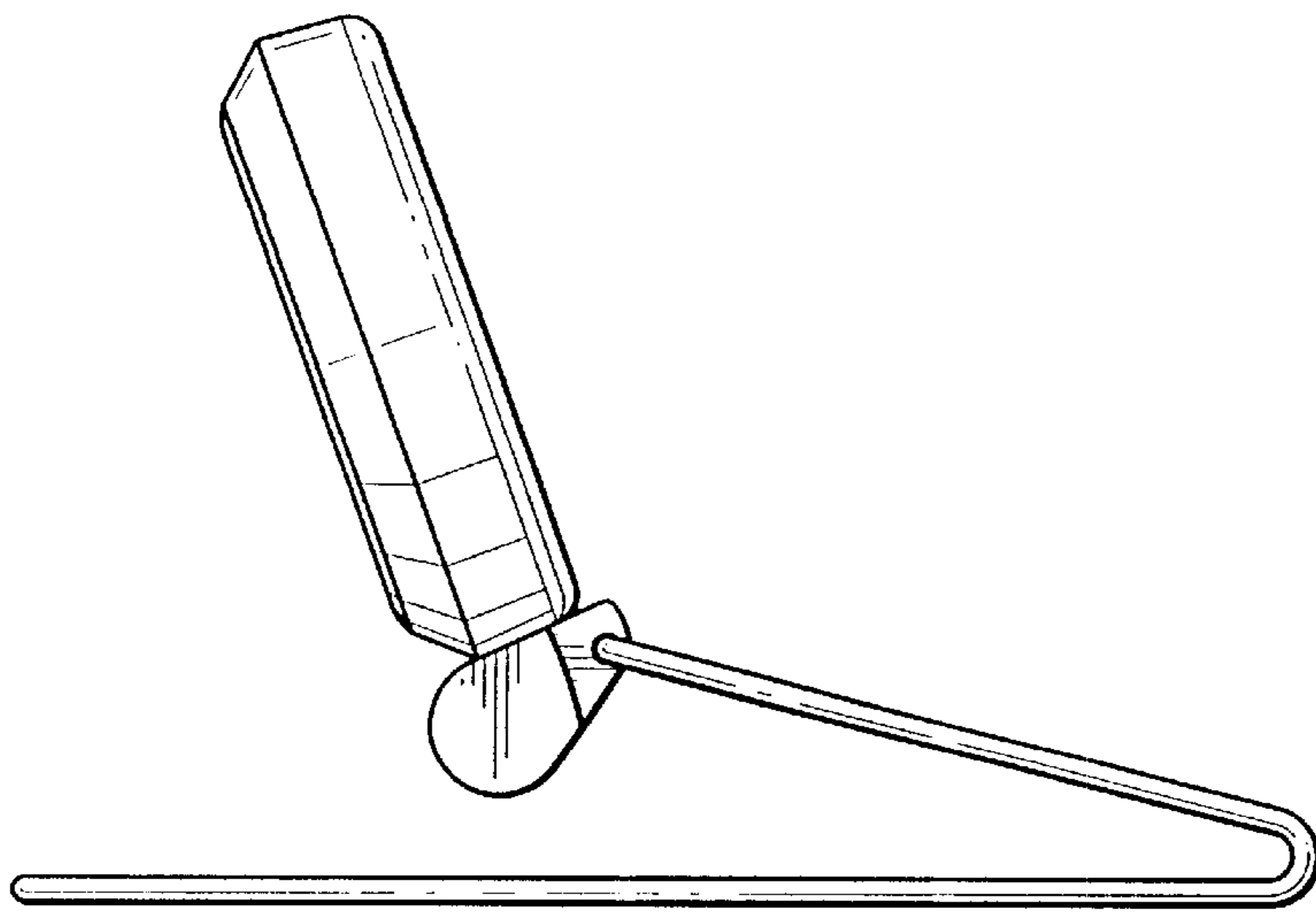


FIG. 6

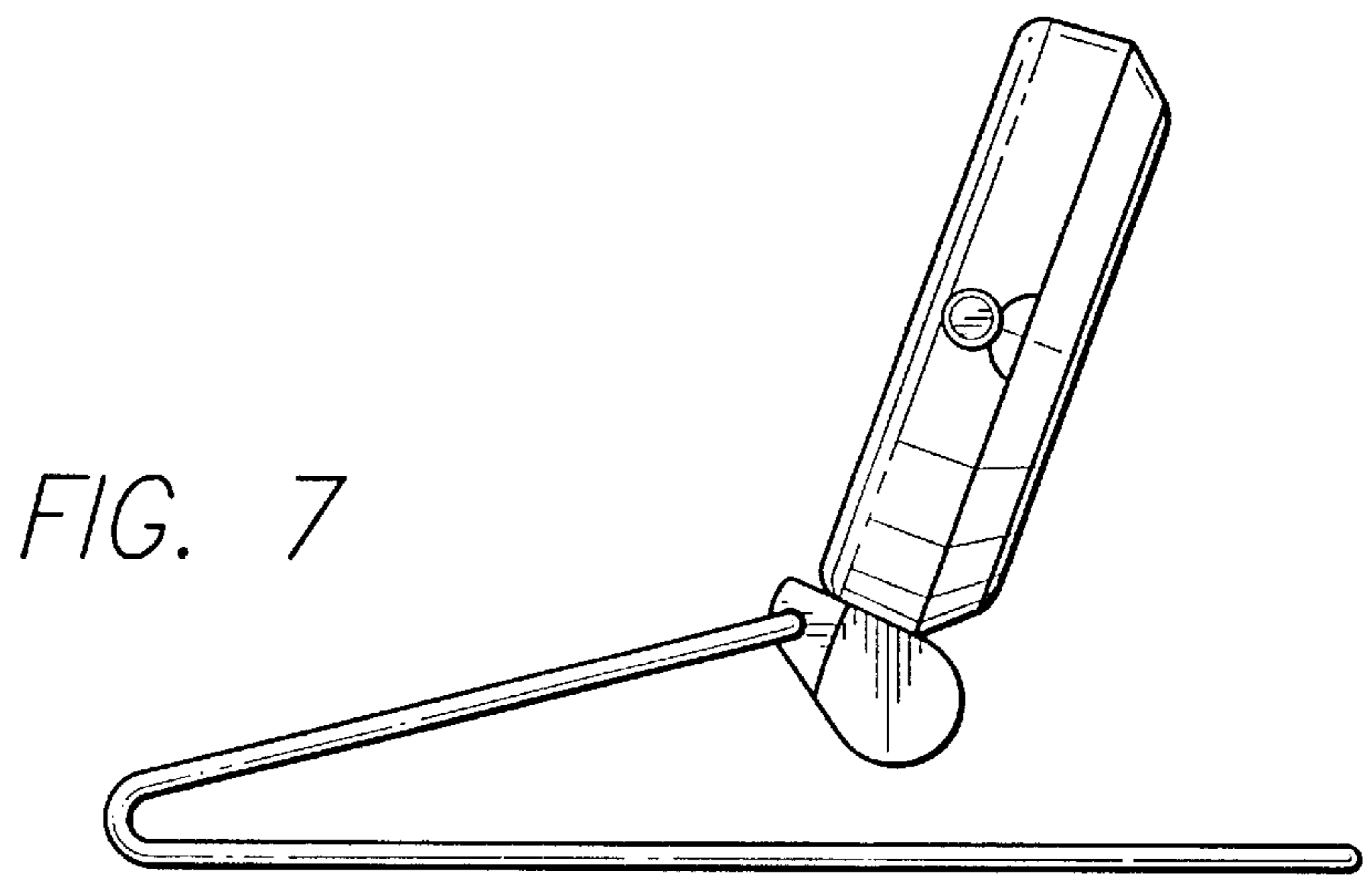


FIG. 7

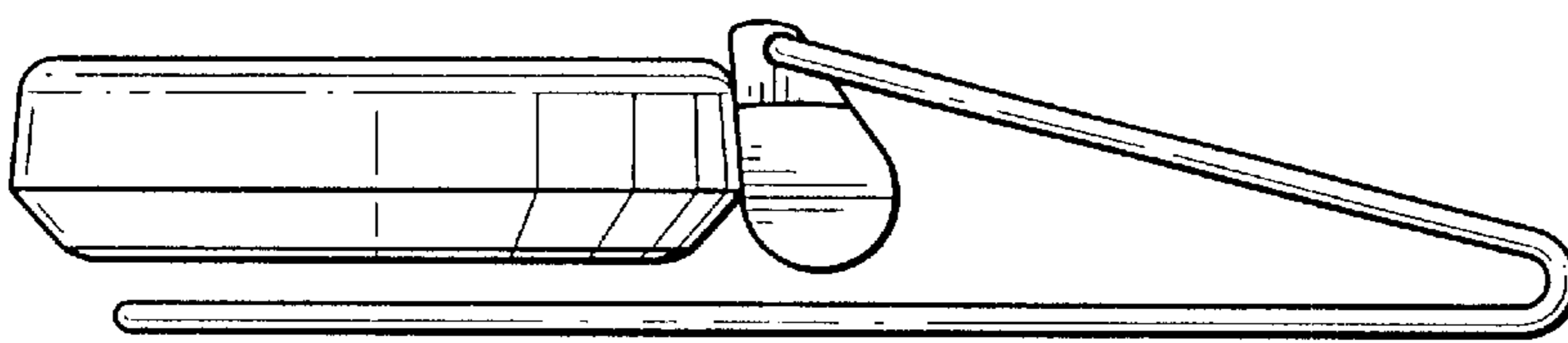


FIG. 8

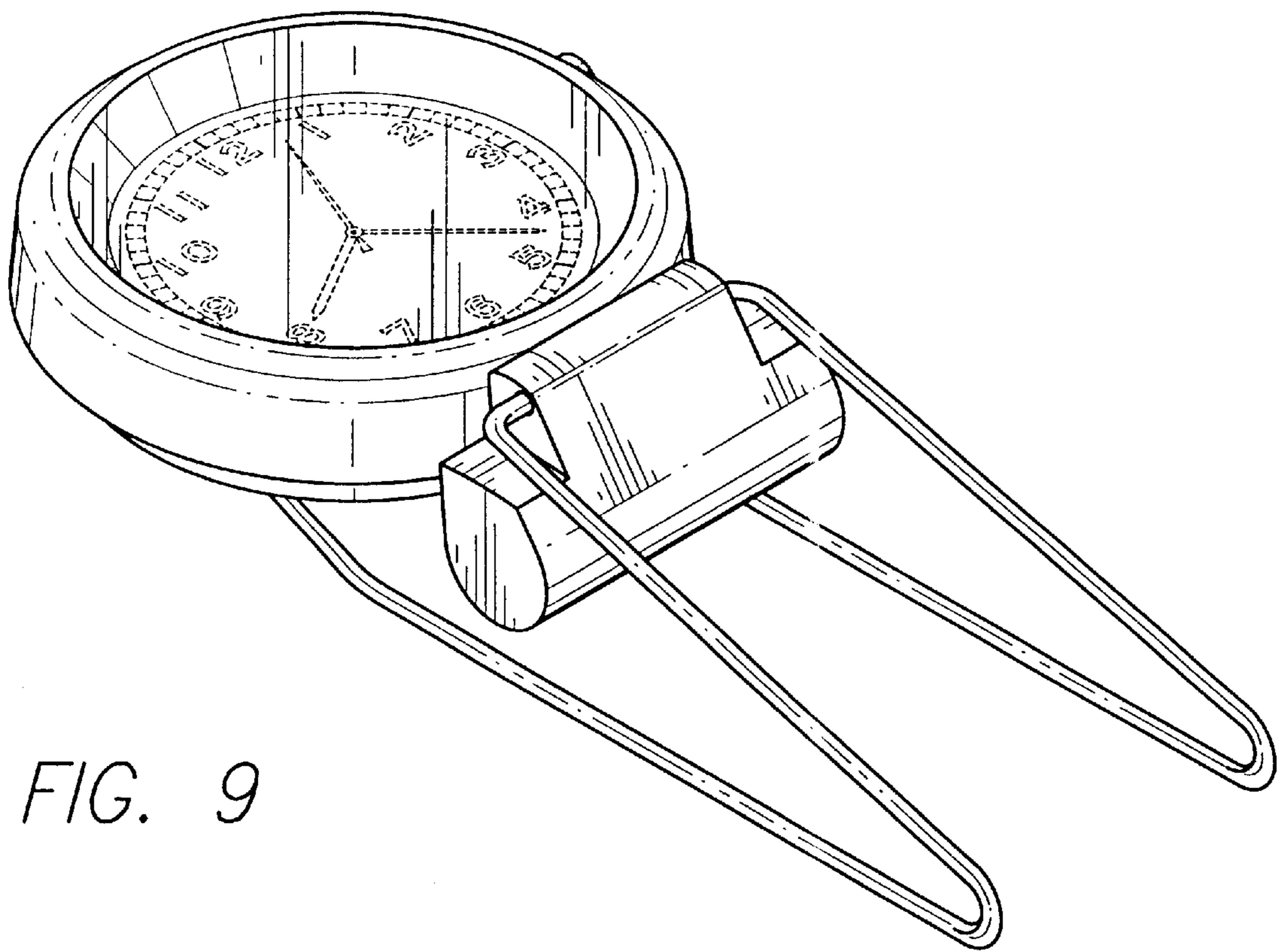


FIG. 9