



US00D466019S

(12) **United States Design Patent**  
**Thierjung et al.**

(10) **Patent No.:** **US D466,019 S**

(45) **Date of Patent:** **\*\* Nov. 26, 2002**

(54) **CONTAINER**

(75) Inventors: **George Thierjung**, Appleton, WI (US);  
**Darin K. Stubbs**, Neenah, WI (US);  
**Neil Topham**, Menasha, WI (US)

(73) Assignee: **Pechiney Emballage Flexible Europe**  
(FR)

(\*\*) Term: **14 Years**

(21) Appl. No.: **29/144,408**

(22) Filed: **Jun. 29, 2001**

(51) **LOC (7) Cl.** ..... **09-01**

(52) **U.S. Cl.** ..... **D9/502; D9/538**

(58) **Field of Search** ..... D9/307, 434, 500,  
D9/502, 503, 506, 520, 529-530, 537-543,  
549, 551-552, 557-558, 565, 570, 574-575;  
215/6, 10, 381-385, 396, 398, 375; 220/662,  
669, 675

(56) **References Cited**

**U.S. PATENT DOCUMENTS**

D112,219 S	*	11/1938	Samuelson	.....	D9/502
D243,928 S	*	4/1977	Frahm et al.	.....	D9/502
D262,267 S	*	12/1981	Cox	.....	D9/543
D320,154 S	*	9/1991	Alberghini et al.	.....	D9/520
5,092,475 A	*	3/1992	Krishnakumar et al.	....	215/381
D380,685 S	*	7/1997	Steih	.....	D9/549
5,704,504 A	*	1/1998	Bueno	.....	215/381
D435,455 S	*	12/2000	Gans	.....	D9/541
D445,339 S	*	7/2001	Bazlur	.....	D9/538
D445,693 S	*	7/2001	Rashid	.....	D9/538
D445,694 S	*	7/2001	Gans	.....	D9/538

D446,458 S	*	8/2001	Gans	.....	D9/538
6,299,007 B1	*	10/2001	Takeuchi	.....	215/373
D451,401 S	*	12/2001	Silvers et al.	.....	D9/538
D452,445 S	*	12/2001	Silvers et al.	.....	D9/538

\* cited by examiner

*Primary Examiner*—Ted Shooman

*Assistant Examiner*—Carol Rademaker

(74) *Attorney, Agent, or Firm*—McDermott, Will & Emery

(57) **CLAIM**

The ornamental design for a container, as shown and described.

**DESCRIPTION**

FIG. 1 is a perspective view of the design of the present invention;

FIG. 2 is a front elevational view of the design depicted in FIG. 1, shown at a reduced scale, the rear elevational view being identical;

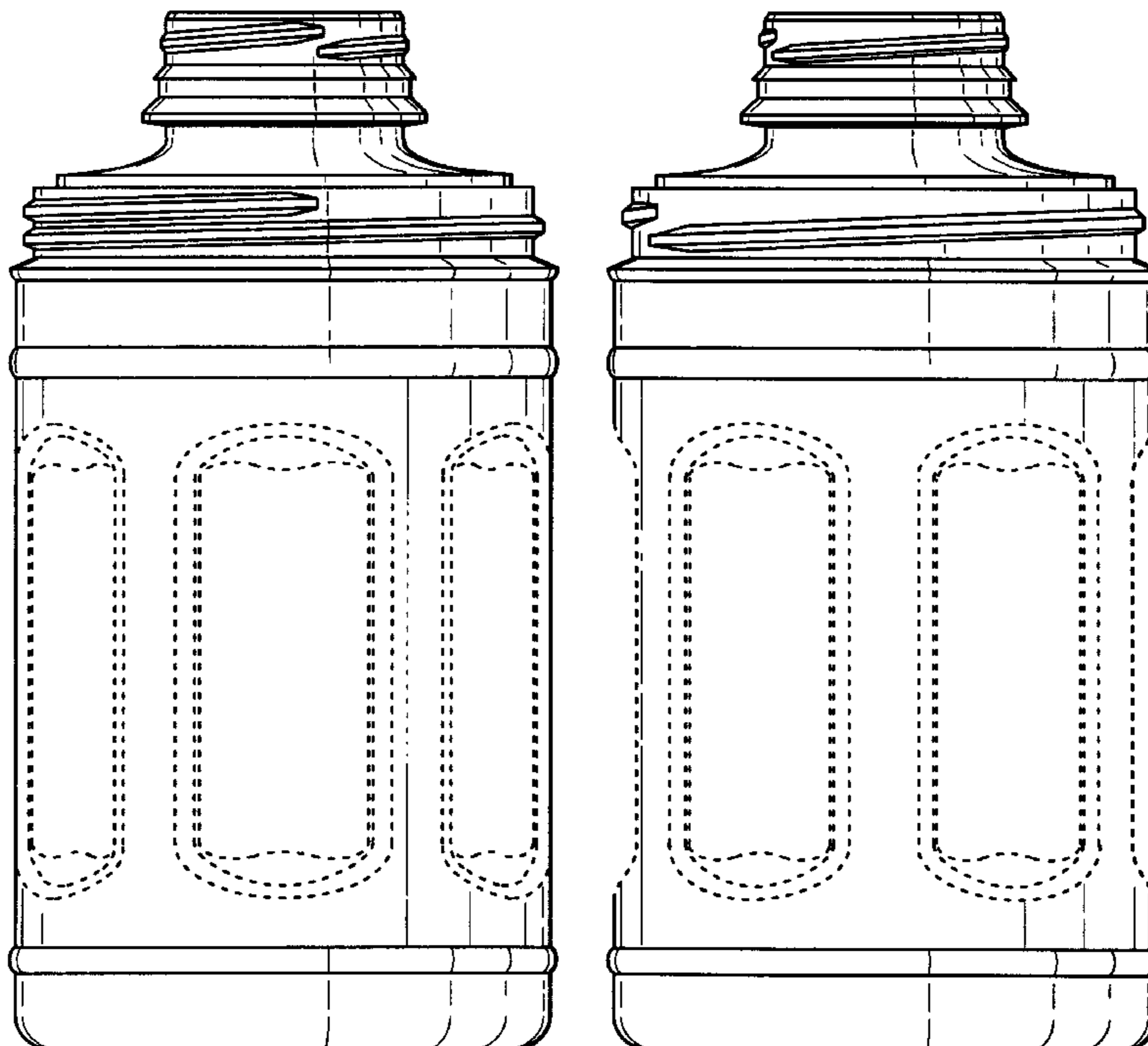
FIG. 3 is a right-side elevational view of the design depicted in FIG. 1, shown at a reduced scale, the left-side elevational view being identical.

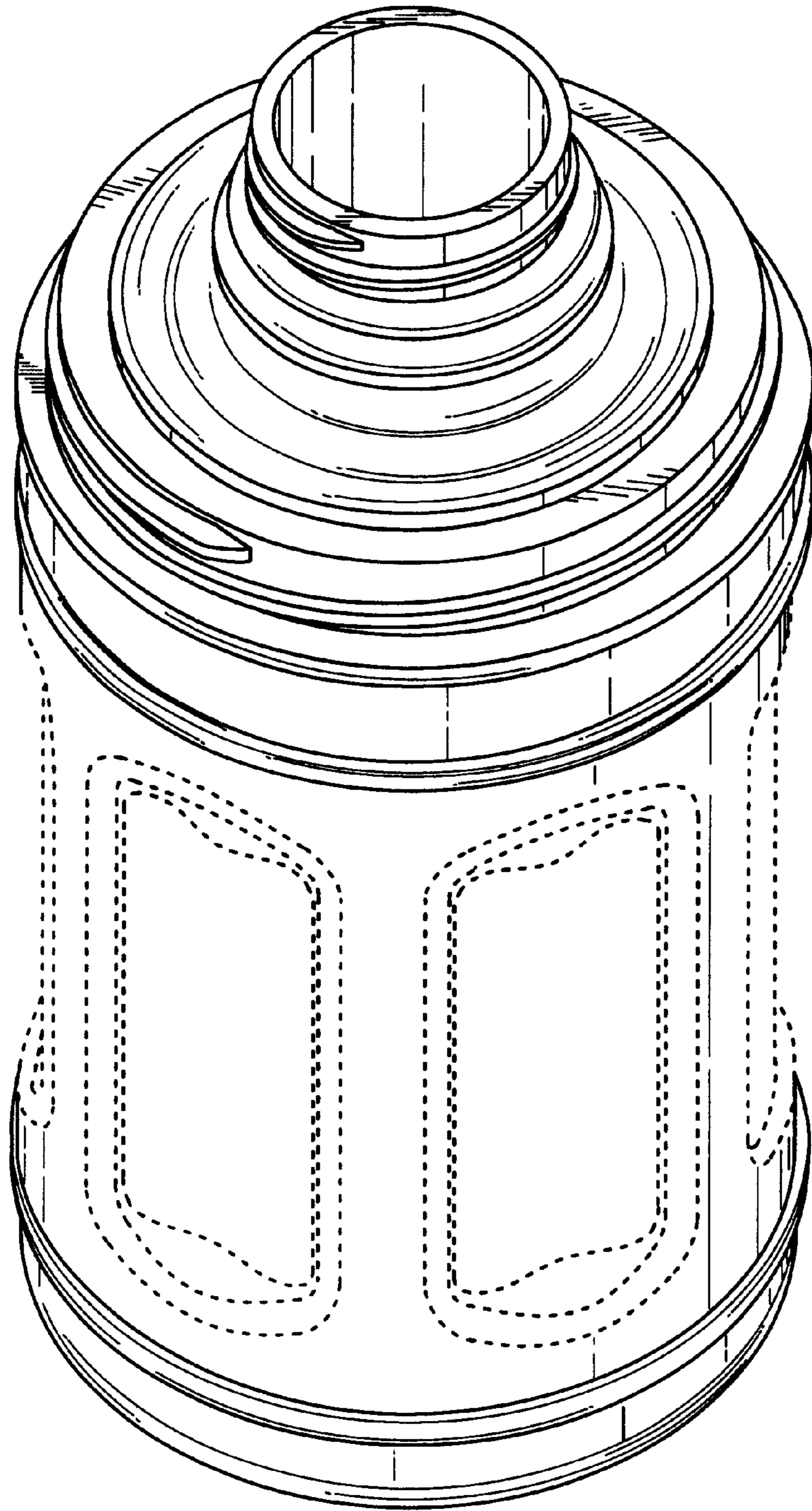
FIG. 4 is a top plan view of the design depicted in FIG. 1, shown at a reduced scale; and,

FIG. 5 is a bottom plan view of the design depicted in FIG. 1, shown at a reduced scale.

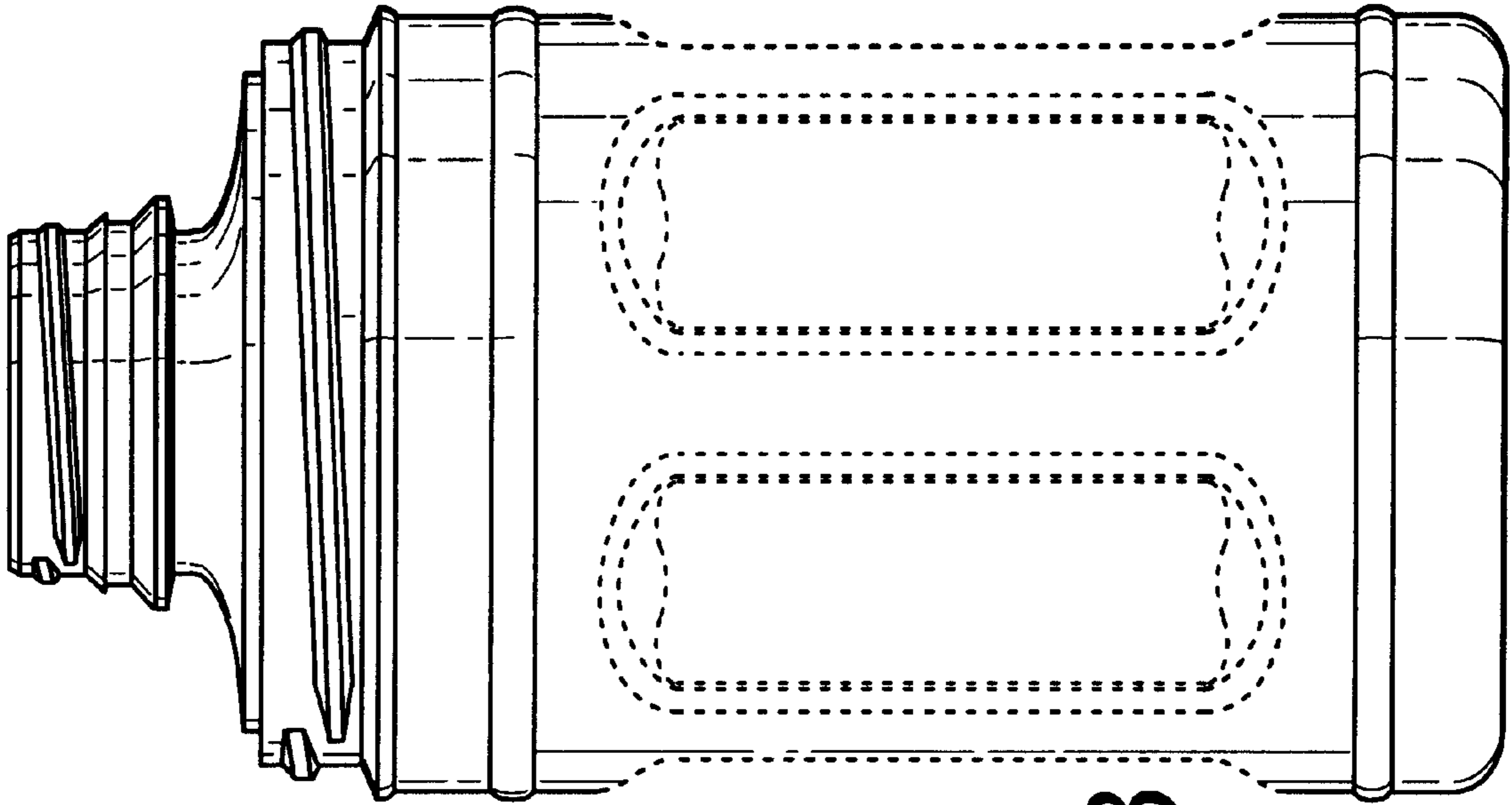
Those portions of the present invention which are presented in phantom illustrate the environment of the design only and form no part of the claimed design. Moreover, the shading presented in the accompanying drawings is provided merely to highlight the contour of the invention and is not intended to be illustrative of texture or gloss.

**1 Claim, 3 Drawing Sheets**

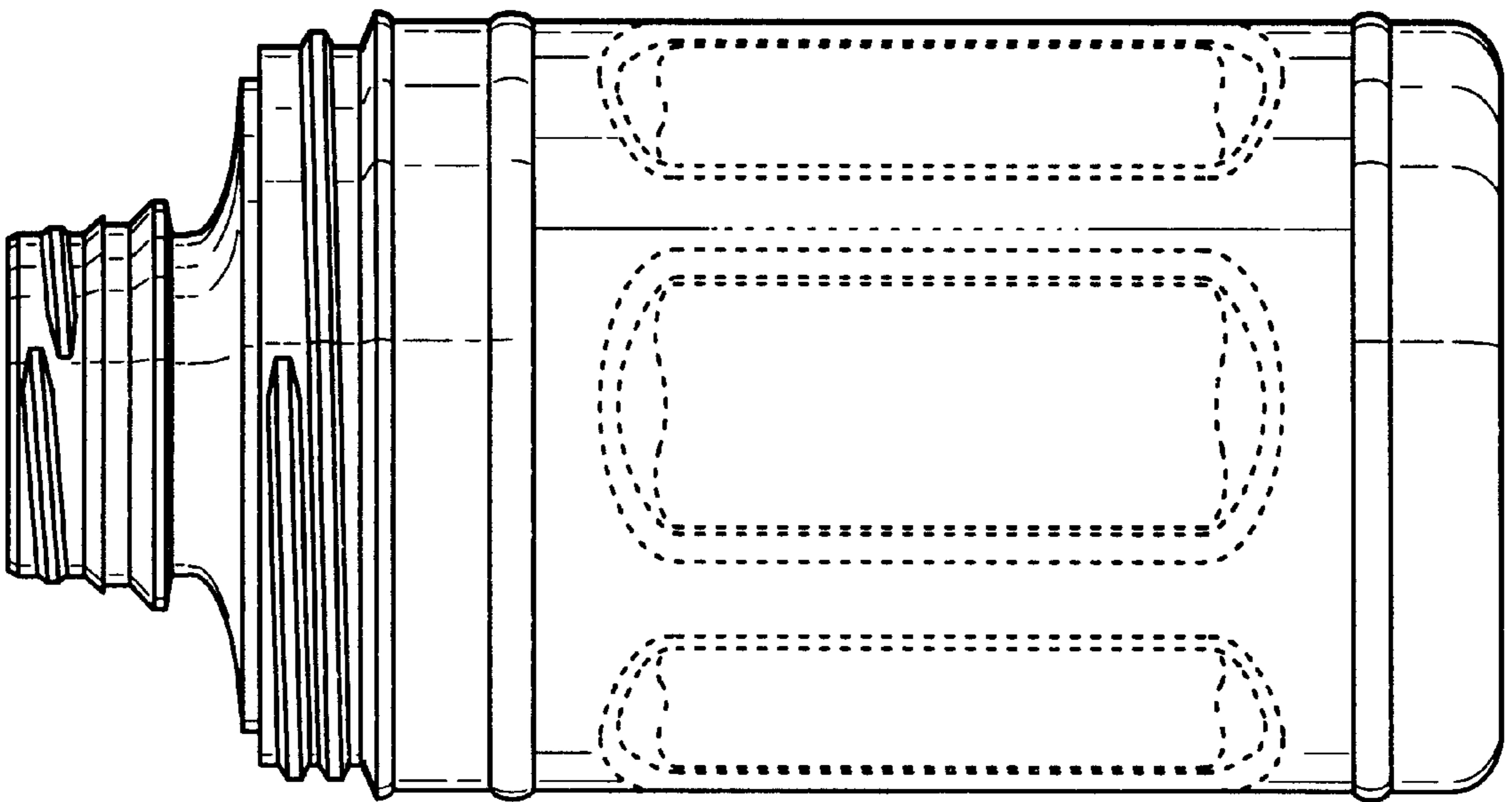




*Fig. 1*

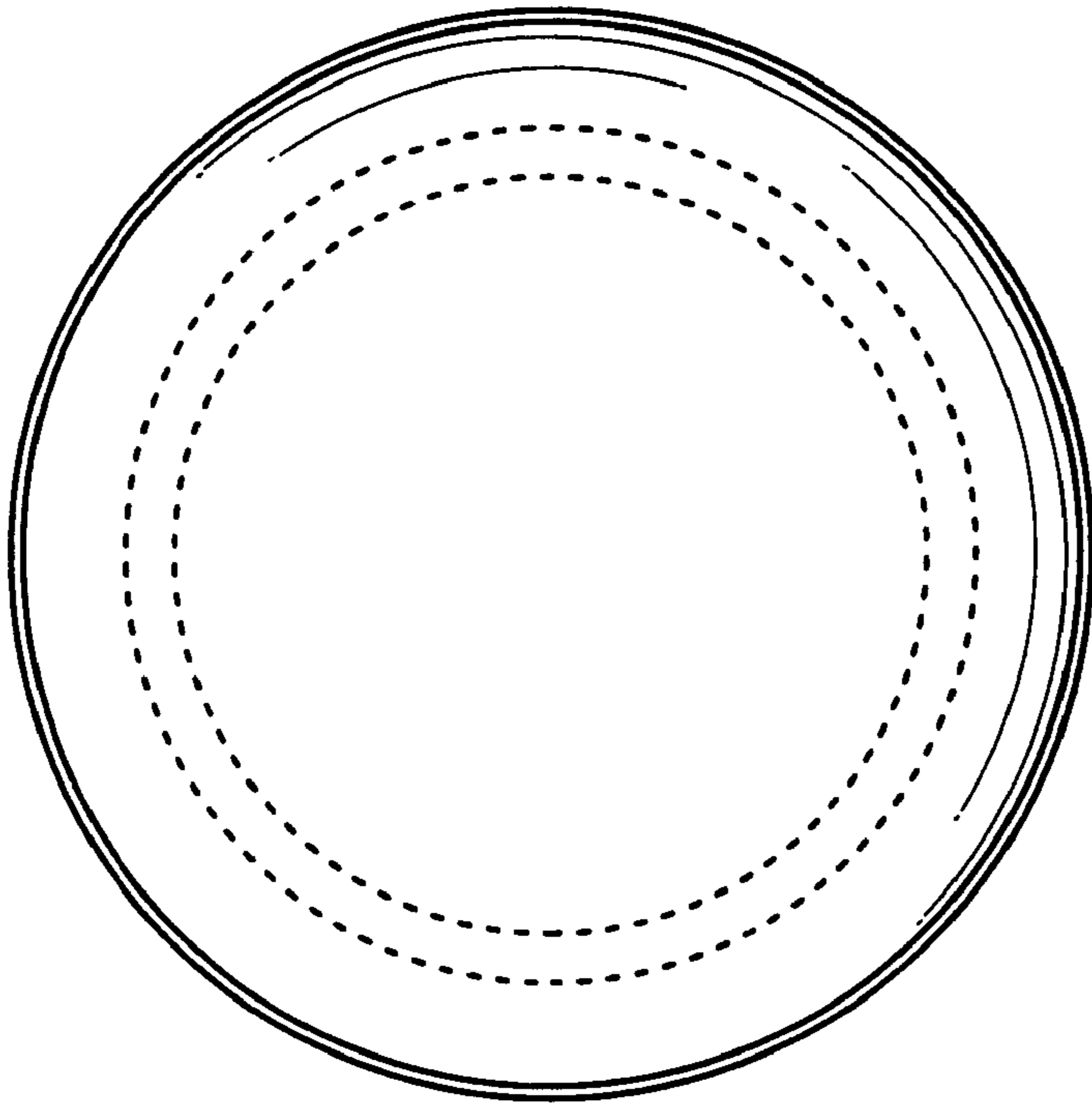


*Fig. 2*

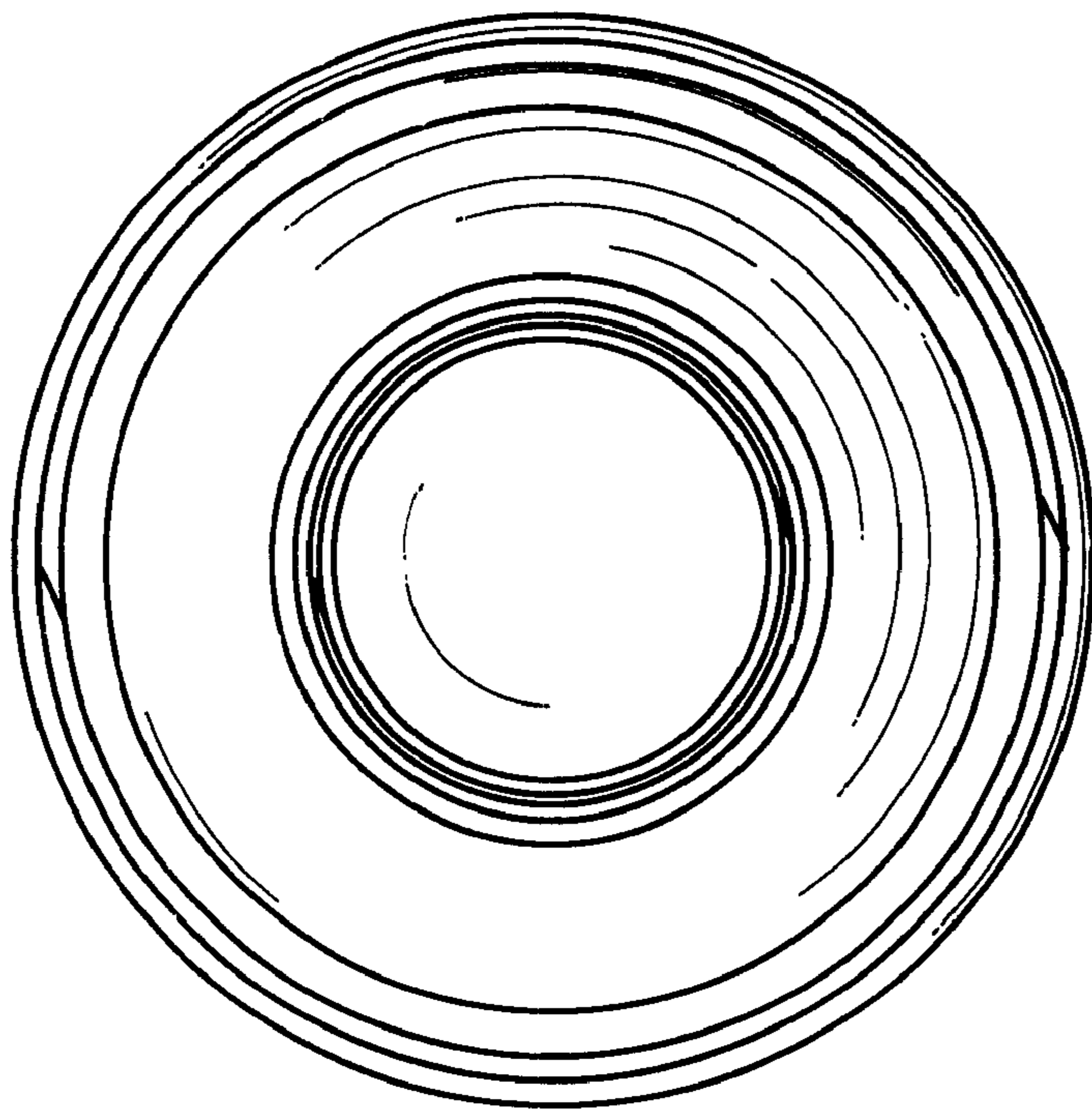


*Fig. 3*





*Fig. 5*



*Fig. 4*