



US00D466017S

(12) **United States Design Patent**  
**Kuo**

(10) **Patent No.:** **US D466,017 S**

(45) **Date of Patent:** **\*\* Nov. 26, 2002**

(54) **DISPENSER HEAD**

D452,822 S \* 1/2002 Boshuizen et al. .... D9/448

(76) Inventor: **Roy Kuo**, 3F No.288 Chin Chow St.,  
Taipei (TW)

\* cited by examiner

*Primary Examiner*—Dominic Simone

(\*\*) Term: **14 Years**

(57) **CLAIM**

(21) Appl. No.: **29/147,569**

The ornamental design for the dispenser head, as shown and described.

(22) Filed: **Sep. 1, 2001**

**DESCRIPTION**

(51) **LOC (7) Cl.** ..... **09-07**

(52) **U.S. Cl.** ..... **D9/448**

(58) **Field of Search** ..... D9/300, 447, 448;  
222/372, 383.1, 383.2

FIG. 1 is a perspective view of the appearance of my new design;

FIG. 2 is a front view thereof;

FIG. 3 is a rear view thereof;

FIG. 4 is a left side view thereof;

FIG. 5 is a right side view thereof;

FIG. 6 is a top view thereof;

FIG. 7 is a bottom view thereof; and,

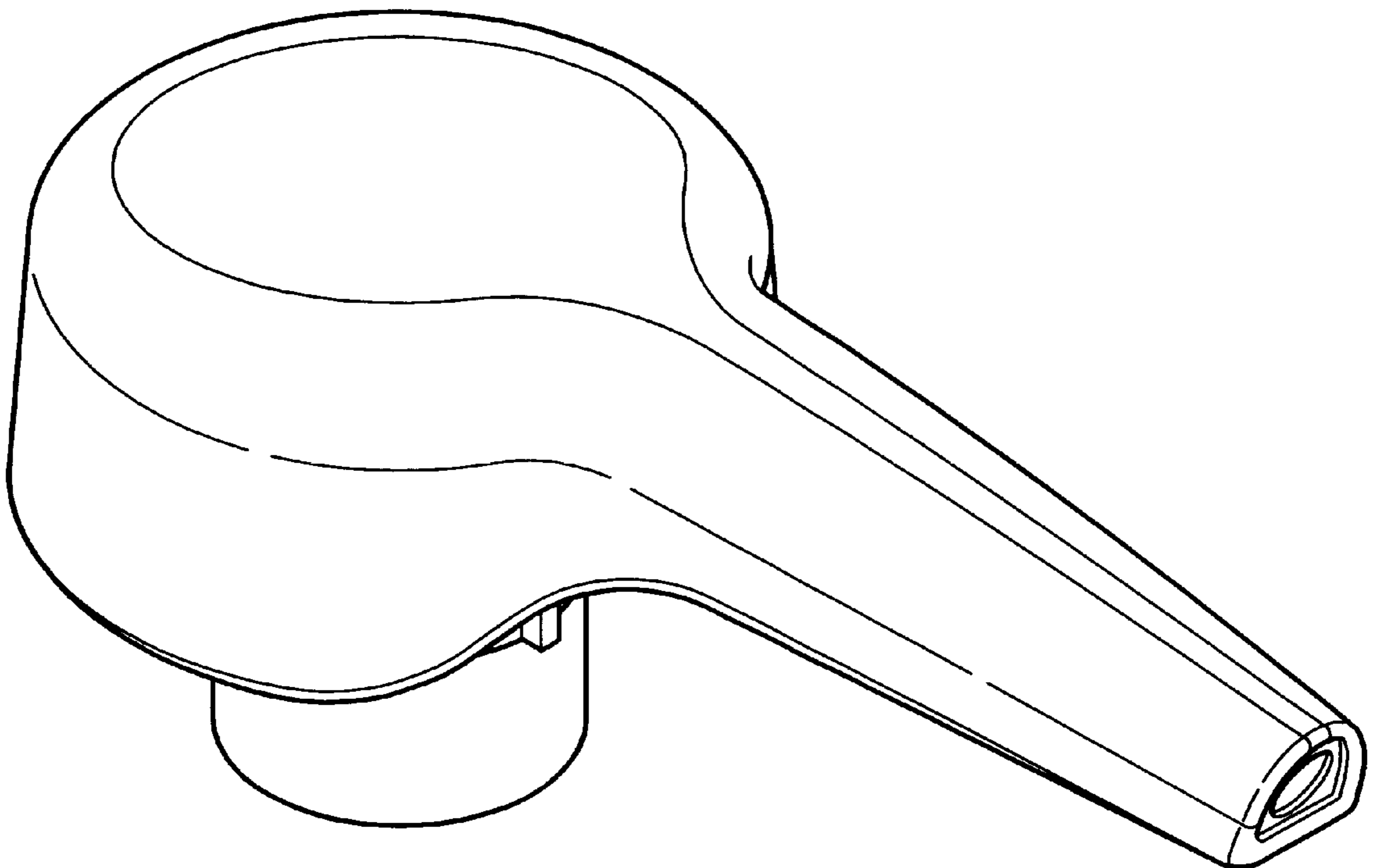
FIG. 8 is a perspective view on a reduced scale, the container shown in broken lines for illustrative purposes only and forms no part of the claimed design.

(56) **References Cited**

**U.S. PATENT DOCUMENTS**

D217,718 S	*	6/1970	Magers	.....	D9/448
D351,794 S	*	10/1994	Foster	.....	D9/448
D381,580 S	*	7/1997	Kokenge et al.	.....	D9/447
D418,418 S	*	1/2000	Wadsworth	.....	D9/448
D419,446 S	*	6/2000	Durliat	.....	D9/448

**1 Claim, 7 Drawing Sheets**



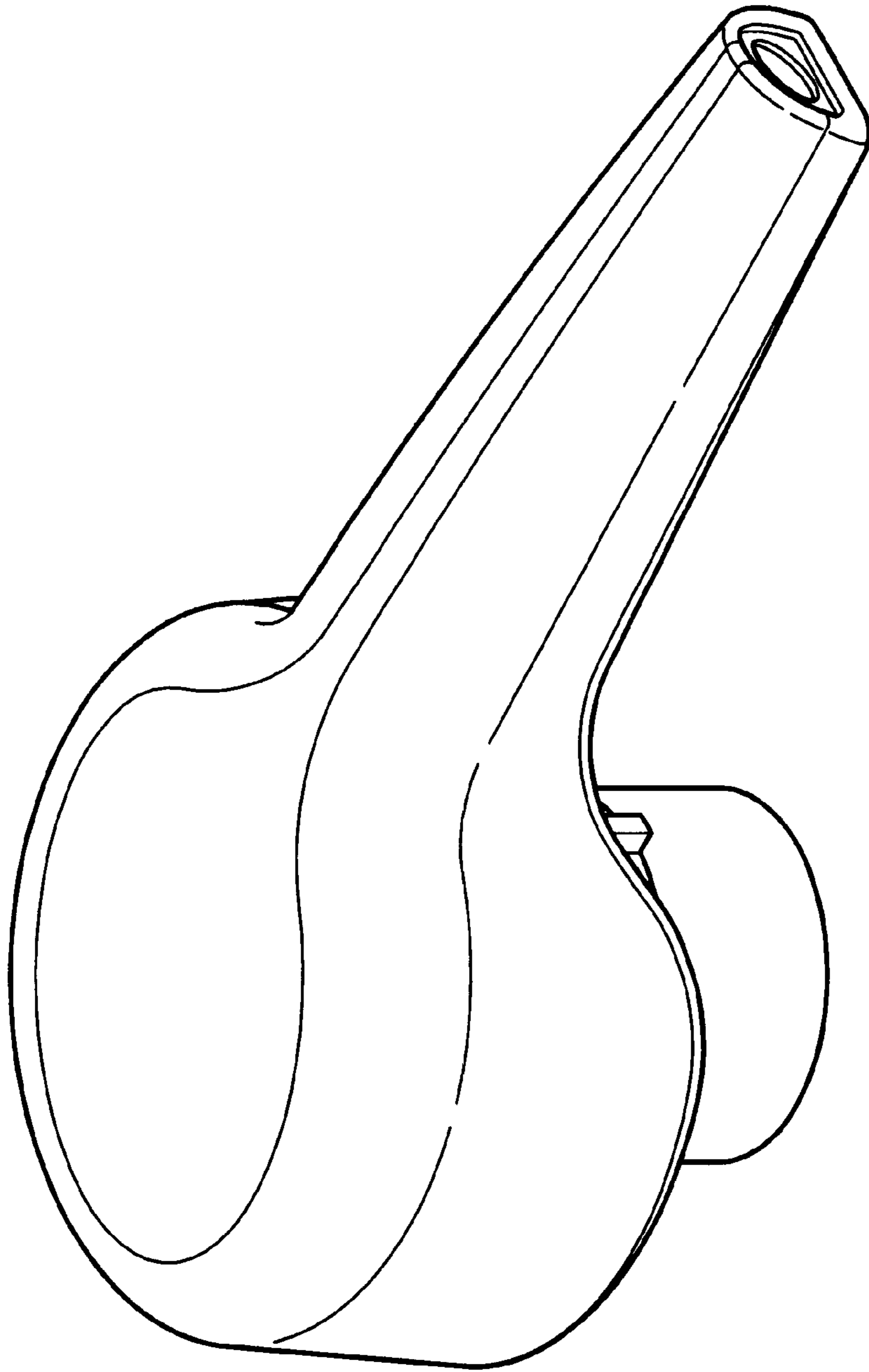


FIG. 1

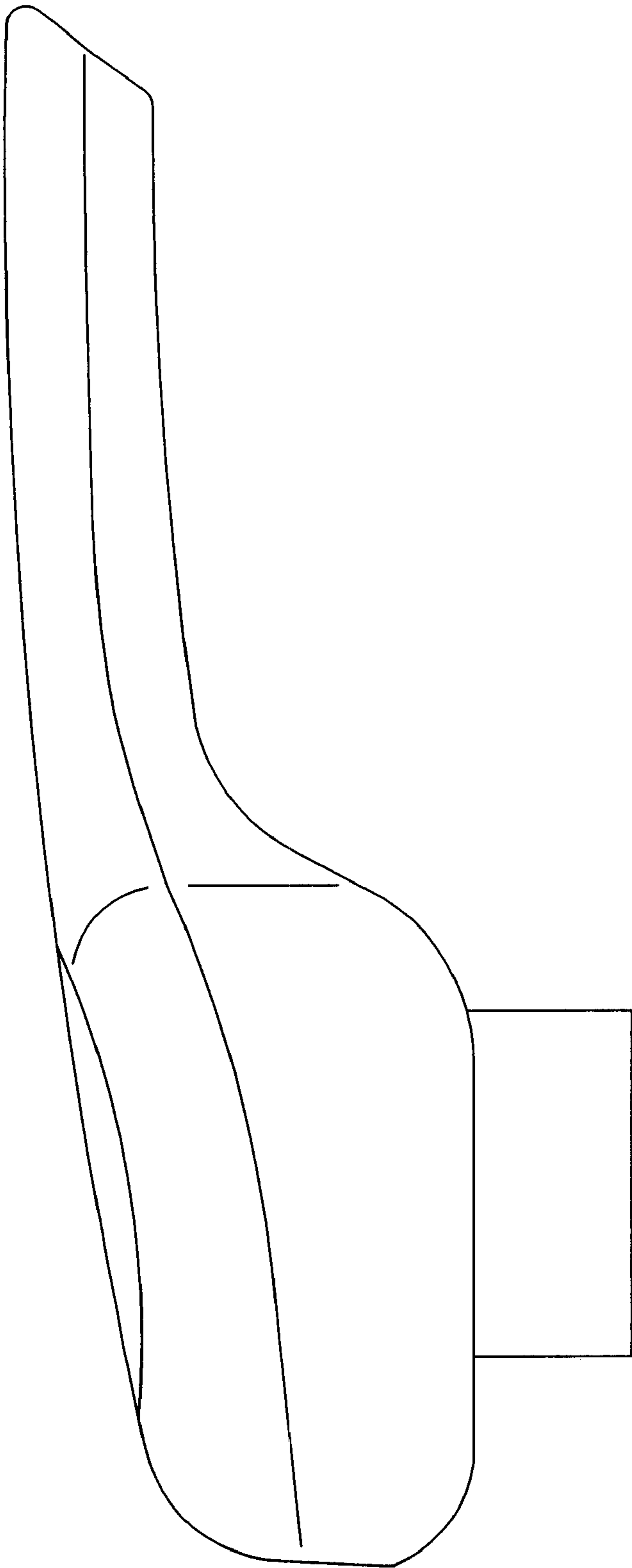


FIG. 2

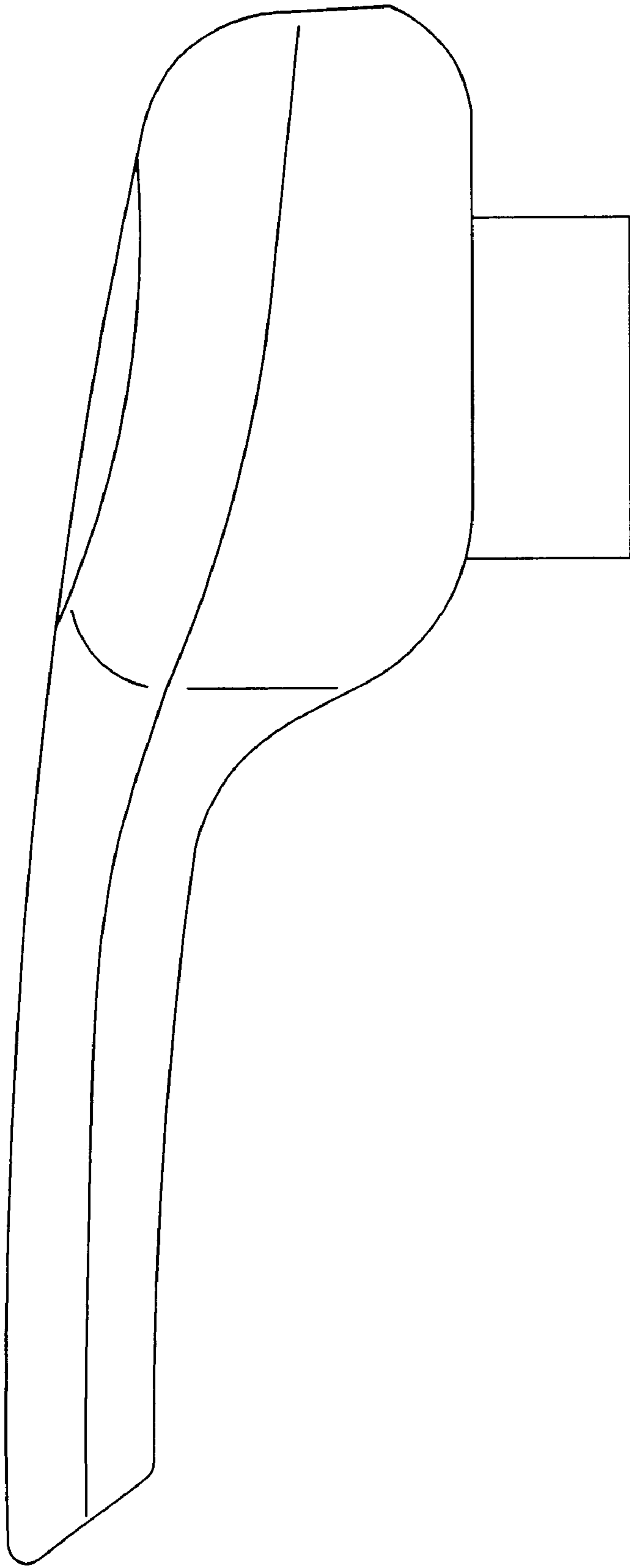


FIG. 3

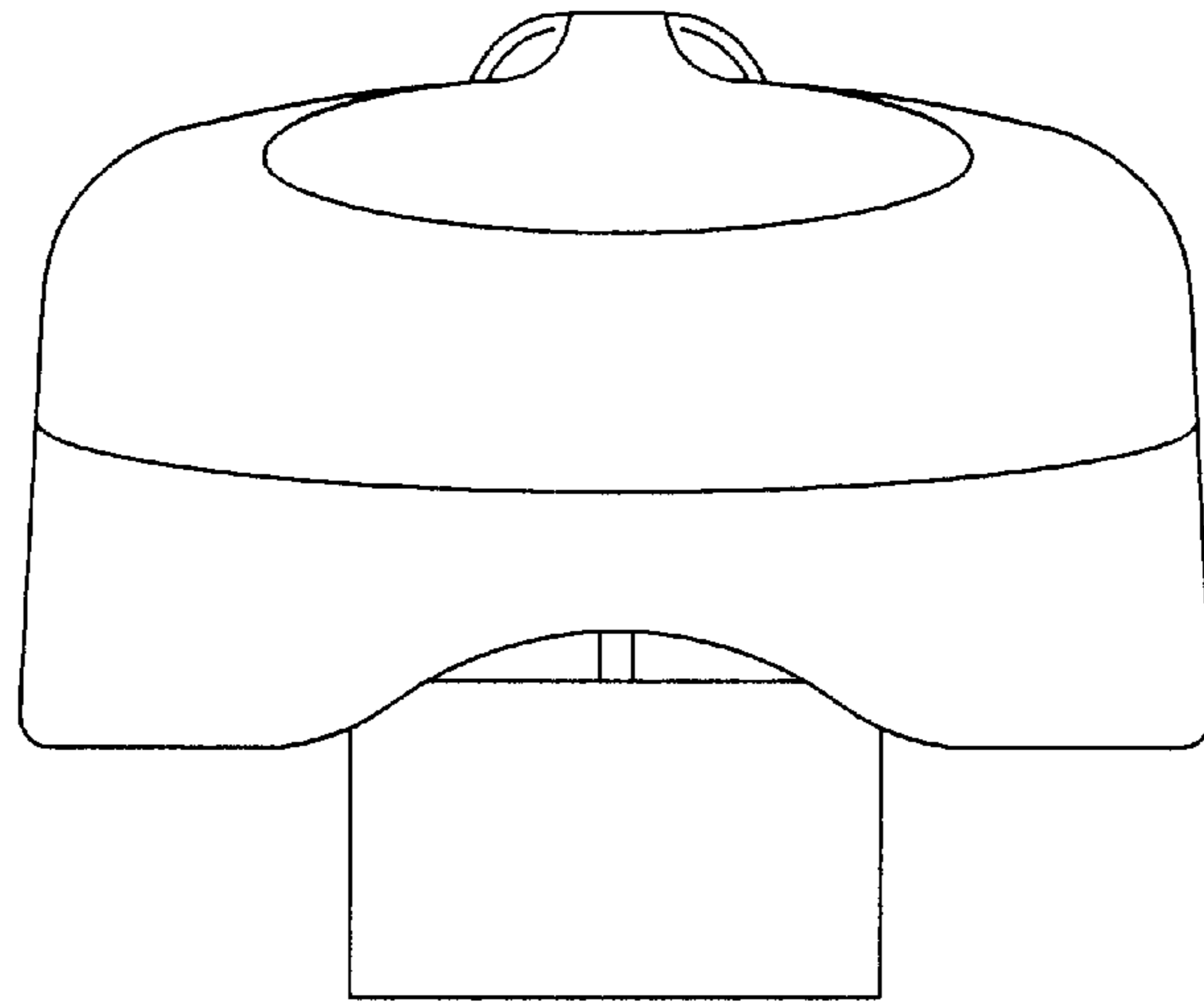


FIG. 4

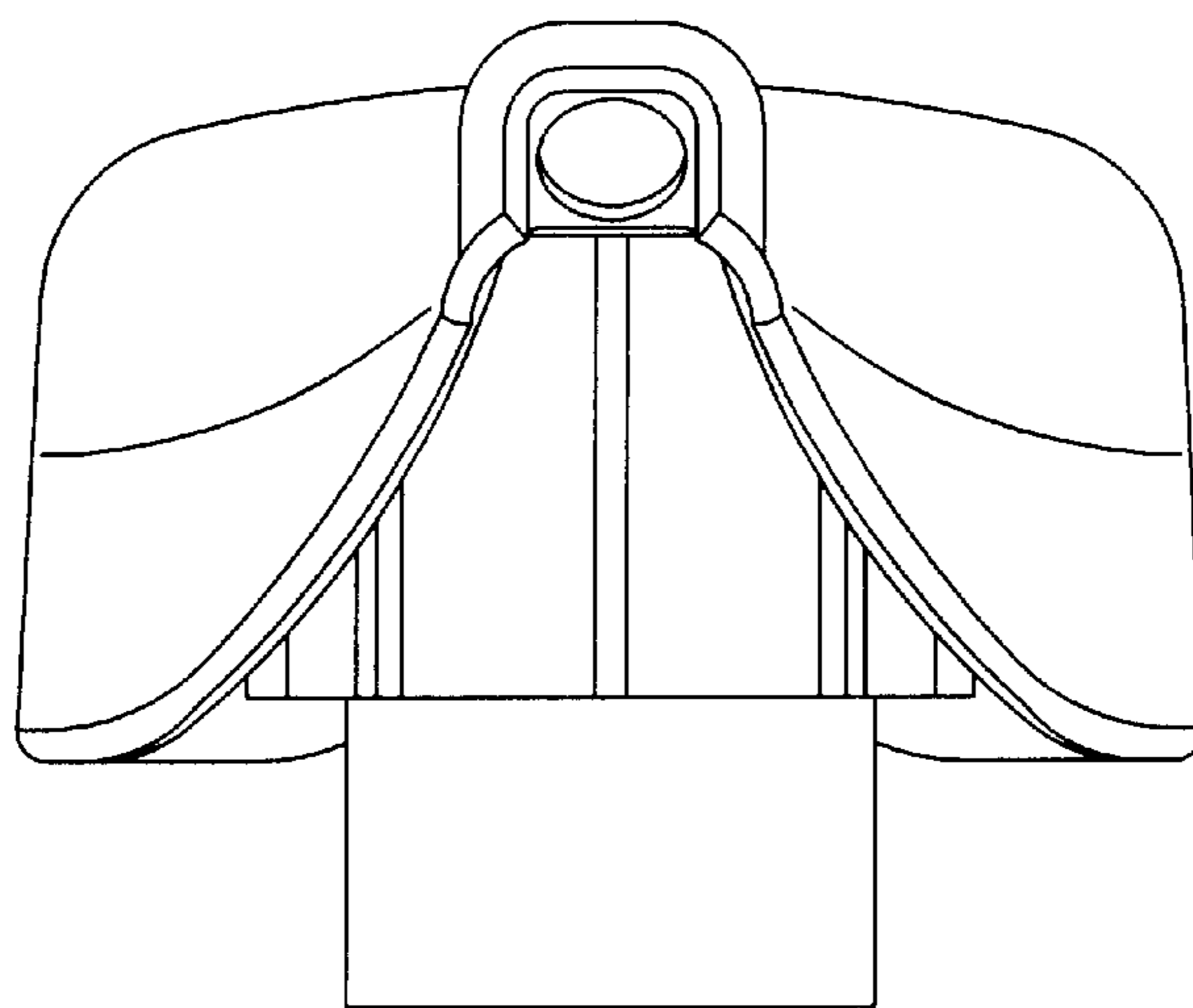


FIG. 5

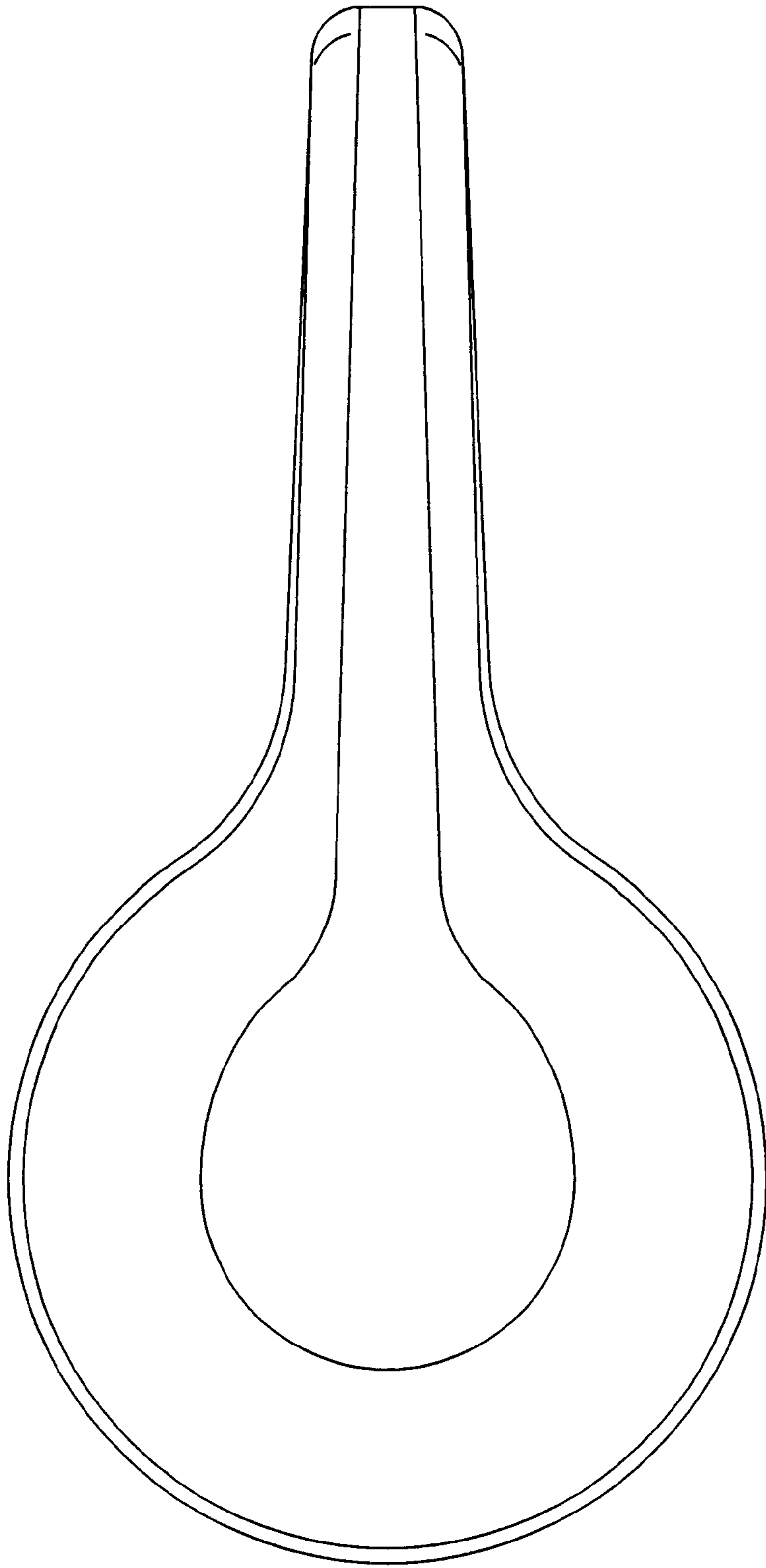


FIG. 6

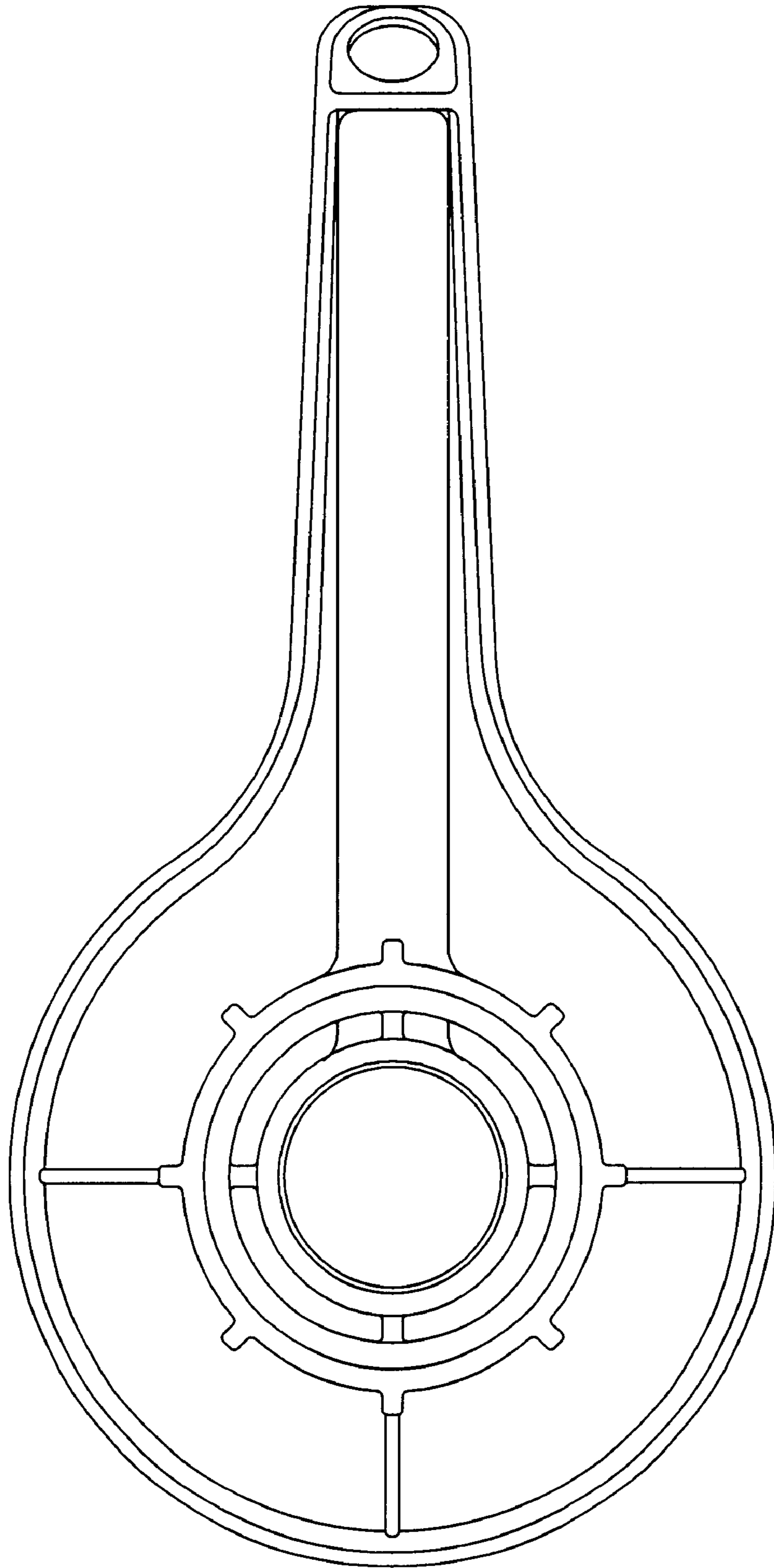


FIG. 7

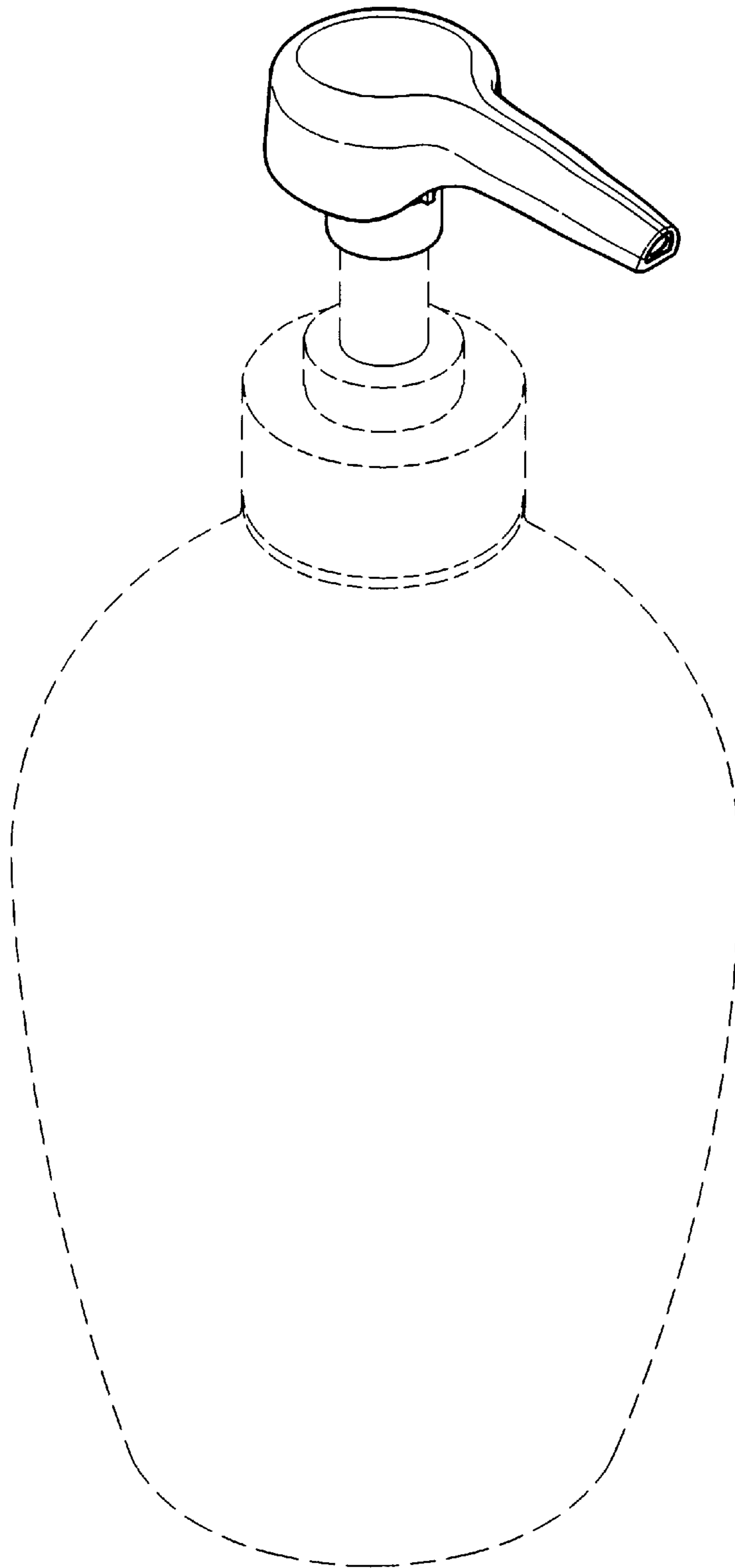


FIG. 8