



US00D466015S

(12) **United States Design Patent**
Faucon

(10) **Patent No.:** **US D466,015 S**

(45) **Date of Patent:** **** Nov. 26, 2002**

(54) **CLOSURE ELEMENT IN PARTICULAR FOR BEAUTY PRODUCTS**

D448,994 S * 10/2001 Siebert et al. D9/435

* cited by examiner

(75) Inventor: **Thierry Faucon**, Paris (FR)

Primary Examiner—Dominic Simone

(73) Assignee: **Lumson S.p.A.**, Capergnanica (IT)

(74) *Attorney, Agent, or Firm*—Steinberg & Raskin, P.C.

(**) Term: **14 Years**

(57) **CLAIM**

(21) Appl. No.: **29/142,110**

The original, ornamental design for a closure element in particular for beauty products, as shown.

(22) Filed: **May 18, 2001**

DESCRIPTION

(30) **Foreign Application Priority Data**

Dec. 22, 2000 (XH) DM/055 479

FIG. 1 is a perspective view of a closure element in particular for beauty products showing my new design;

(51) **LOC (7) Cl.** **09-07**

FIG. 2 is a front view thereof;

(52) **U.S. Cl.** **D9/435**

FIG. 3 is a rear view thereof;

(58) **Field of Search** D9/434, 435, 447;
D28/76; 220/200; 222/200

FIG. 4 is a top view thereof;

FIG. 5 is a left side view thereof;

FIG. 6 is a right side view thereof; and,

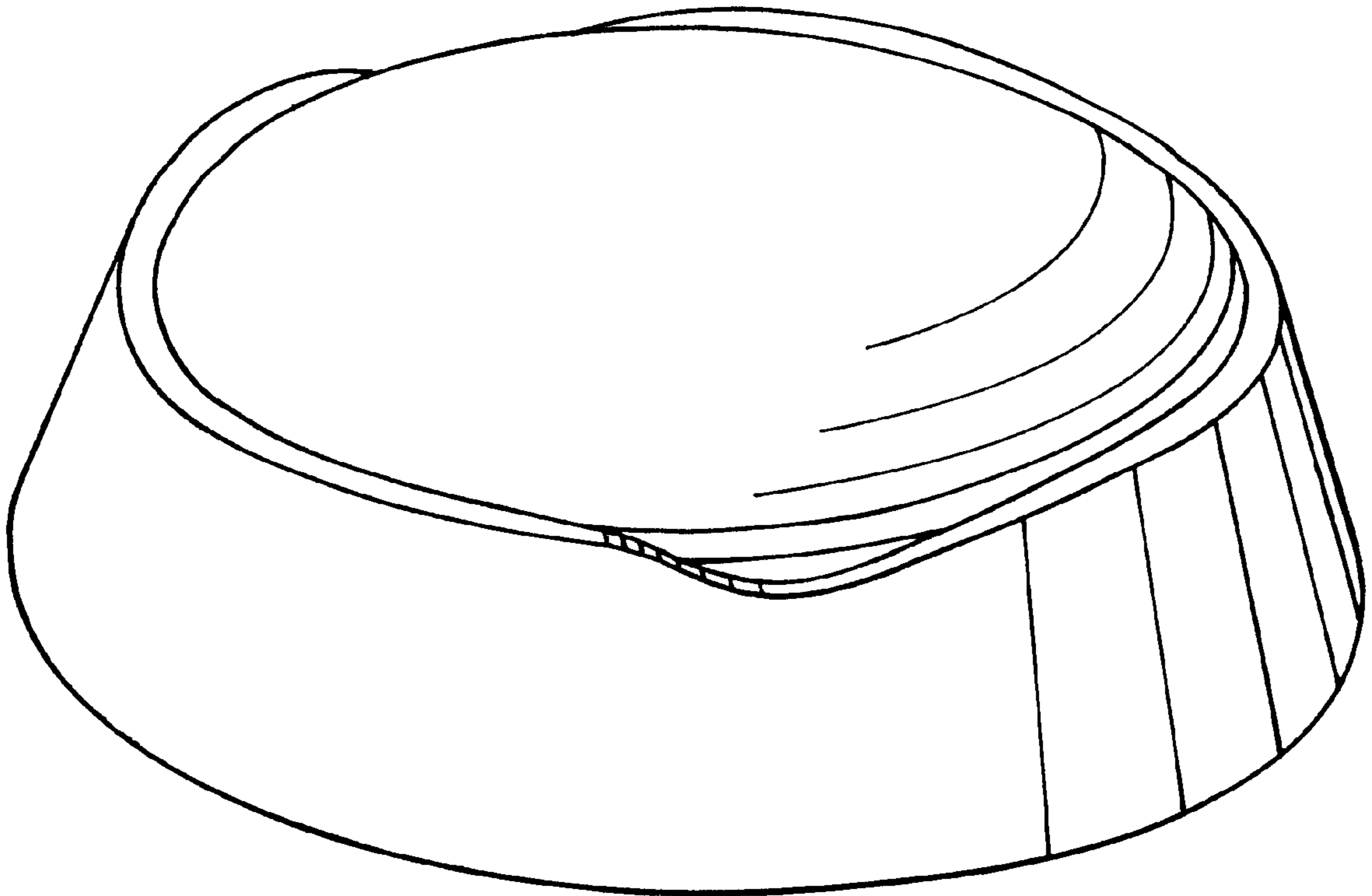
FIG. 7 is a bottom view thereof.

(56) **References Cited**

U.S. PATENT DOCUMENTS

D233,124 S * 10/1974 Hawk D9/447 X

1 Claim, 3 Drawing Sheets



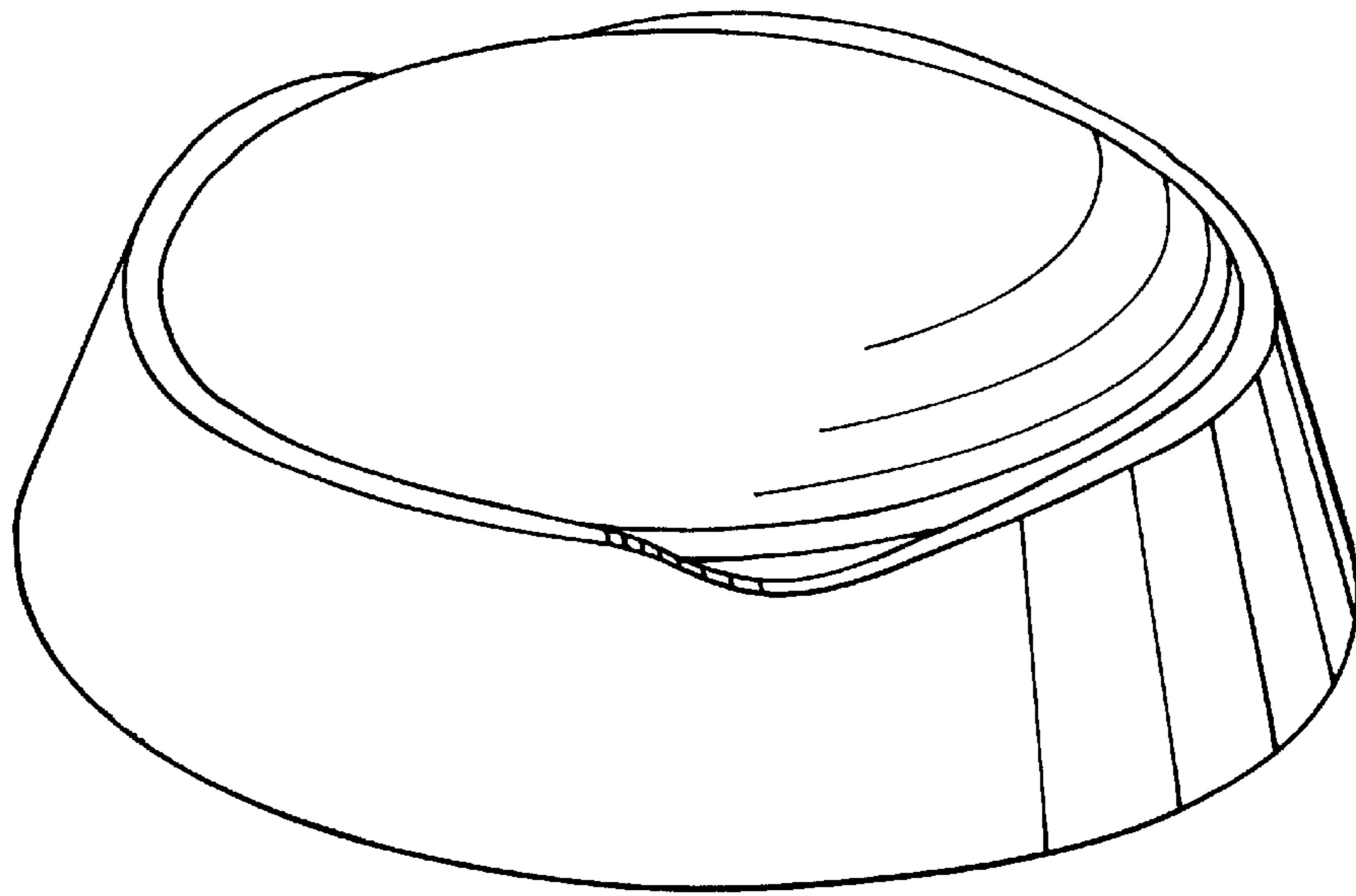


FIG. 1

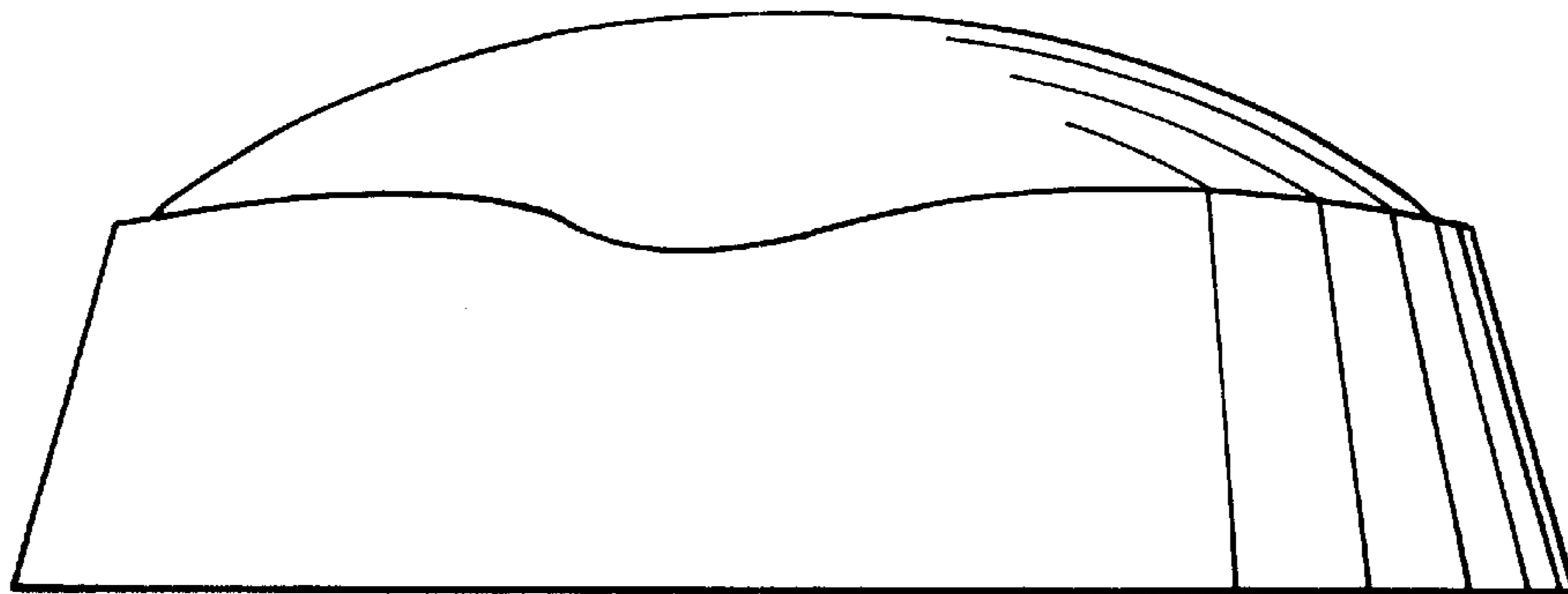


FIG. 2

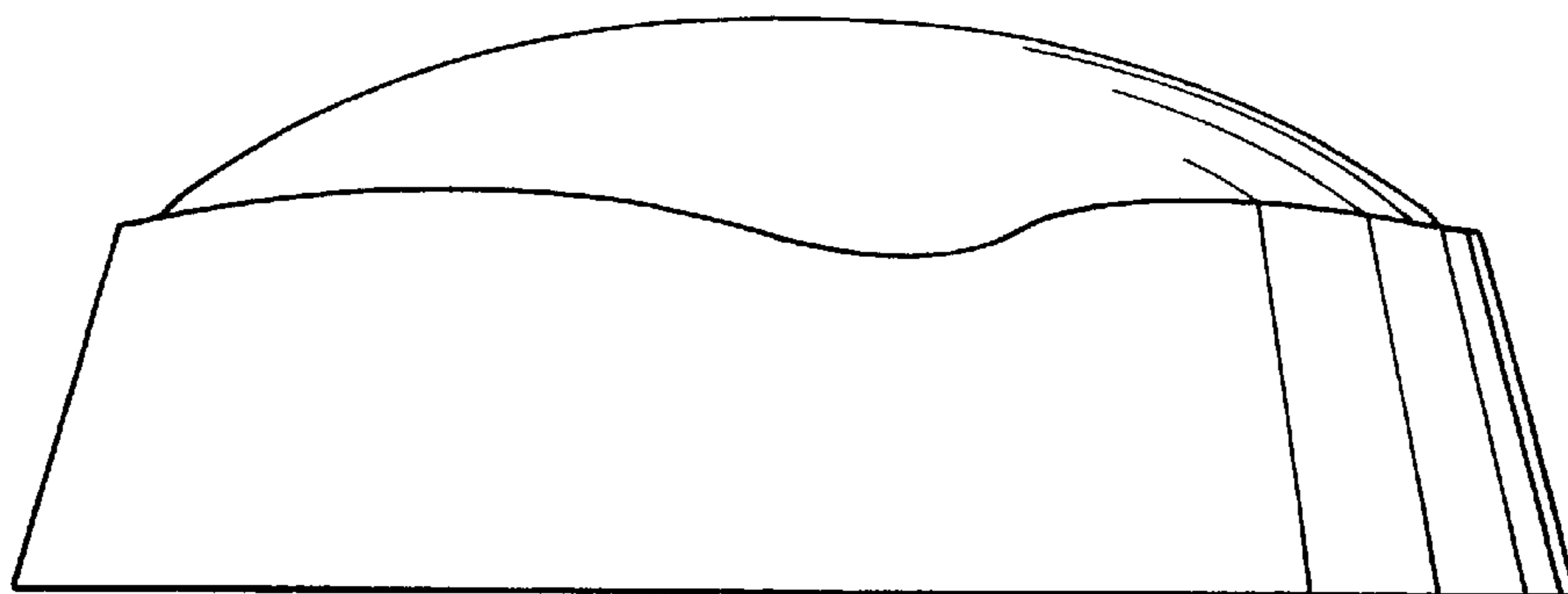


FIG. 3

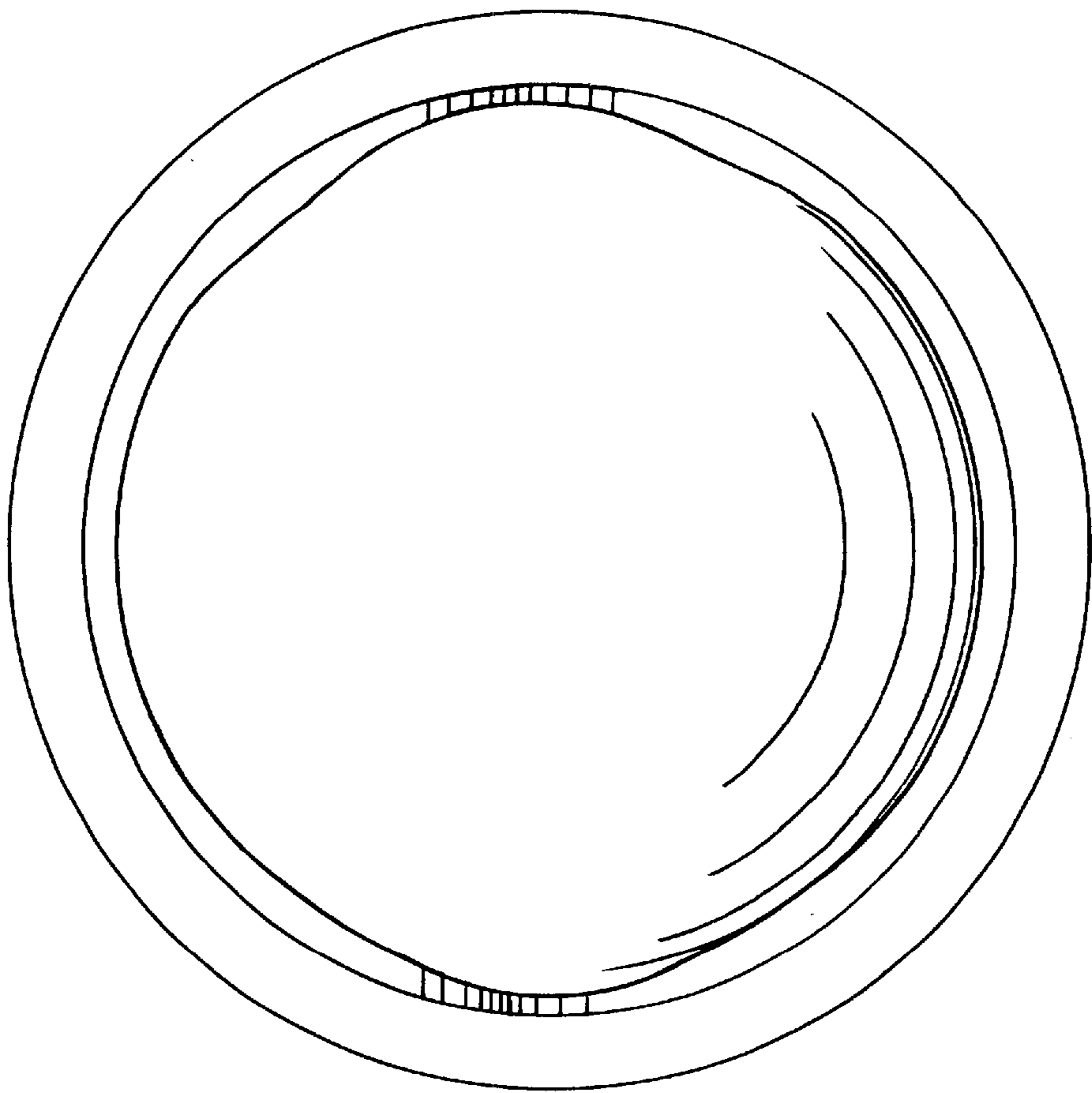


FIG. 4

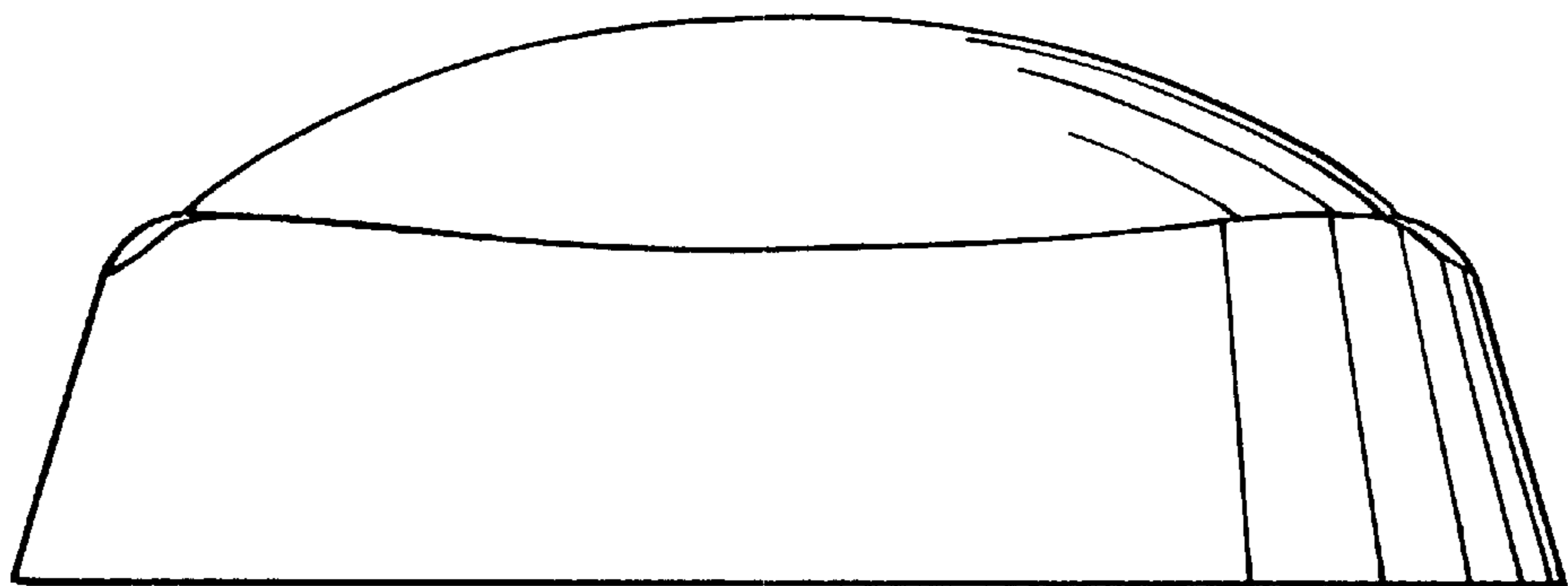


FIG. 5

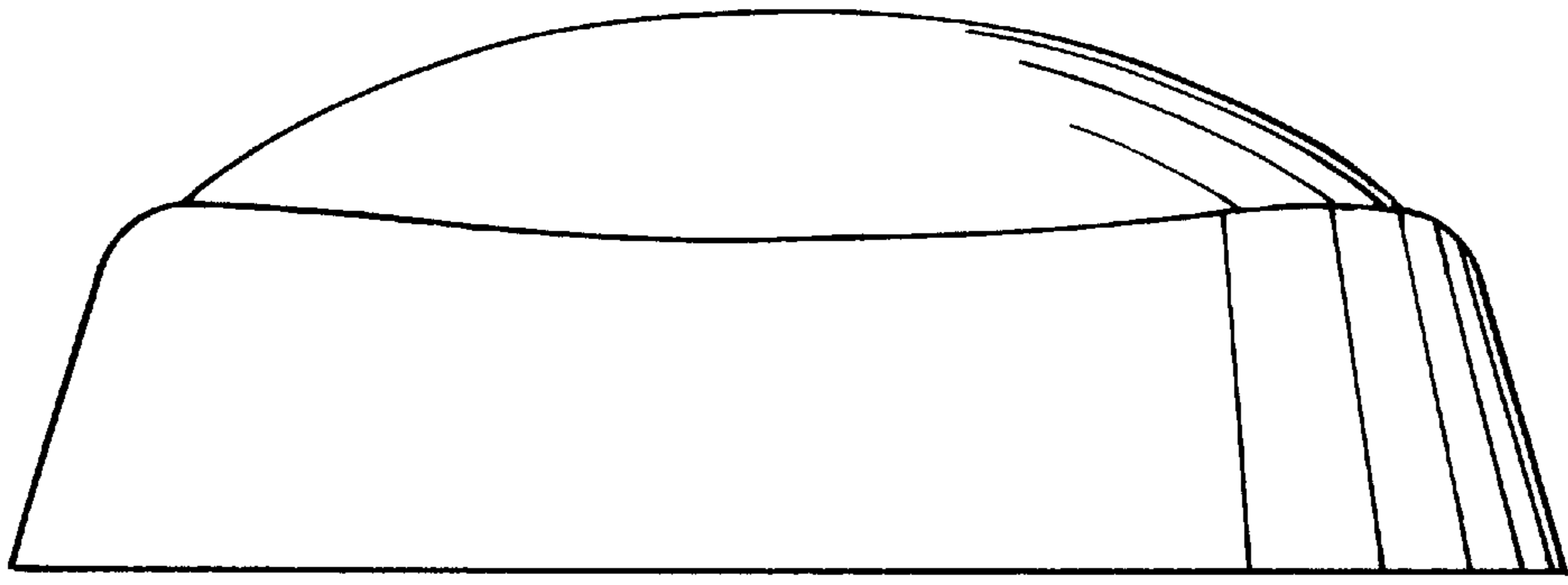


FIG. 6

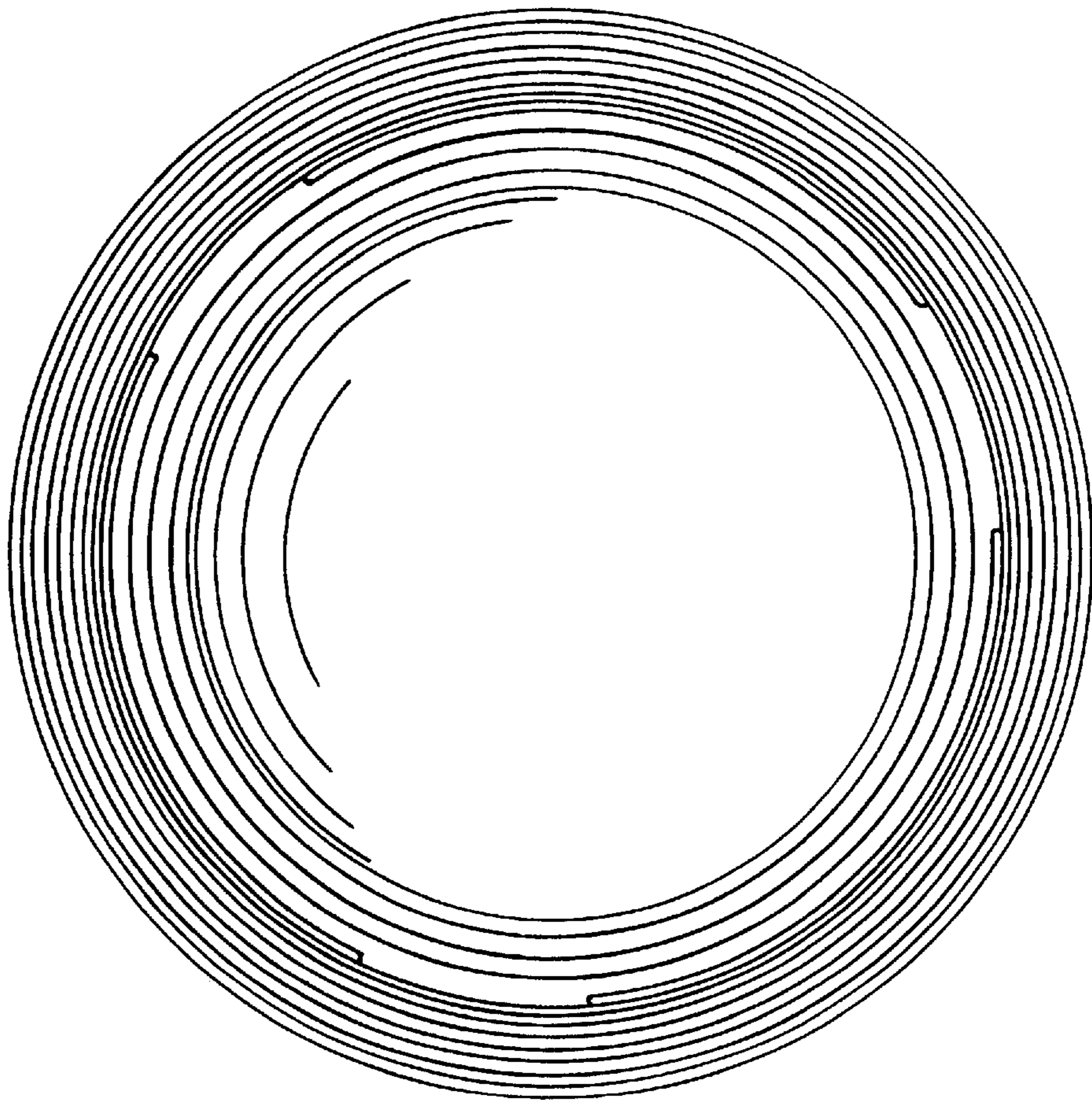


FIG. 7