



US00D466010S

(12) **United States Design Patent**  
**Valdez et al.**

(10) **Patent No.:** **US D466,010 S**

(45) **Date of Patent:** **\*\* Nov. 26, 2002**

(54) **SELF-STANDABLE TRAY FOR STORAGE AND DISPLAY OF DIE-CAST TOYS**

D423,344 S \* 4/2000 Kumakura et al. .... D9/415  
D423,928 S \* 5/2000 Kumakura et al. .... D9/415  
D441,192 S \* 5/2001 Park ..... D9/423

(76) Inventors: **Dominic M. Valdez**, 12120 Oregon Ave., Chino, CA (US) 91710; **Yolanda Valdez**, 12120 Oregon Ave., Chino, CA (US) 91710

\* cited by examiner

*Primary Examiner*—Prabhakar Deshmukh

(\*\*) Term: **14 Years**

(57) **CLAIM**

The ornamental design for self-standable tray storage and display of die-cast toys, as shown and described.

(21) Appl. No.: **29/149,219**

(22) Filed: **Oct. 4, 2001**

**DESCRIPTION**

(51) **LOC (7) Cl.** ..... **09-03**

(52) **U.S. Cl.** ..... **D9/415**

(58) **Field of Search** ..... D9/415, 418, 425, D9/432; 206/461-471, 495, 806, 730, 579

The present invention is related to a flat tray having a plurality of isolated compartments configured for storage of at least one die-cast toy stored within one of said compartments of the tray, wherein the flat tray is self-standable at an angle from its laid-flat position or hang-able adapted for display of the die-cast toys.

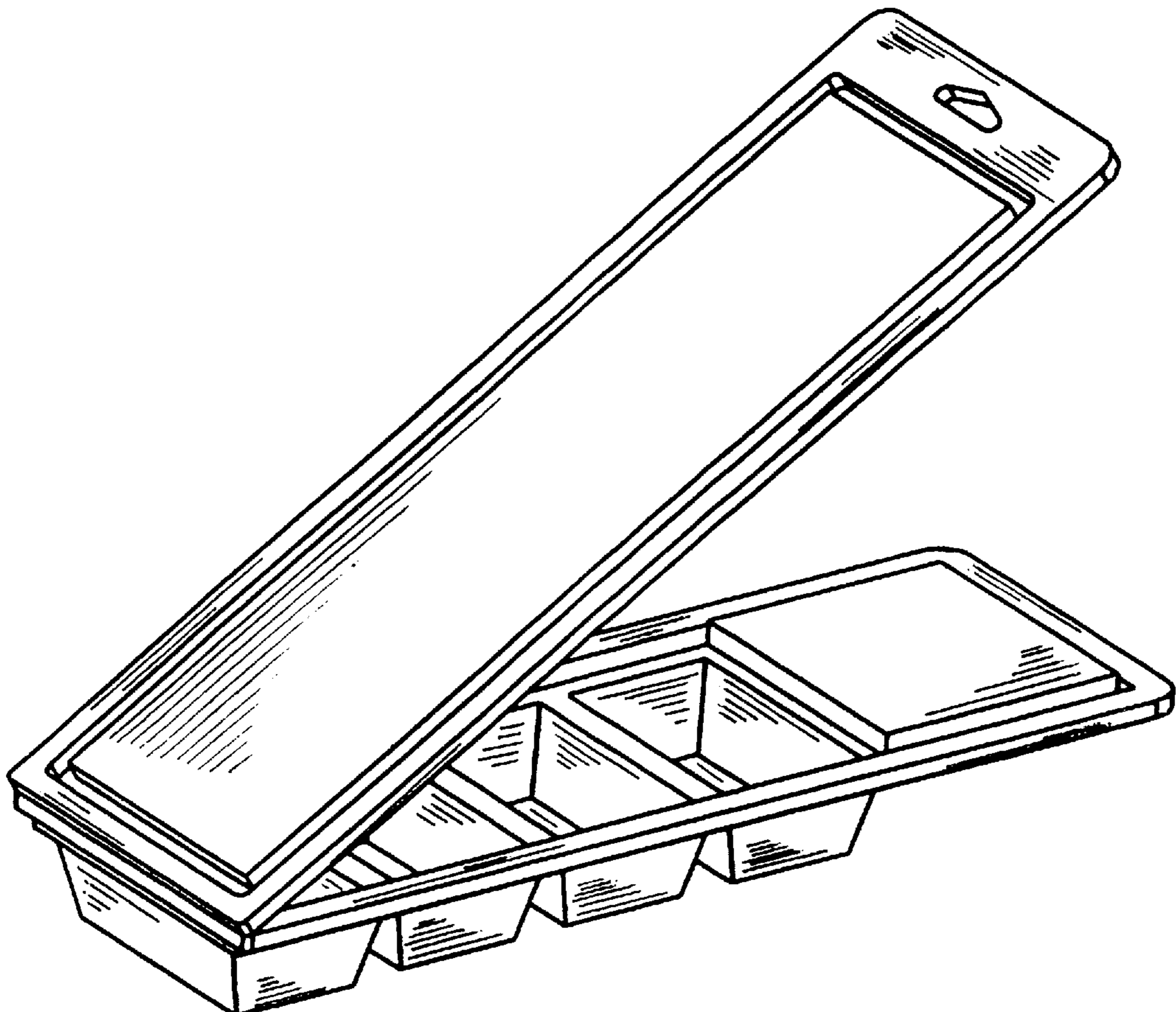
(56) **References Cited**

**U.S. PATENT DOCUMENTS**

3,288,280 A \* 11/1966 Bostrom ..... 206/461  
D292,776 S \* 11/1987 Cugley ..... D9/415  
D338,819 S \* 8/1993 Mylander et al. .... D9/415  
5,485,919 A \* 1/1996 Samberg et al. .... 206/470  
5,735,404 A \* 4/1998 Kumakura et al. .... 206/469  
5,816,408 A \* 10/1998 Indelicato ..... 206/471

FIG. 1 is a perspective view of a self-standable tray for storage and display of die-cast toys showing our new design; FIG. 2 is a bottom plan view thereof; FIG. 3 is a top plan view thereof; FIG. 4 is a front elevational view thereof; and, FIG. 5 is a side elevational view thereof.

**1 Claim, 5 Drawing Sheets**



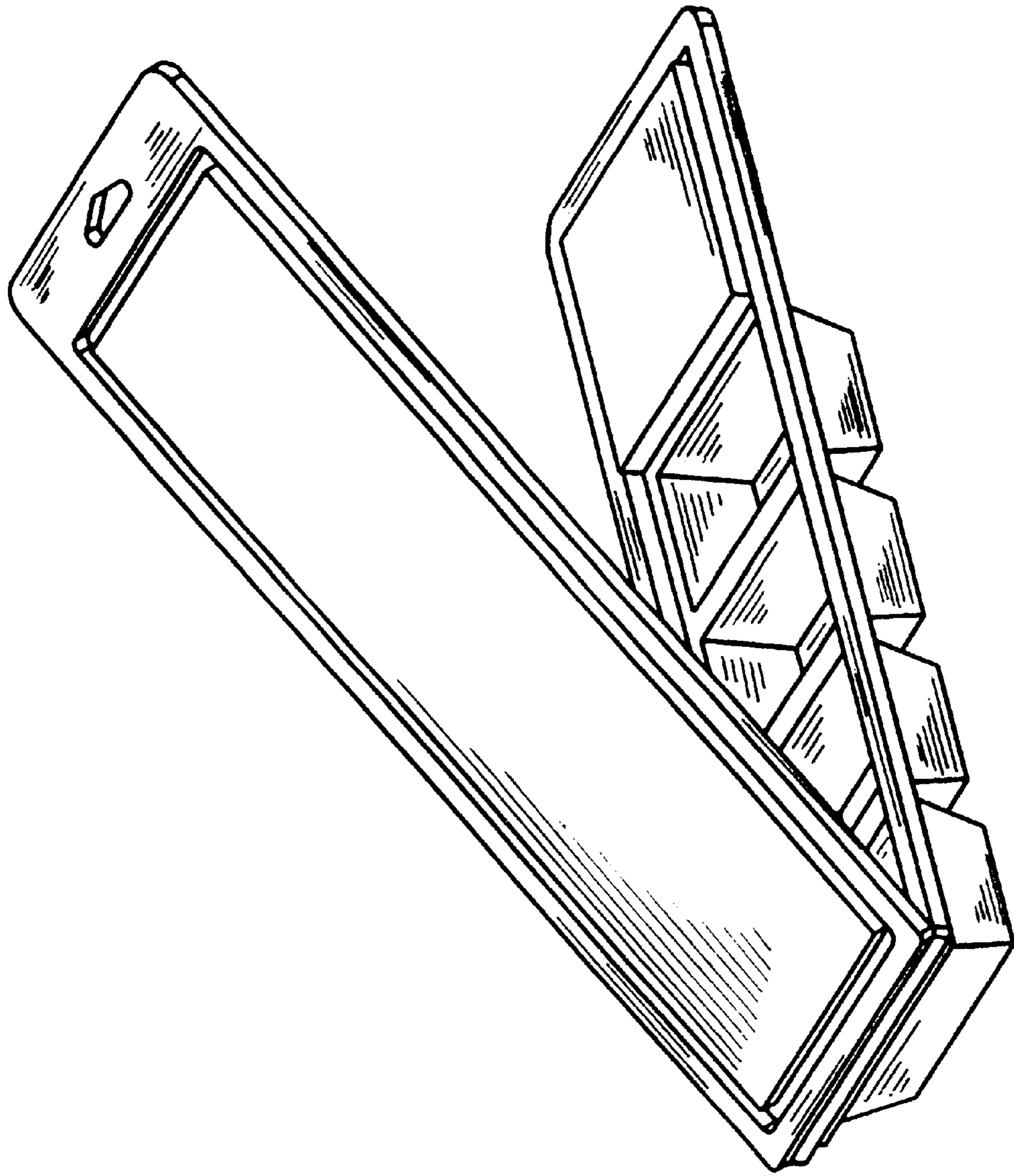


FIG. 1

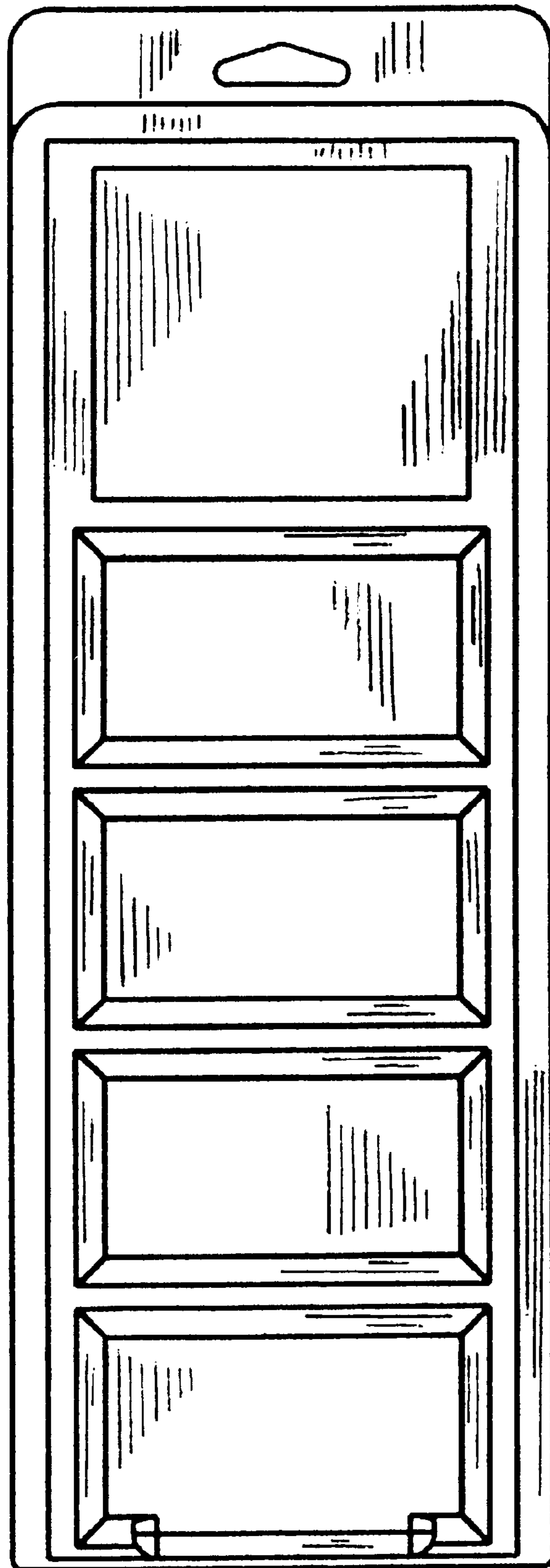


FIG. 2

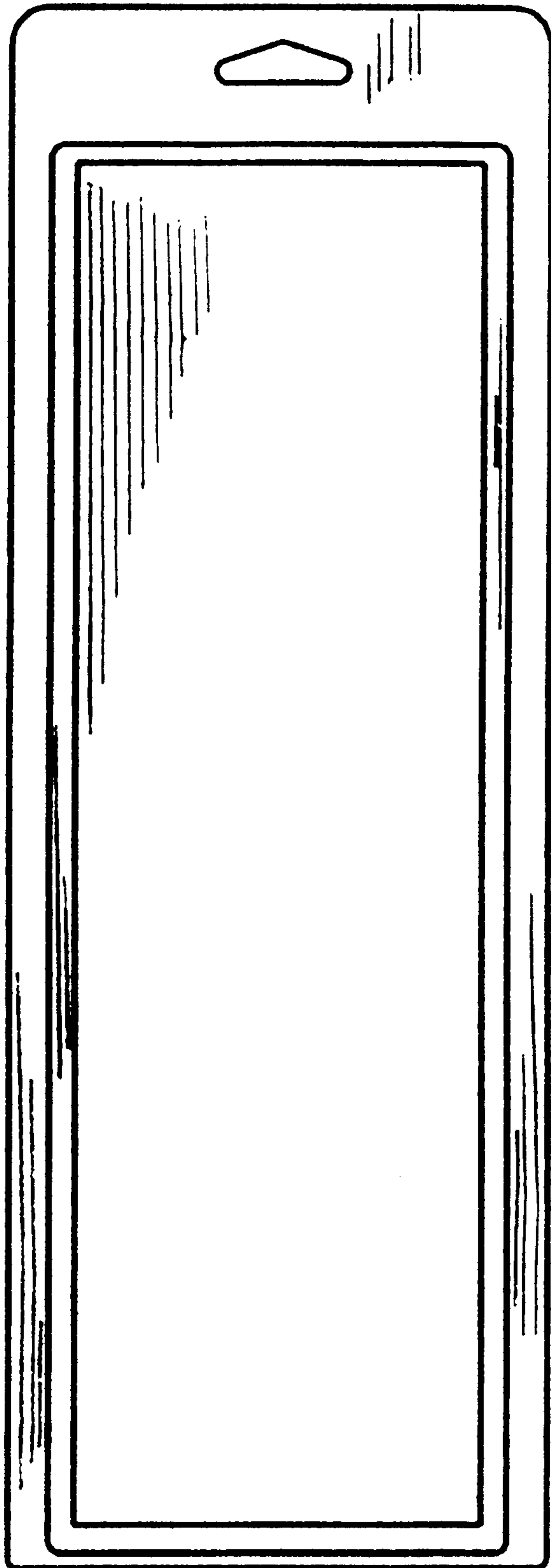


FIG. 3

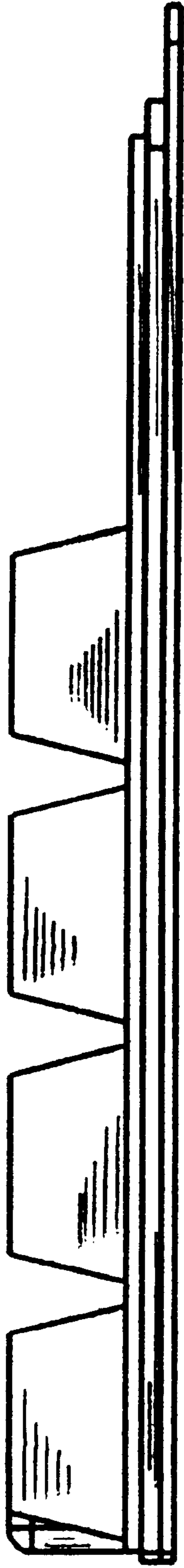


FIG. 4

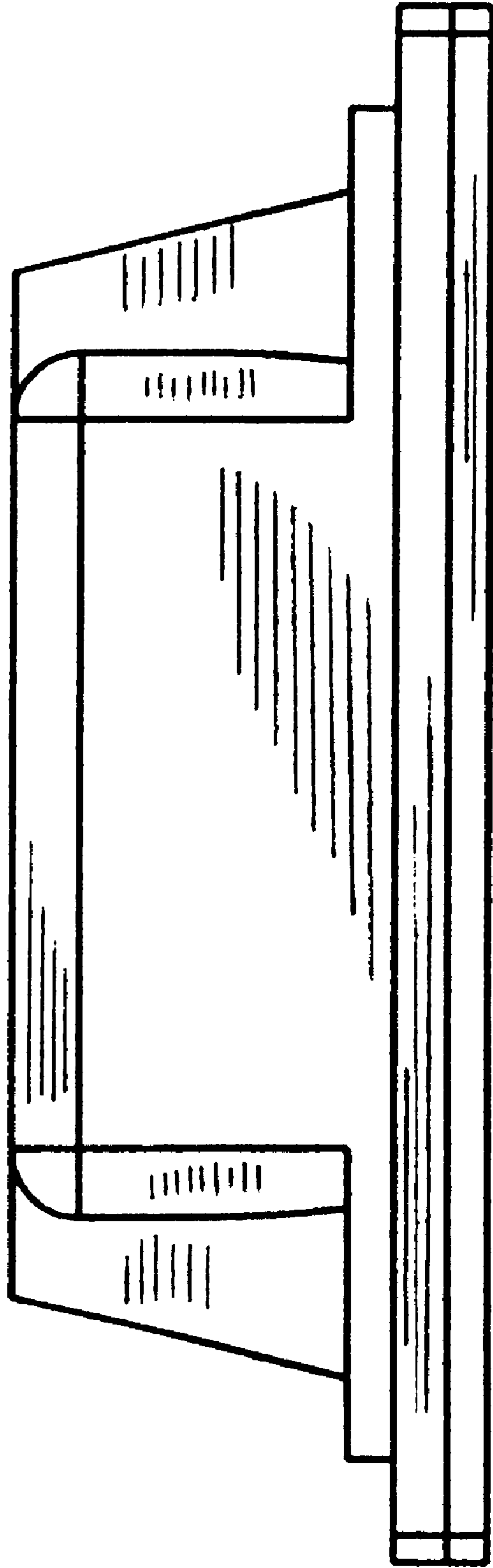


FIG. 5