



US00D466001S

(12) **United States Design Patent**
Monson

(10) **Patent No.:** **US D466,001 S**

(45) **Date of Patent:** **** Nov. 26, 2002**

- (54) **BOLT**
- (76) Inventor: **Brant Monson**, 3875 N. Cove Dr.,
Provo, UT (US) 84604
- (**) Term: **14 Years**
- (21) Appl. No.: **29/151,161**
- (22) Filed: **Oct. 19, 2001**
- (51) **LOC (7) Cl.** **08-08**
- (52) **U.S. Cl.** **D8/387**
- (58) **Field of Search** D8/382, 385-388,
D8/391, 397; 411/107, 108, 259.1, 366,
368, 371, 377, 378, 395, 398, 402, 403,
412, 416, 427, 431; 403/322.2; 470/11

- 4,749,319 A * 6/1988 Sygnator 411/188
- D303,494 S 9/1989 Lange
- 5,044,855 A * 9/1991 Fukubayashi 411/386
- 5,156,509 A 10/1992 Wu
- D335,465 S 5/1993 Garrison, III
- 5,214,987 A * 6/1993 Fenton, Sr. 411/395
- 5,549,677 A * 8/1996 Durr et al. 411/397
- 5,580,199 A * 12/1996 Suzuki 411/188
- 5,795,120 A * 8/1998 Hurdle 408/229
- 5,913,650 A * 6/1999 Daoud 220/327
- 5,919,020 A * 7/1999 Walther 411/368
- D418,048 S 12/1999 Chan
- 6,042,314 A 3/2000 Guelck
- D422,202 S * 4/2000 Maki D8/387
- 6,045,312 A * 4/2000 Hsing 411/399
- 6,317,936 B1 * 11/2001 McDaid et al. 24/265 CD
- 6,318,924 B1 11/2001 Schiavo, Jr.
- 6,321,623 B1 11/2001 Dykes et al.
- 6,343,808 B1 * 2/2002 Luh 280/511

(56) **References Cited**

U.S. PATENT DOCUMENTS

- 66,234 A * 7/1867 Grilley 411/378
- 74,692 A * 2/1868 Ives 411/397
- 231,613 A * 8/1880 Richards 411/400
- 316,619 A 4/1885 Hayes
- 755,804 A * 3/1904 Smith 411/402
- 1,243,799 A * 10/1917 Bissell 411/397
- 1,312,409 A * 8/1919 Miller et al. 411/399
- 1,868,415 A 7/1932 Gundersen et al.
- 2,064,342 A * 12/1936 England 29/437
- 2,076,041 A 4/1937 Payne
- 2,120,061 A 6/1938 Blakeslee
- 2,227,084 A 12/1940 Hassig
- 2,752,814 A 7/1956 Iaia
- 3,079,968 A 3/1963 Buckley
- 3,244,057 A * 4/1966 Mathison 411/392
- D207,123 S 3/1967 Flood
- 3,337,925 A 8/1967 Meyer
- D218,226 S 8/1970 Painaud
- 4,121,495 A 10/1978 Malo et al.
- 4,124,317 A * 11/1978 Dauth 403/254
- 4,484,849 A 11/1984 Klimowicz
- 4,516,893 A 5/1985 Barth
- D283,301 S * 4/1986 Spitz D8/382
- 4,659,267 A * 4/1987 Uno et al. 411/410

* cited by examiner

Primary Examiner—Alan P. Douglas

Assistant Examiner—Clare E. Heflin

(74) *Attorney, Agent, or Firm*—Morriss, Bateman,
O'Bryant & Compagni, P.C.

(57) **CLAIM**

The ornamental design for a bolt, as shown and described.

DESCRIPTION

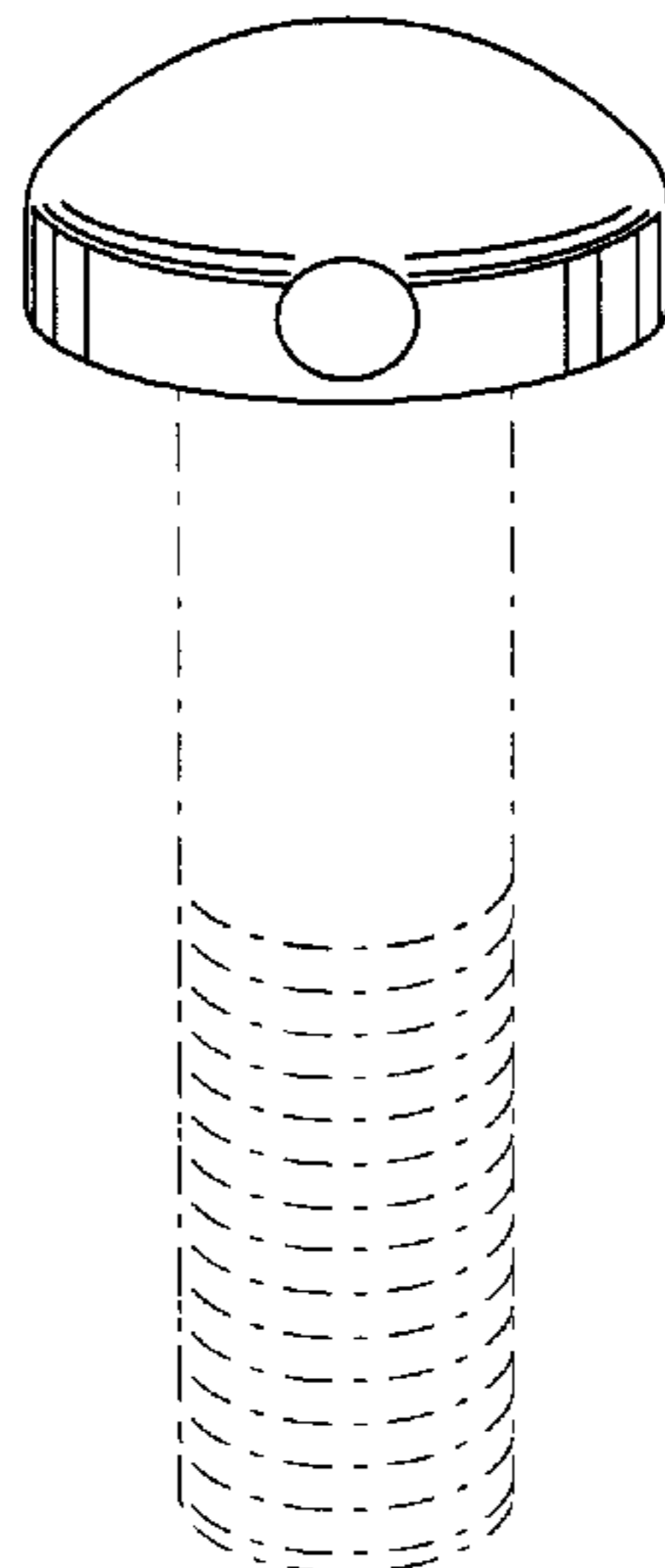
FIG. 1 shows a top view of a bolt made in accordance with the design of the present invention;

FIG. 2 shows a side view of the bolt of FIG. 1 made in accordance with the present invention, each of the other side views being the same but omitting the hole;

FIG. 3 shows a perspective view of the bolt of FIG. 1 made in accordance with the design of the present invention; and, FIG. 4 shows a bottom view of the bolt of FIG. 1.

The broken lines shown on the drawings are for illustrative purposes only and form no part of the claimed design.

1 Claim, 1 Drawing Sheet



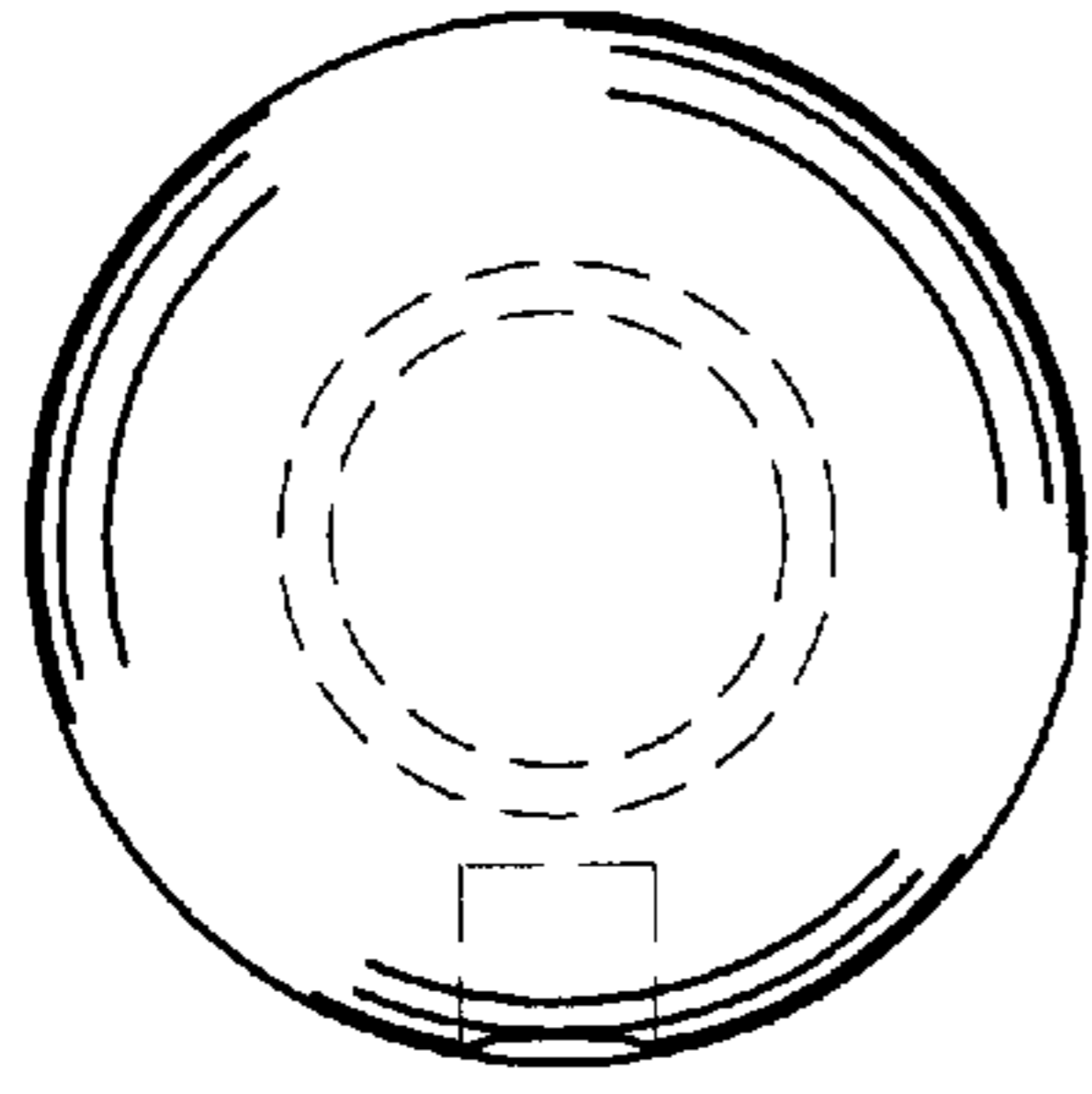


FIG. 1

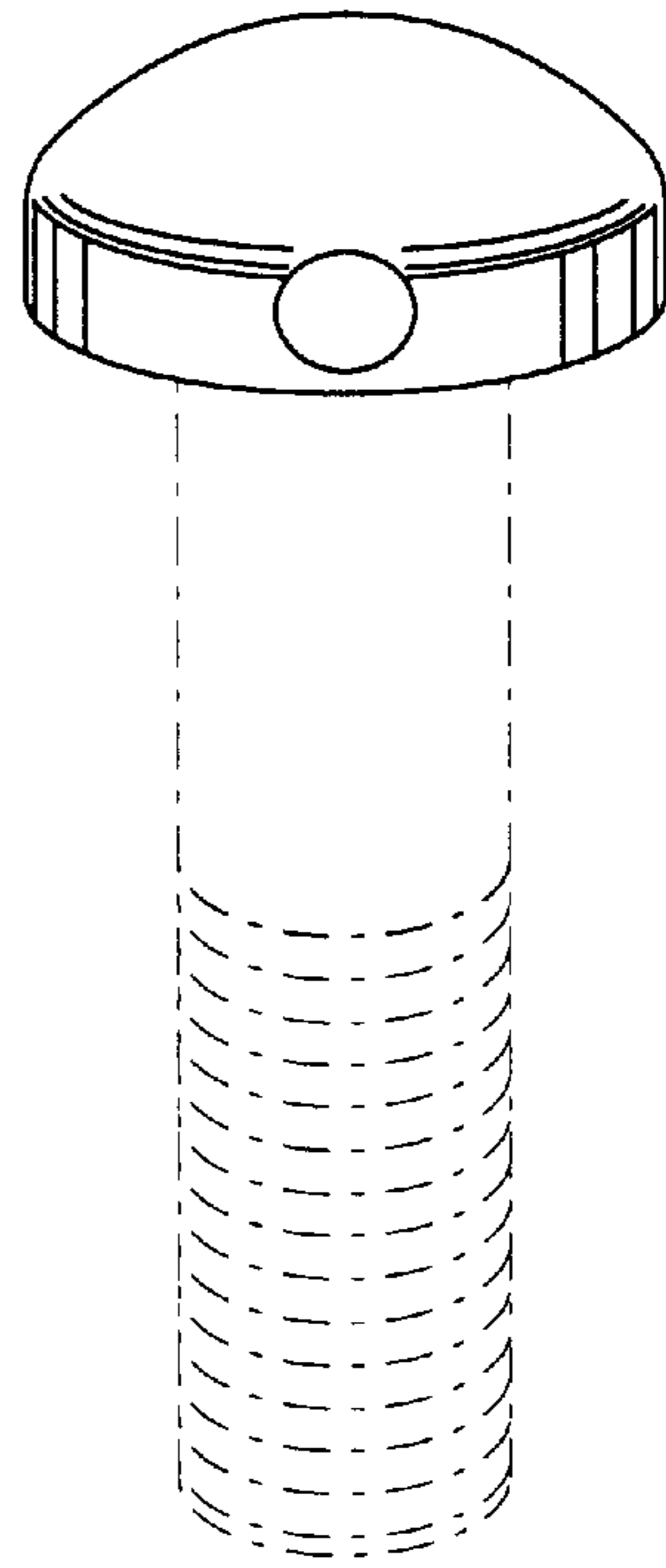


FIG. 3

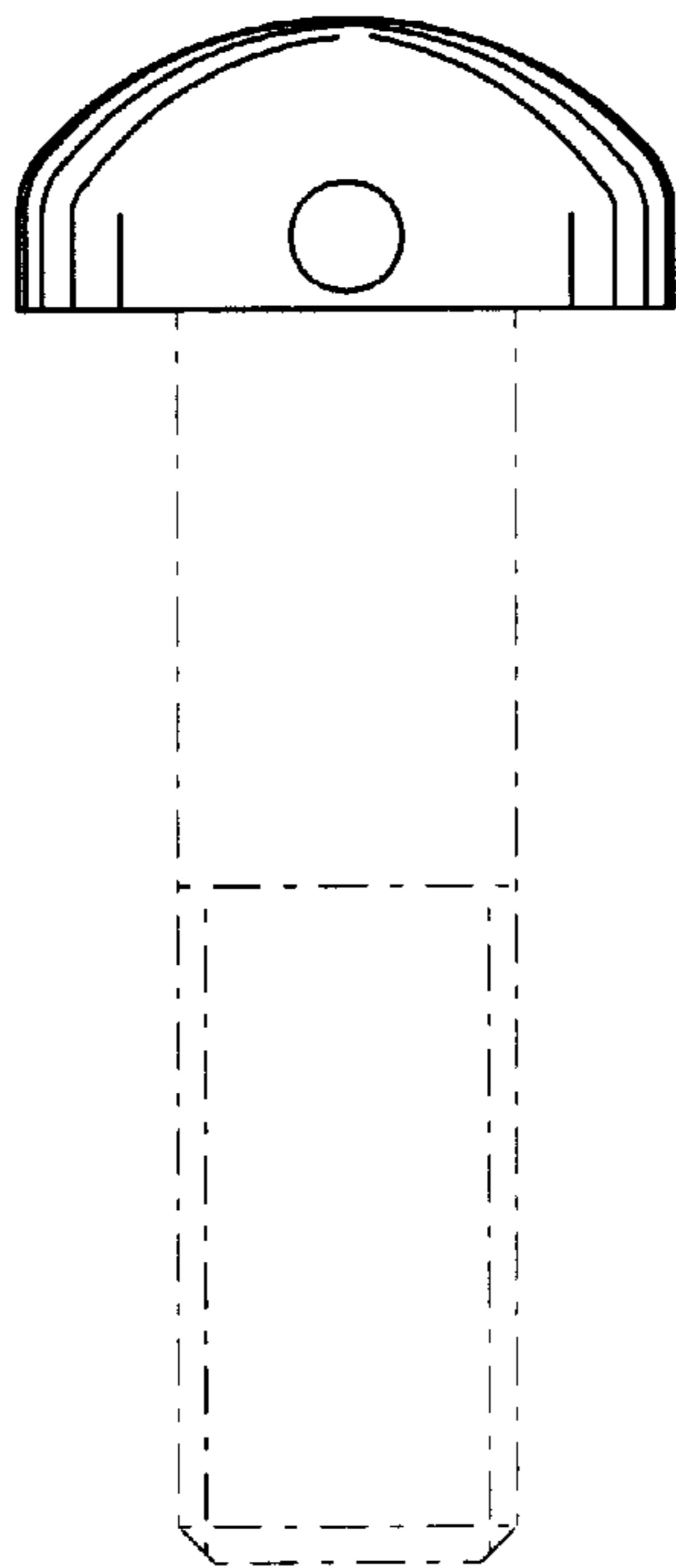


FIG. 2

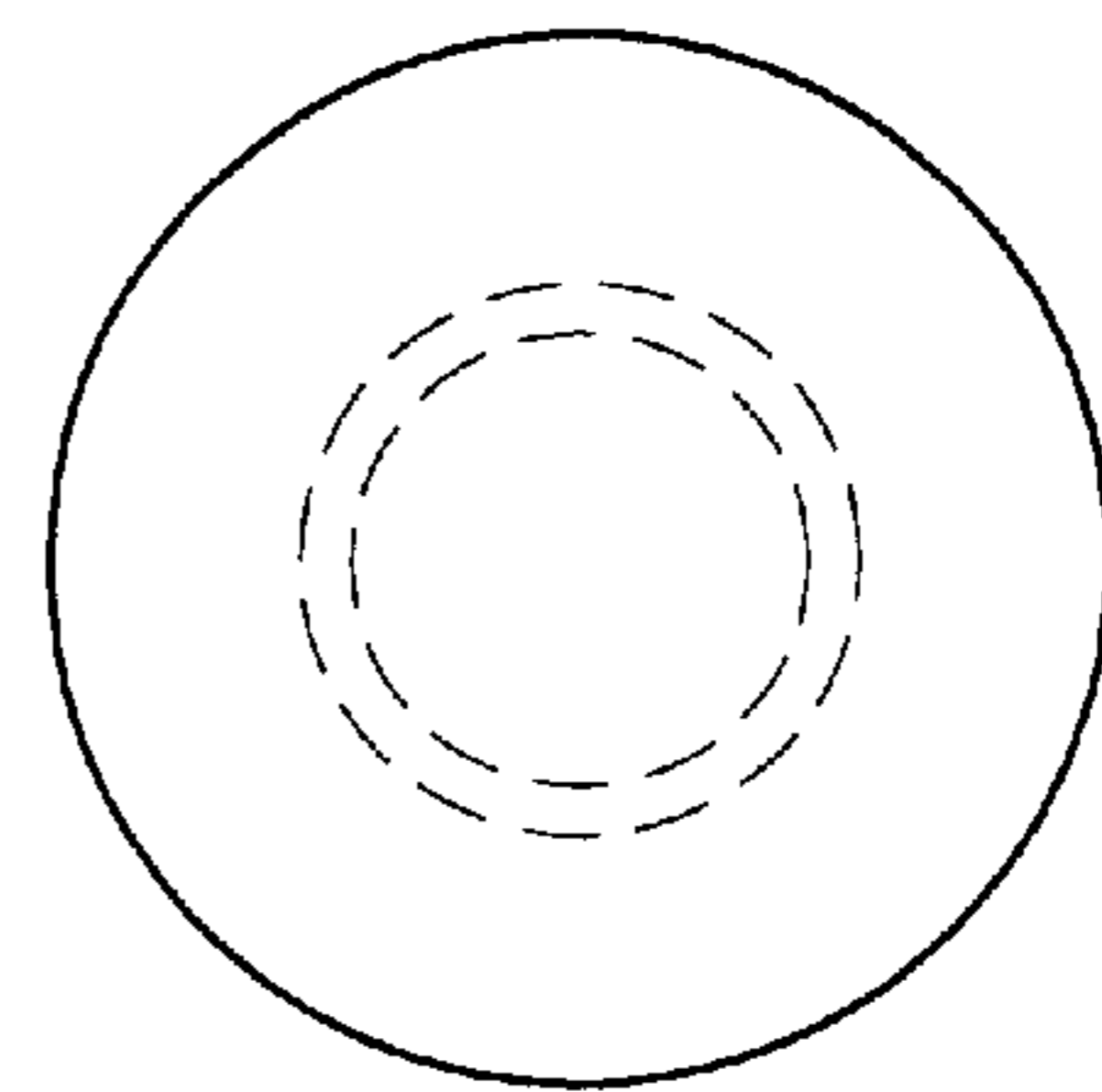


FIG. 4