



US00D465998S

(12) **United States Design Patent**
Goodman et al.

(10) **Patent No.: US D465,998 S**

(45) **Date of Patent: ** Nov. 26, 2002**

(54) **HOOK RACK**

D430,441 S 9/2000 Rosenberg D6/566

(75) Inventors: **Sheldon H. Goodman**, 30905 Stratford, Solon, OH (US) 44139; **Brian Stelmarski**, Mayfield Heights, OH (US)

Primary Examiner—Brian N. Vinson
(74) *Attorney, Agent, or Firm*—Pearne & Gordon LLP

(73) Assignee: **Sheldon H. Goodman**, Solon, OH (US)

(57) **CLAIM**

(**) Term: **14 Years**

The ornamental design for a hook rack, as shown and described.

(21) Appl. No.: **29/157,484**

(22) Filed: **Mar. 19, 2002**

DESCRIPTION

Related U.S. Application Data

(62) Division of application No. 29/135,542, filed on Jan. 12, 2001.

(51) **LOC (7) Cl.** **06-06**

(52) **U.S. Cl.** **D8/372; D6/566**

(58) **Field of Search** D6/566, 567, 323, D6/513-514; D8/370, 372; 248/302, 303, 309, 339; 211/87.01, 181.1, 106

FIG. 1 is a perspective view of a six hook rack showing our new design;

FIG. 2 is a front elevational view thereof;

FIG. 3 is a right side elevational view thereof, the left side view being a mirror image;

FIG. 4 is a rear elevational view thereof;

FIG. 5 is a top plan view thereof;

FIG. 6 is a bottom plan view thereof;

FIG. 7 is a perspective view of a second embodiment of a four hook rack showing our new design;

FIG. 8 is a front elevational view thereof;

FIG. 9 is a right side elevational view thereof, the left side view being a mirror image;

FIG. 10 is a rear elevational view thereof;

FIG. 11 is a top plan view thereof; and,

FIG. 12 is a bottom plan view thereof.

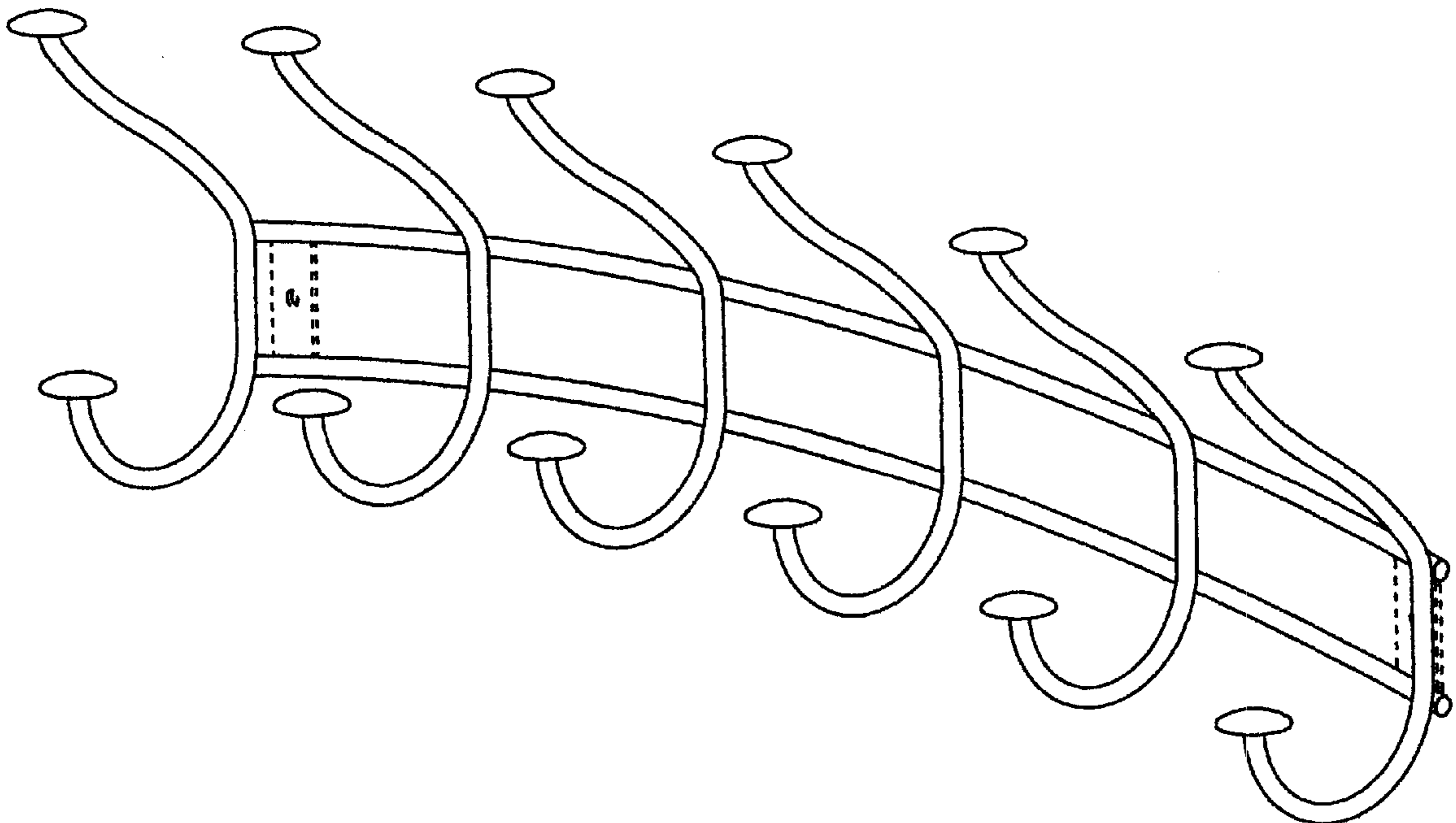
The broken line disclosure of elements in the views is for illustrative purposes only and forms no part of the claimed design.

(56) **References Cited**

U.S. PATENT DOCUMENTS

| | | | |
|------------|---------|------------------------|----------|
| D295,344 S | 4/1988 | Pryor et al. | D6/566 X |
| D298,713 S | 11/1988 | Hinderaker et al. | D6/566 X |
| D355,841 S | 2/1995 | Goodman et al. | D6/566 X |
| D363,208 S | 10/1995 | Seidel | D6/566 X |
| D371,484 S | 7/1996 | Munoz | D6/566 |
| D421,355 S | 3/2000 | Goodman et al. | D6/566 X |

1 Claim, 4 Drawing Sheets



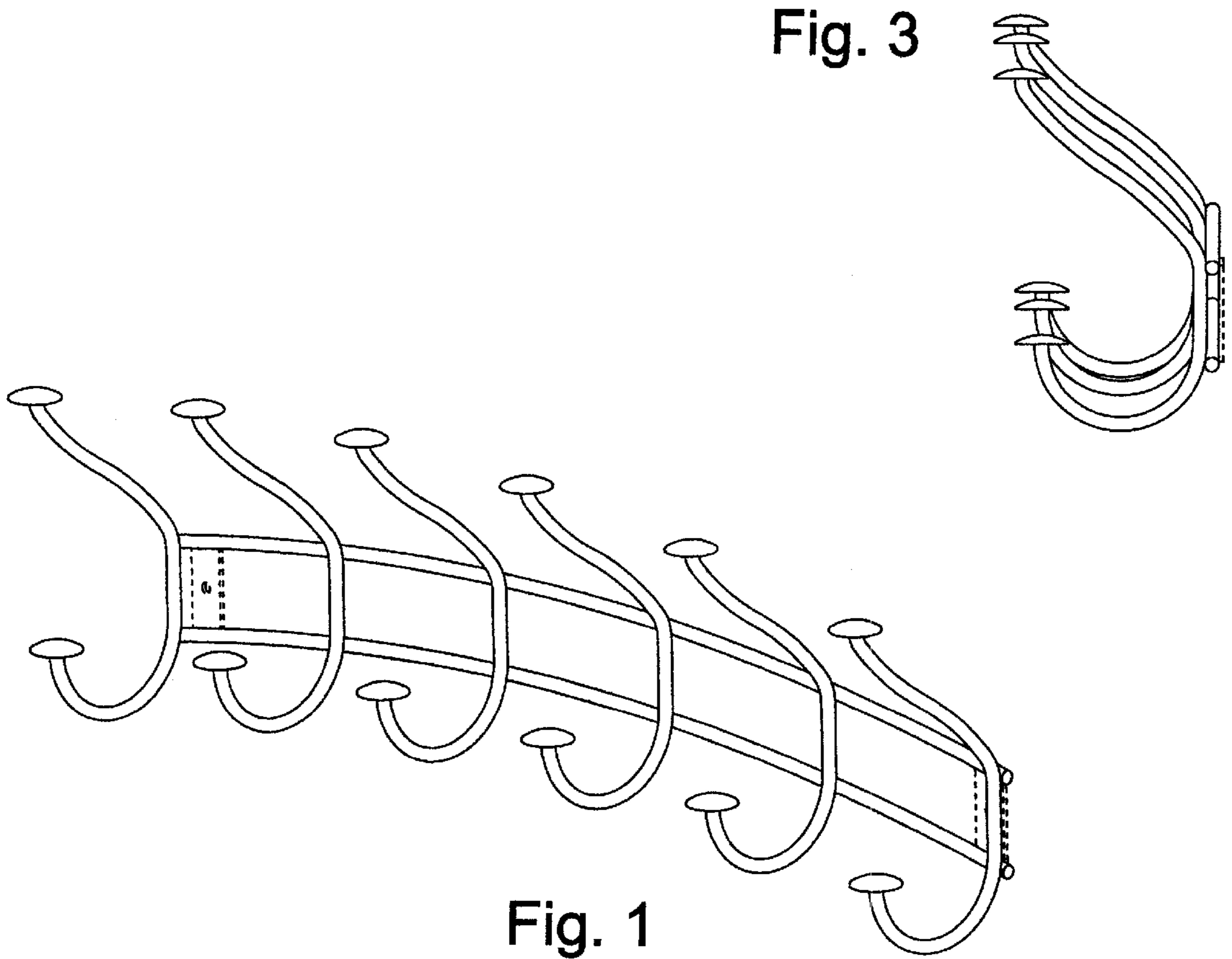


Fig. 1

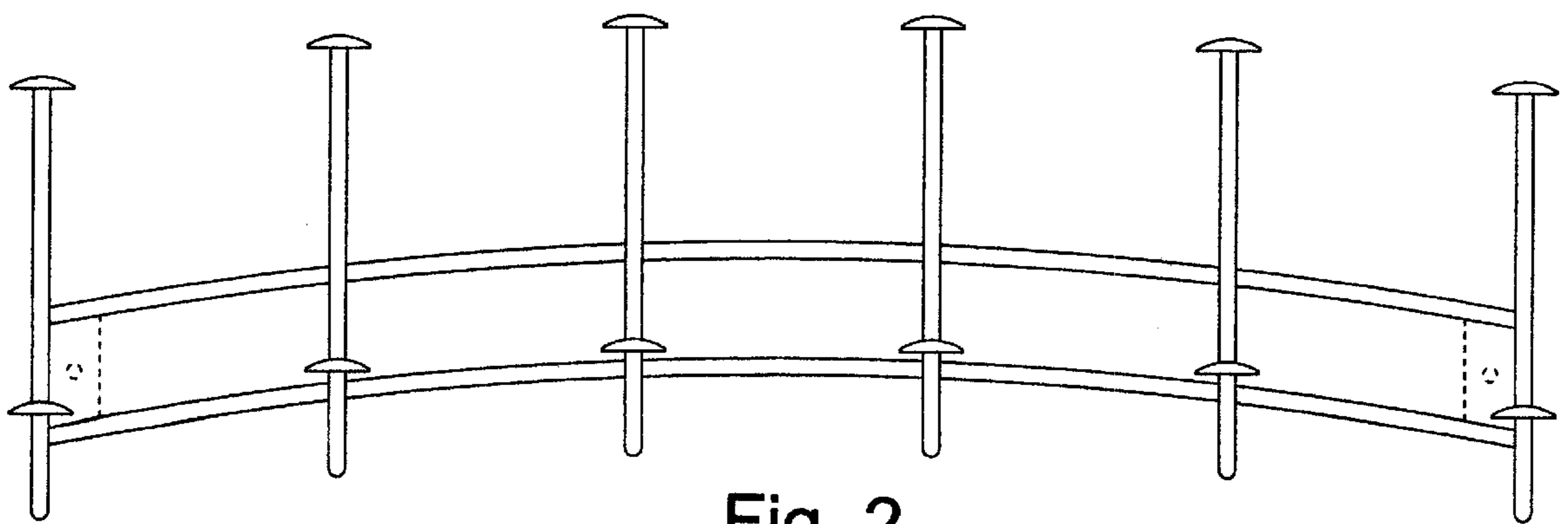


Fig. 2

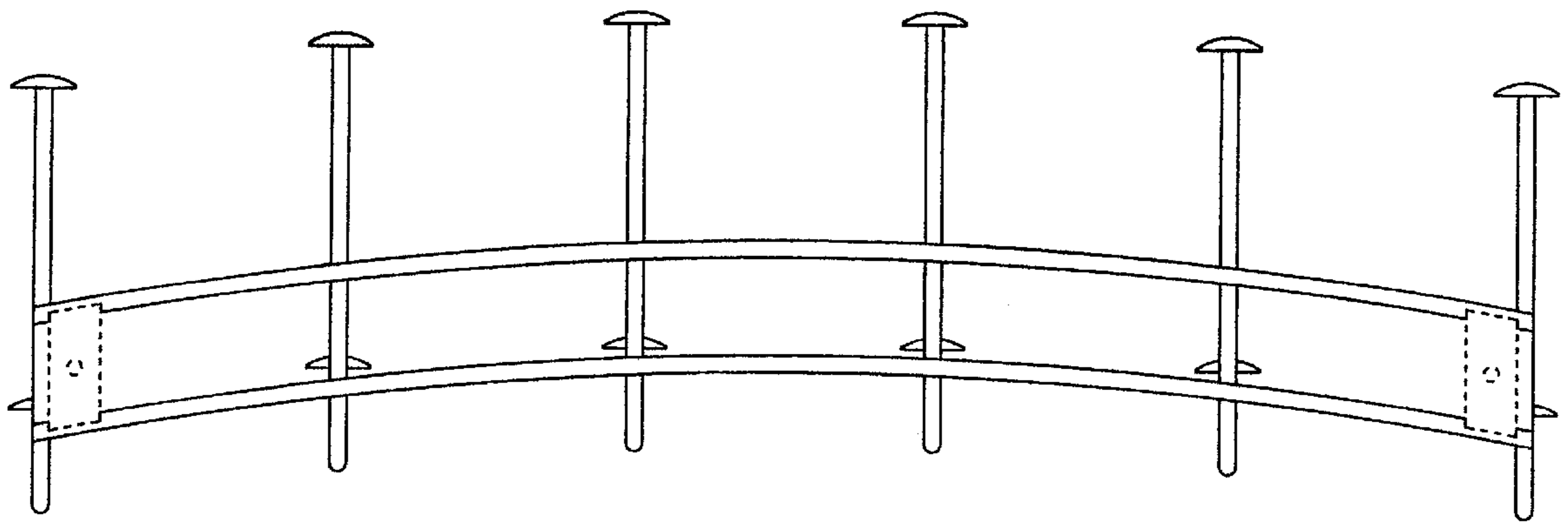


Fig. 4

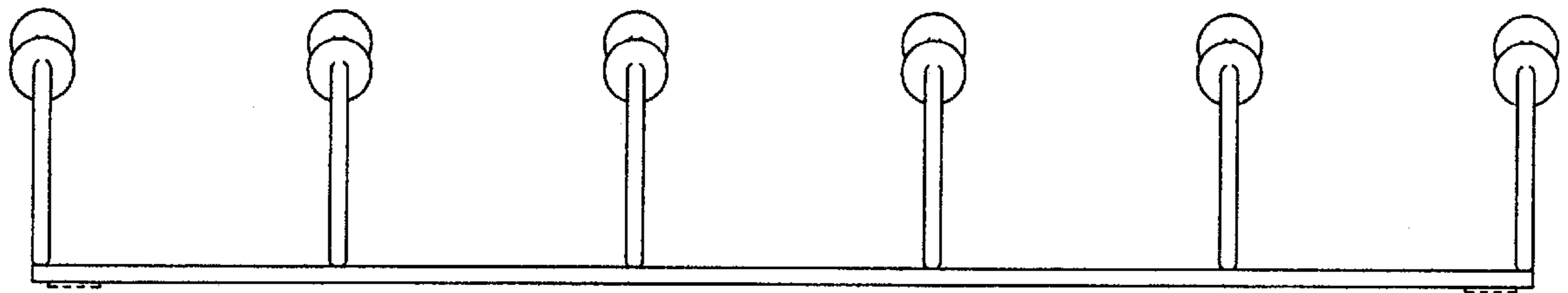


Fig. 6

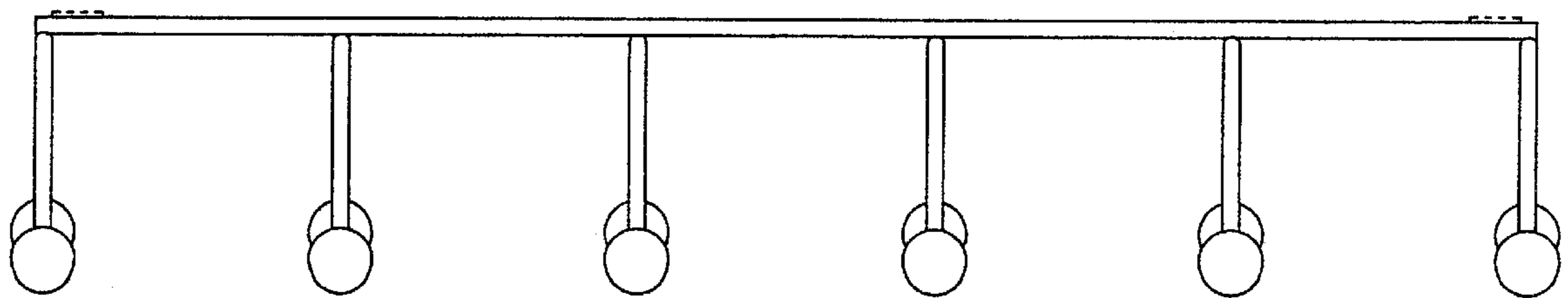


Fig. 5

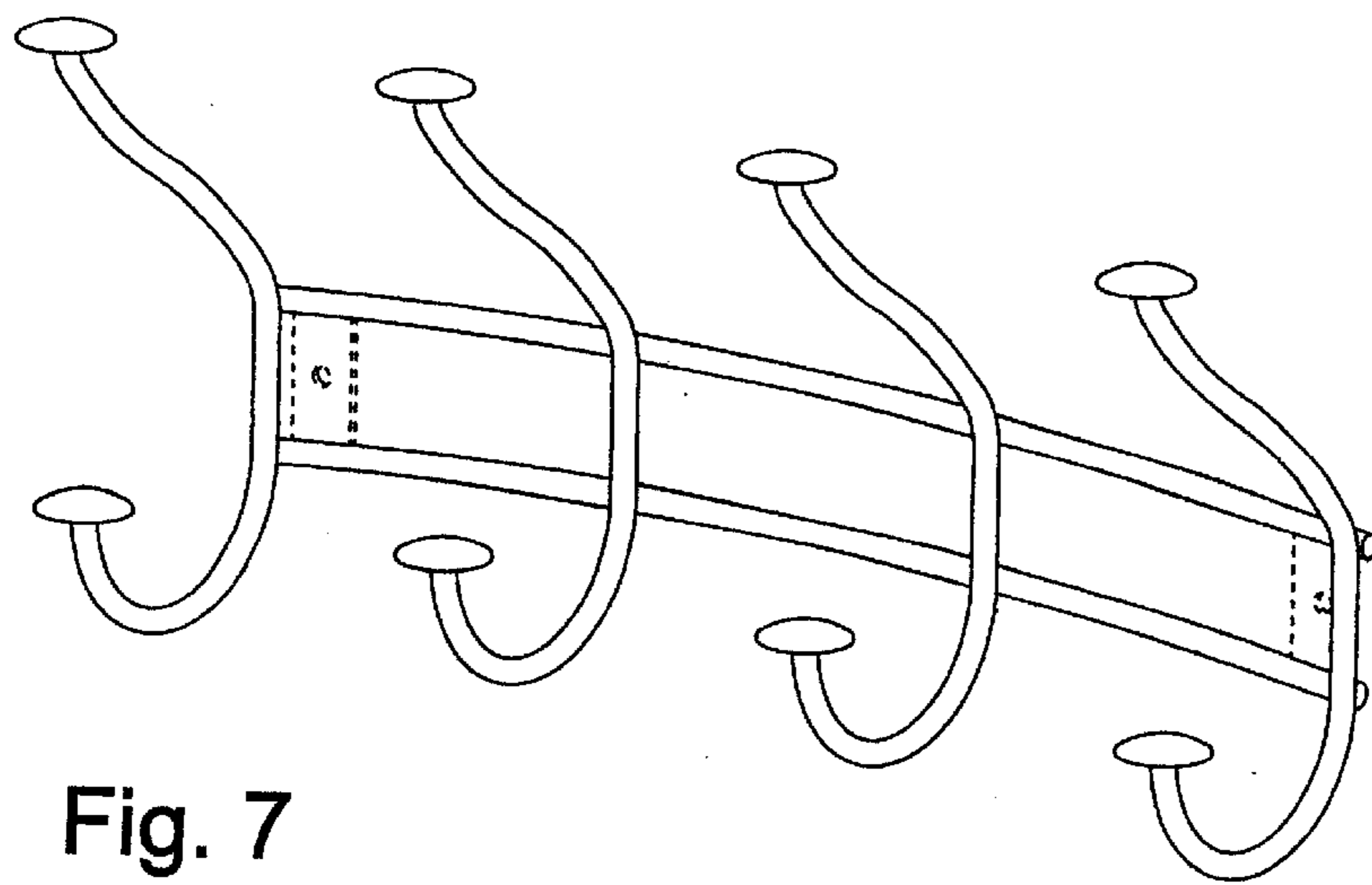


Fig. 7

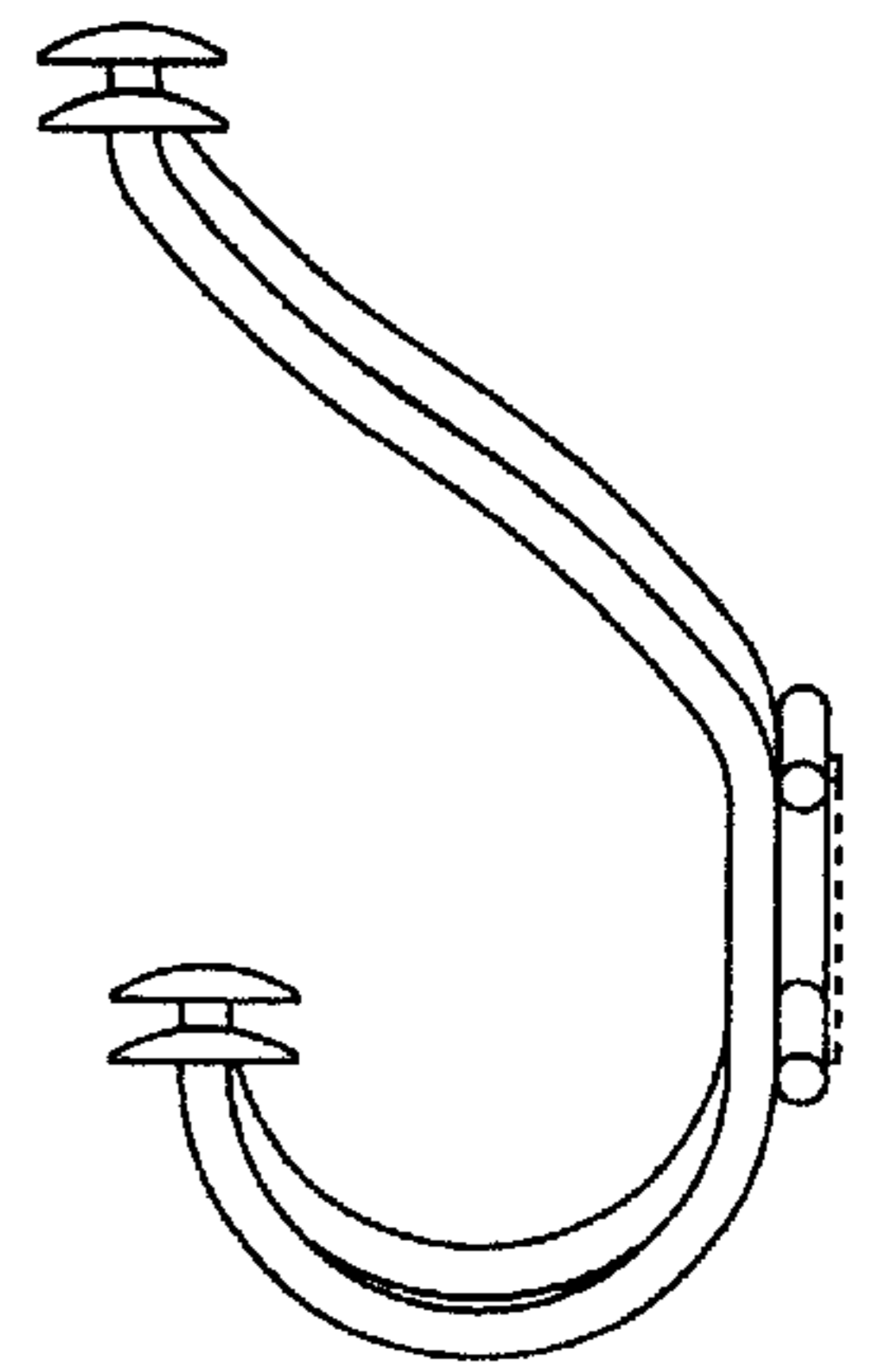


Fig. 9

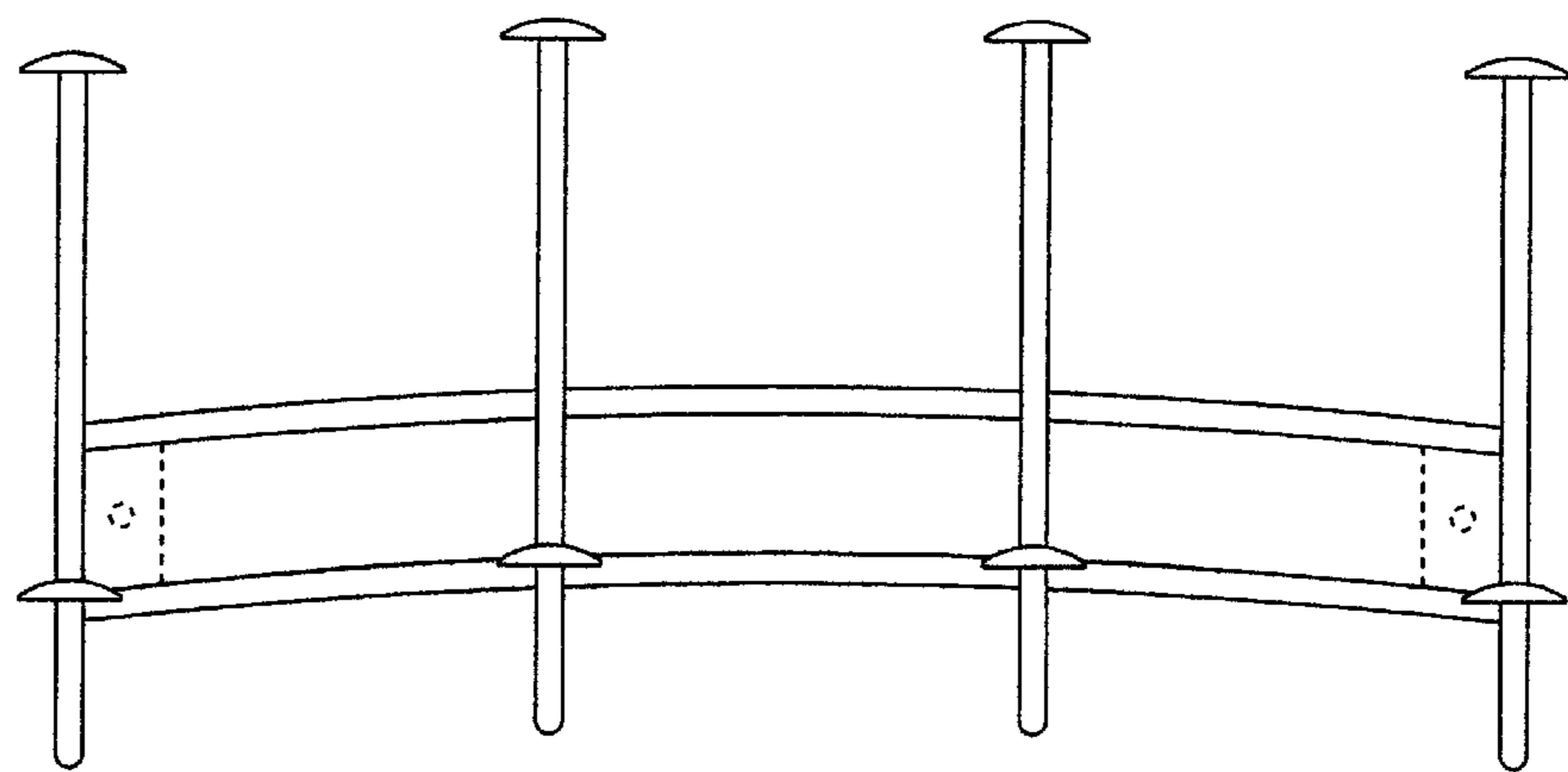


Fig. 8

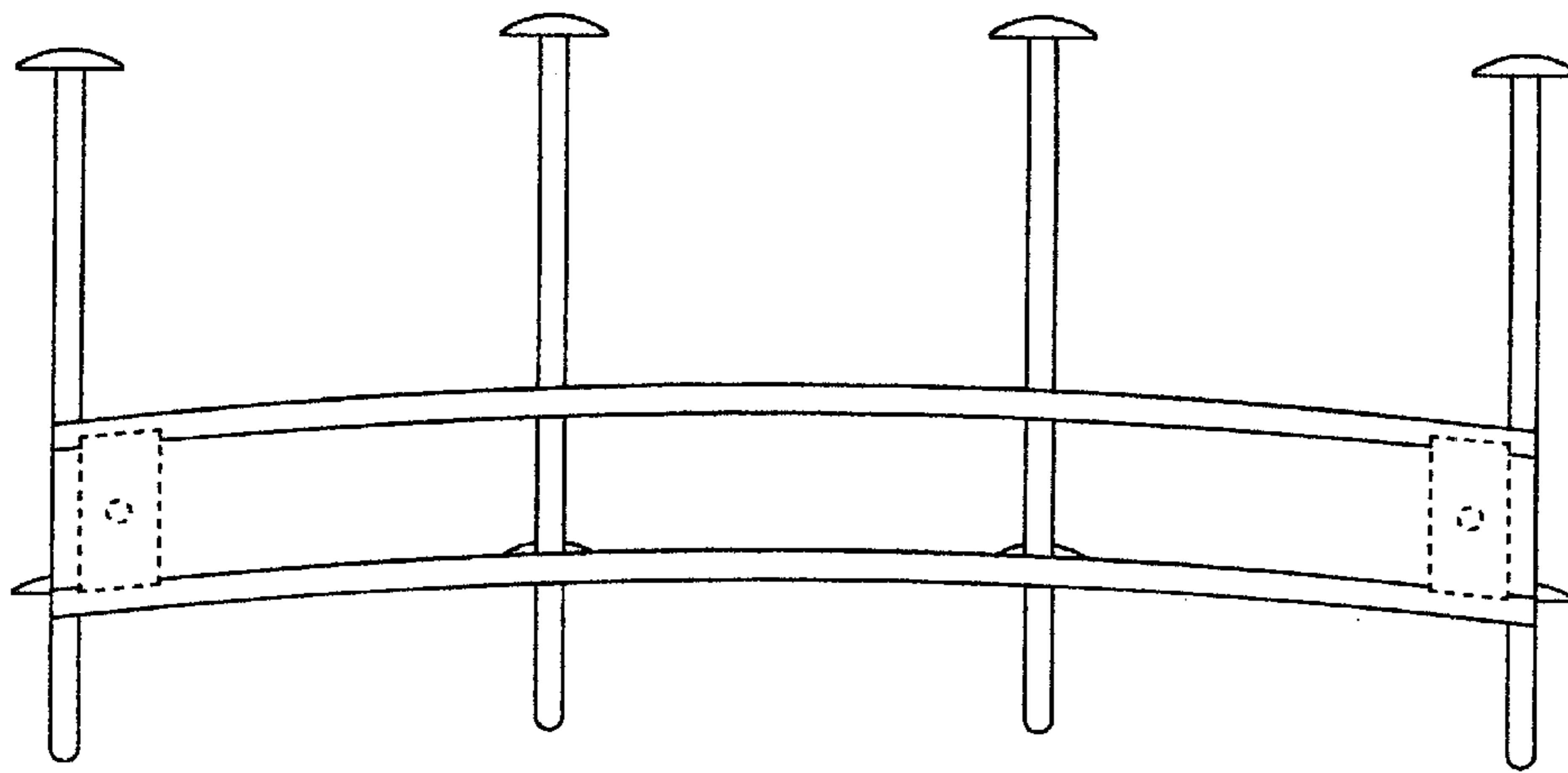


Fig. 10

Fig. 12

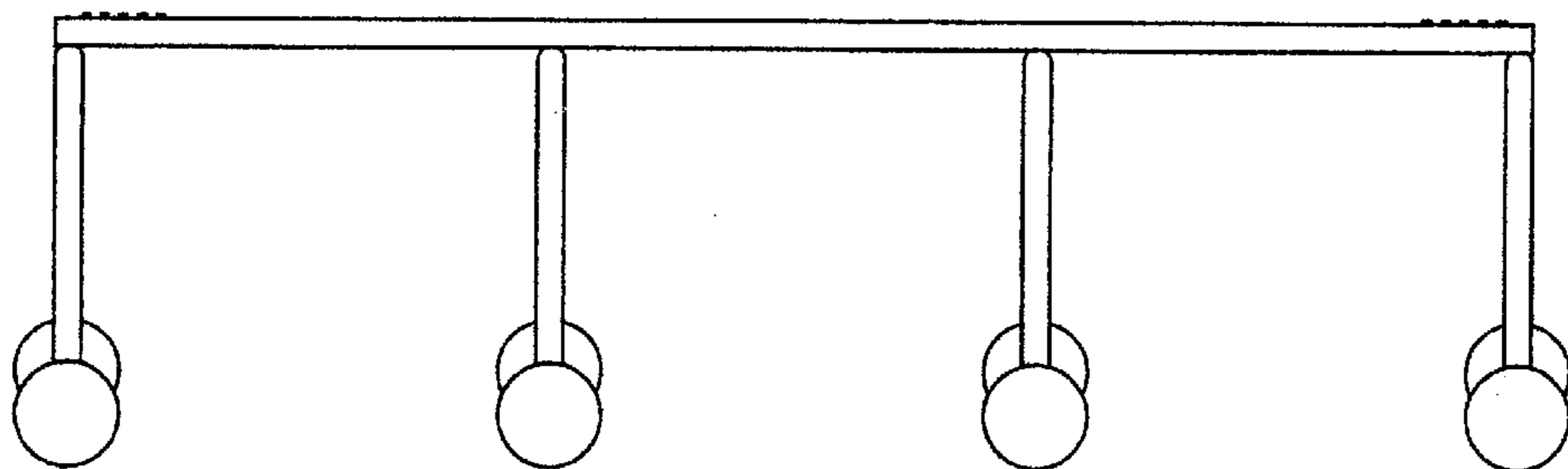
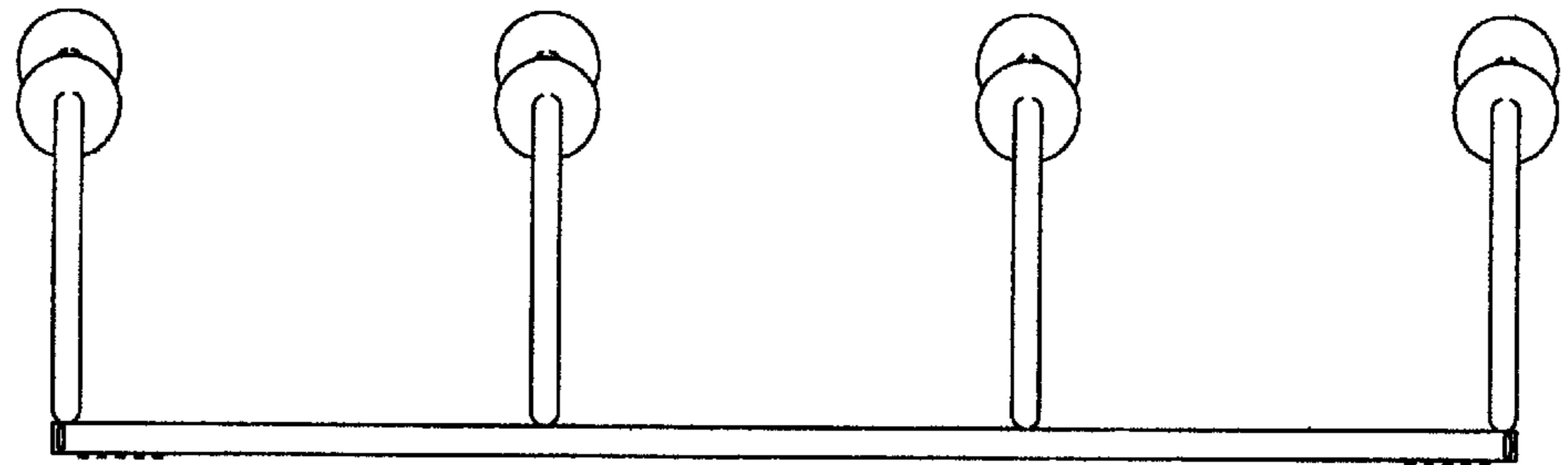


Fig. 11