



US00D465996S

(12) **United States Design Patent**
Suero, Jr.

(10) **Patent No.:** **US D465,996 S**

(45) **Date of Patent:** **** Nov. 26, 2002**

(54) **CURTAIN HOOK**

5,791,614 A * 8/1998 Sims 248/304
D439,141 S * 3/2001 Ho D8/367

(75) Inventor: **Jose Suero, Jr.**, Newark, DE (US)

* cited by examiner

(73) Assignee: **Zenith Products Corp.**, New Castle, DE (US)

Primary Examiner—Pamela Burgess

(**) Term: **14 Years**

(74) *Attorney, Agent, or Firm*—Edgar A. Zarins; Lloyd D. Doigan

(21) Appl. No.: **29/157,158**

(57) **CLAIM**

(22) Filed: **Mar. 13, 2002**

The ornamental design for a curtain hook, as shown and described.

(51) **LOC (7) Cl.** **08-05**

DESCRIPTION

(52) **U.S. Cl.** **D8/367**

FIG. 1 is a perspective view of a curtain hook showing my new design;

(58) **Field of Search** D8/367, 352, 369, D8/370, 371, 372; 24/552, 369, 305, 599.1, 455; D6/323, 524; 248/489, 231.91, 301–304, 216.1, 215, 339, 251, 218.1–218.3; 160/348, 349.2

FIG. 2 is a left side view thereof;

FIG. 3 is a rear view thereof;

FIG. 4 is a front view thereof;

FIG. 5 is a right side view thereof;

FIG. 6 is a top plan view thereof; and,

FIG. 7 is a bottom plan view thereof.

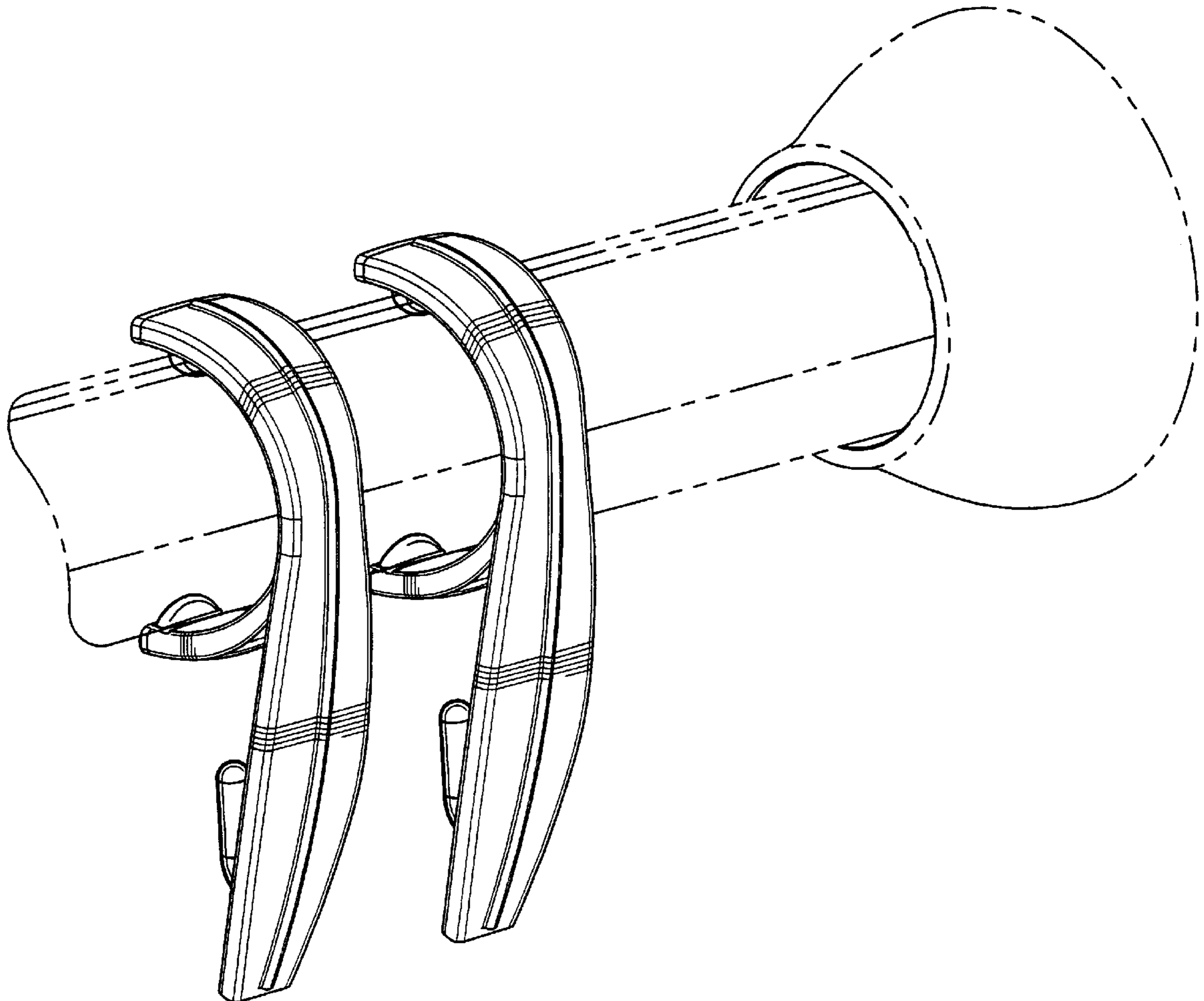
(56) **References Cited**

U.S. PATENT DOCUMENTS

The broken lines shown in FIG. 1 are for illustrative purposes only and form no part of the claimed design.

D253,276 S * 10/1979 Levine D8/267
D326,603 S * 6/1992 Rogers D6/323

1 Claim, 3 Drawing Sheets



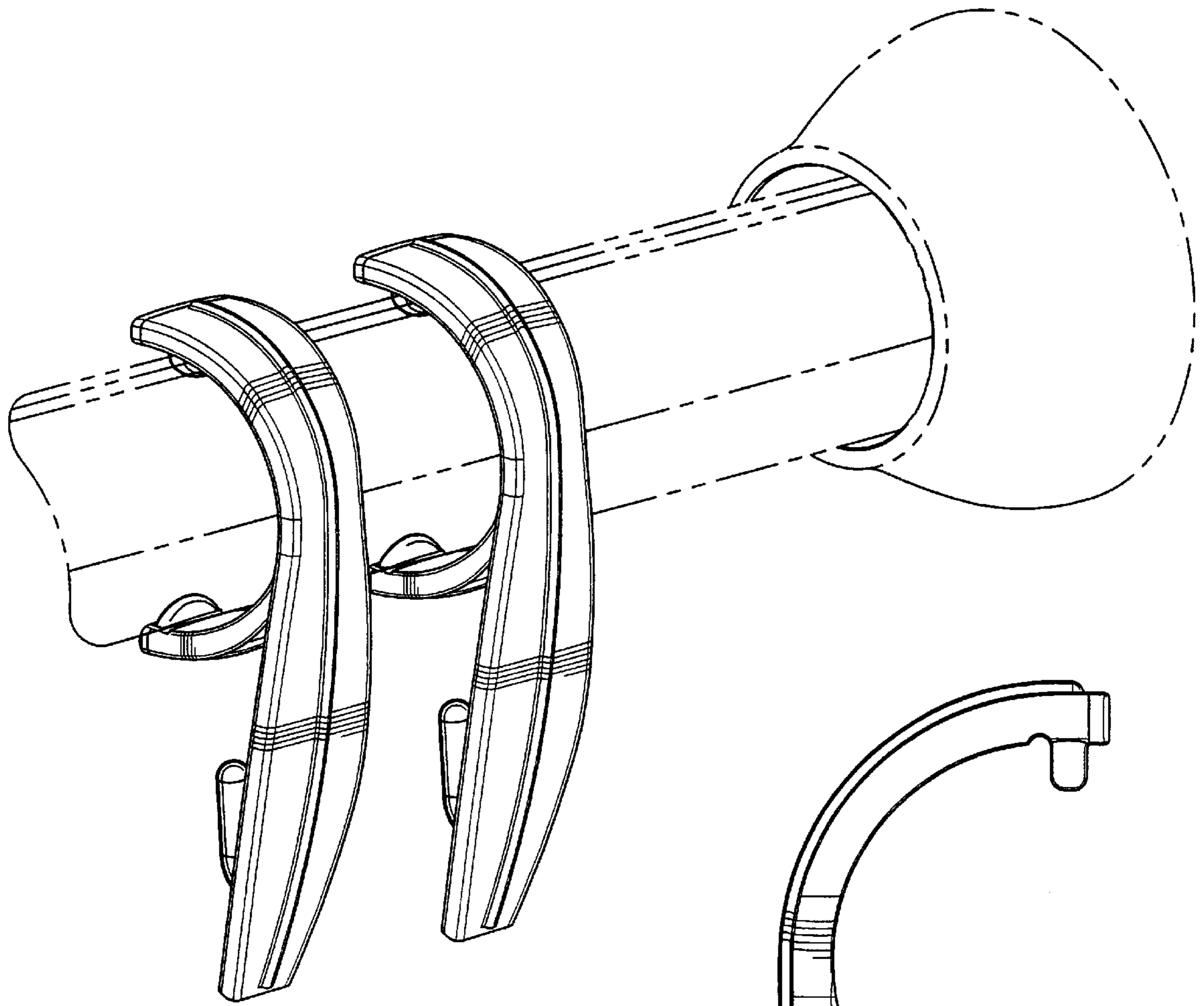


Fig-1

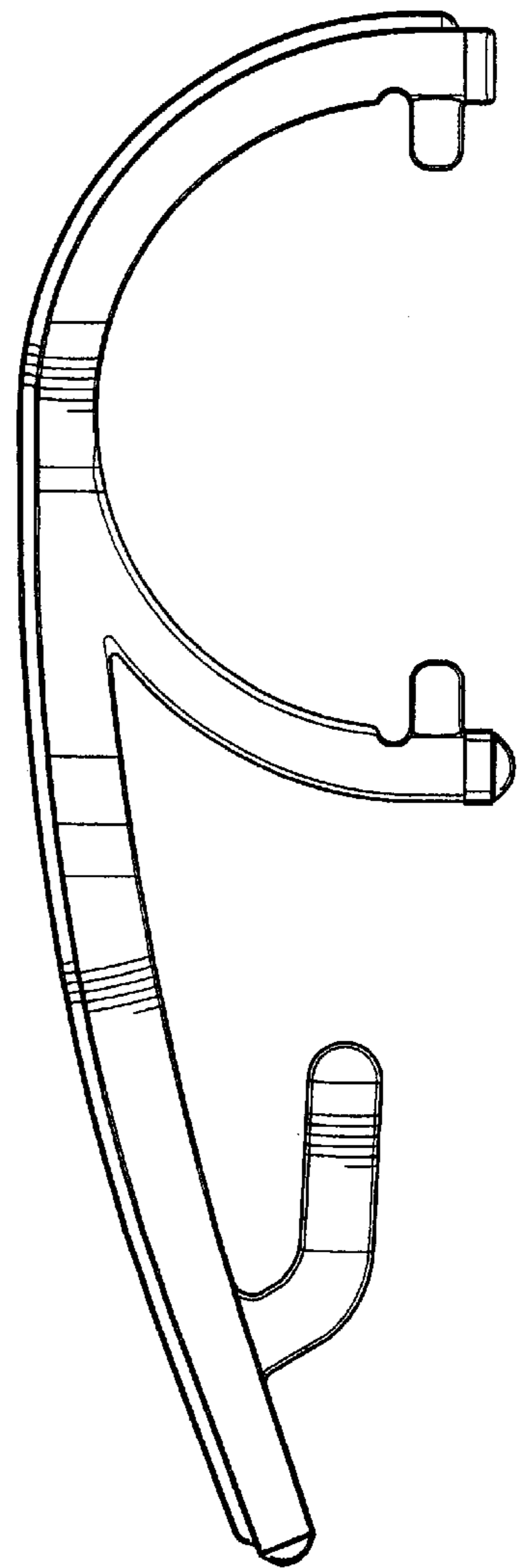


Fig-2

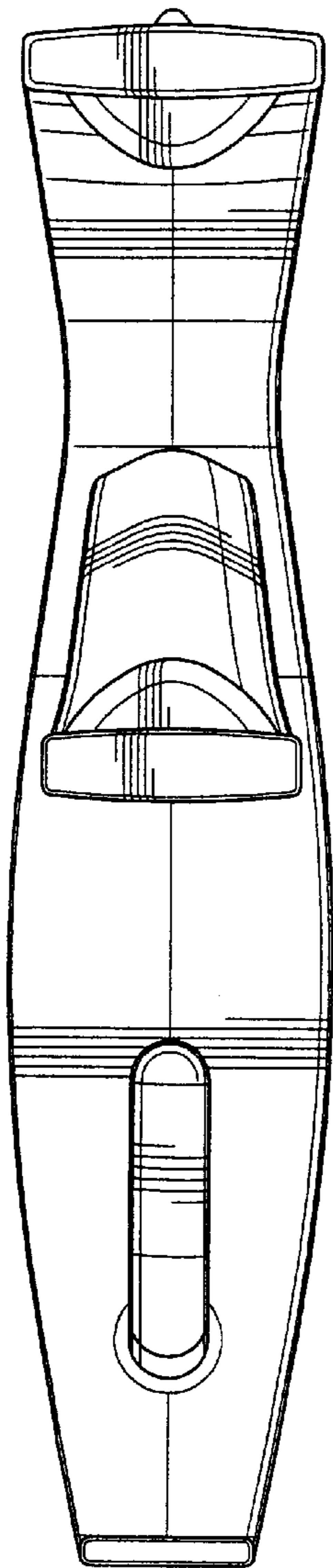


Fig-3

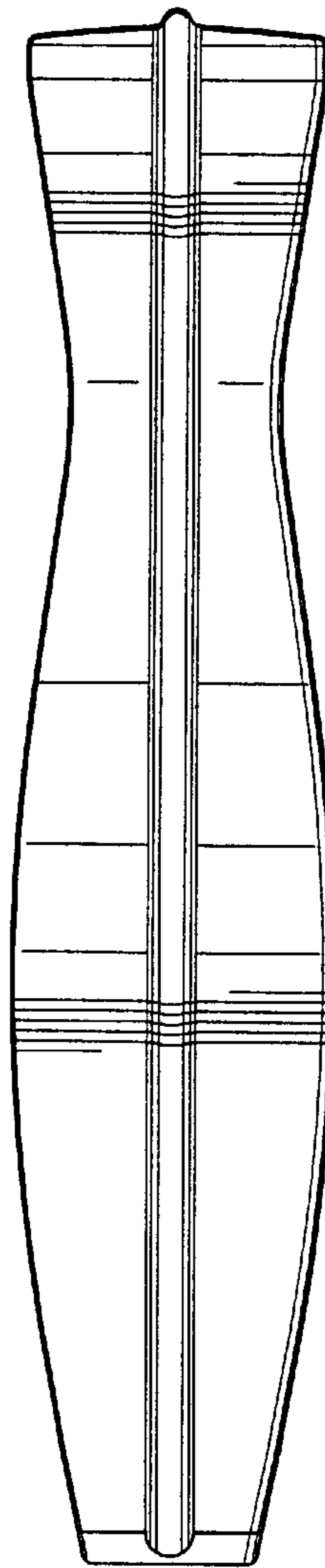


Fig-4

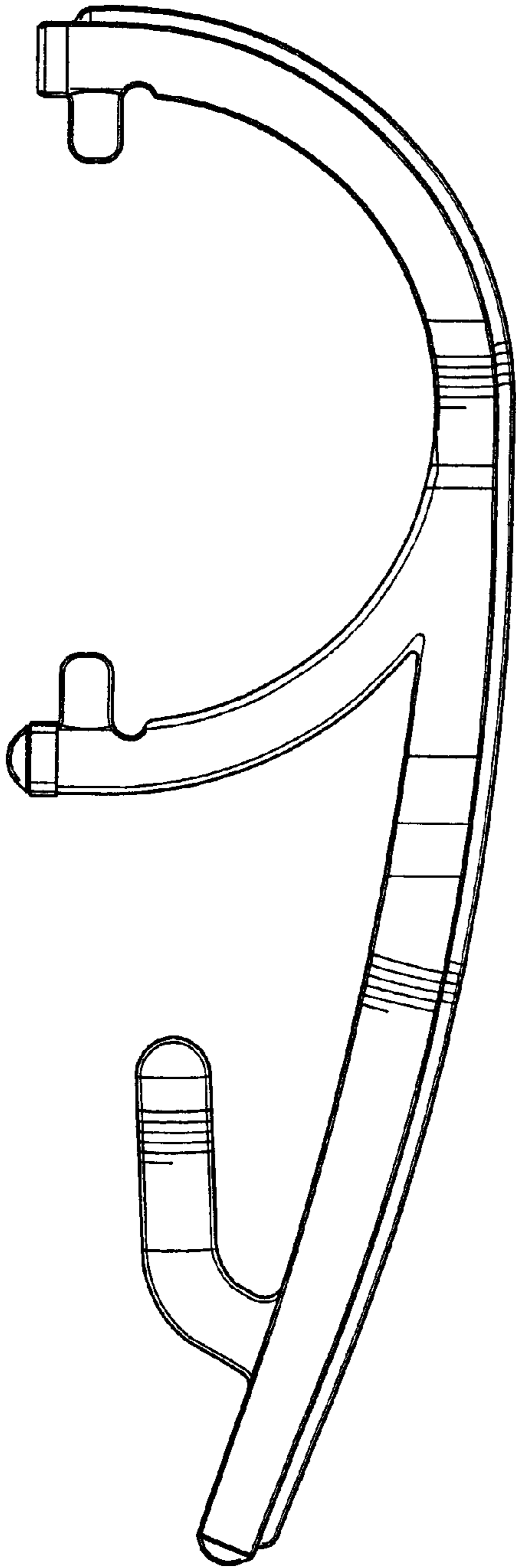


Fig-5

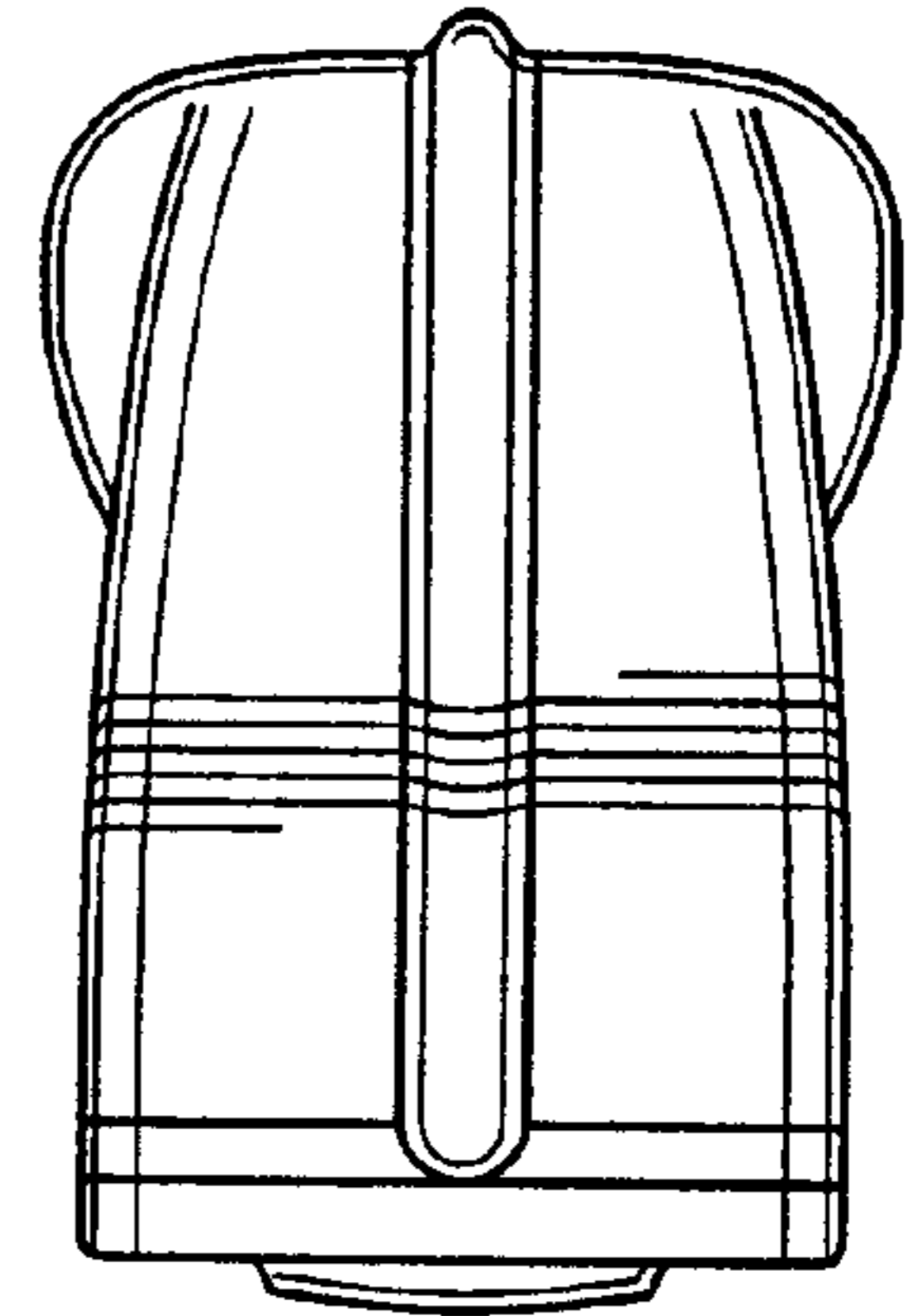


Fig-6

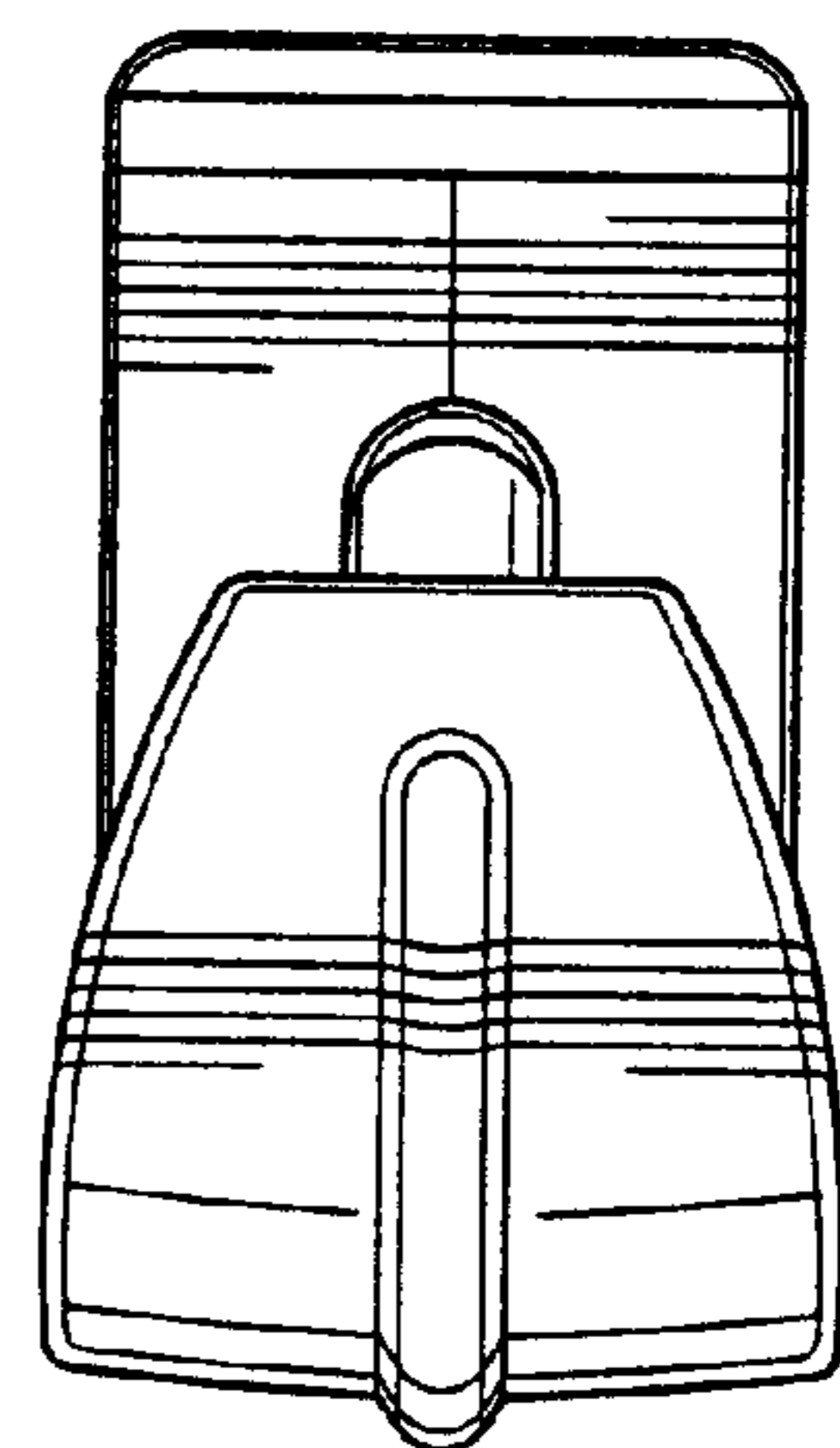


Fig-7