



US00D465994S

(12) **United States Design Patent**
Kelleghan

(10) **Patent No.:** **US D465,994 S**

(45) **Date of Patent:** **** Nov. 26, 2002**

(54) **CROWN SHAPED CARABINER**

OTHER PUBLICATIONS

- (75) Inventor: **Brian James Kelleghan**, Longmont, CO (US)
- (73) Assignee: **Bison Designs, L.L.C.**, Longmont, CO (US)
- (**) Term: **14 Years**

- U.S. patent application Ser. No. 29/127,750, Brian James Kelleghan, filed Aug. 11, 2000.
- U.S. patent application Ser. No. 29/128,297, Brian James Kelleghan, filed Aug. 22, 2000.
- U.S. patent application Ser. No. 29/135,353, Brian James Kelleghan, filed Jan. 10, 2001.
- U.S. patent application Ser. No. 29/154,974, Brian James Kelleghan, filed Feb. 1, 2002.

- (21) Appl. No.: **29/156,709**
- (22) Filed: **Mar. 5, 2002**

* cited by examiner

- (51) **LOC (7) Cl.** **08-05**
- (52) **U.S. Cl.** **D8/356**
- (58) **Field of Search** D2/71; D8/333, D8/356, 367, 370, 382; D11/48, 59, 99; 24/115 R, 582.13, 583.1, 583.11, 587.1, 588.11, 594.11, 598.1, 598.2, 599.1, 599.2, 599.5, 599.6, 599.7, 599.8, 599.9, 600.1, 600.3, 600.9; 248/925; 294/82.1, 82.14; 411/400; D1/106

Primary Examiner—Doris V. Coles
Assistant Examiner—Elizabeth A. Albert
 (74) *Attorney, Agent, or Firm*—Rick Martin; Patent Law Offices of Rick Martin PC

(57) **CLAIM**

The ornamental design for a crown shaped carabiner, as shown and described.

DESCRIPTION

(56) **References Cited**

U.S. PATENT DOCUMENTS

D206,949 S	*	2/1967	Kirchner	D11/59
5,329,675 A		7/1994	McLean et al.		
5,463,798 A		11/1995	Wurzer		
5,878,834 A		3/1999	Brainerd et al.		
D454,054 S		10/2000	Kelleghan		
D456,693 S		2/2001	Kelleghan		
D441,638 S		5/2001	Kelleghan		
D441,810 S	*	5/2001	Pate	D21/658
D447,680 S		9/2001	Kelleghan		
D447,932 S		9/2001	Kelleghan		
D447,933 S		9/2001	Kelleghan		
6,382,218 B1	*	5/2002	Cheng	132/275

FIG. 1 is a top plan view of my new design for a crown shaped carabiner, it being understood that the bottom view is identical;
 FIG. 2 is a front elevational view of the crown shaped carabiner shown in FIG. 1;
 FIG. 3 is a rear elevational view of the crown shaped carabiner shown in FIG. 1;
 FIG. 4 is a right side elevational view of the crown shaped carabiner shown in FIG. 1, the left side view being identical; and,
 FIG. 5 is a top perspective view of the crown shaped carabiner shown in FIG. 1.

1 Claim, 1 Drawing Sheet

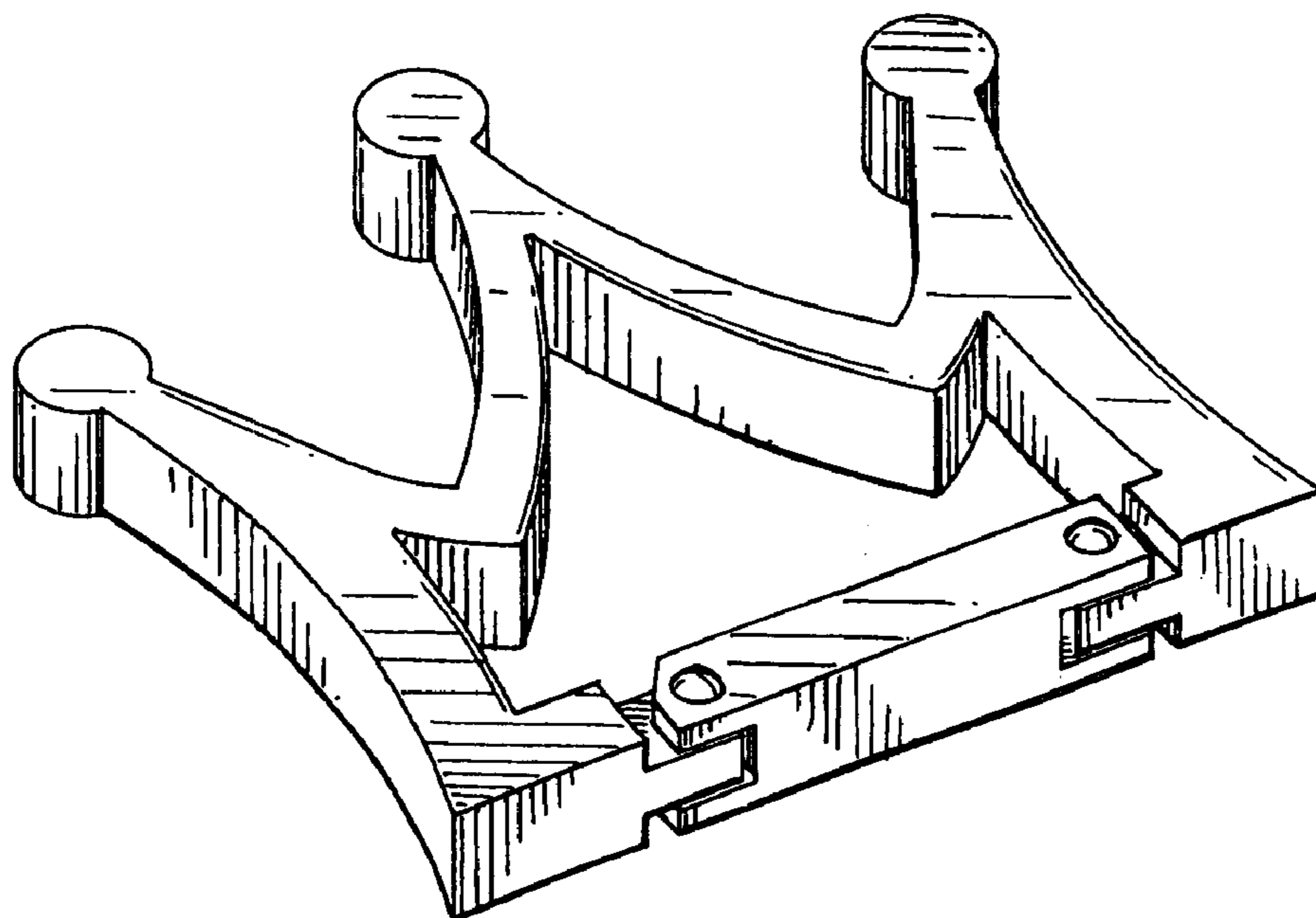




FIG. 2

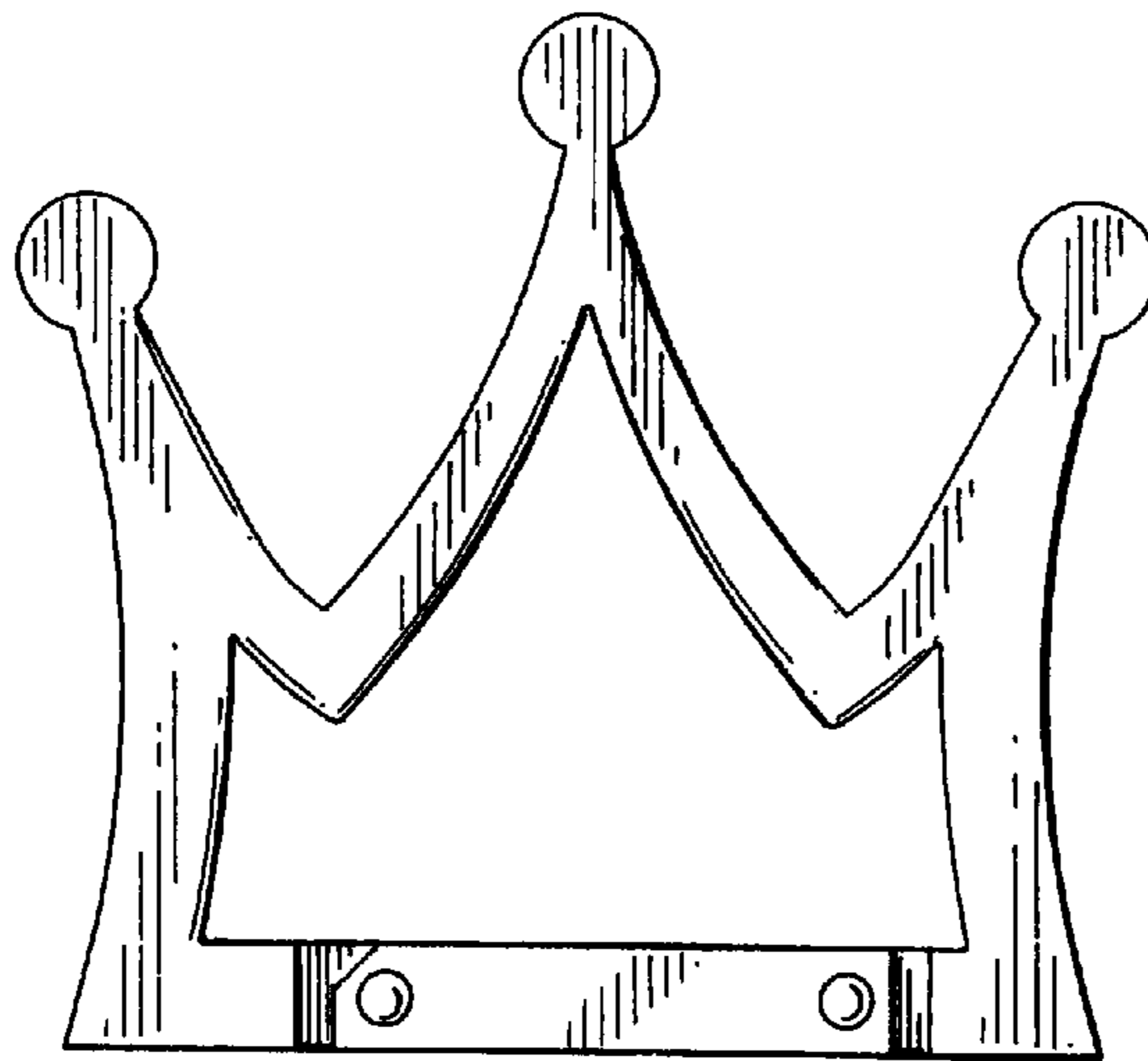


FIG. 1



FIG. 4

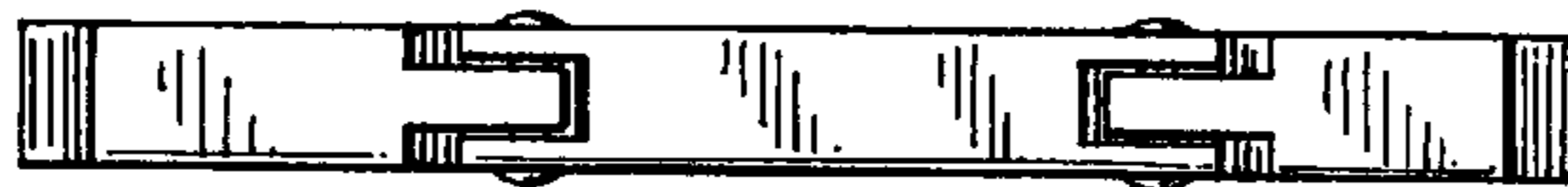


FIG. 3

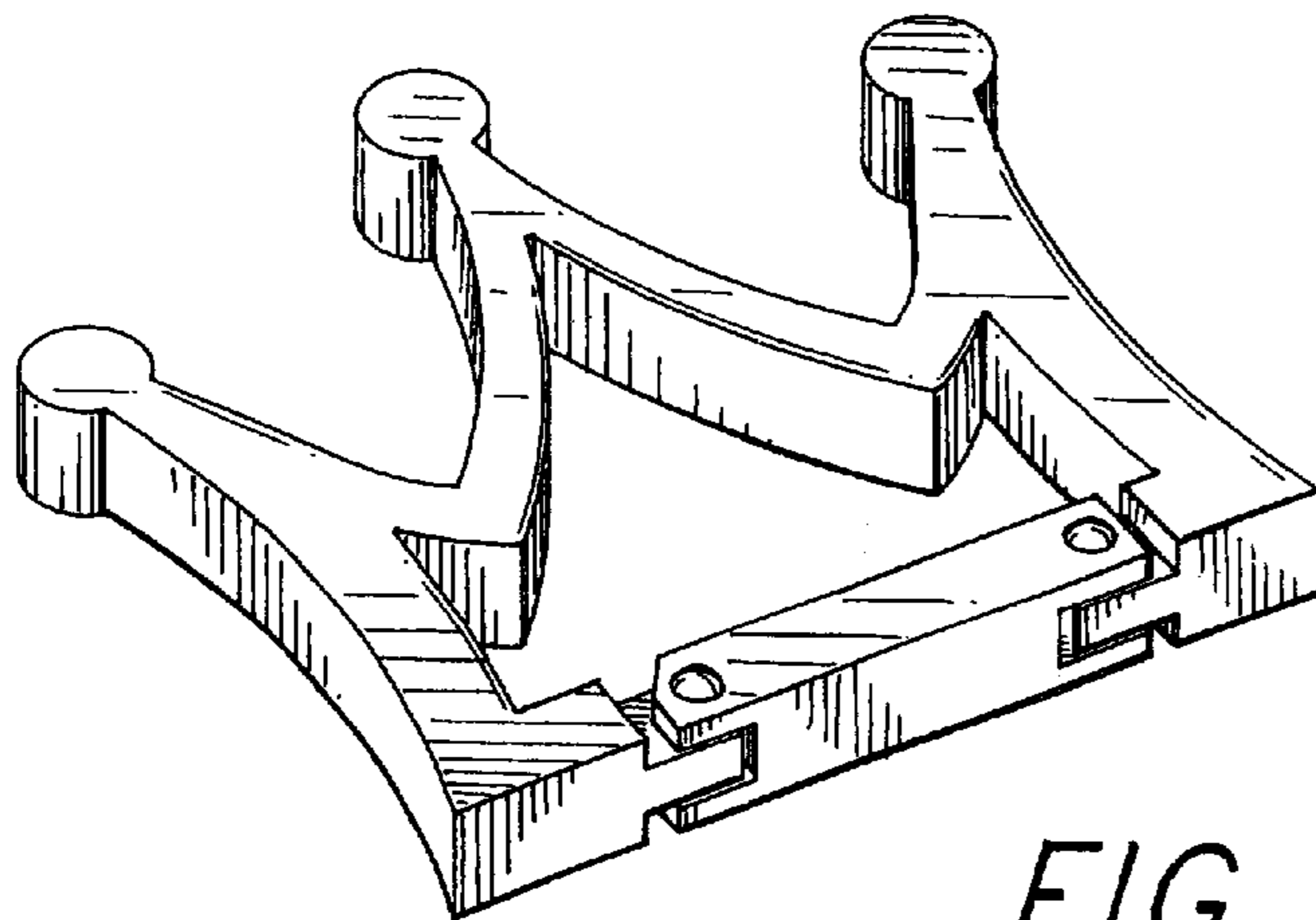


FIG. 5