



US00D465992S

(12) **United States Design Patent**
Sarig

(10) **Patent No.:** **US D465,992 S**

(45) **Date of Patent:** **** Nov. 26, 2002**

(54) **CLOSURE STRIP**

(75) **Inventor:** **Elan Sarig, Givatayim (IL)**

(73) **Assignee:** **Plasgad Plastic Products Agricultural Cooperative Ltd., Gadot (IL)**

(**) **Term:** **14 Years**

(21) **Appl. No.:** **29/146,348**

(22) **Filed:** **Aug. 9, 2001**

(51) **LOC (7) Cl. 08-05**

(52) **U.S. Cl. D8/354**

(58) **Field of Search** D8/349, 354, 355,
D8/373, 380, 394, 382; 52/92.1, 95, 198,
260, 302.6, 407.3, 478, 483.1, 537, 553,
DIG. 15; 277/649, 921; 428/182, 183, 184,
185, 186

(56) **References Cited**

U.S. PATENT DOCUMENTS

429,937	A	*	6/1890	Mitchell	52/537
1,616,968	A	*	2/1927	Hall	52/553
2,105,280	A	*	1/1938	Bass	52/553
2,853,330	A	*	9/1958	Harry	52/478
3,323,261	A	*	6/1967	Richardson	52/92.1
3,385,018	A	*	5/1968	Harry	277/649

4,017,090	A	*	4/1977	Cohen	277/921
4,027,447	A	*	6/1977	Granger et al.	52/DIG. 15
4,068,423	A	*	1/1978	Marsh	52/DIG. 15
4,401,705	A	*	8/1983	Ewert	52/DIG. 15
5,941,028	A	*	8/1999	Hicks	52/95

* cited by examiner

Primary Examiner—Doris V. Coles

Assistant Examiner—Elizabeth A. Albert

(74) *Attorney, Agent, or Firm*—Mark M. Friedman

(57) **CLAIM**

The ornamental design for a closure strip, as shown.

DESCRIPTION

FIG. 1 is a top view of a closure strip showing my new design;

FIG. 2 is a bottom view of the closure strip showing my new design;

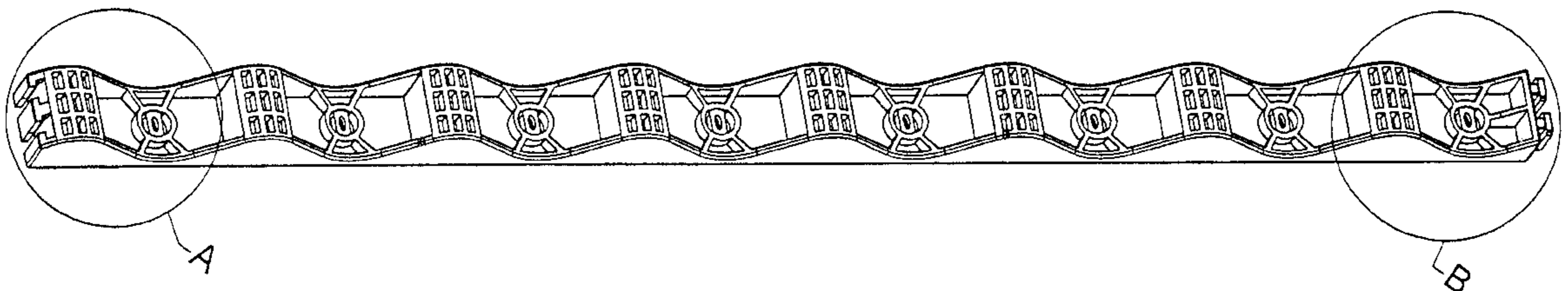
FIG. 3 is a side view of the closure strip showing my new design;

FIG. 4 is an isometric view of the closure strip showing my new design;

FIG. 5 is an enlarged fragmentary isometric view of the end of the closure strip within the circle A in FIG. 4; and,

FIG. 6 is an enlarged fragmentary isometric view of the end of the closure strip within the circle B in FIG. 4.

1 Claim, 5 Drawing Sheets



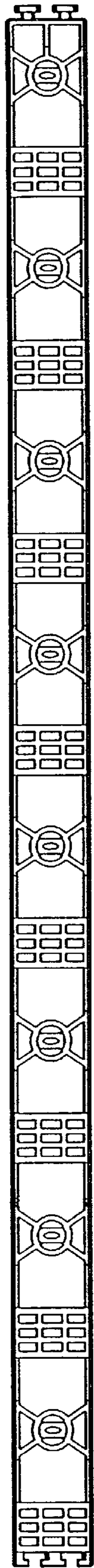


FIGURE 1

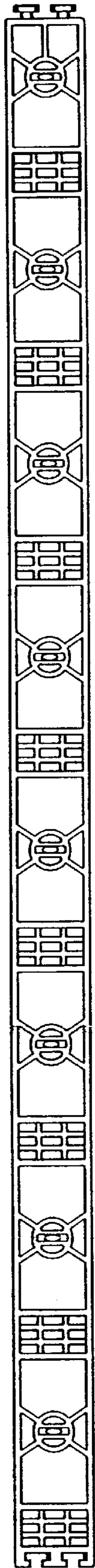


FIGURE 2

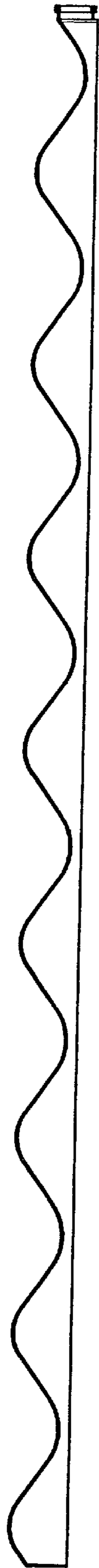


FIGURE 3

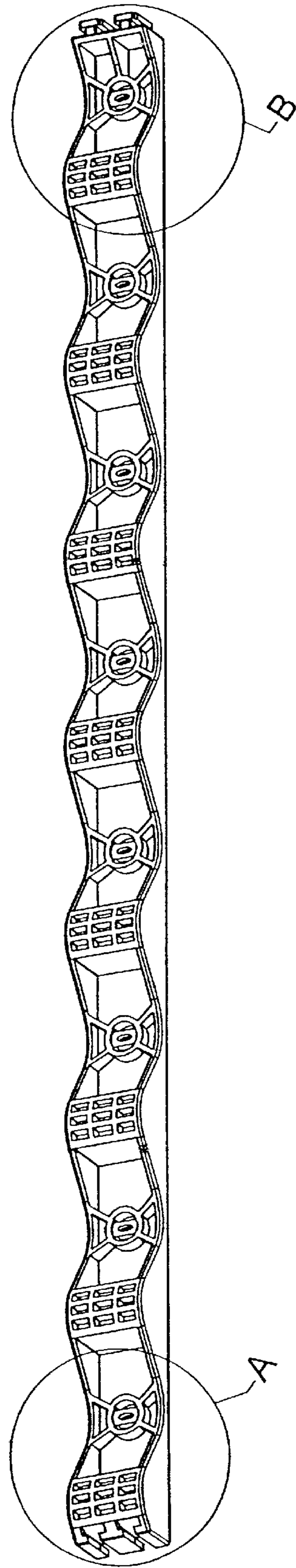


FIGURE 4

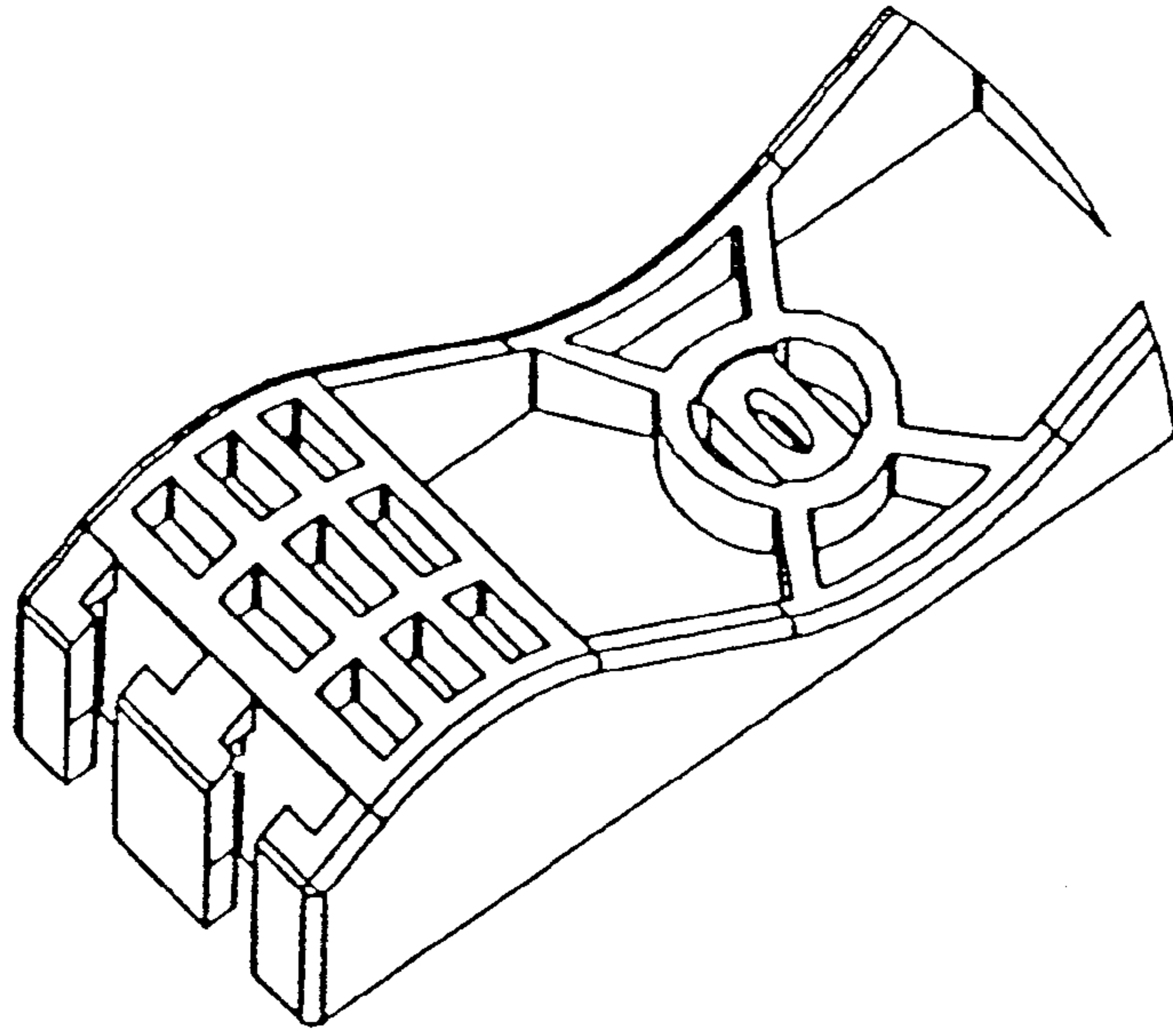


FIGURE 5

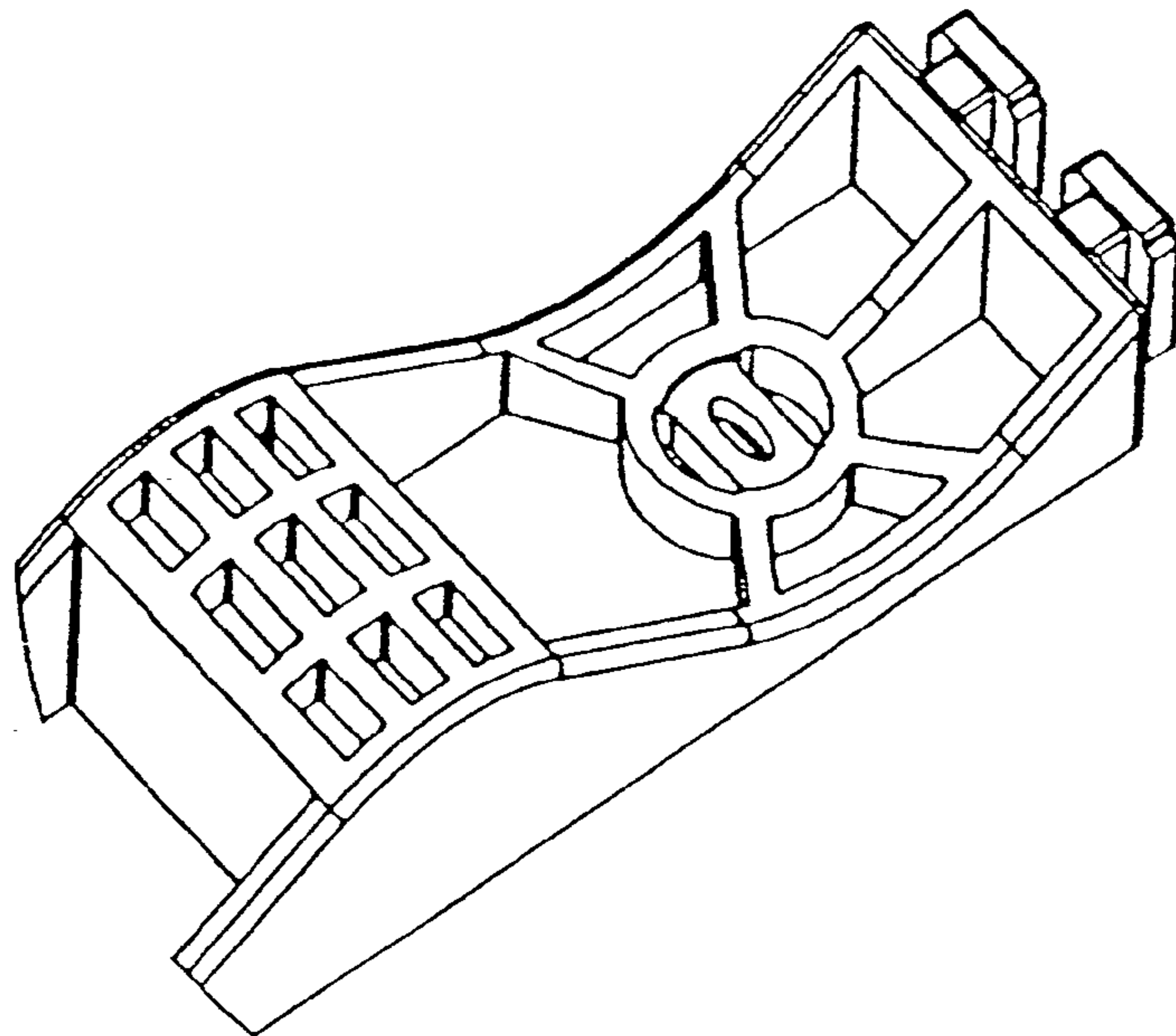


FIGURE 6