



US00D465989S

(12) **United States Design Patent**
Carsello et al.

(10) **Patent No.:** **US D465,989 S**

(45) **Date of Patent:** **** Nov. 26, 2002**

(54) **DEADBOLT**

(75) Inventors: **Anthony J. Carsello**, Chino Hills, CA (US); **Emily Meredith**, Brea, CA (US)

(73) Assignee: **Emhart LLC**, Newark, DE (US)

(**) Term: **14 Years**

(21) Appl. No.: **29/142,152**

(22) Filed: **May 18, 2001**

(51) **LOC (7) Cl.** **11-05**

(52) **U.S. Cl.** **D8/352**

(58) **Field of Search** D8/350-353, 330,
D8/331, 343, 346; 70/449, 450, 452; 16/402;
292/347, 357

4,598,563 A	7/1986	Berkowitz	
4,648,255 A	3/1987	Gartner	
D302,103 S	7/1989	Halsted et al.	
4,953,374 A	9/1990	Wiebe	
4,961,328 A	10/1990	Mundhenke	
5,040,393 A	8/1991	Rossebo	
5,216,910 A	6/1993	Lin	
5,295,279 A	3/1994	Cooper	
D349,037 S	7/1994	Carsello	
D364,548 S	* 11/1995	Platt	D8/331
D373,523 S	9/1996	Carsello	
5,881,585 A	* 3/1999	Kang	70/452
D411,732 S	6/1999	Chamberlain	
6,079,240 A	6/2000	Shvarts	

* cited by examiner

Primary Examiner—B. J. Bullock

(74) *Attorney, Agent, or Firm*—Richard J. Veltman; John D. Del Ponti

(56) **References Cited**

U.S. PATENT DOCUMENTS

1,434,947 A	11/1922	Freysinger	
1,723,126 A	8/1929	Best	
1,789,171 A	1/1931	Manrique et al.	
2,563,950 A	* 8/1951	Martin	70/452
3,130,573 A	4/1964	Hines	
3,628,356 A	* 12/1971	Deahl	70/449
3,821,886 A	7/1974	Ladewig	
4,005,890 A	2/1977	Murch	
4,008,588 A	2/1977	Miller et al.	
4,014,573 A	3/1977	Lehnhoff	
4,065,162 A	12/1977	Schlage	
4,068,510 A	1/1978	Neary	
4,122,695 A	10/1978	Hall	
D260,360 S	* 8/1981	Meisner	D8/352
4,362,035 A	12/1982	Vitale	
4,489,577 A	* 12/1984	Crepinsek	70/452
4,512,165 A	4/1985	Uyeda	

(57) **CLAIM**

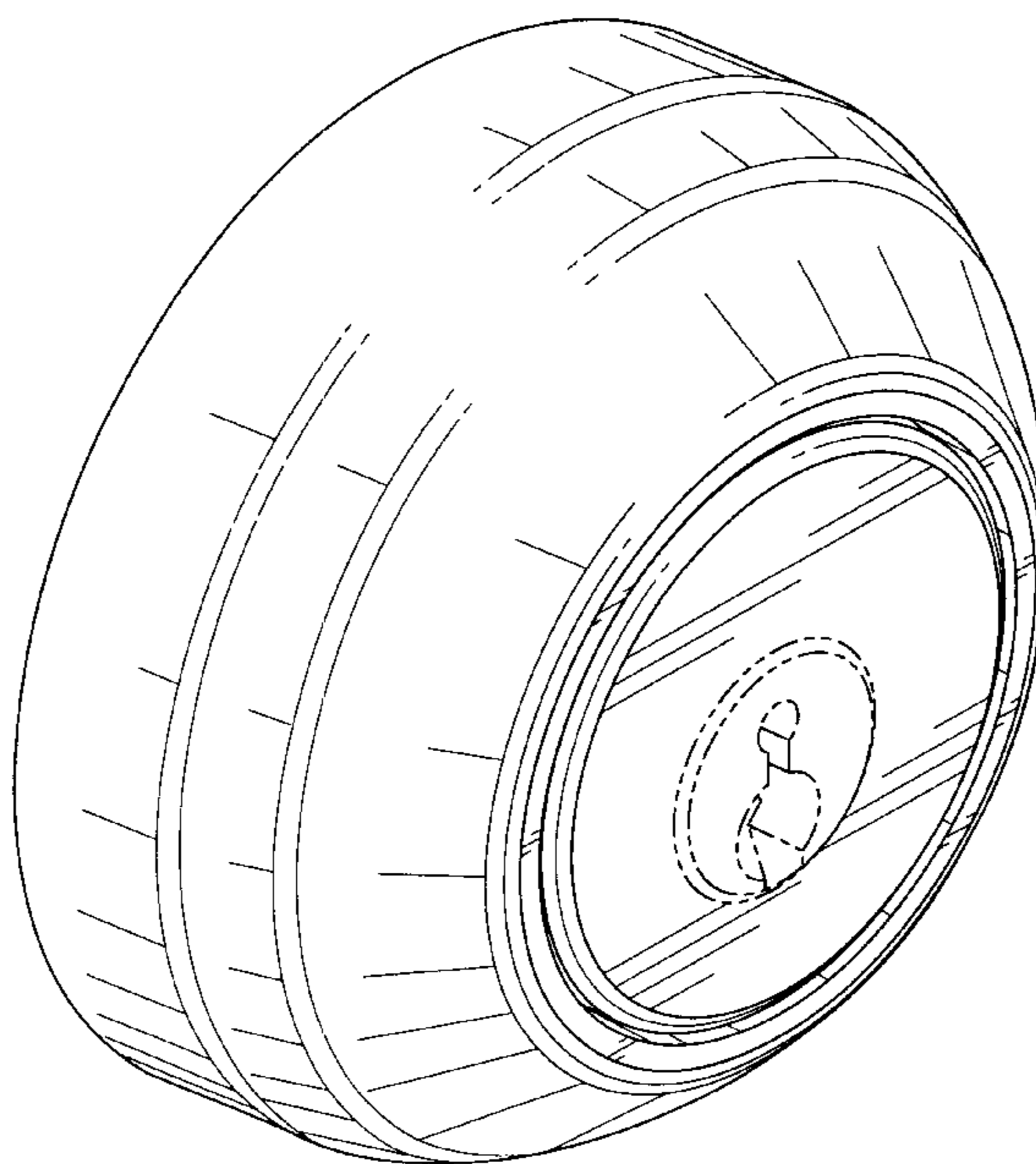
The ornamental design for a deadbolt, as shown and described.

DESCRIPTION

FIG. 1 is a perspective view of the new design for a deadbolt;
FIG. 2 is a side elevational view of the new design for a deadbolt;
FIG. 3 is a front elevational view of the new design for a deadbolt; and,
FIG. 4 is a rear elevational view of the new design for a deadbolt.

The broken lines are for illustrative purposes only and form no part of the claimed design.

1 Claim, 2 Drawing Sheets



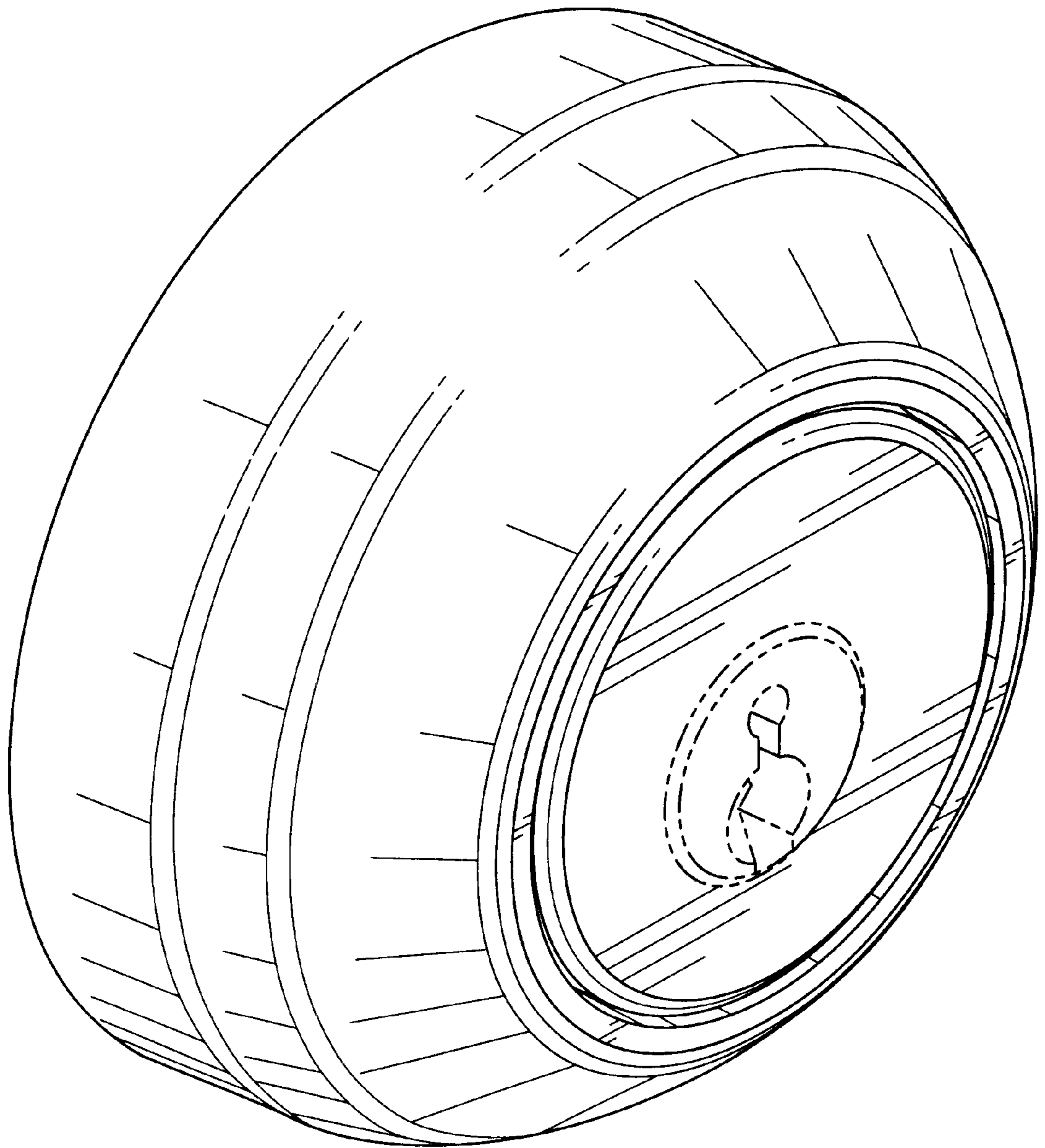


FIG. 1

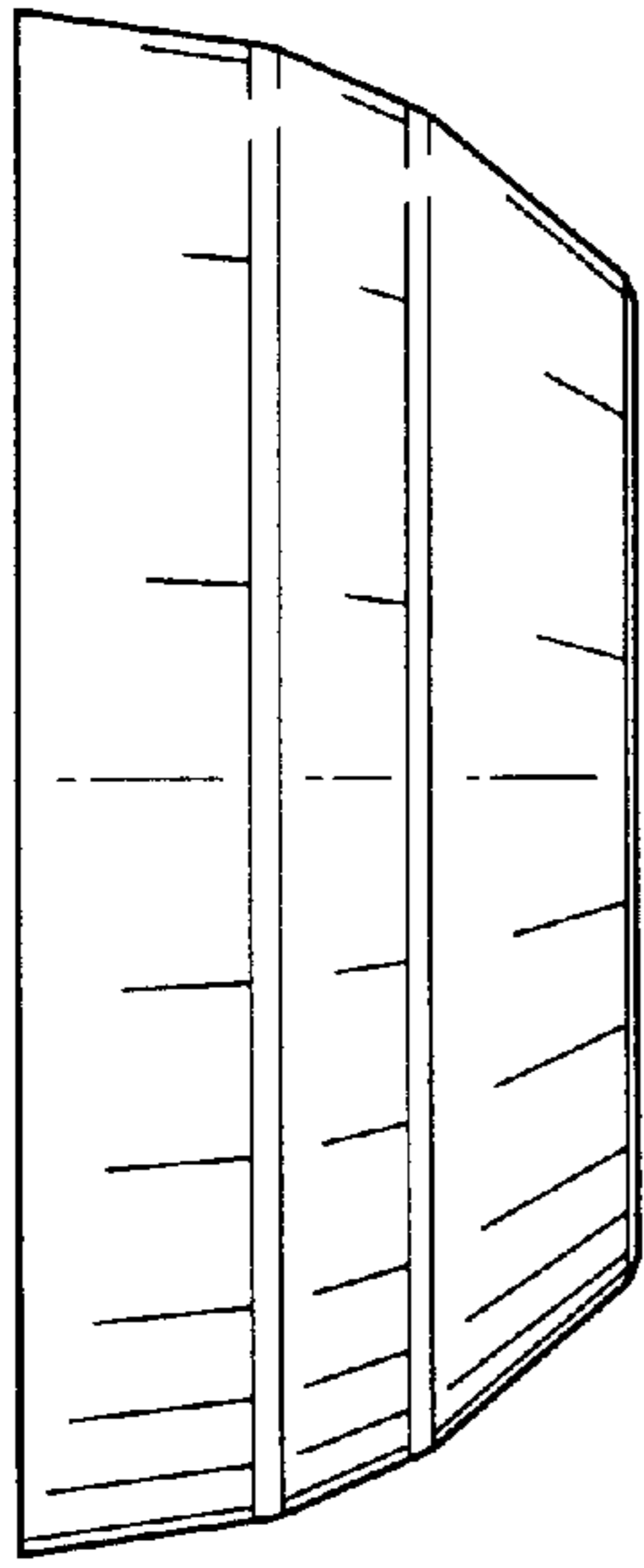


FIG. 2

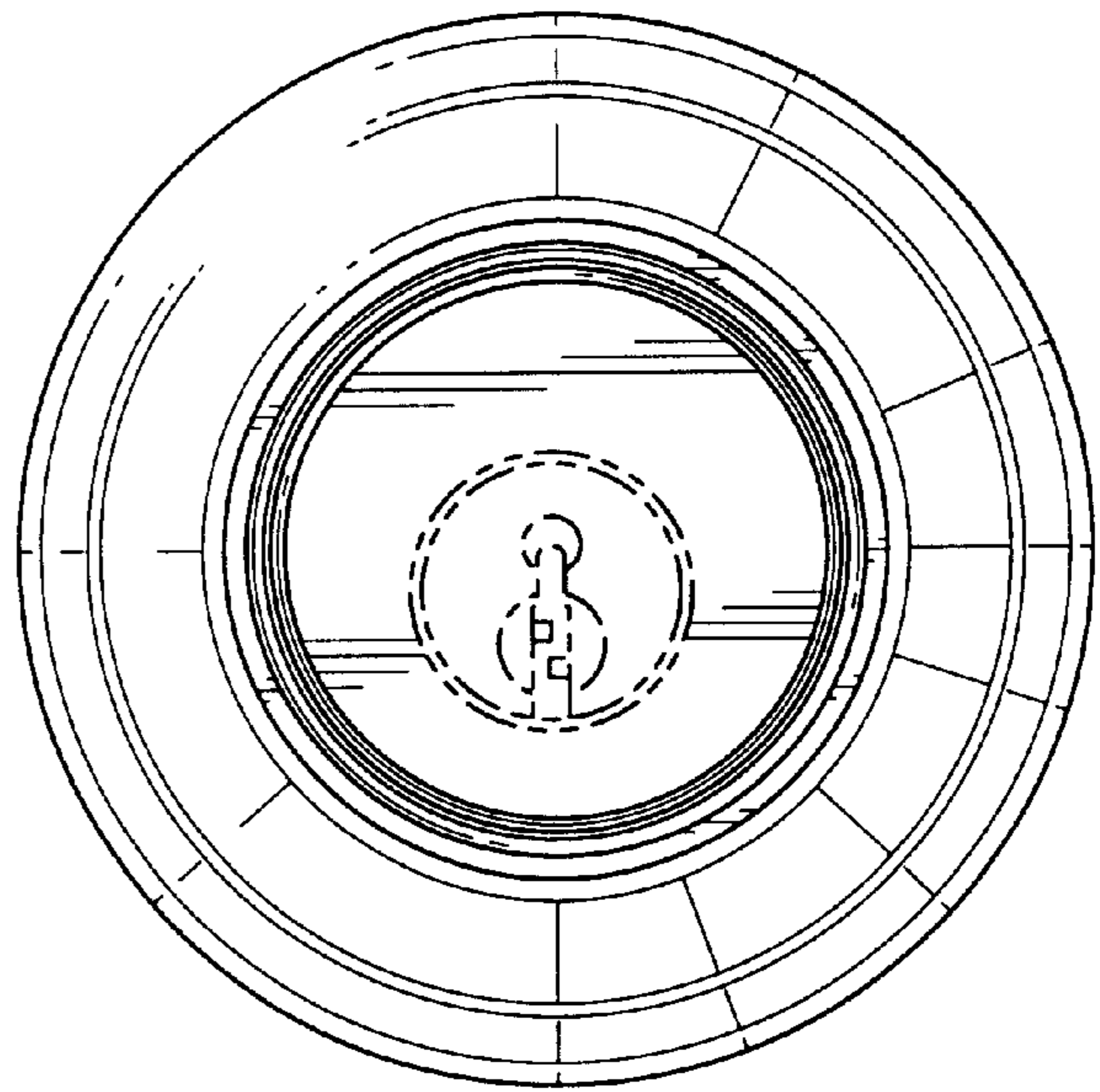


FIG. 3

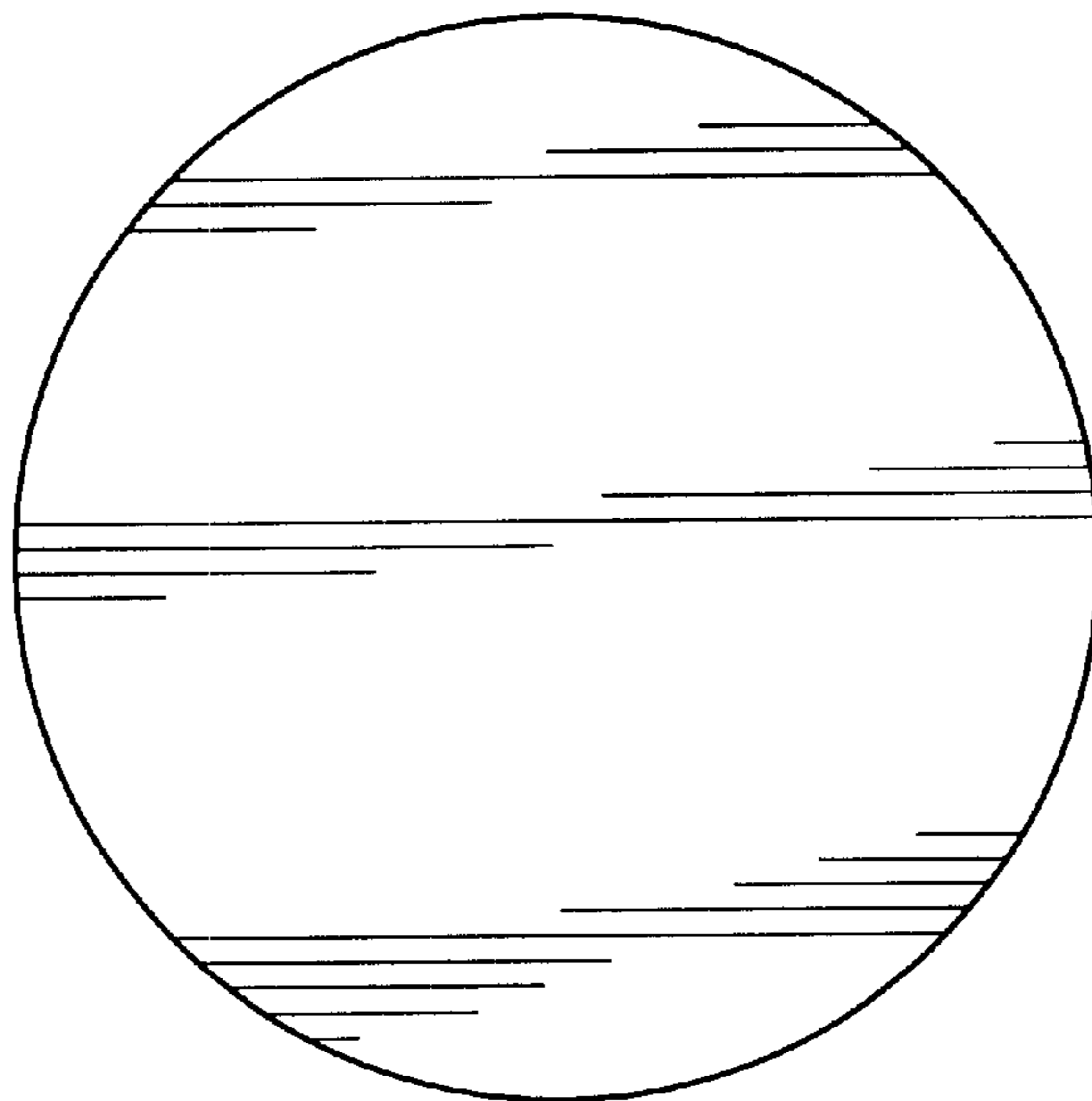


FIG. 4