



US00D465983S

(12) **United States Design Patent**  
**Yoshida et al.**

(10) **Patent No.:** **US D465,983 S**

(45) **Date of Patent:** **\*\* Nov. 26, 2002**

(54) **CHUCKING FLANGE FOR GRINDER DISK**

(75) Inventors: **Kazuaki Yoshida, Tokyo (JP); Hitoshi Kishimoto, Saitama (JP)**

(73) Assignee: **Chuken Kogyo Kabushiki Kaisha, Noda (JP)**

(\*\*) Term: **14 Years**

(21) Appl. No.: **29/128,107**

(22) Filed: **Aug. 15, 2000**

(30) **Foreign Application Priority Data**

May 29, 2000 (JP) ..... 2000-014135

(51) **LOC (7) Cl.** ..... **08-01**

(52) **U.S. Cl.** ..... **D8/70**

(58) **Field of Search** ..... D8/20, 61, 62, D8/63, 70; D15/126, 138, 139; 30/347, 355, 388, 389, 390; 51/296; 81/180.1; 83/663, 676, 835; 125/15, 18; 451/259, 359, 420, 490, 510, 540, 541, 542, 548, 550

(56) **References Cited**

**U.S. PATENT DOCUMENTS**

D4,059 S	*	5/1870	Frazier	.....	D15/126
D23,323 S	*	5/1894	Bender	.....	D15/126
D32,220 S	*	2/1900	Davis	.....	D15/126
2,206,355 A	*	7/1940	Hubbard	.....	D15/126
2,307,312 A	*	1/1943	Whiting	.....	D15/126
2,343,709 A	*	3/1944	Rudaitis	.....	D15/139
3,290,834 A	*	12/1966	Lindblad	.....	451/541
3,333,371 A	*	8/1967	Pratt et al.	.....	D8/62
D228,464 S	*	9/1973	Liechti	.....	D15/126
4,075,919 A	*	2/1978	Komura et al.	.....	83/676
4,258,593 A	*	3/1981	Oinonen	.....	83/835
4,295,274 A	*	10/1981	Bricher et al.	.....	30/347

4,439,907 A	*	4/1984	Block et al.	.....	451/490
D284,969 S	*	8/1986	Olovsson	.....	D15/126
4,850,407 A	*	7/1989	Inkster et al.	.....	83/835
4,979,336 A	*	12/1990	MacKay, Jr.	.....	451/548
D319,565 S	*	9/1991	Krogsgaard	.....	D15/138
D421,029 S	*	2/2000	Cha	.....	D8/70
D437,540 S	*	2/2001	Suzuki	.....	D8/70

**OTHER PUBLICATIONS**

Segmented-type cup grinding wheels, K-Prix Quality diamond tools, Dongil Industries Co., Ltd.\*

Catalogue: "Abrasive Finishing Products" published by Garyson-Insley Limited in Jul. 1995.

\* cited by examiner

*Primary Examiner*—Doris V. Coles

*Assistant Examiner*—T. Chase Nelson

(74) *Attorney, Agent, or Firm*—Jordan and Hamburg LLP

(57) **CLAIM**

The ornamental design for a chucking flange for grinder disk, as shown and described.

**DESCRIPTION**

FIG. 1 is a top plan view of a chucking flange for grinder disk showing our new design;

FIG. 2 is a front elevational view thereof;

FIG. 3 is a right side elevational view thereof;

FIG. 4 is a bottom plan view thereof;

FIG. 5 is a cross-sectional view along line 5—5 in FIG. 1; and,

FIG. 6 is a perspective view thereof.

A rear elevational view is identical to the front elevational view.

A left side elevational view is identical to the right side elevational view.

**1 Claim, 3 Drawing Sheets**

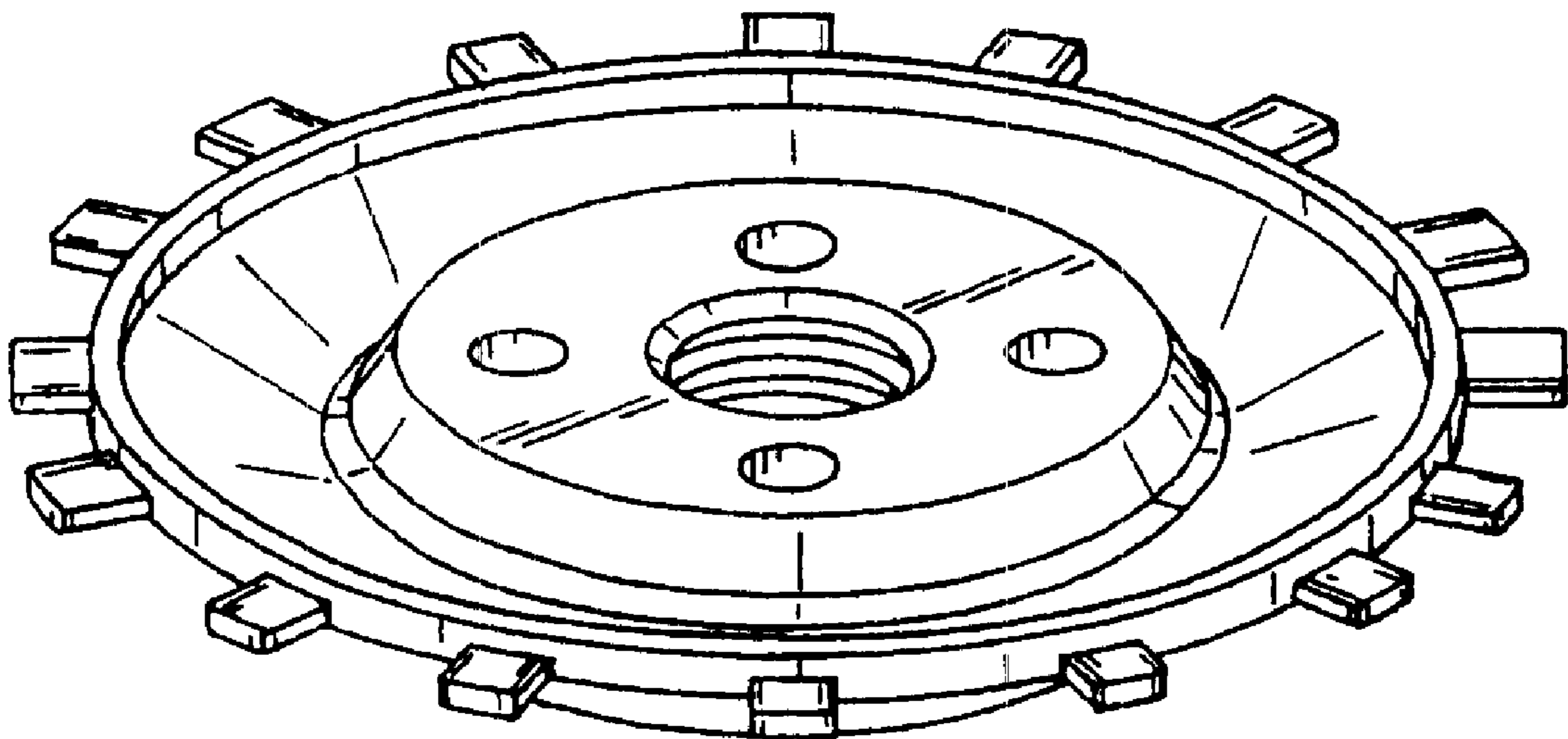


FIG.1

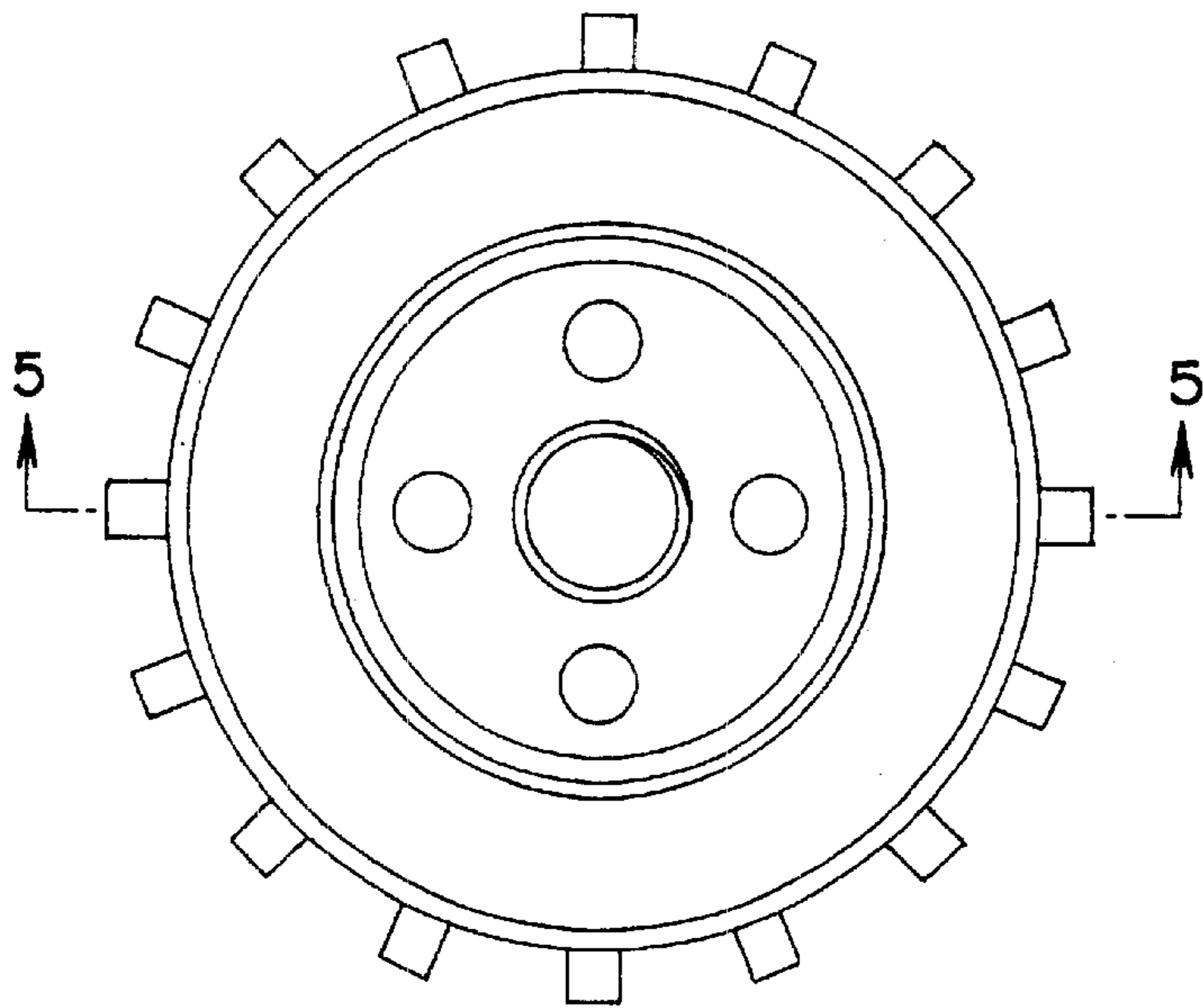


FIG.2

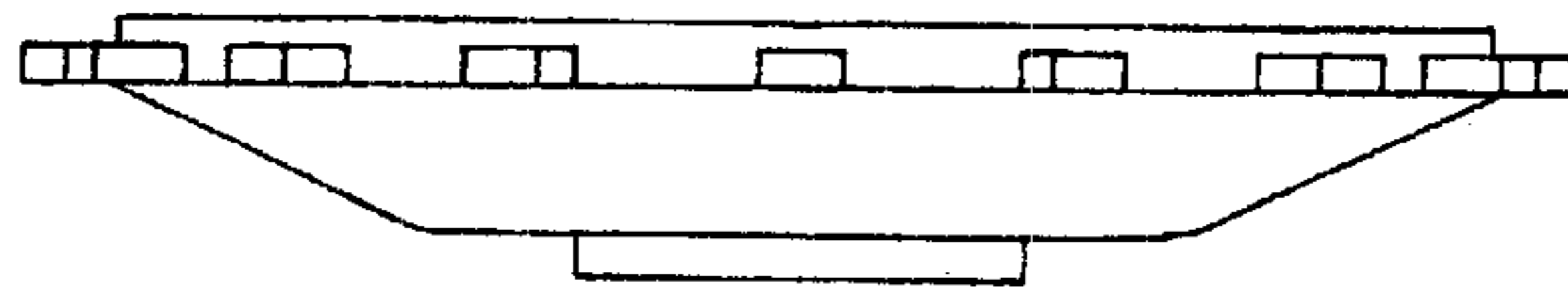


FIG.3

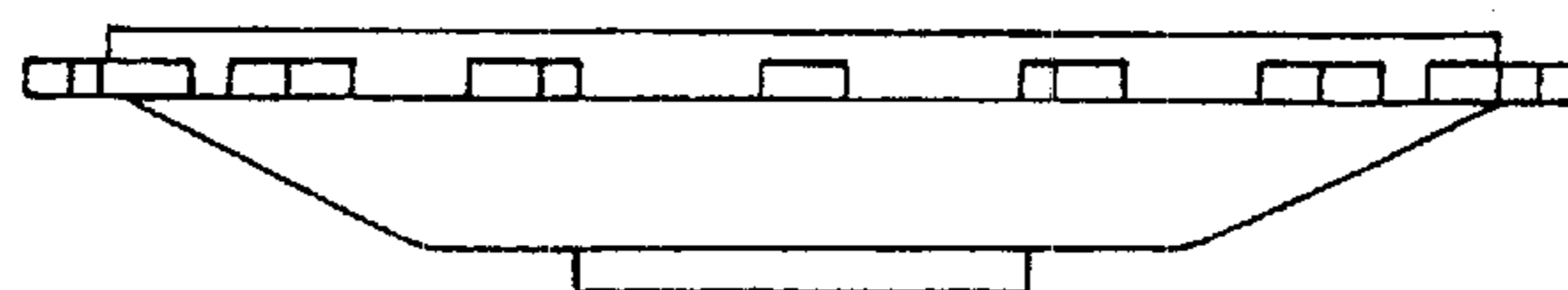


FIG.4

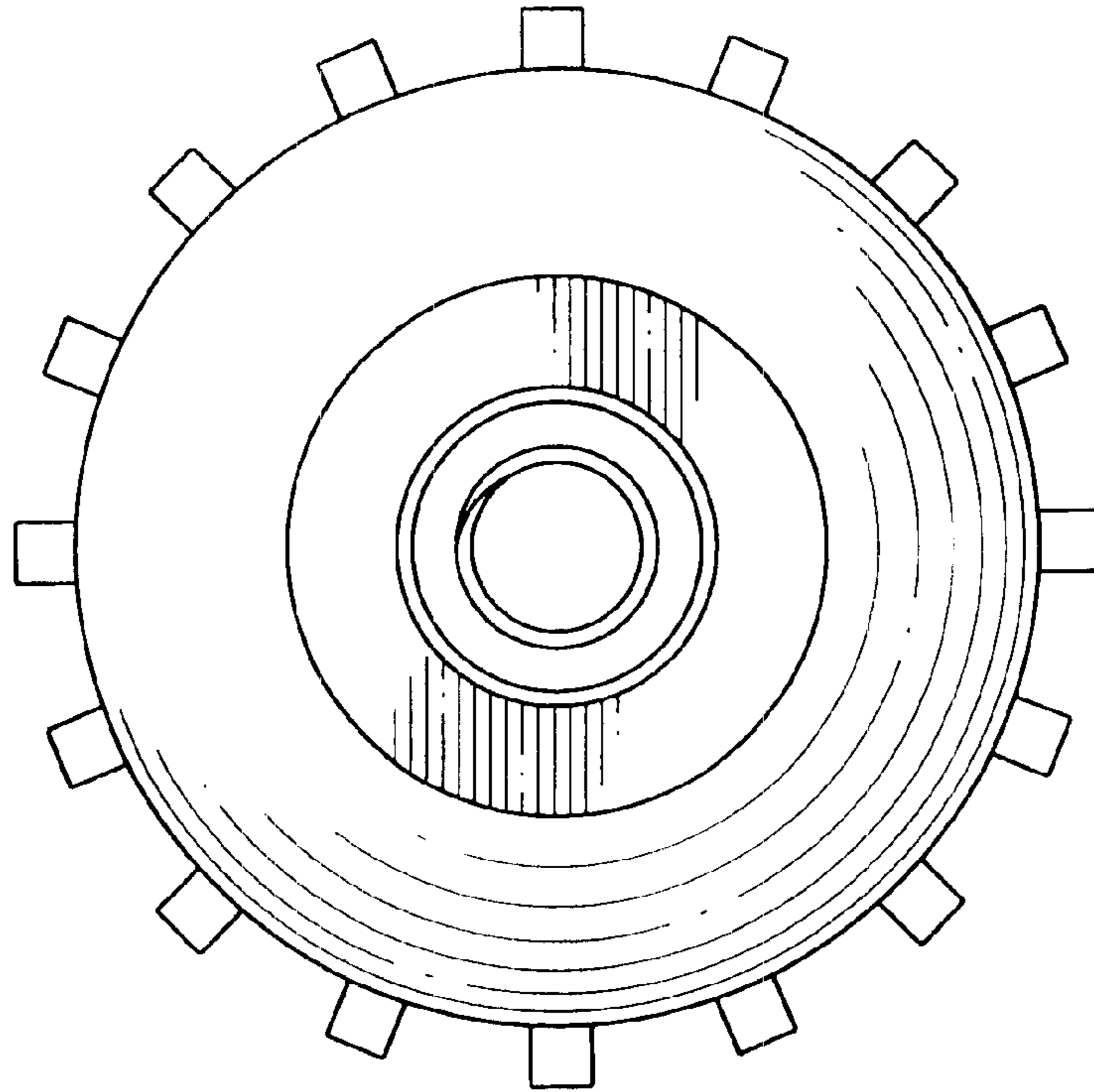


FIG.5

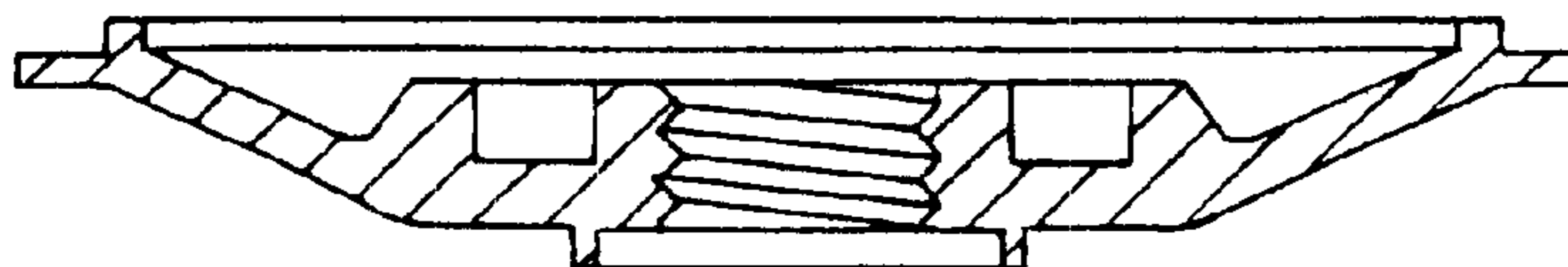


FIG. 6

