



US00D465981S

(12) **United States Design Patent**  
**Bass et al.**

(10) **Patent No.:** **US D465,981 S**

(45) **Date of Patent:** **\*\* Nov. 26, 2002**

(54) **DIE GRINDER**

(75) Inventors: **Gary S. Bass**, Independence, KY (US);  
**Christopher E. Martini**,  
Lawrenceburg, IN (US)

(73) Assignee: **Campbell Hausfeld/Scott Fetzer**  
**Company**, Harrison, OH (US)

(\*\*) Term: **14 Years**

(21) Appl. No.: **29/158,912**

(22) Filed: **Apr. 12, 2002**

(51) **LOC (7) Cl.** ..... **08-01**

(52) **U.S. Cl.** ..... **D8/62**

(58) **Field of Search** ..... D8/25, 30, 61,  
D8/62, 82, DIG. 7; 81/54, 57.11, 57.12,  
57.13, 57.14, 57.29, 57.31, 57.39, 57.42,  
63.1, 177.1, 177.4, 429, 469, 474; 173/169,  
170, 182, 216, 217; 310/47, 50; 362/116,  
120

(56) **References Cited**

**U.S. PATENT DOCUMENTS**

D269,847 S \* 7/1983 Izumisawa ..... D8/62

4,791,836 A \* 12/1988 D'Haem et al. .... 81/57.13

D338,144 S \* 8/1993 Albert et al. .... D8/61

D446,433 S \* 8/2001 Bass et al. .... D8/62

\* cited by examiner

*Primary Examiner*—Doris V. Coles

*Assistant Examiner*—Elizabeth A. Albert

(74) *Attorney, Agent, or Firm*—Jones, Day, Reavis &  
Pogue

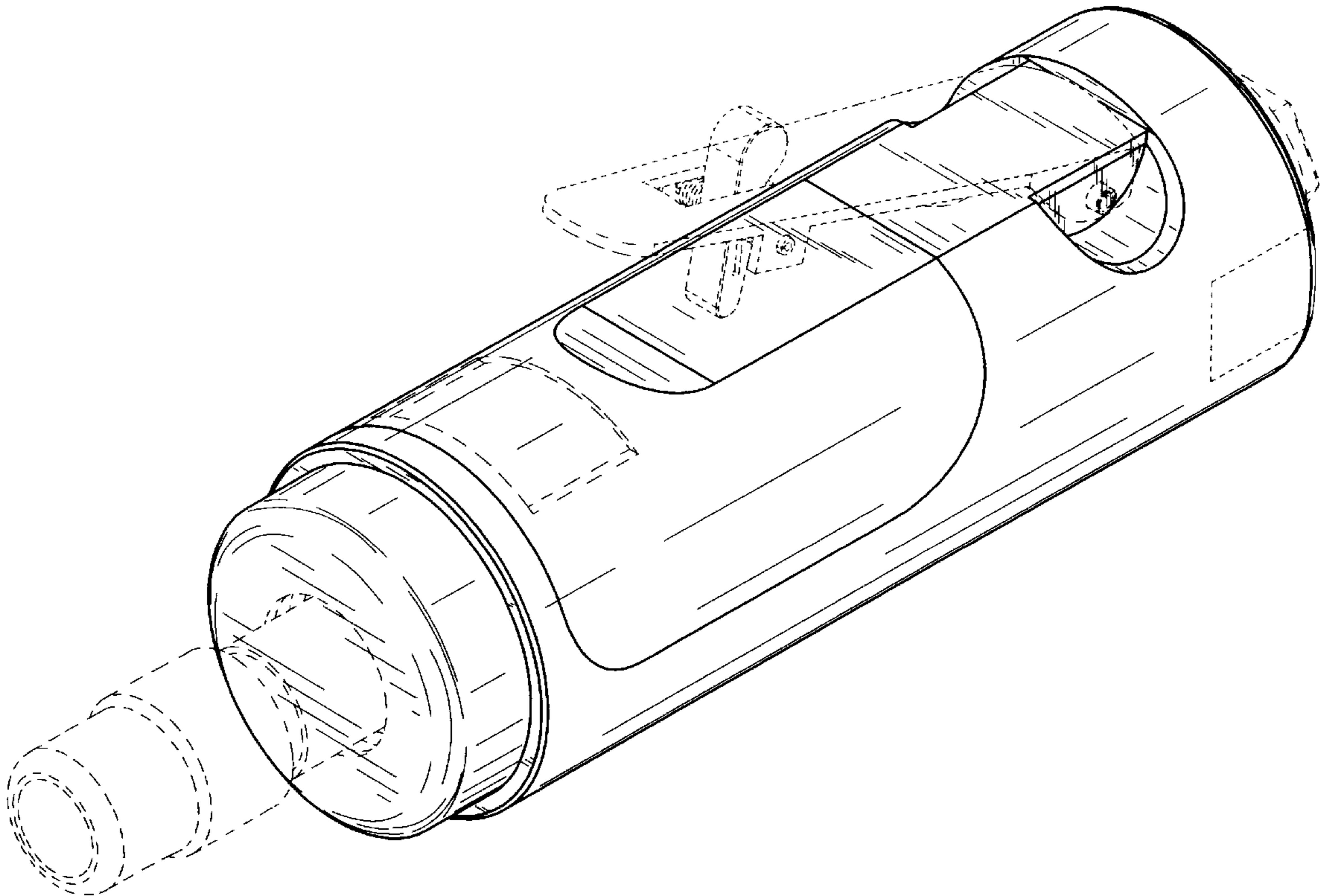
(57) **CLAIM**

We claim the ornamental design for a die grinder, as shown  
and described.

**DESCRIPTION**

FIG. 1 is a perspective view of a die grinder embodying the  
ornamental design of the present invention;  
FIG. 2 is a side view of the die grinder of FIG. 1, the  
opposite side view being a mirror image;  
FIG. 3 is a top view of the die grinder of FIG. 1;  
FIG. 4 is a bottom view of the die grinder of FIG. 1;  
FIG. 5 is a front view of the die grinder of FIG. 1; and,  
FIG. 6 is a rear view of the die grinder of FIG. 1.  
The broken line showings of FIGS. 1–6 are for illustrative  
purposes only and form no part of the claimed design.

**1 Claim, 3 Drawing Sheets**



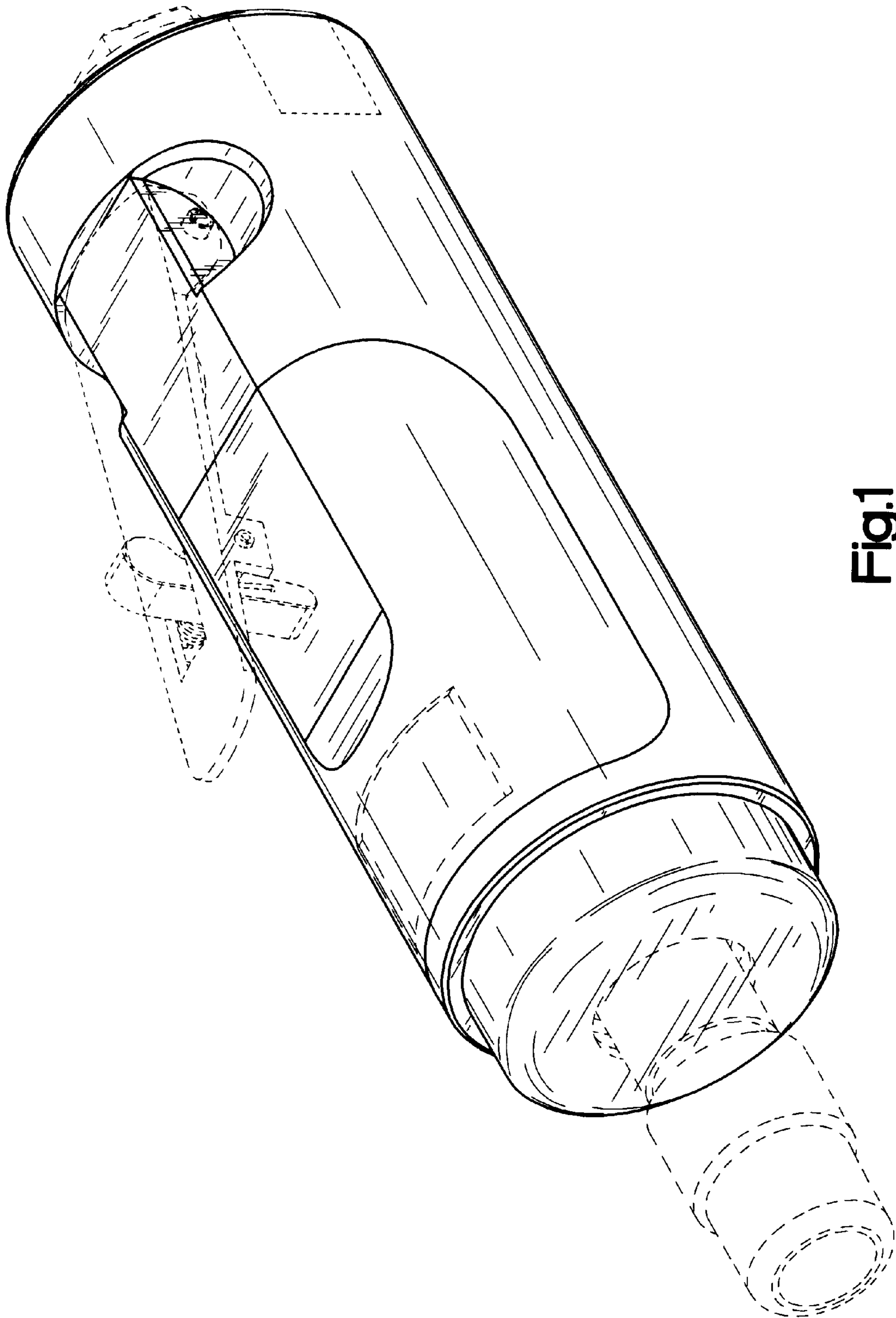


Fig.1

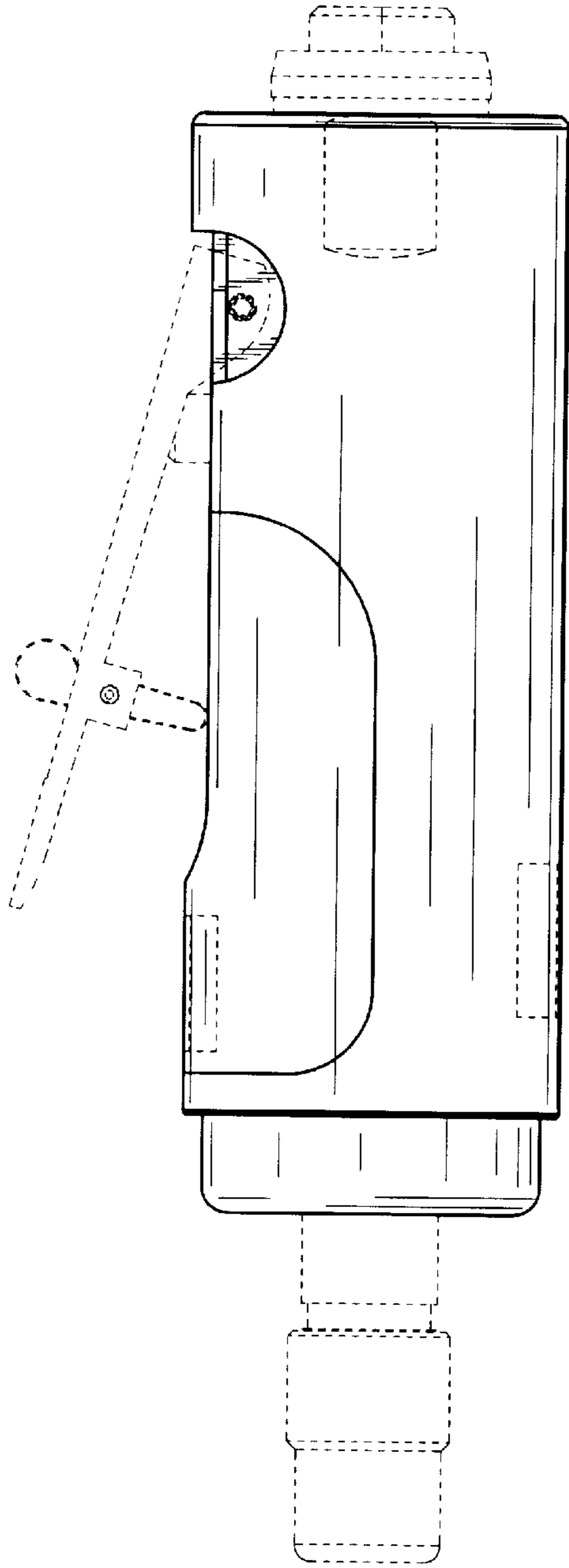


Fig.2

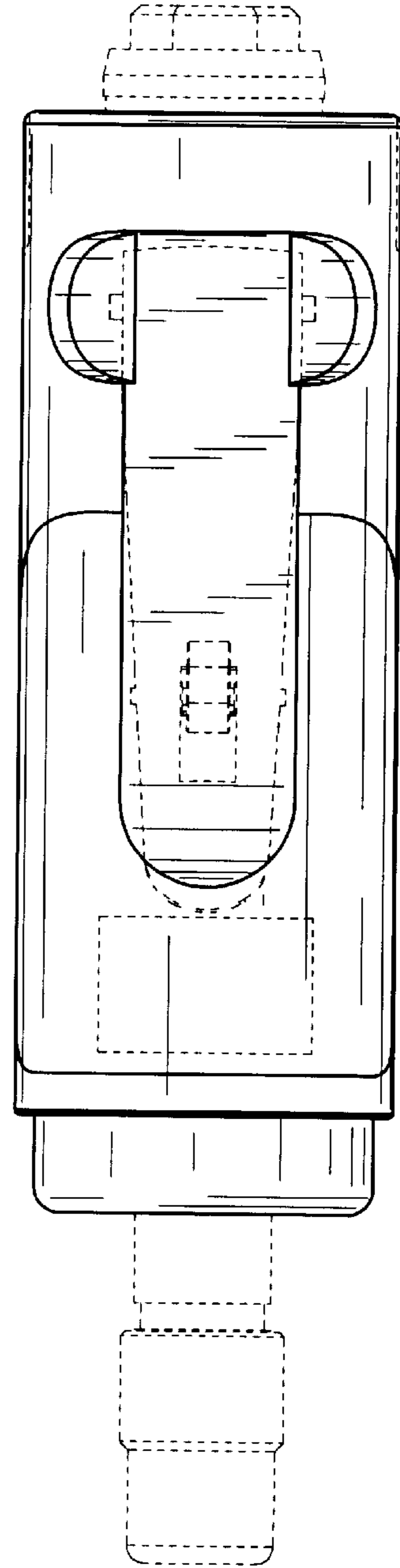


Fig.3

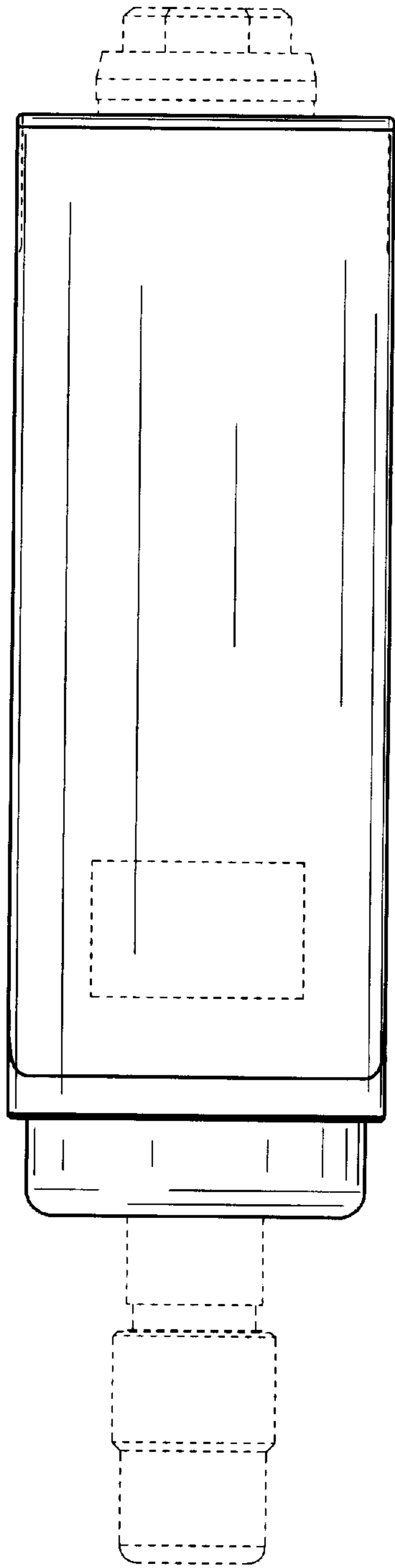


Fig.4

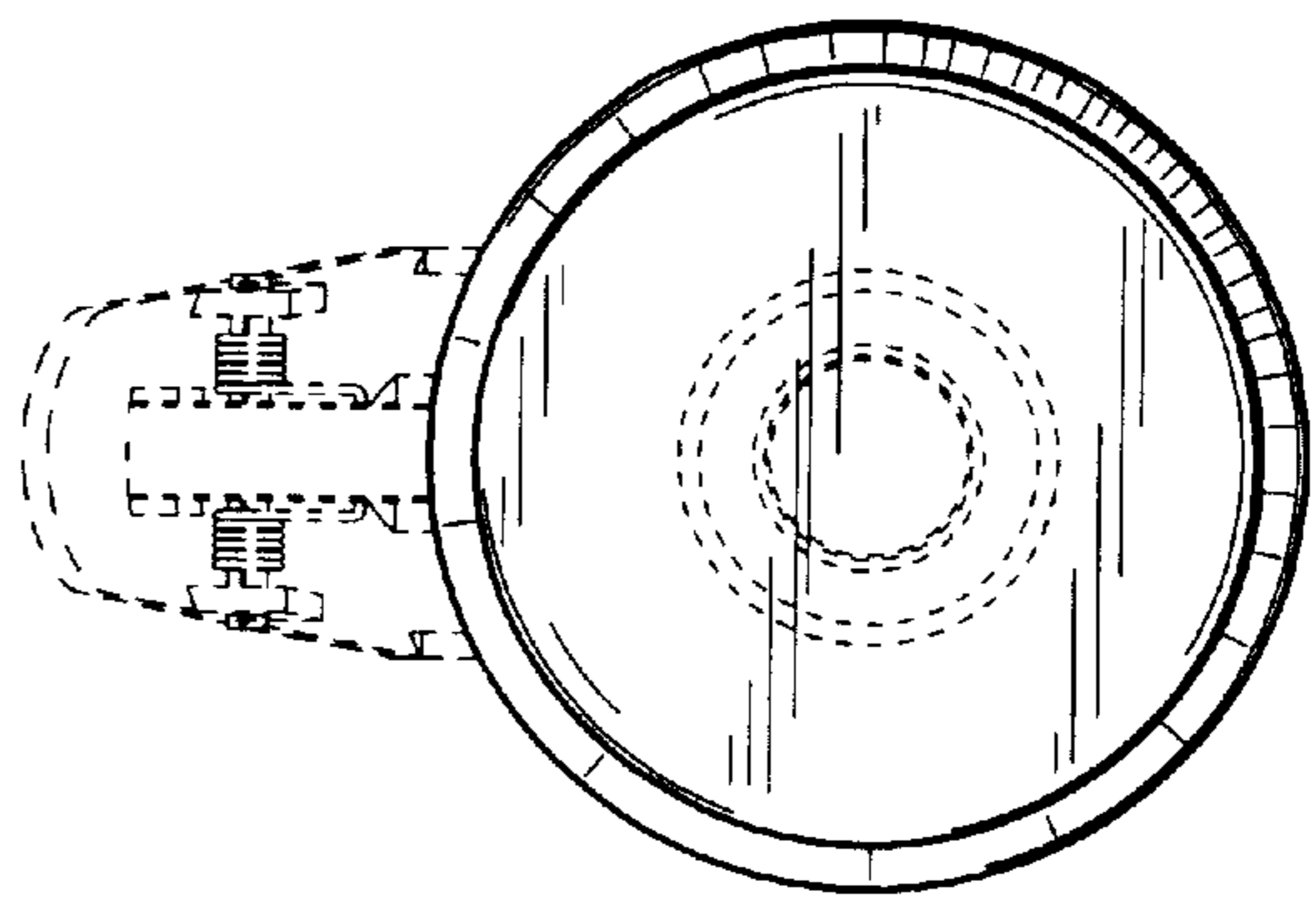


Fig.5

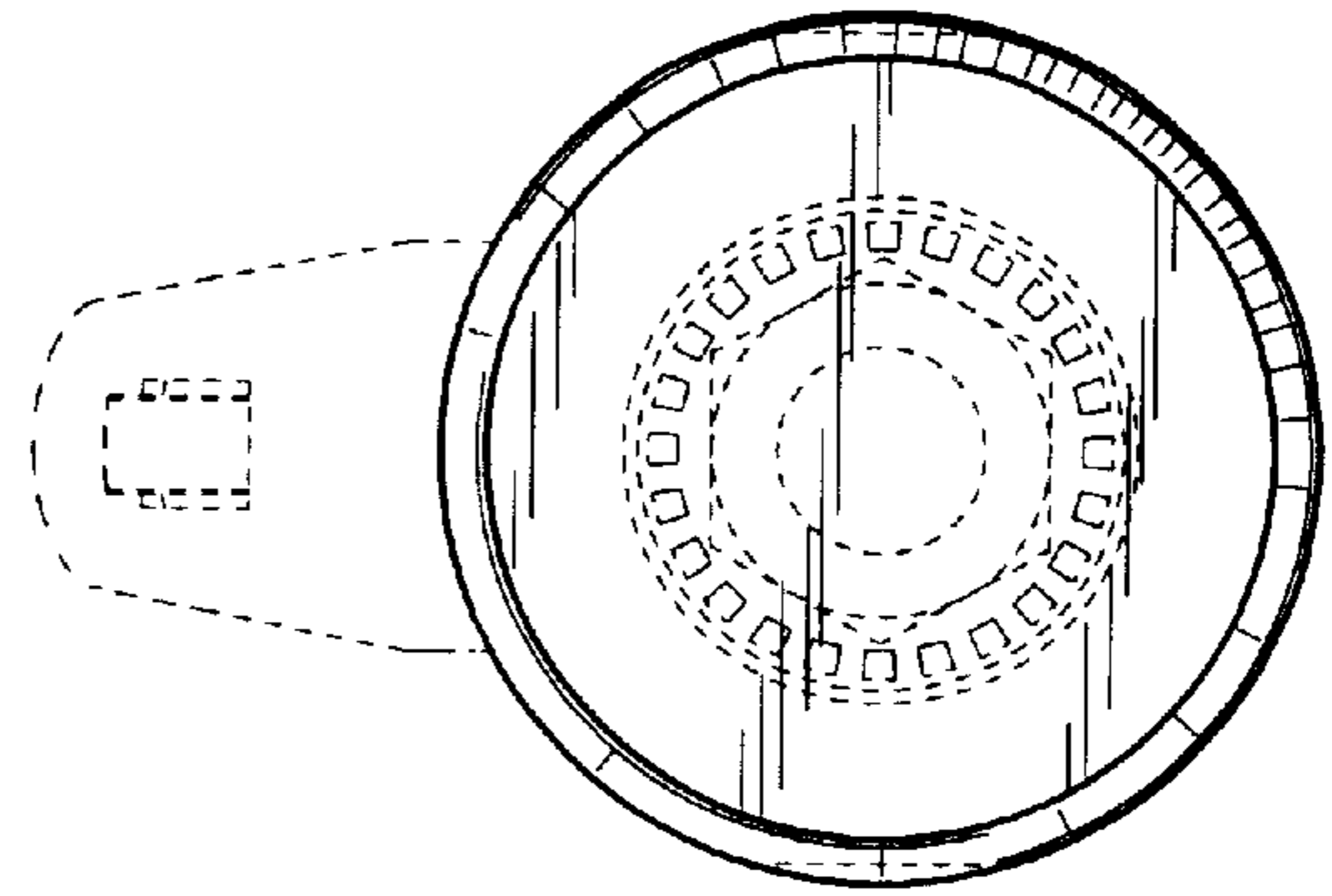


Fig.6