



US00D465977S

(12) **United States Design Patent**
Chen

(10) **Patent No.:** **US D465,977 S**

(45) **Date of Patent:** **** Nov. 26, 2002**

(54) **WRENCH**

(76) Inventor: **Ander Chen**, No. 21, Guan-Chien St.,
Lu-Gang Zen, Chang-Hua Hsien (TW)

(**) Term: **14 Years**

(21) Appl. No.: **29/145,223**

(22) Filed: **Jul. 19, 2001**

(51) **LOC (7) Cl.** **08-05**

(52) **U.S. Cl.** **D8/28**

(58) **Field of Search** D8/17, 21-29,
D8/107; 81/125.1, 177.1, 119, 124.7, 124.3,
186

(56) **References Cited**

U.S. PATENT DOCUMENTS

D111,094 S	*	8/1938	Vallone	
3,029,673 A	*	4/1962	Godsey	
D224,677 S	*	8/1972	Lehnhard	
D433,897 S	*	11/2000	Chen	D8/28
D435,411 S	*	12/2000	Chen	D8/28
D440,840 S	*	4/2001	Lee	D8/28

OTHER PUBLICATIONS

Southwest Tech. Import & Export Corp, Aug. 15, 1995.*

* cited by examiner

Primary Examiner—Raphael Barkai

(74) *Attorney, Agent, or Firm*—Charles E. Baxley

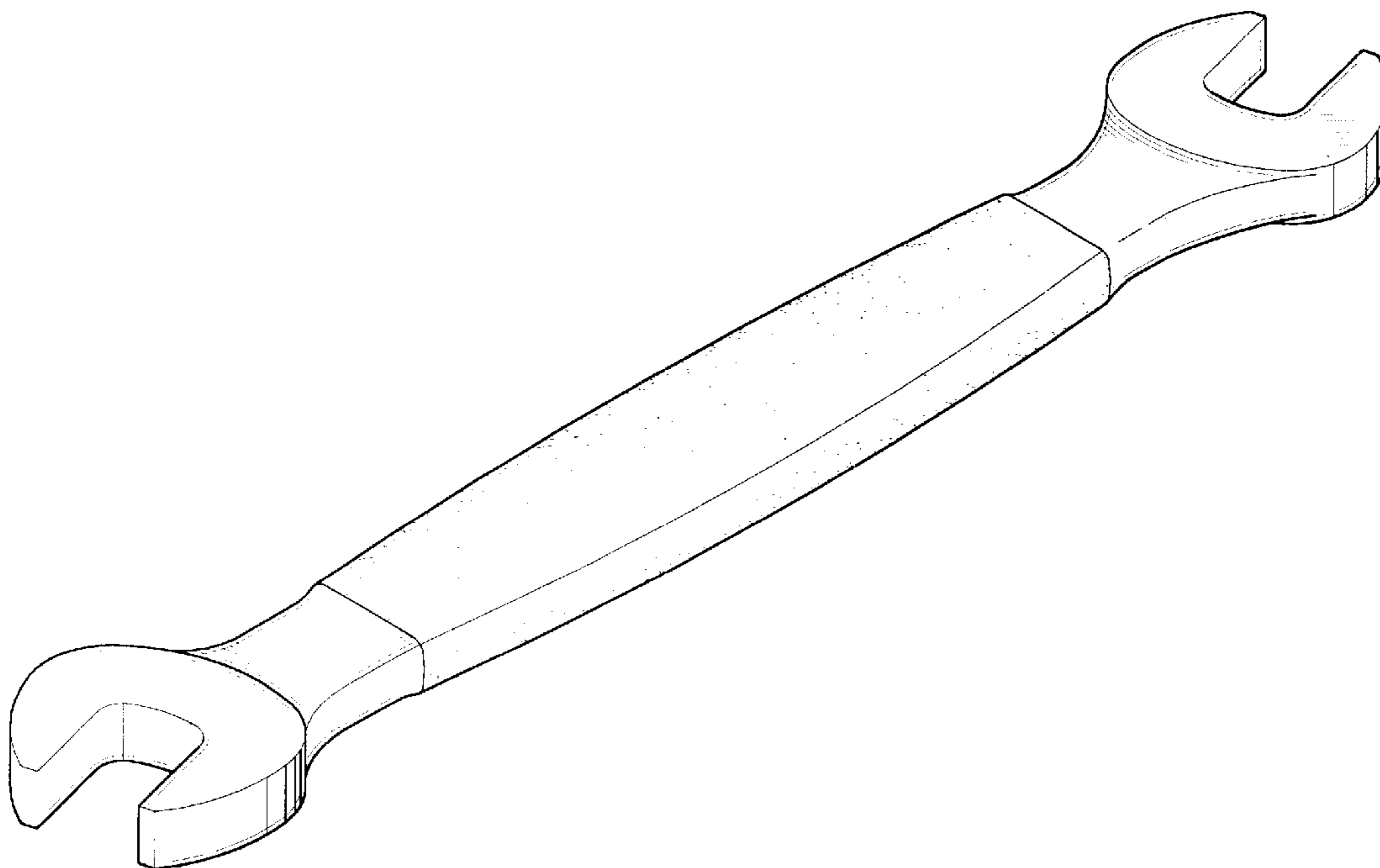
(57) **CLAIM**

The ornamental design for a wrench, as shown and described.

DESCRIPTION

FIG. 1 is a perspective view of a wrench showing my new design;
FIG. 2 is a front elevational view thereof;
FIG. 3 is a rear elevational view thereof;
FIG. 4 is a left side elevational view thereof;
FIG. 5 is a right side elevational view thereof;
FIG. 6 is a top plan view thereof; and,
FIG. 7 is a bottom plan view thereof.

1 Claim, 4 Drawing Sheets



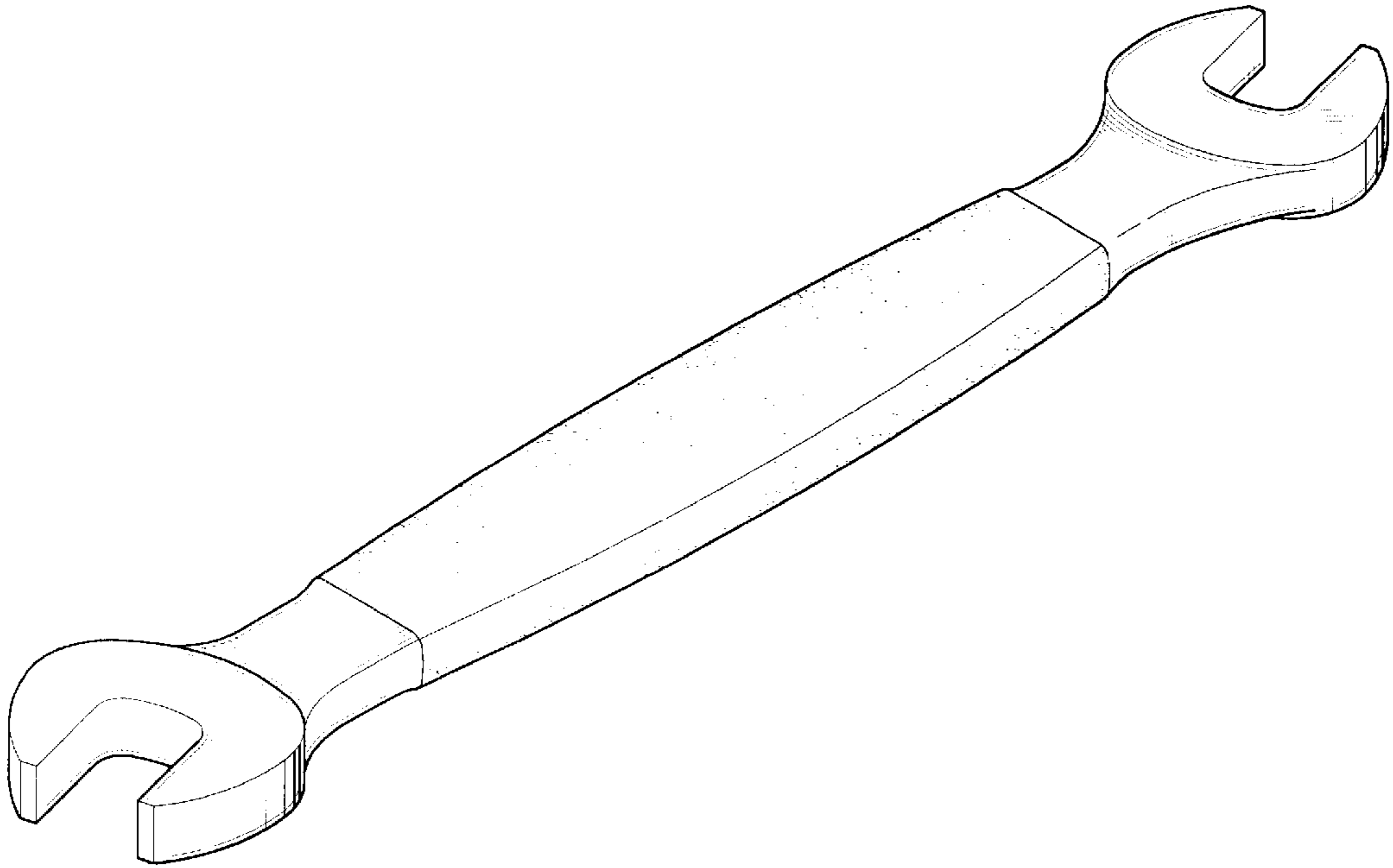


FIG. 1

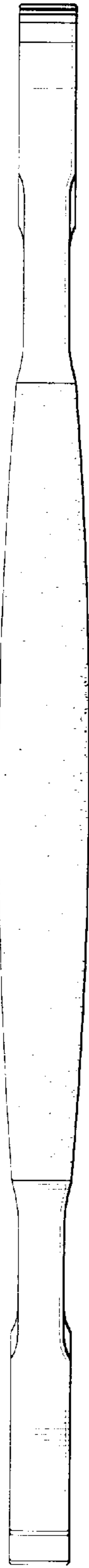


FIG. 2



FIG. 3



FIG. 4

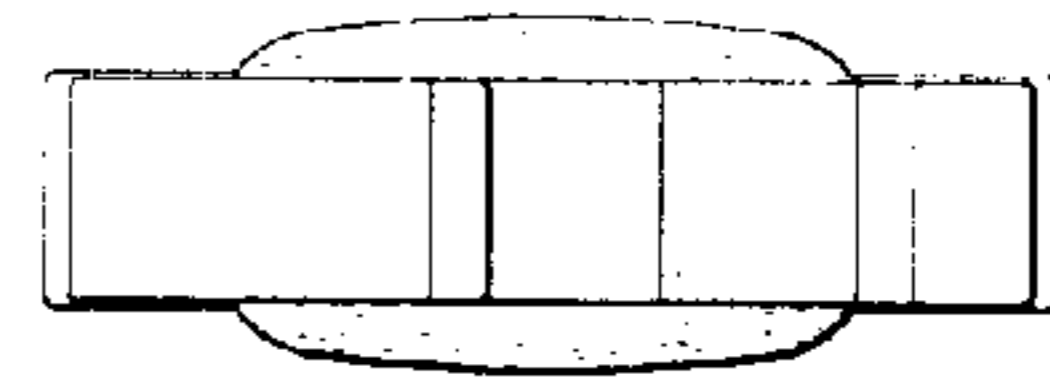


FIG. 5



FIG. 6

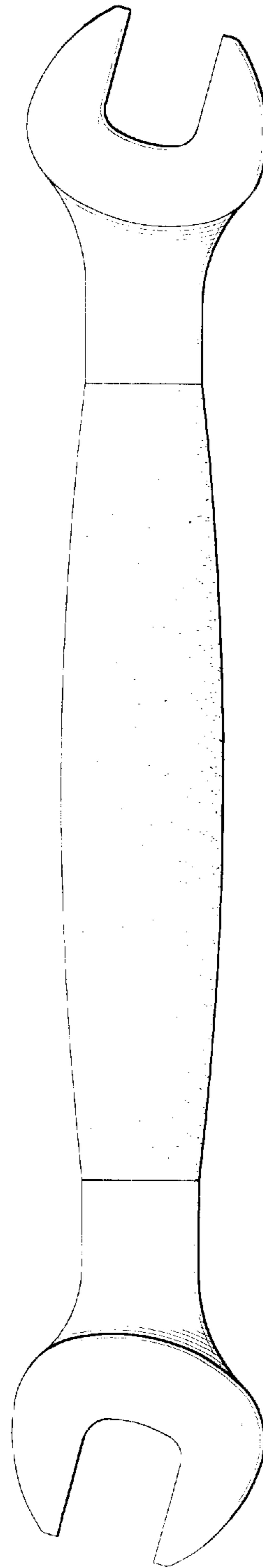


FIG. 7