



US00D465972S

(12) **United States Design Patent**
Gritner

(10) **Patent No.:** **US D465,972 S**

(45) **Date of Patent:** **** Nov. 26, 2002**

(54) **CONTAINER**

D401,971 S * 12/1998 Chang D19/85
D428,767 S * 8/2000 Turner, Jr. D7/505

(76) Inventor: **Malgorzata Gritner**, 29740 48th Ave.
South, Auburn, WA (US) 98001

OTHER PUBLICATIONS

(**) Term: **14 Years**

Flower container #1 (1 page).
Flower container #2 (1 page).
Flower container #3 (FIGS. 1-6).

(21) Appl. No.: **29/152,151**

* cited by examiner

(22) Filed: **Dec. 14, 2001**

Primary Examiner—M. N. Pandozzi

(51) **LOC (7) Cl.** **07-01**

(74) *Attorney, Agent, or Firm*—Black Lowe & Graham
PLLC

(52) **U.S. Cl.** **D7/557**; D7/555; D7/549

(58) **Field of Search** D7/555, 706, 543,
D7/545, 546, 549, 553.7, 557, 553.8, 513,
536, 701, 505; D11/147, 146; D24/230;
D19/85; 220/575, 23.83; 715/10, 12.1

(57) **CLAIM**

The ornamental design for a container, as shown and
described.

(56) **References Cited**

DESCRIPTION

U.S. PATENT DOCUMENTS

| | | | | | | |
|-----------|---|---|---------|-----------------------|-------|----------|
| 2,288,044 | A | * | 6/1942 | Stemme | | 215/12.1 |
| D190,506 | S | * | 6/1961 | Saks et al. | | D11/147 |
| D200,965 | S | * | 4/1965 | Erbguth | | D11/147 |
| D228,863 | S | * | 10/1973 | Sholkin | | D7/546 |
| D251,104 | S | * | 2/1979 | Sanchez et al. | | D7/706 |
| D259,141 | S | * | 5/1981 | Oliver | | D24/230 |
| D287,633 | S | * | 1/1987 | Hollar et al. | | D24/230 |
| D318,985 | S | * | 8/1991 | Szablak et al. | | D7/701 |
| D325,934 | S | * | 5/1992 | Ramljak | | D19/85 |
| D356,232 | S | * | 3/1995 | Armstrong et al. | | D7/513 |
| D360,214 | S | * | 7/1995 | Loudon | | D15/150 |
| D369,275 | S | * | 4/1996 | Anton | | D7/513 |
| D370,831 | S | * | 6/1996 | Steinfels, III et al. | | D7/536 |
| D381,687 | S | * | 7/1997 | Skoko | | D19/85 |

FIG. 1 is a perspective view of the present invention;
FIG. 2 is a top perspective view thereof;
FIG. 3 is a sectional view taken along line 3—3 of FIG. 1;
FIG. 4 is a top view thereof;
FIG. 5 is a back view thereof;
FIG. 6 is a right side view thereof, the left side view being
identical;
FIG. 7 is a bottom view thereof; and,
FIG. 8 is a front view thereof.
The broken line showing of a handle in FIGS. 1-7 is for
illustrative purposes only and forms no part of the claimed
design.

1 Claim, 2 Drawing Sheets

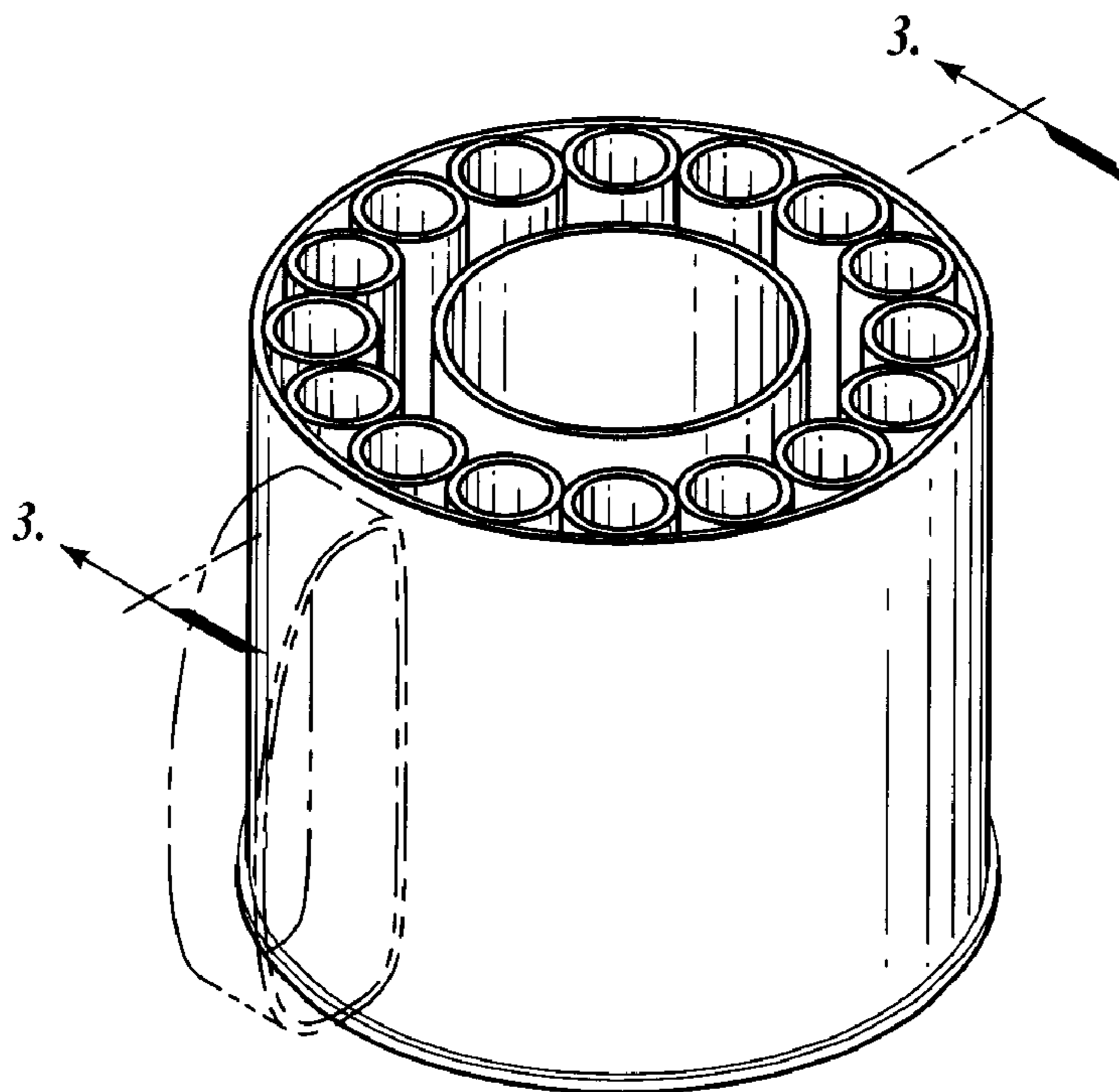


Fig. 1.

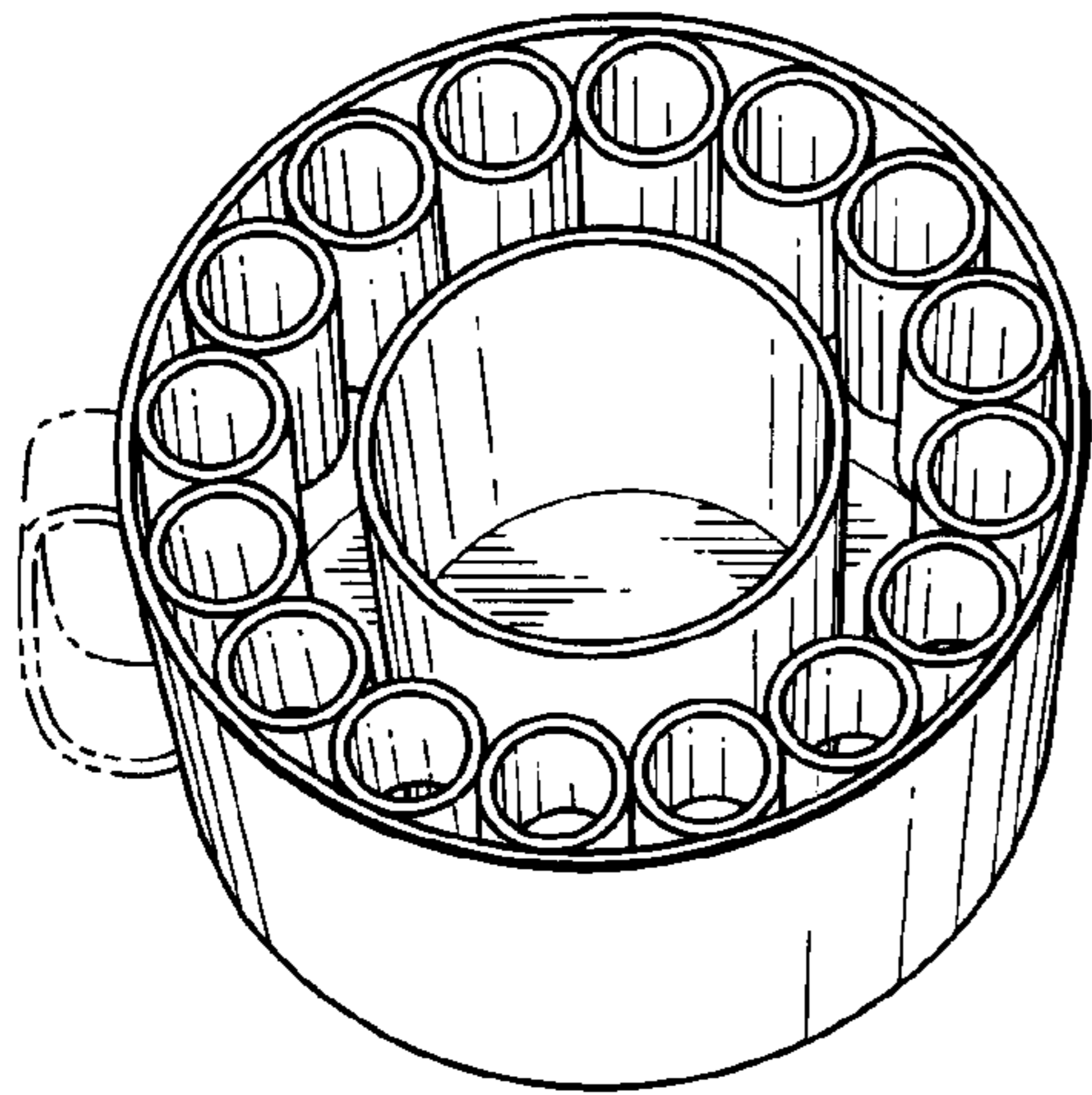
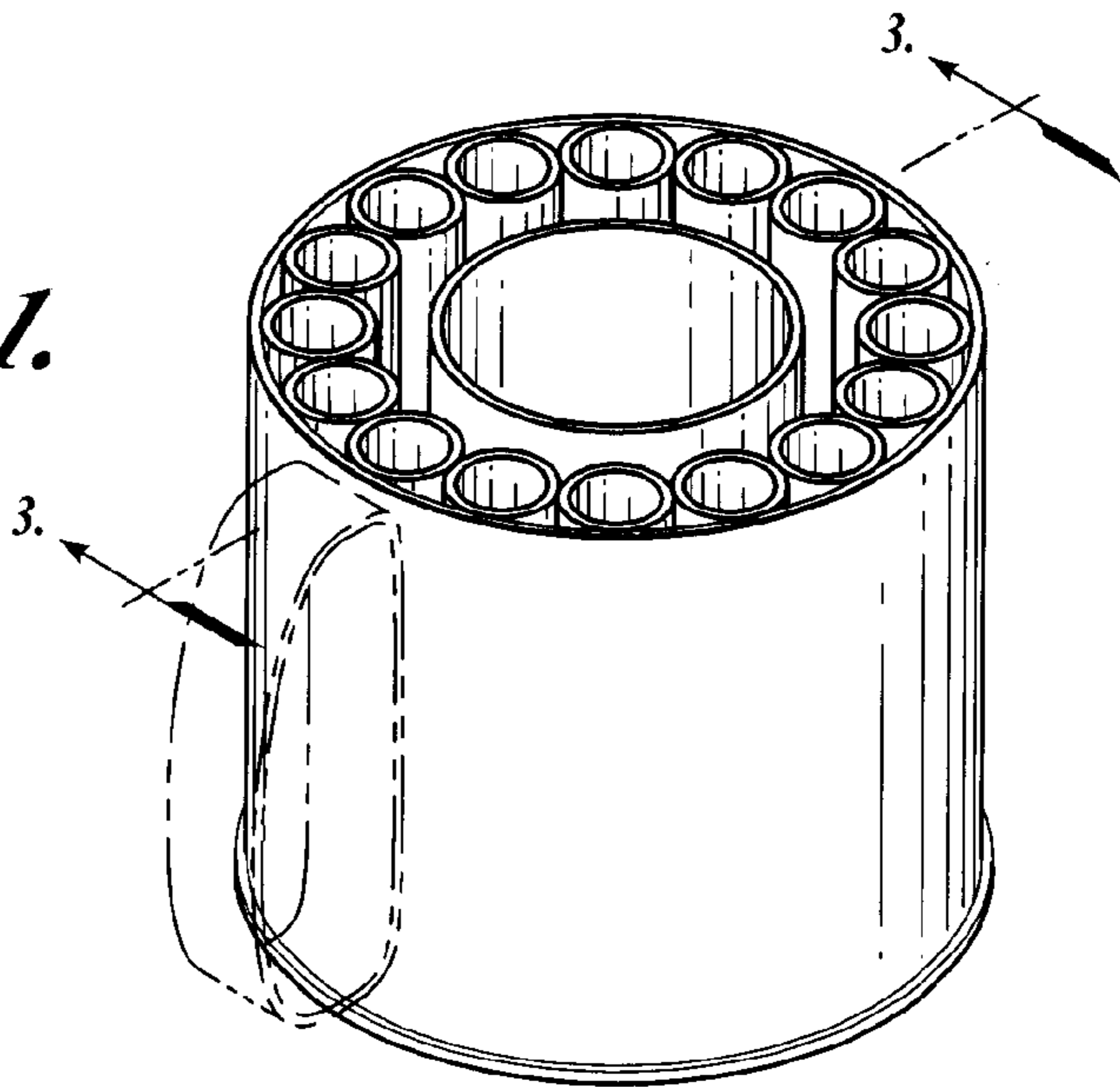
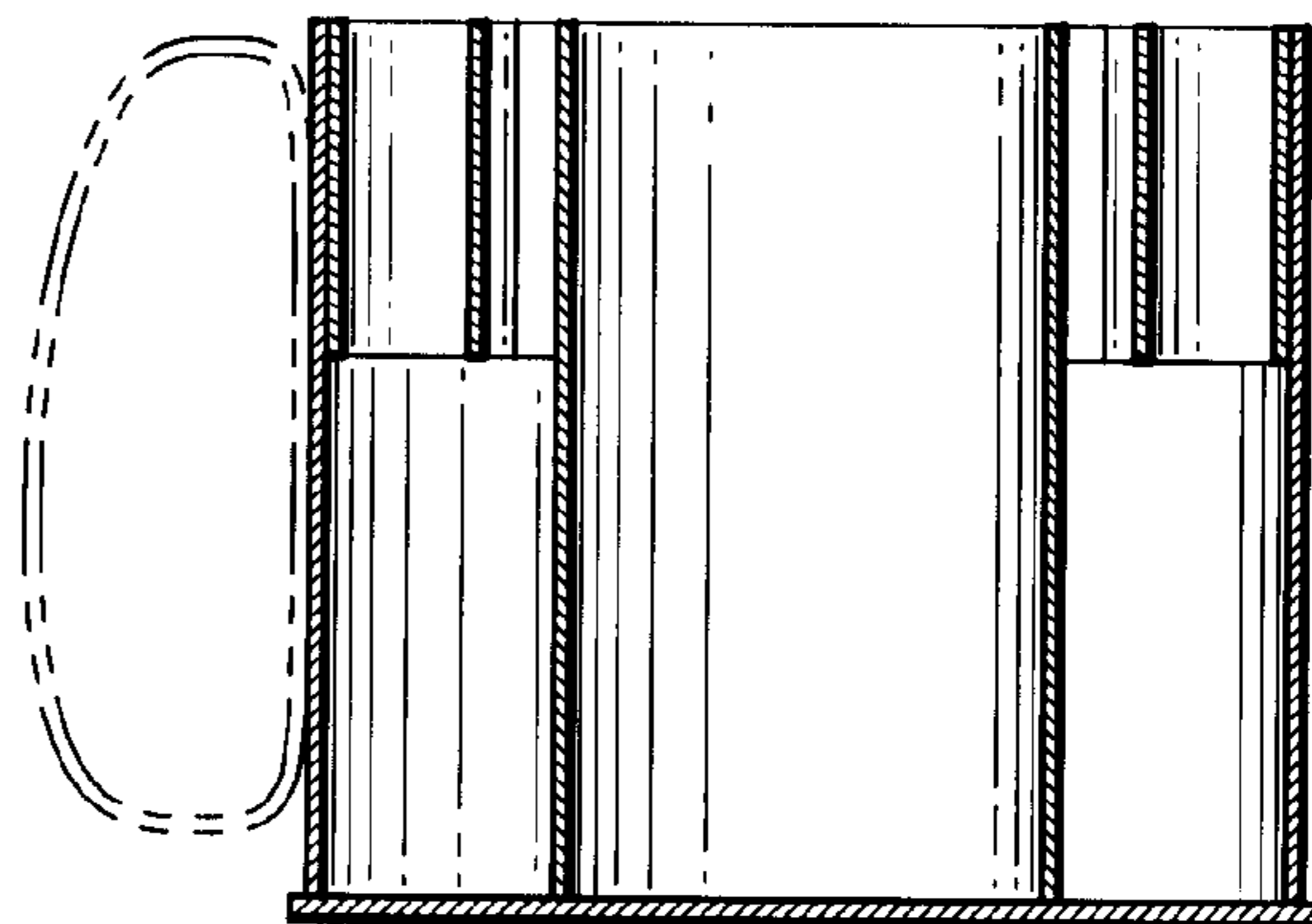


Fig. 2.

Fig. 3.



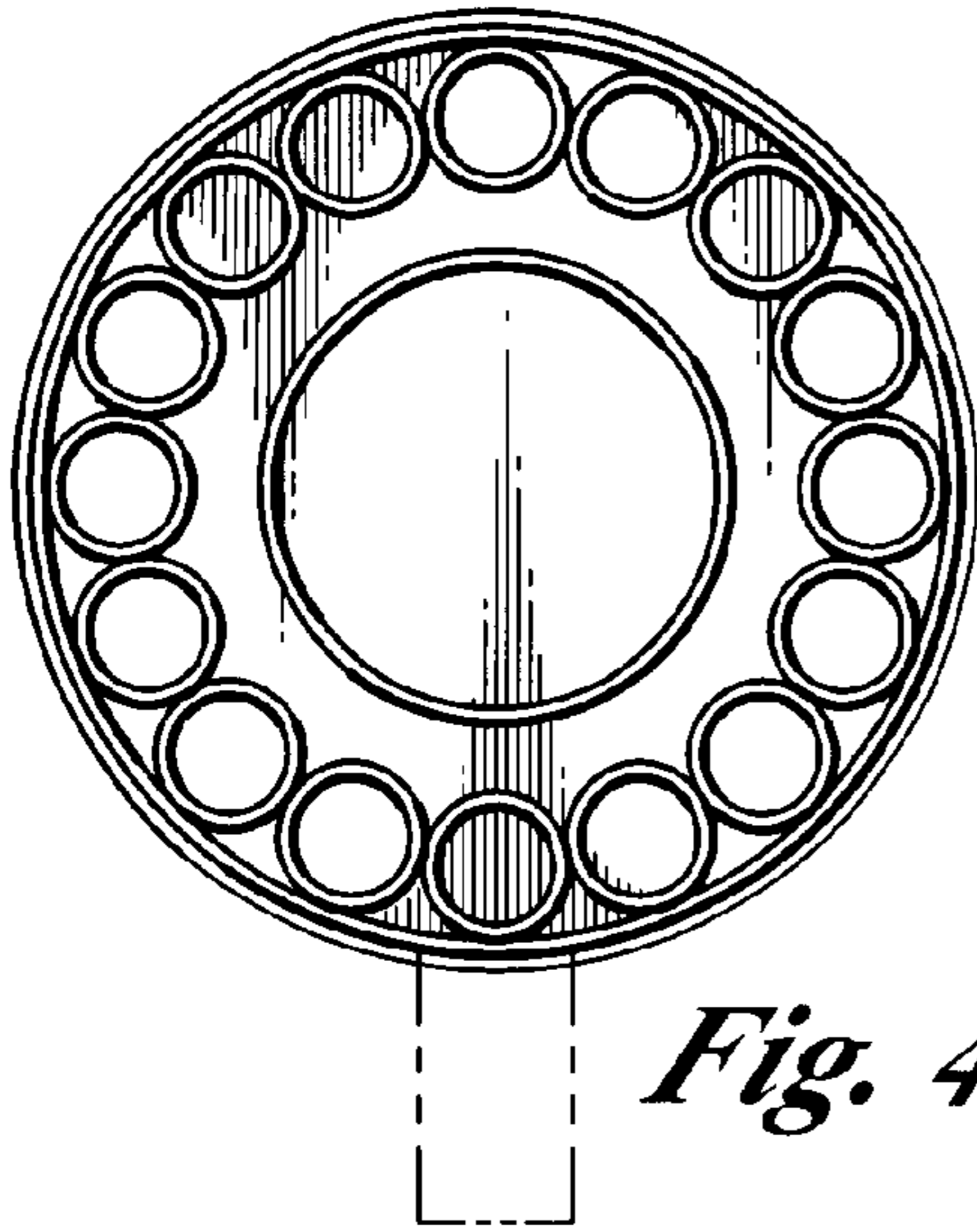


Fig. 4.

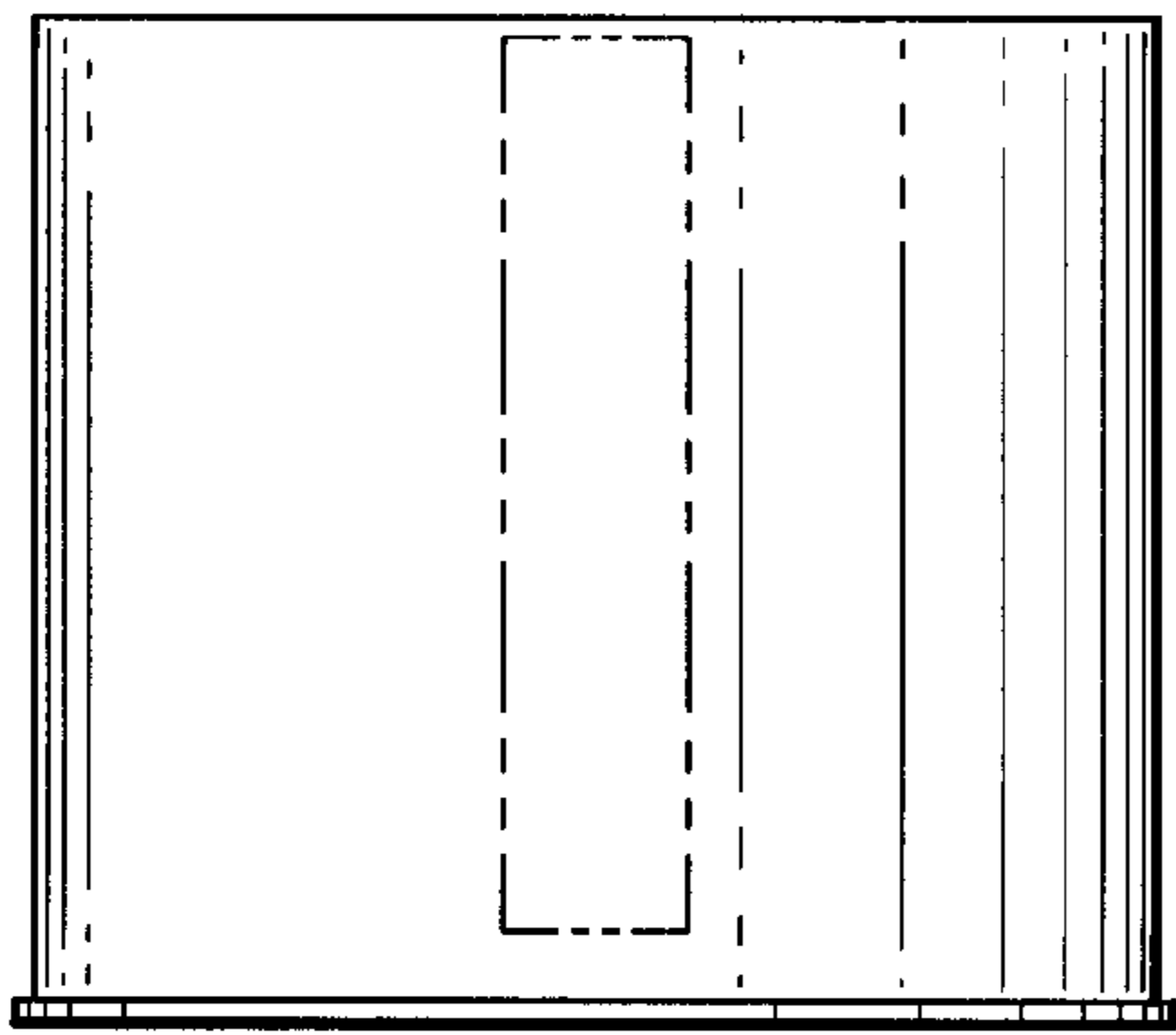


Fig. 5.

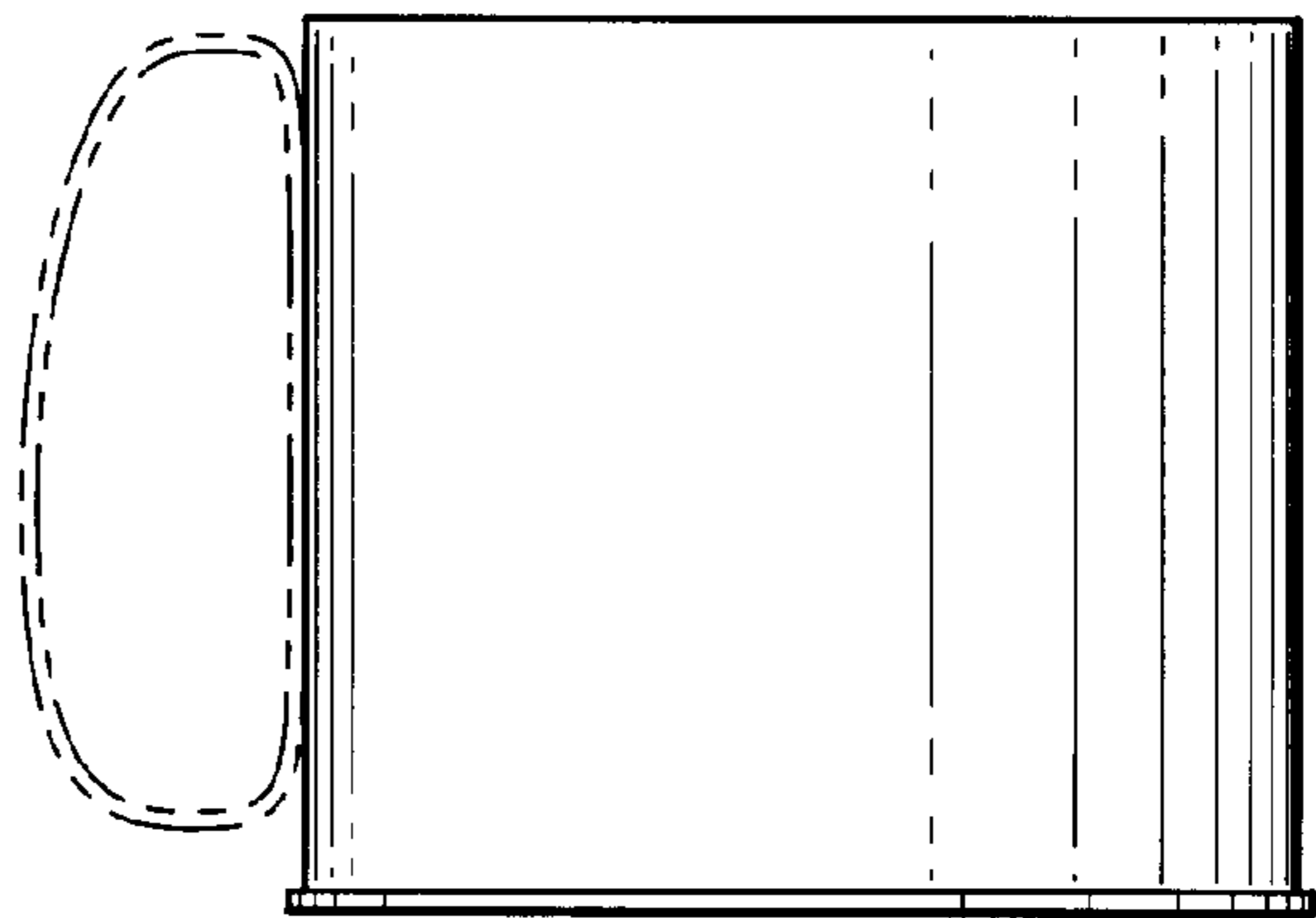


Fig. 6.

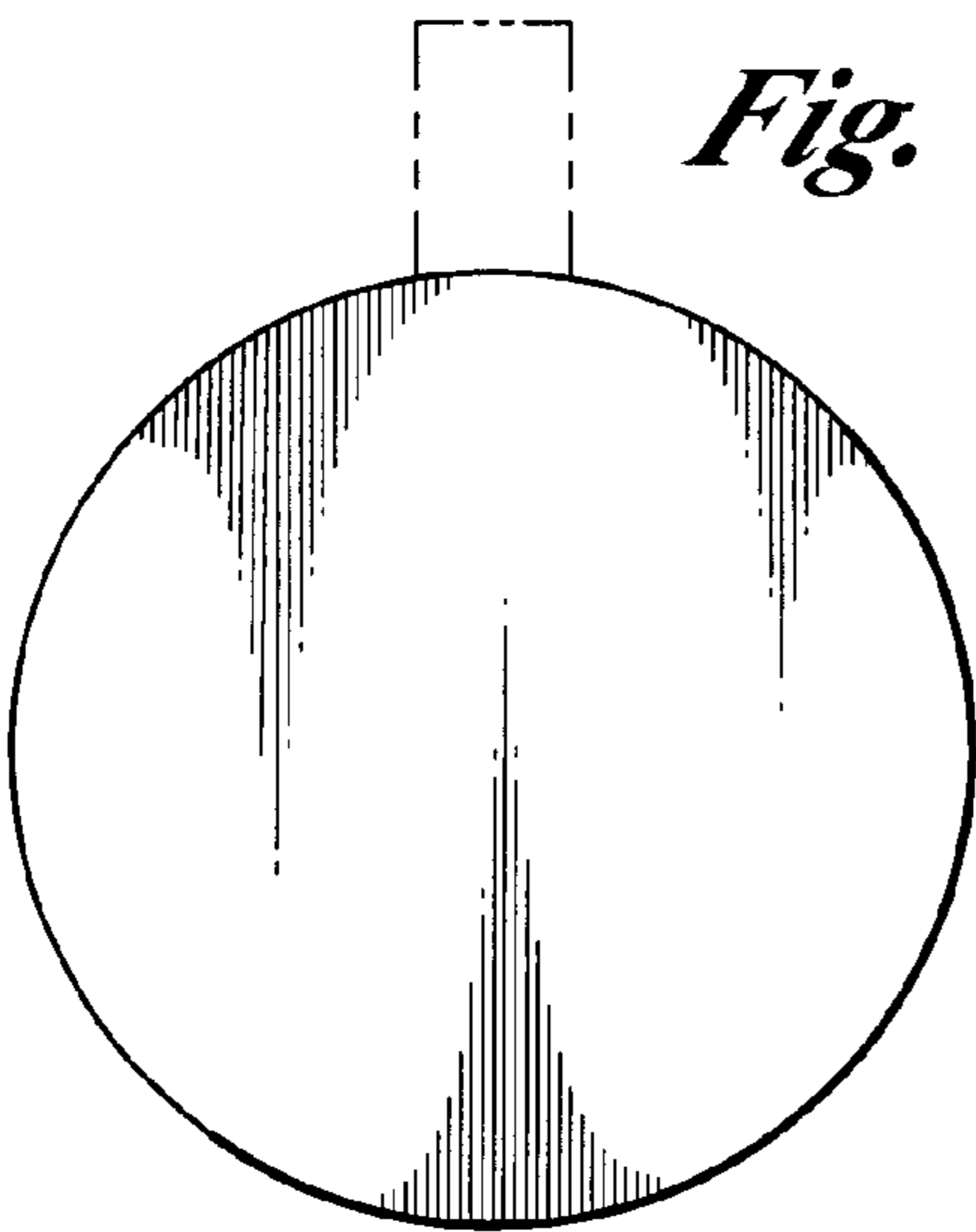


Fig. 7.

Fig. 8.

