



US00D465970S

(12) **United States Design Patent**  
**Dimeo**

(10) **Patent No.:** **US D465,970 S**

(45) **Date of Patent:** **\*\* Nov. 26, 2002**

(54) **STRAW HOLDER**

(75) **Inventor:** **M. Philippe Dimeo, Paris (FR)**

(73) **Assignee:** **Moet et Chandan S.A., Epernay (FR)**

(\*\*) **Term:** **14 Years**

(21) **Appl. No.:** **29/157,573**

(22) **Filed:** **Mar. 22, 2002**

(30) **Foreign Application Priority Data**

Dec. 14, 2001 (XH) ..... DM/058 322

(51) **LOC (7) Cl.** ..... **07-99**

(52) **U.S. Cl.** ..... **D7/392.1; D7/396.2; D7/900**

(58) **Field of Search** ..... D7/392, 392.1,  
D7/510, 511, 300.2, 900, 396.2; 220/705,  
709, 906.1; 62/400; 222/556; 224/148.1;  
229/121, 141; D9/436, 449, 447, 434, 443;  
239/589

(56) **References Cited**

**U.S. PATENT DOCUMENTS**

2,082,614	A	*	6/1937	Broderick	.....	229/121
5,044,512	A	*	9/1991	Giancaspro et al.	.....	220/709
D336,043	S	*	6/1993	Provencio	.....	D9/436
5,249,702	A	*	10/1993	Topp et al.	.....	220/705
5,462,194	A	*	10/1995	Barnwell	.....	220/709

5,507,156	A	*	4/1996	Redmon	.....	62/400
5,676,285	A	*	10/1997	Vinarsky	.....	224/148.1
5,868,323	A	*	2/1999	Cantor	.....	239/589
D423,354	S	*	4/2000	Lin	.....	D9/447
D425,362	S	*	5/2000	Meyers et al.	.....	D7/392
6,123,219	A	*	9/2000	Cornell et al.	.....	220/705
D433,275	S	*	11/2000	Betras	.....	D7/392.1

\* cited by examiner

*Primary Examiner*—M. N. Pandozzi

(74) *Attorney, Agent, or Firm*—Charles E. Temko; Graham Campaign

(57) **CLAIM**

The ornamental design for a straw holder, as shown.

**DESCRIPTION**

FIG. 1 is a perspective view of a straw holder showing my new design.

FIG. 2 is a side elevational view thereof.

FIG. 3 is a side elevational view thereof showing the side opposite that seen in FIG. 2.

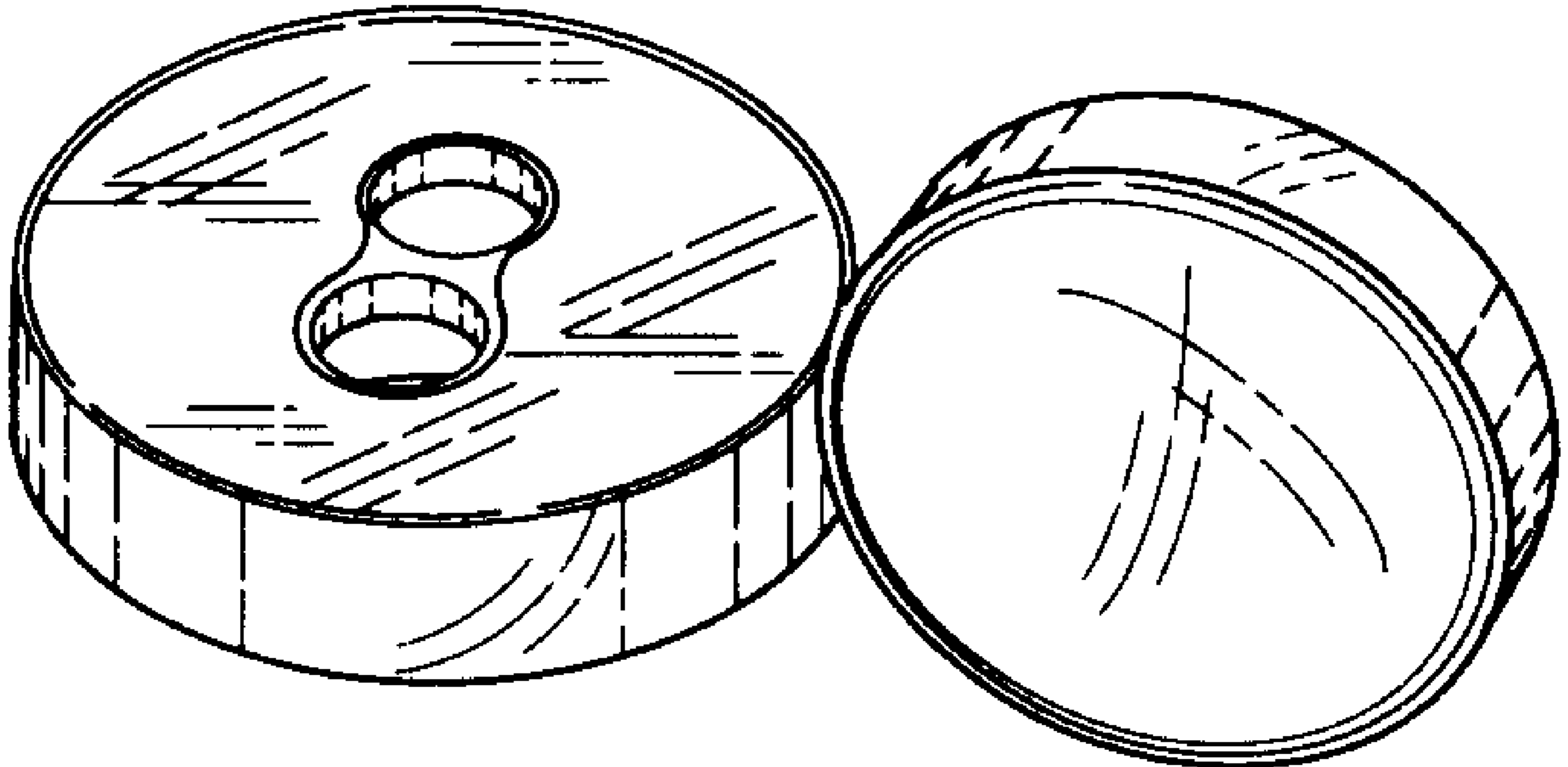
FIG. 4 is a side elevational view as seen from the left-hand portion of FIG. 2.

FIG. 5 is a side elevational view as seen from the right-hand portion of FIG. 2.

FIG. 6 is a top plan view thereof; and,

FIG. 7 is a bottom plan view thereof.

**1 Claim, 2 Drawing Sheets**



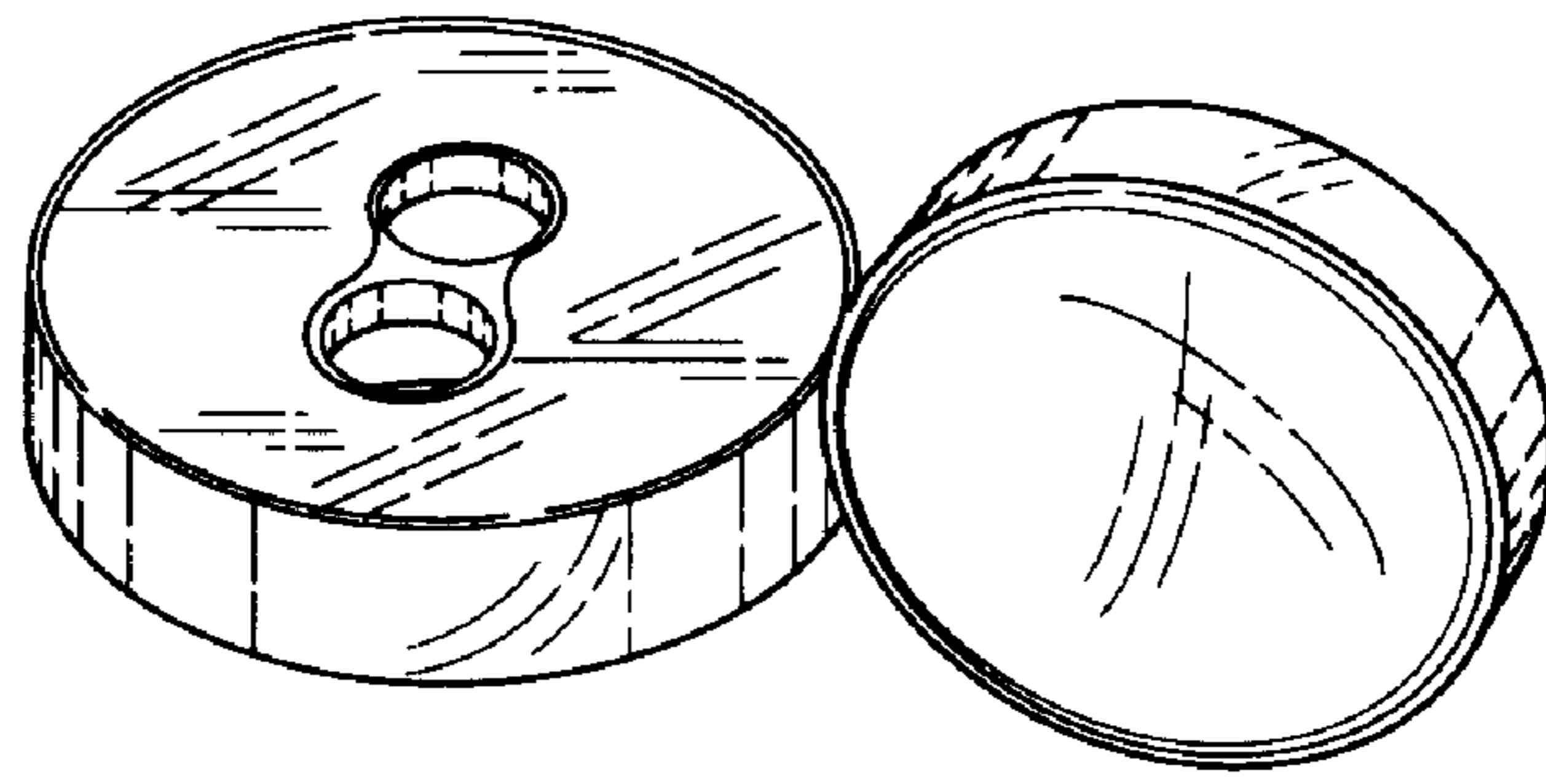


FIG. 1

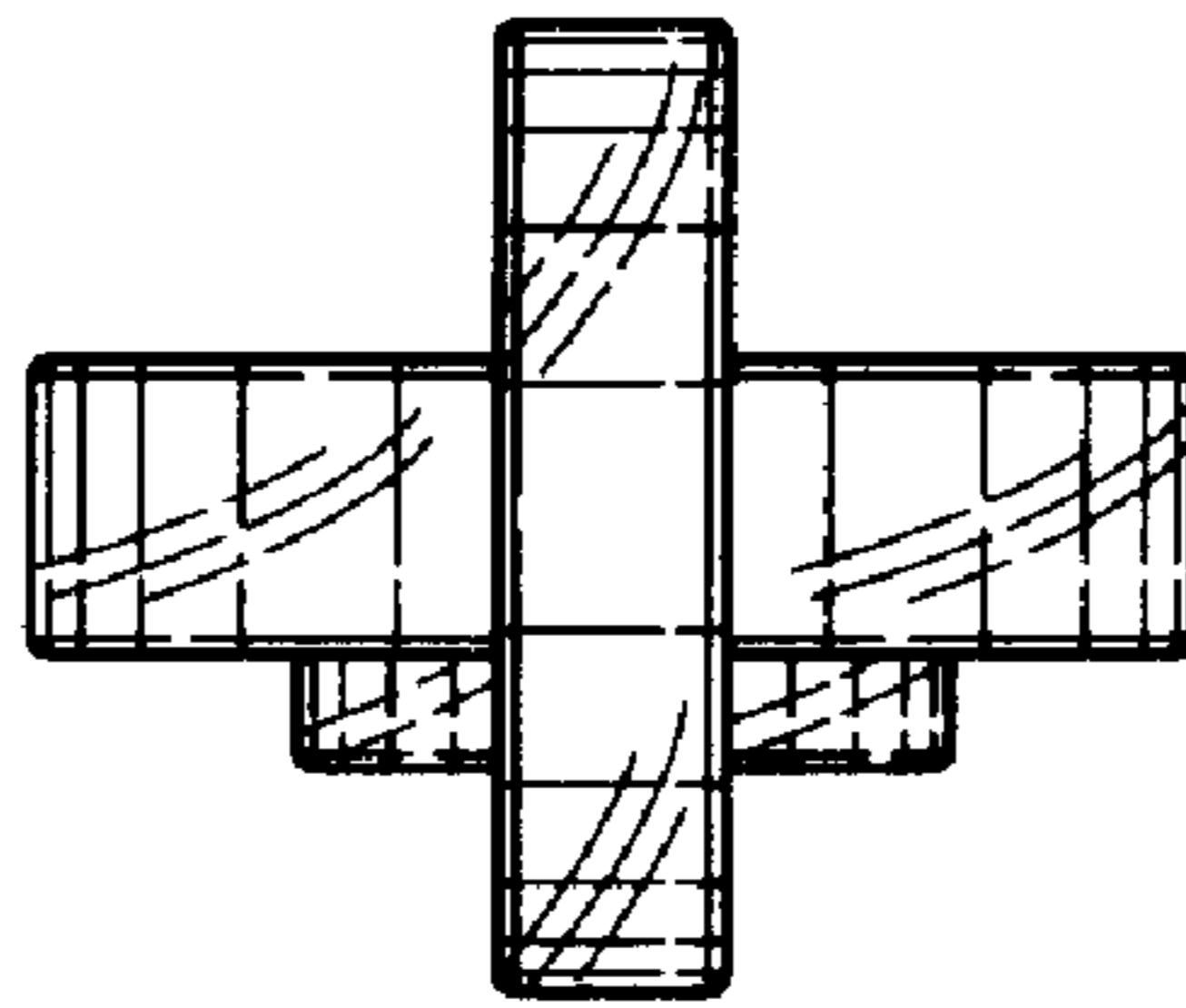


FIG. 2

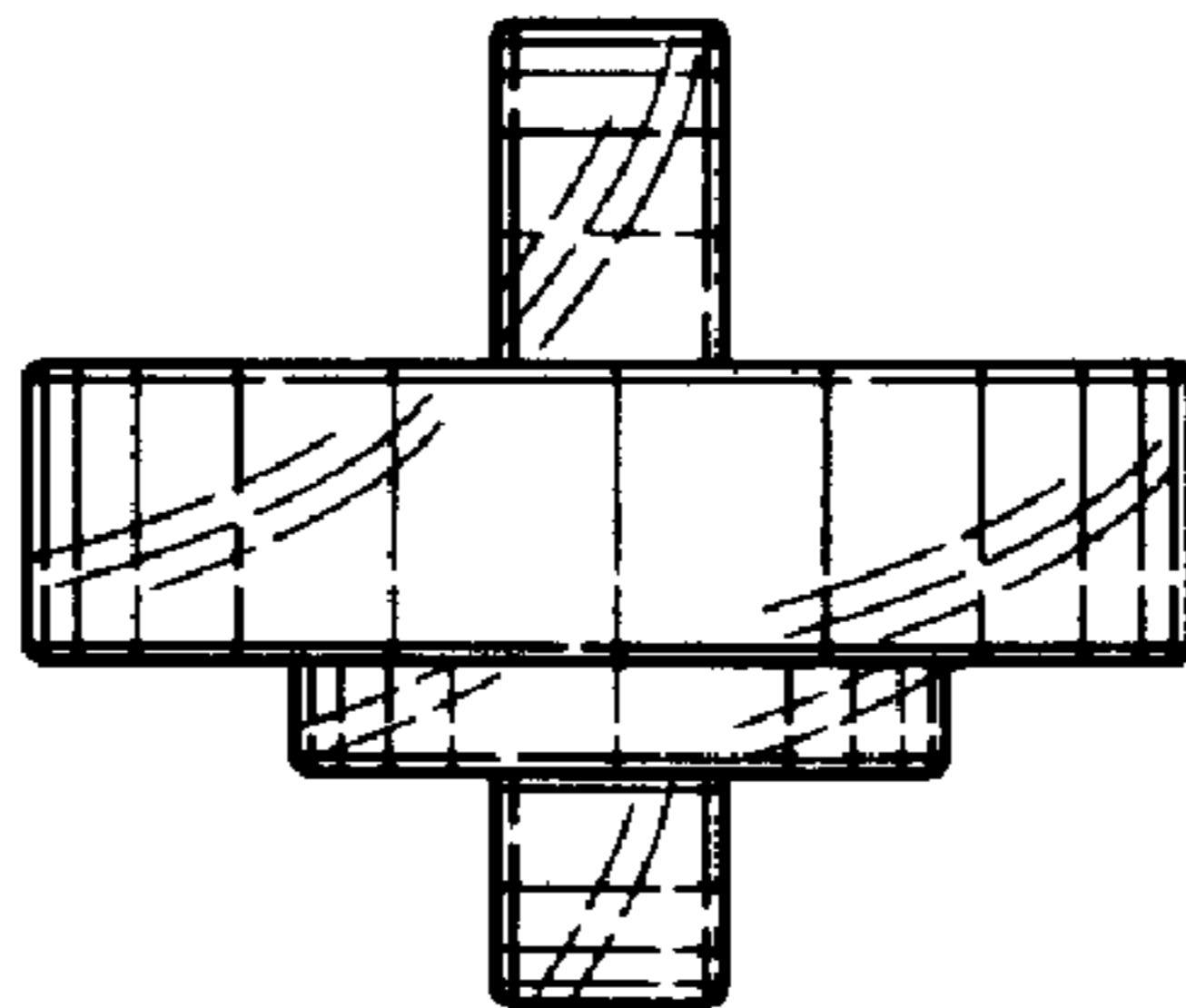


FIG. 3

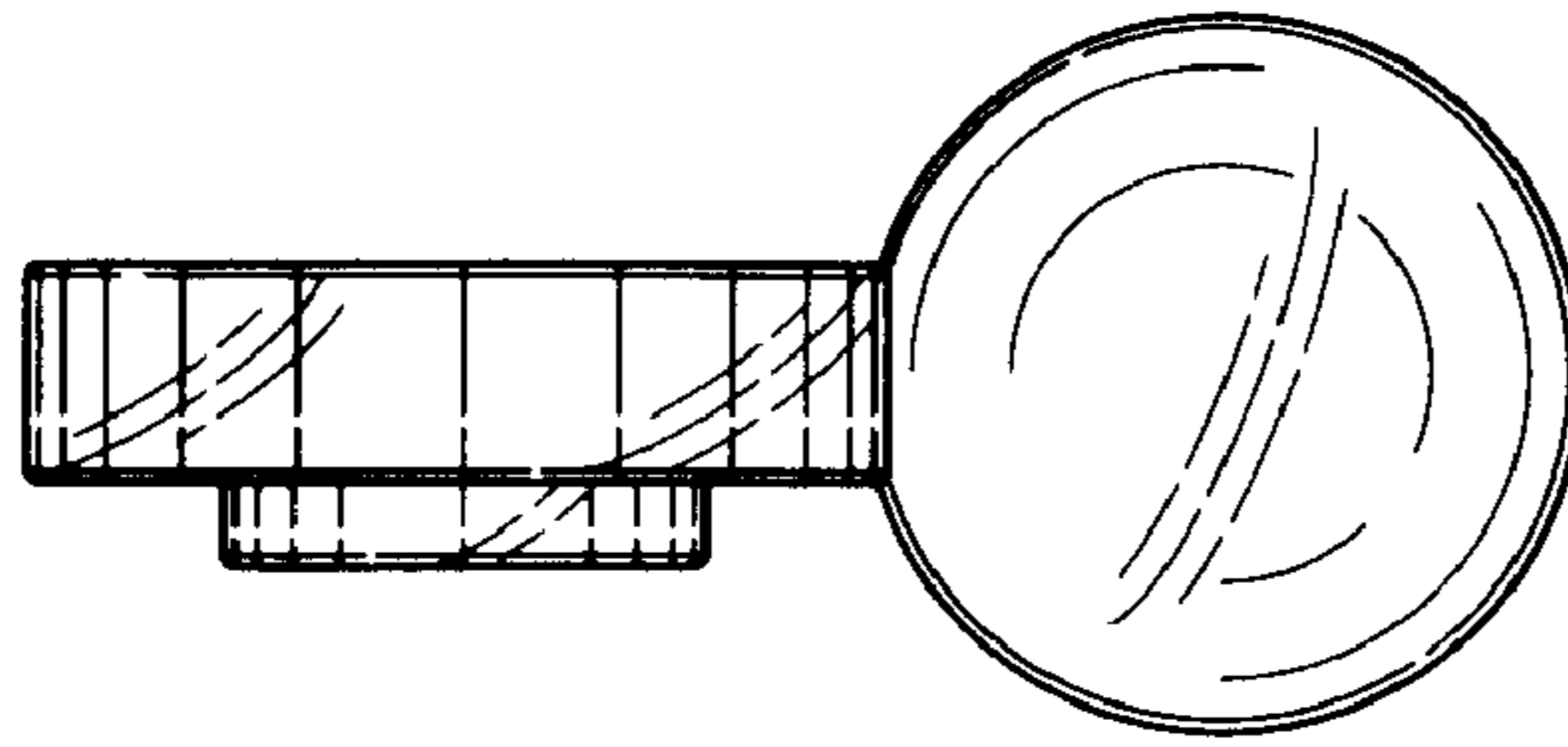


FIG. 4

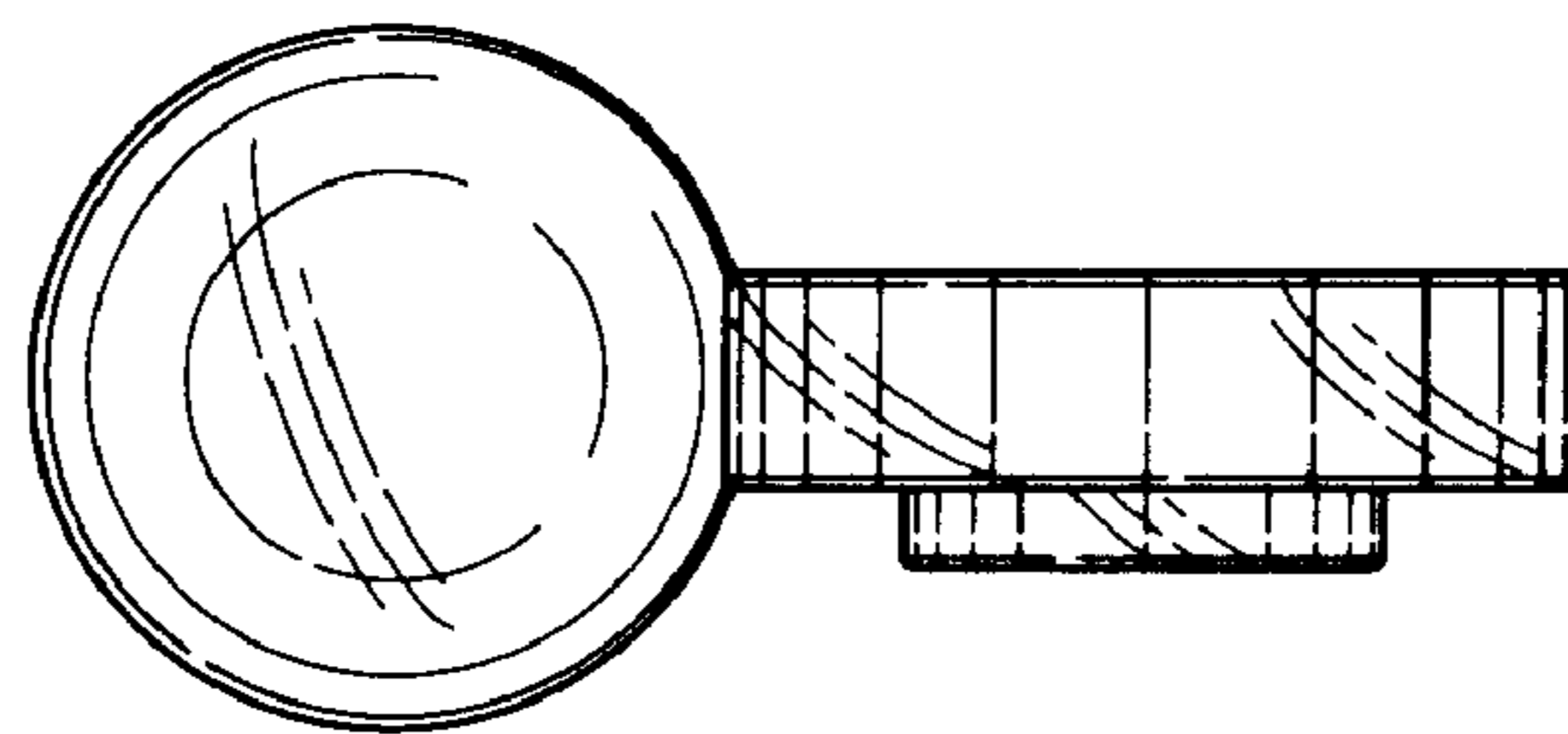


FIG. 5

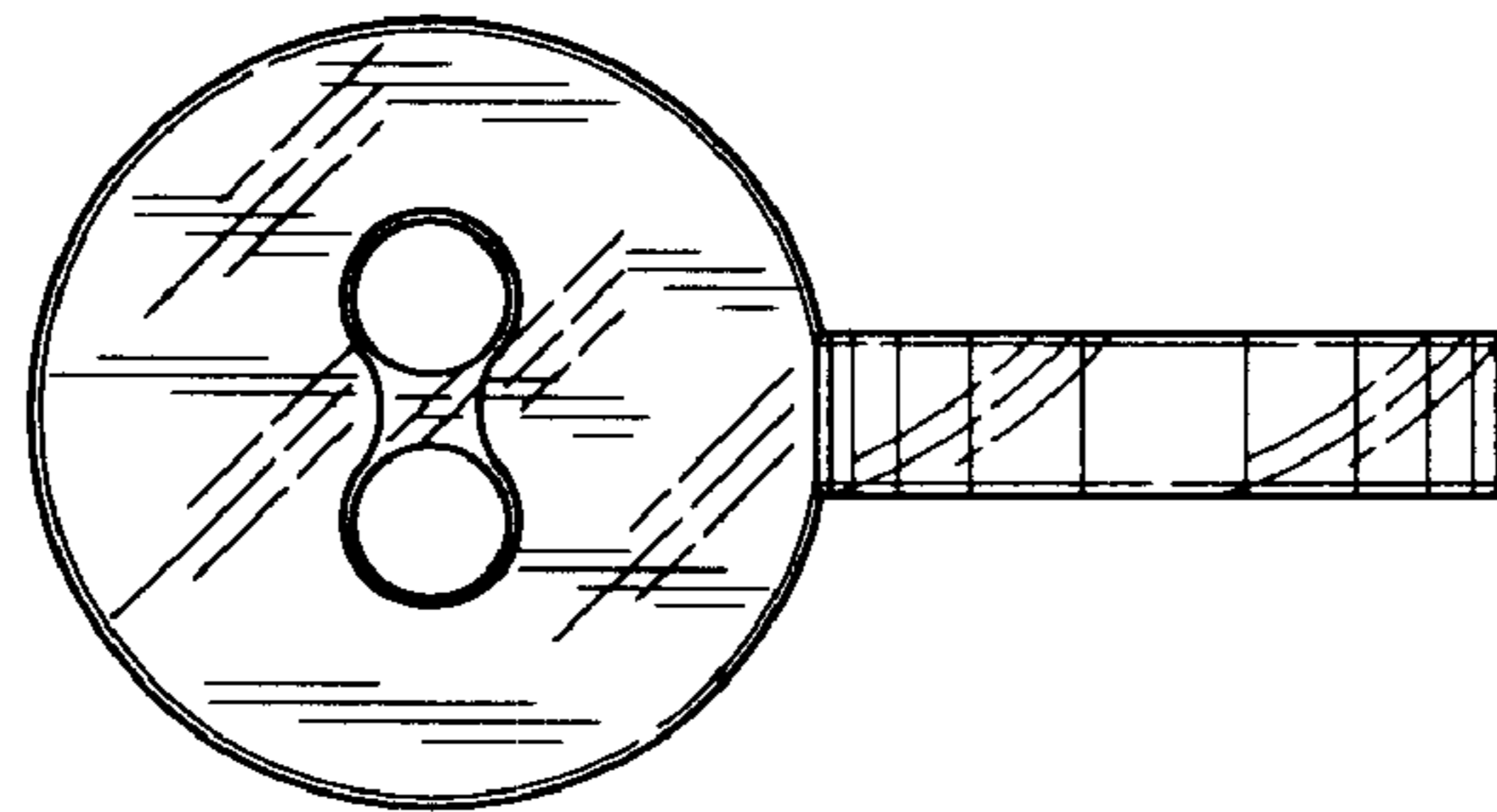


FIG. 6

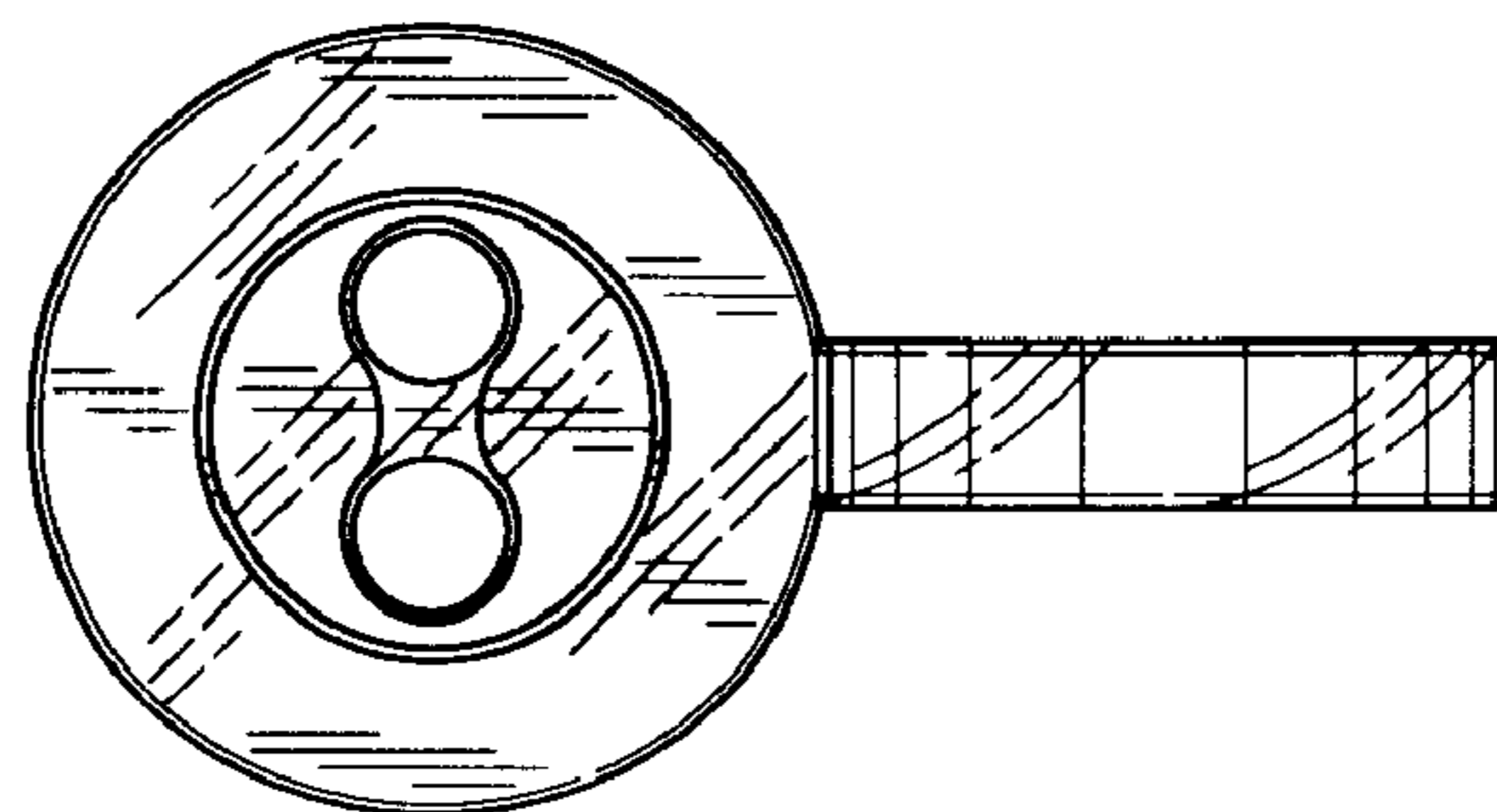


FIG. 7