



US00D465967S

(12) **United States Design Patent**
Dalton et al.

(10) **Patent No.:** **US D465,967 S**

(45) **Date of Patent:** **** Nov. 26, 2002**

(54) **HAND MIXER**

(75) Inventors: **Jonathan Dalton**, Portland, OR (US);
Michael T. Seum, St. Joseph, MI (US);
Philip Michael Thompson, St. Joseph,
MI (US); **Aaron Hayes**, Portland, OR
(US); **James Owen**, Portland, OR (US);
Jamian Cobbett, Portland, OR (US)

(73) Assignee: **Whirlpool Corporation**, Benton
Harbor, MI (US)

(**) Term: **14 Years**

(21) Appl. No.: **29/155,304**

(22) Filed: **Feb. 7, 2002**

(51) **LOC (7) Cl.** **31-00**

(52) **U.S. Cl.** **D7/379**

(58) **Field of Search** D7/376-386; 366/64,
366/66, 129, 200, 349

(56) **References Cited**

U.S. PATENT DOCUMENTS

D321,811 S * 11/1991 Littmann D7/379

D322,008 S * 12/1991 Littmann D7/376

D345,888 S * 4/1994 Joss et al. D7/379

D362,587 S * 9/1995 Littmann D7/386

D430,774 S * 9/2000 Naft et al. D7/379

* cited by examiner

Primary Examiner—Caron D. Veynar

(74) *Attorney, Agent, or Firm*—Robert O. Rice; Stephen D.
Krefman; Thomas J. Roth

(57) **CLAIM**

The ornamental design for a hand mixer, as shown and
described.

DESCRIPTION

FIG. 1 is a front perspective view of the design of the present
invention.

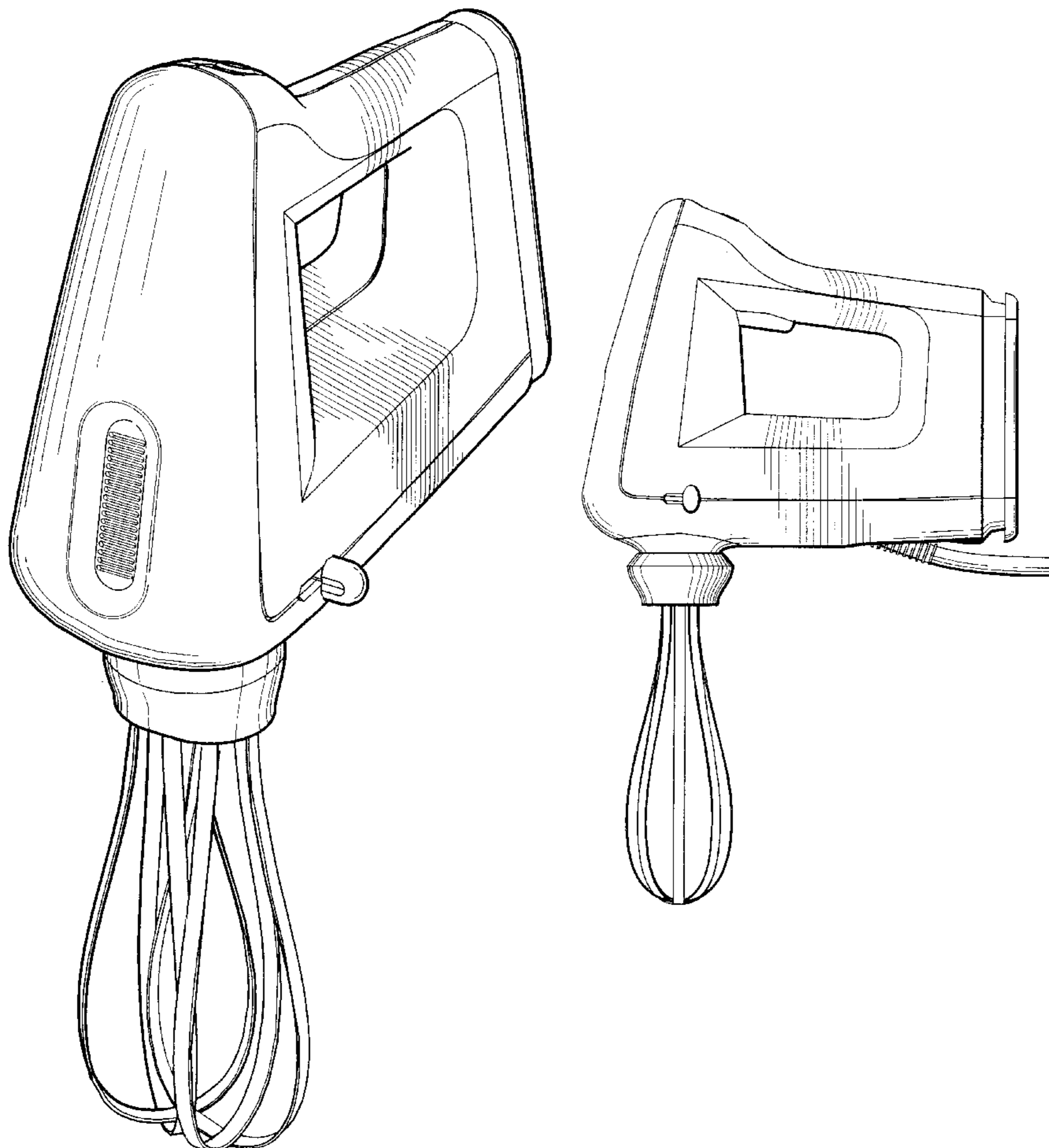
FIG. 2 is a right side elevational view thereof;

FIG. 3 is a left side elevational view thereof;

FIG. 4 is a front elevational view thereof; and,

FIG. 5 is a top plan view thereof.

1 Claim, 3 Drawing Sheets



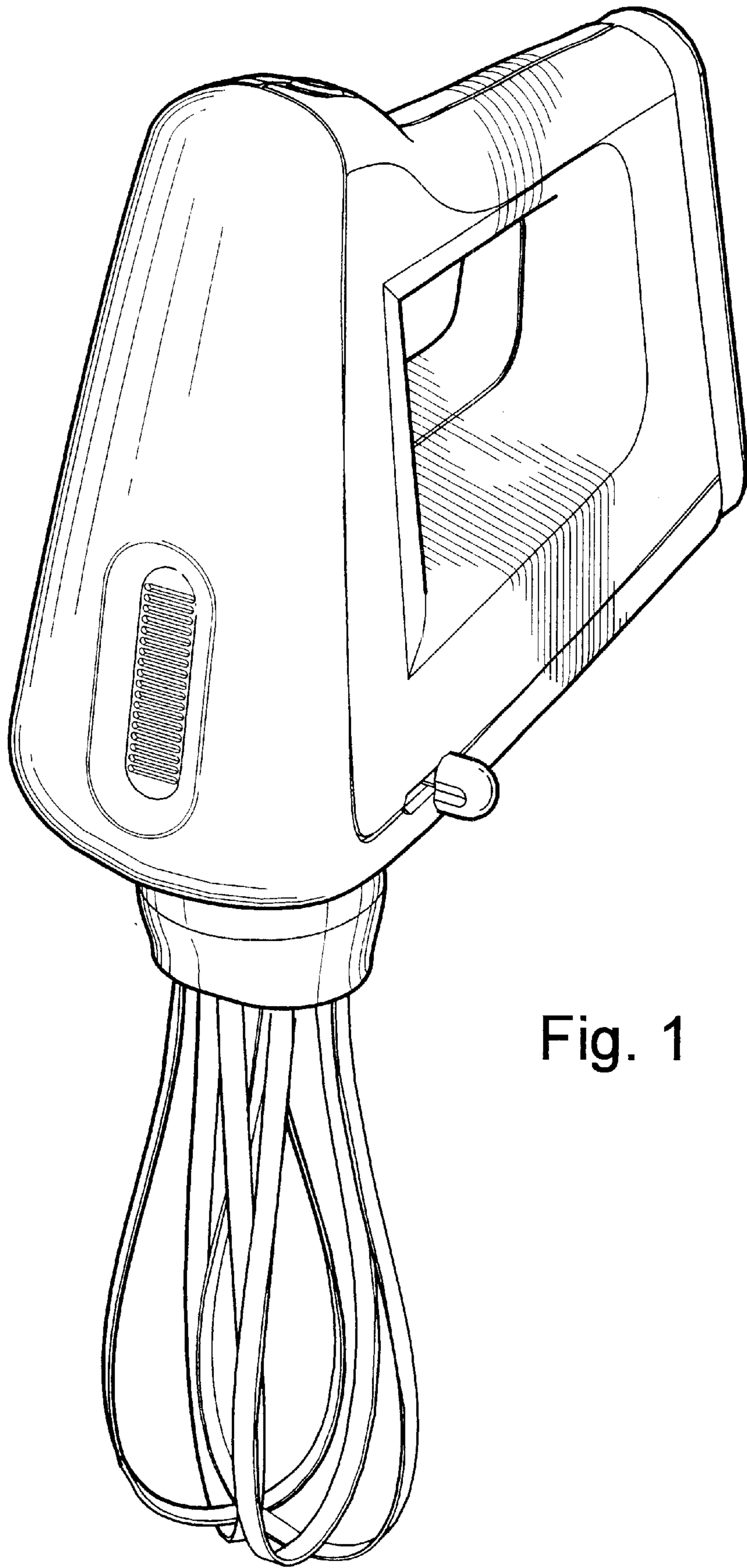


Fig. 1

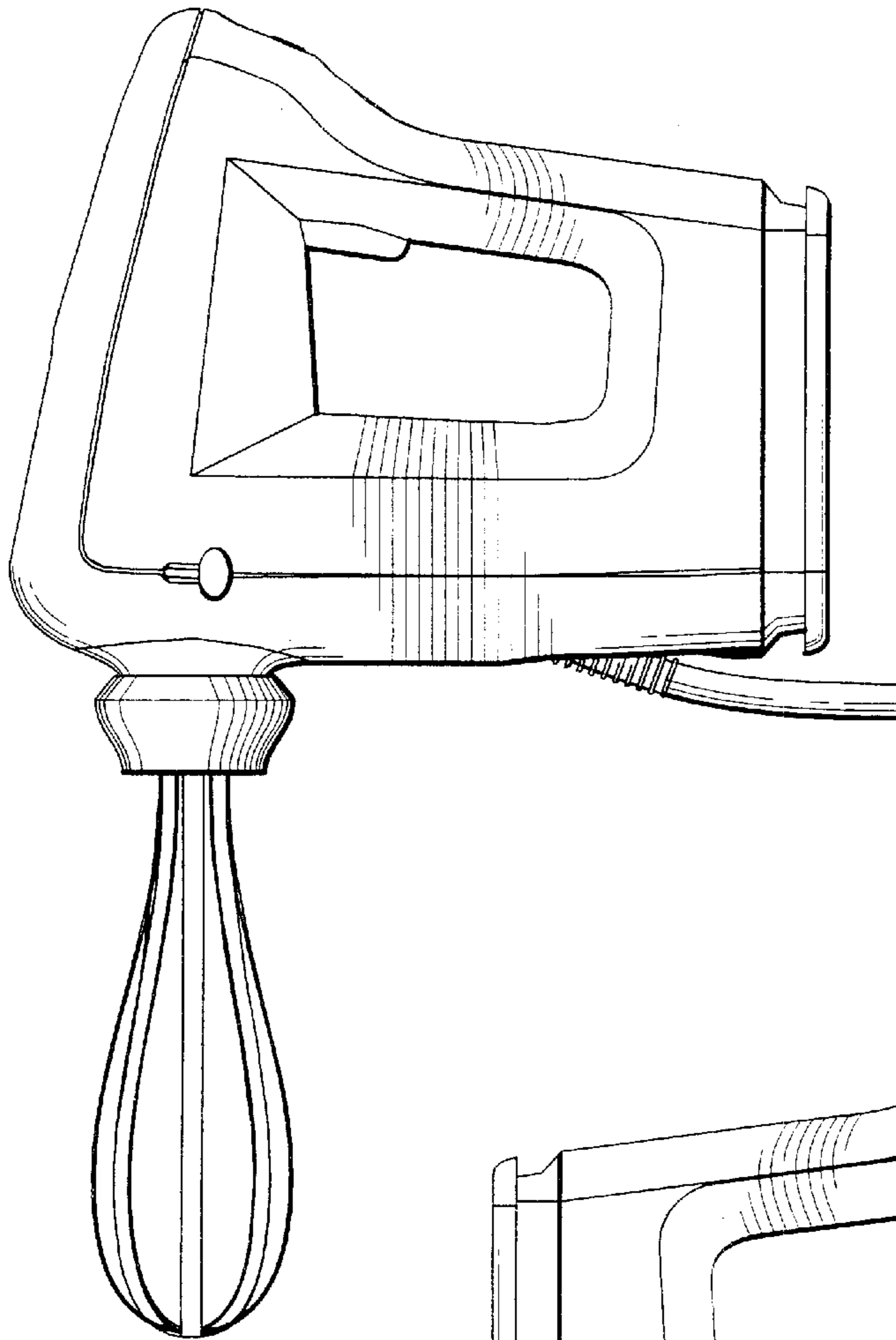


Fig. 2

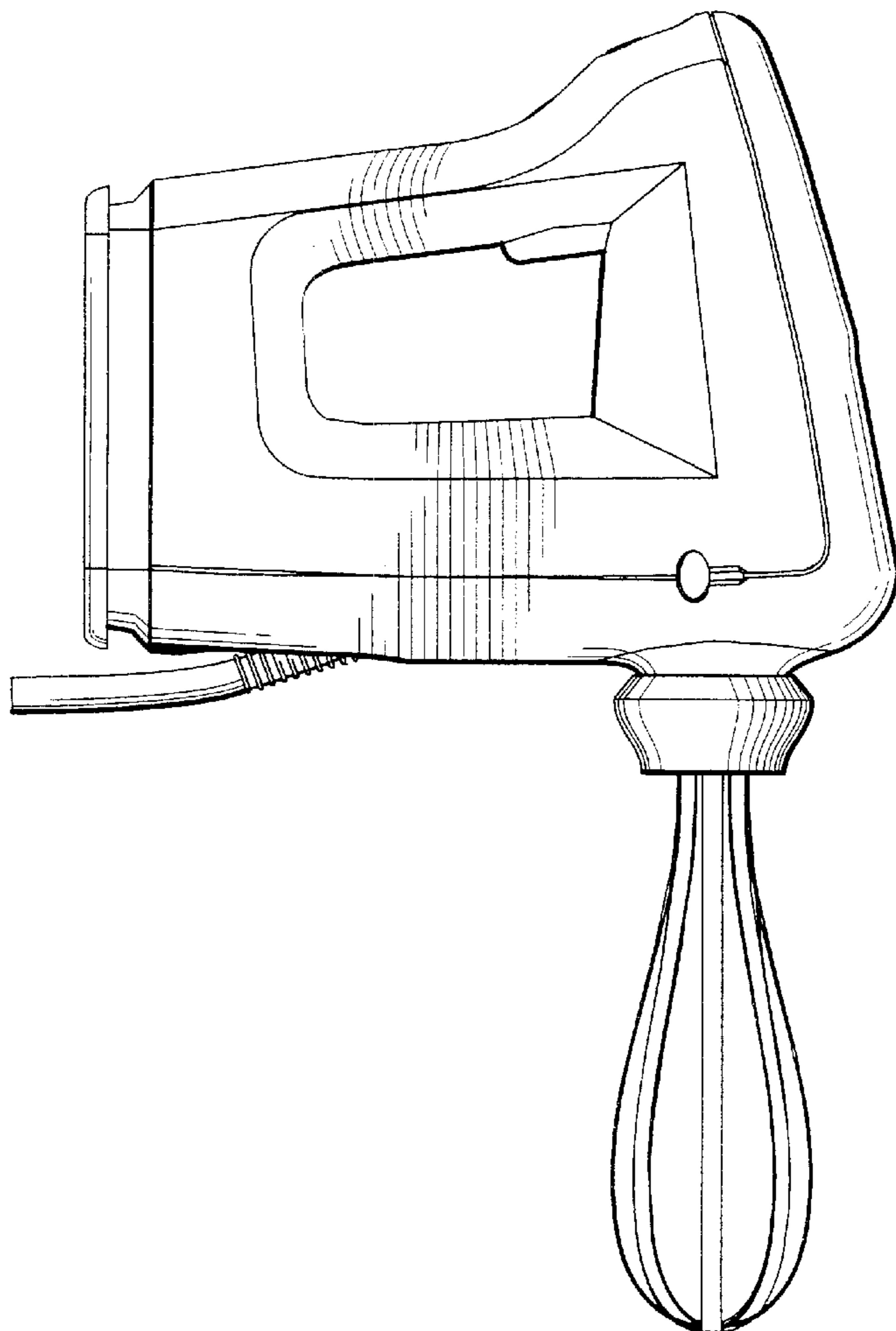


Fig. 3

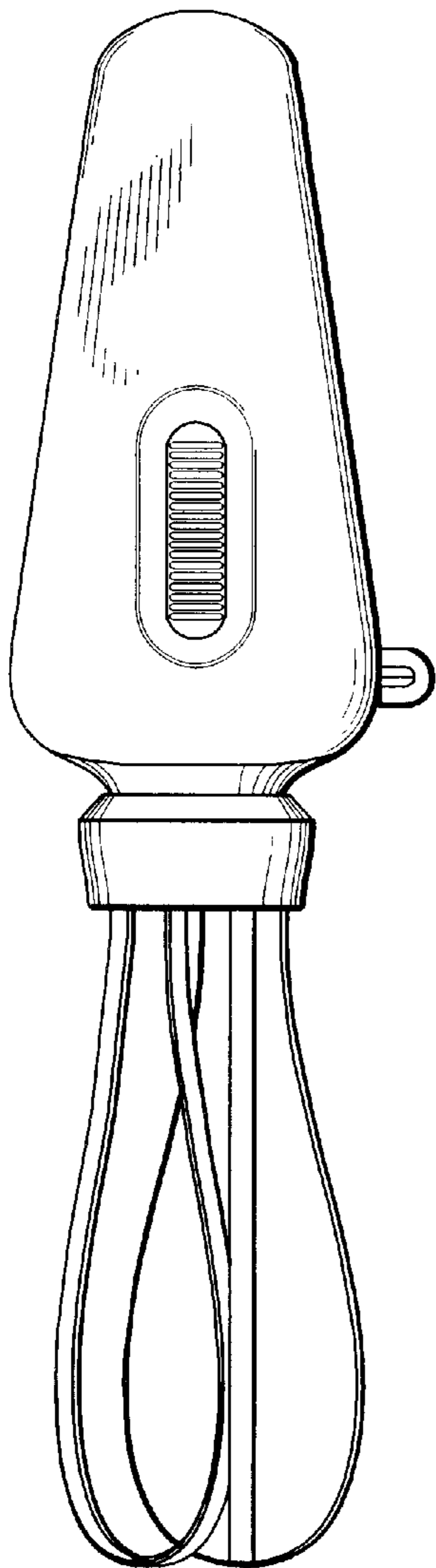


Fig. 4

Fig. 5

