



US00D465966S

(12) **United States Design Patent**
Daftari

(10) **Patent No.:** **US D465,966 S**

(45) **Date of Patent:** **** Nov. 26, 2002**

(54) **COTTON CANDY MACHINE**

(75) Inventor: **Parviz Daftari, Quebec (CA)**

(73) Assignee: **Rose Art Industries, Inc., Livingston, NJ (US)**

(**) Term: **14 Years**

(21) Appl. No.: **29/151,143**

(22) Filed: **Nov. 1, 2001**

(51) **LOC (7) Cl.** **31-00**

(52) **U.S. Cl.** **D7/368**

(58) **Field of Search** **D7/368-379, 386, D7/412-415; 425/8, 9**

(56) **References Cited**

U.S. PATENT DOCUMENTS

D69,199 S	*	1/1926	Brent	D7/368
4,793,782 A	*	12/1988	Sullivan	425/9 X
4,872,821 A	*	10/1989	Weiss	425/9
D306,389 S	*	3/1990	Nasui et al.	D7/368
5,498,144 A	*	3/1996	Francis et al.	425/9
D383,642 S	*	9/1997	Feil	D7/376

* cited by examiner

Primary Examiner—Terry A. Wallace

(74) *Attorney, Agent, or Firm*—Allen N. Friedman; McCarter & English LLP.

(57) **CLAIM**

The ornamental design for a cotton candy machine, as shown and described.

DESCRIPTION

FIG. 1 is a perspective view of a cotton candy machine, showing my new design;
 FIG. 2 is a front elevational view of a cotton candy machine;
 FIG. 3 is a rear elevational view of a cotton candy machine;
 FIG. 4 is a left side elevational view of a cotton candy machine;
 FIG. 5 is a top plan view of a cotton candy machine;
 FIG. 6 is a bottom view of a cotton candy machine;
 FIG. 7 is a perspective view of a cotton candy machine, with its collecting bowl in place;
 FIG. 8 is a front elevational view of a cotton candy machine with its collecting bowl in place;
 FIG. 9 is a rear elevational view of a cotton candy machine with its collecting bowl in place;
 FIG. 10 is a left side elevational view of a cotton candy machine with its collecting bowl in place;
 FIG. 11 is a top plan view of a cotton candy machine with its collecting bowl in place; and,
 FIG. 12 is a bottom view of a cotton candy machine with its collecting bowl in place.

The bowl is shown removed in FIGS. 1-6 for clarity of illustration.

1 Claim, 10 Drawing Sheets

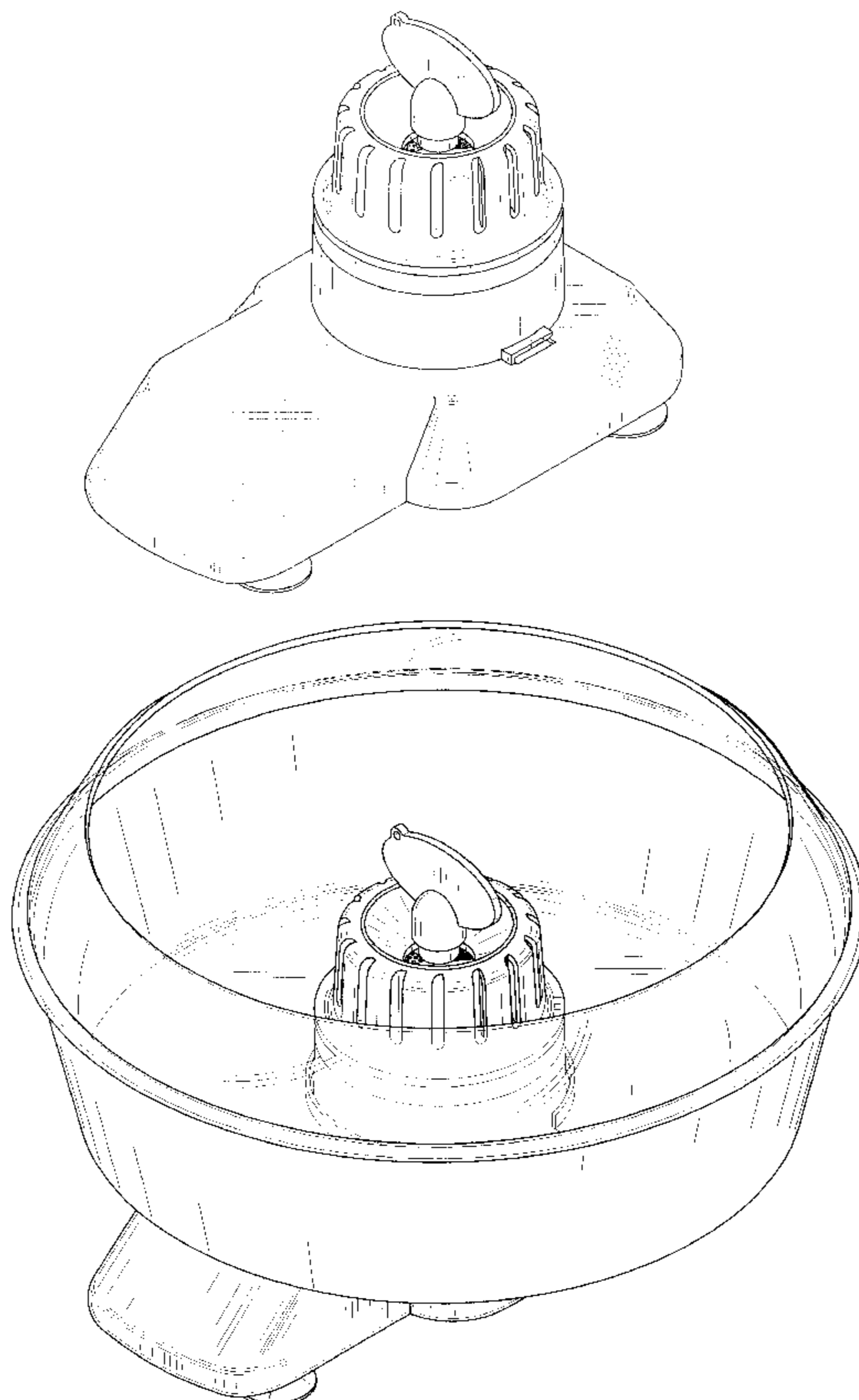


FIG. 1

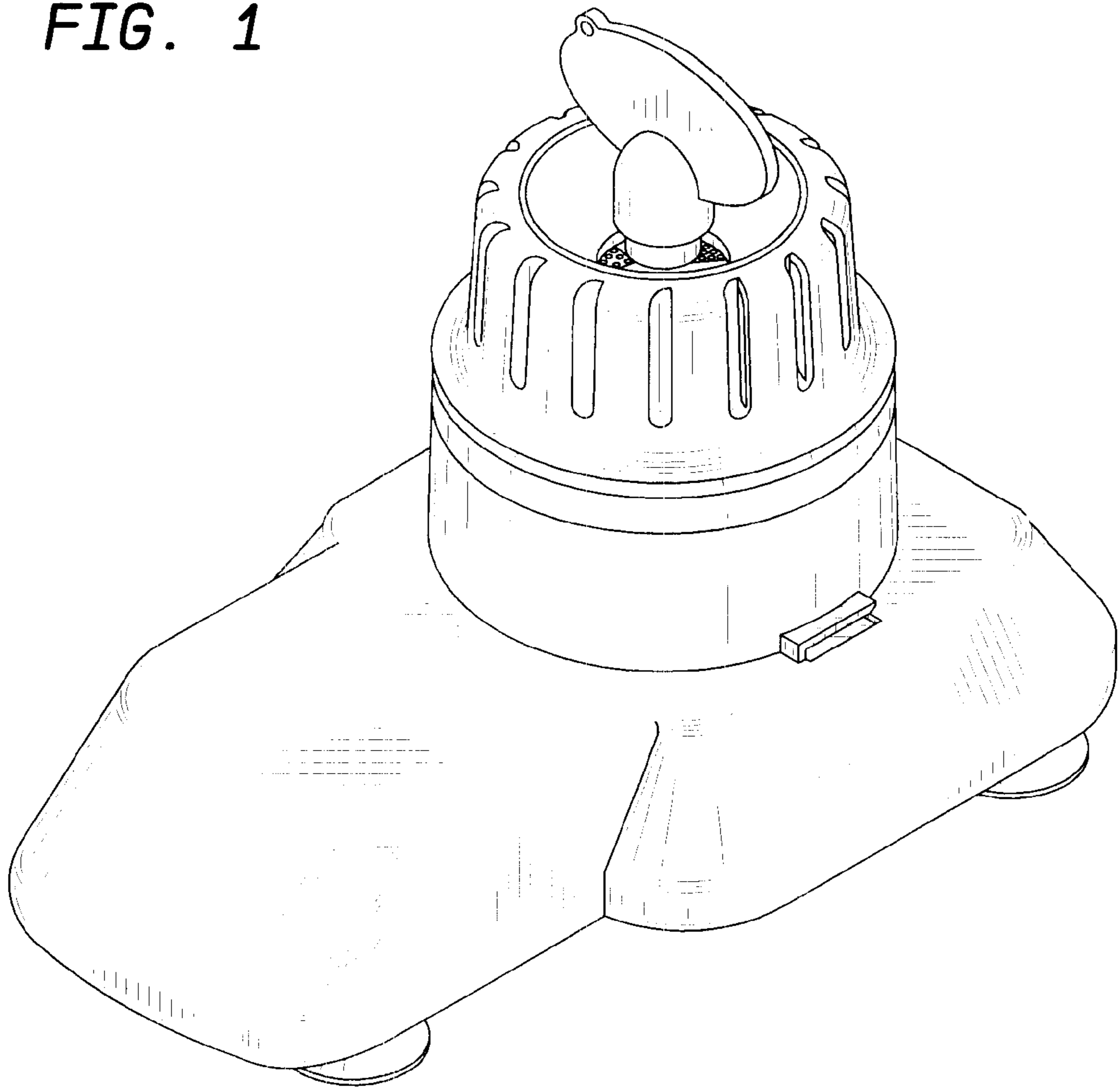


FIG. 2

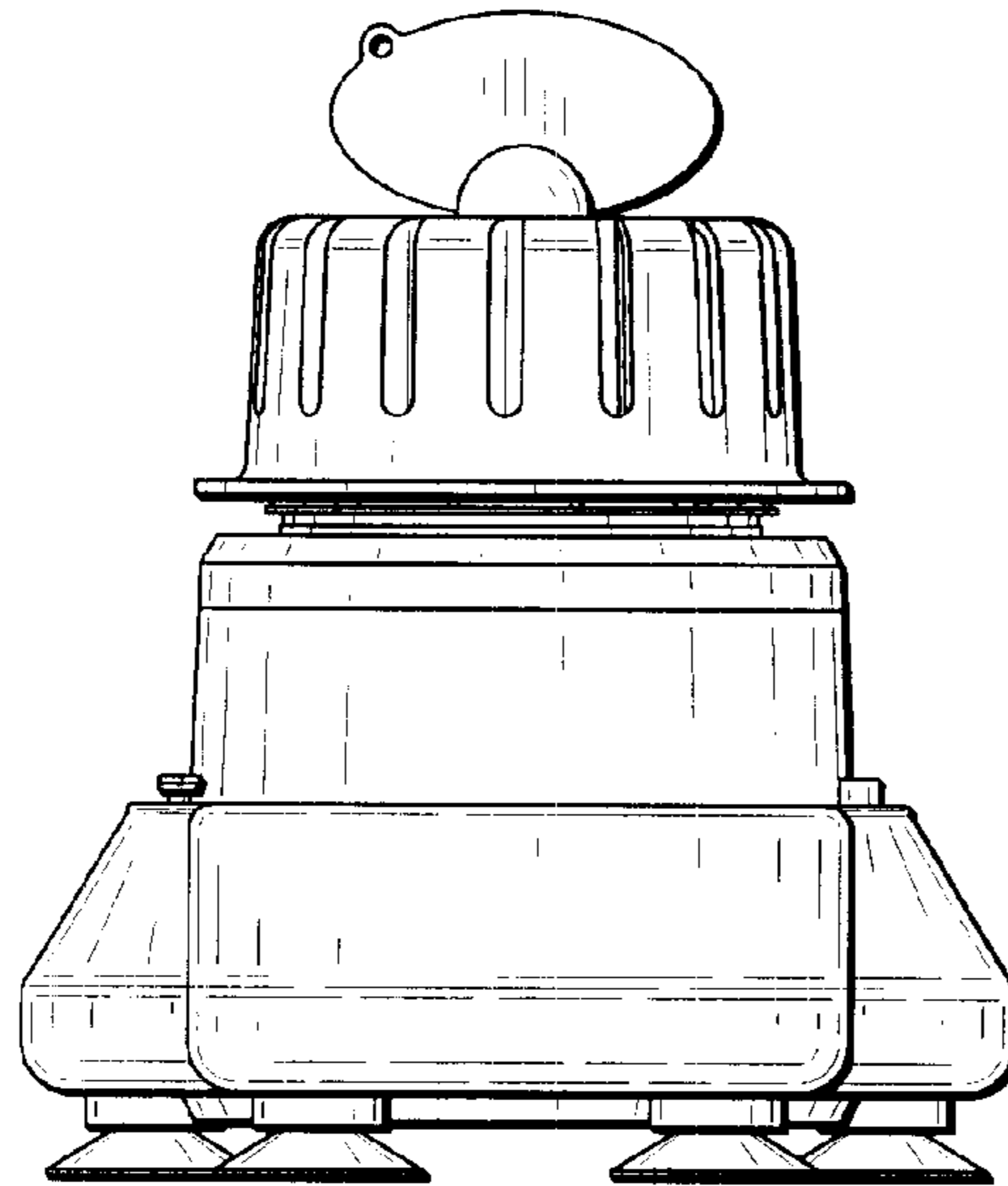


FIG. 3

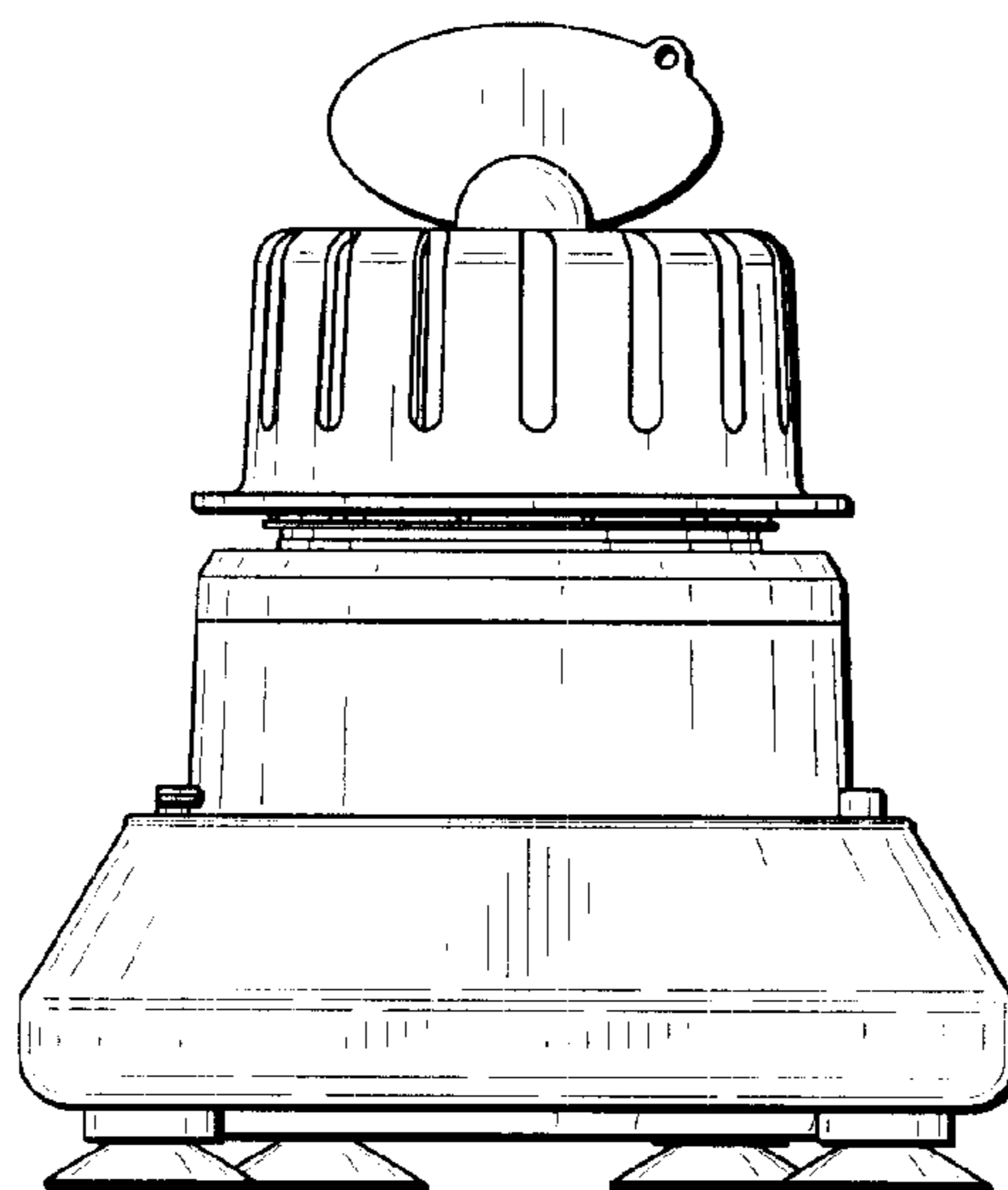


FIG. 4

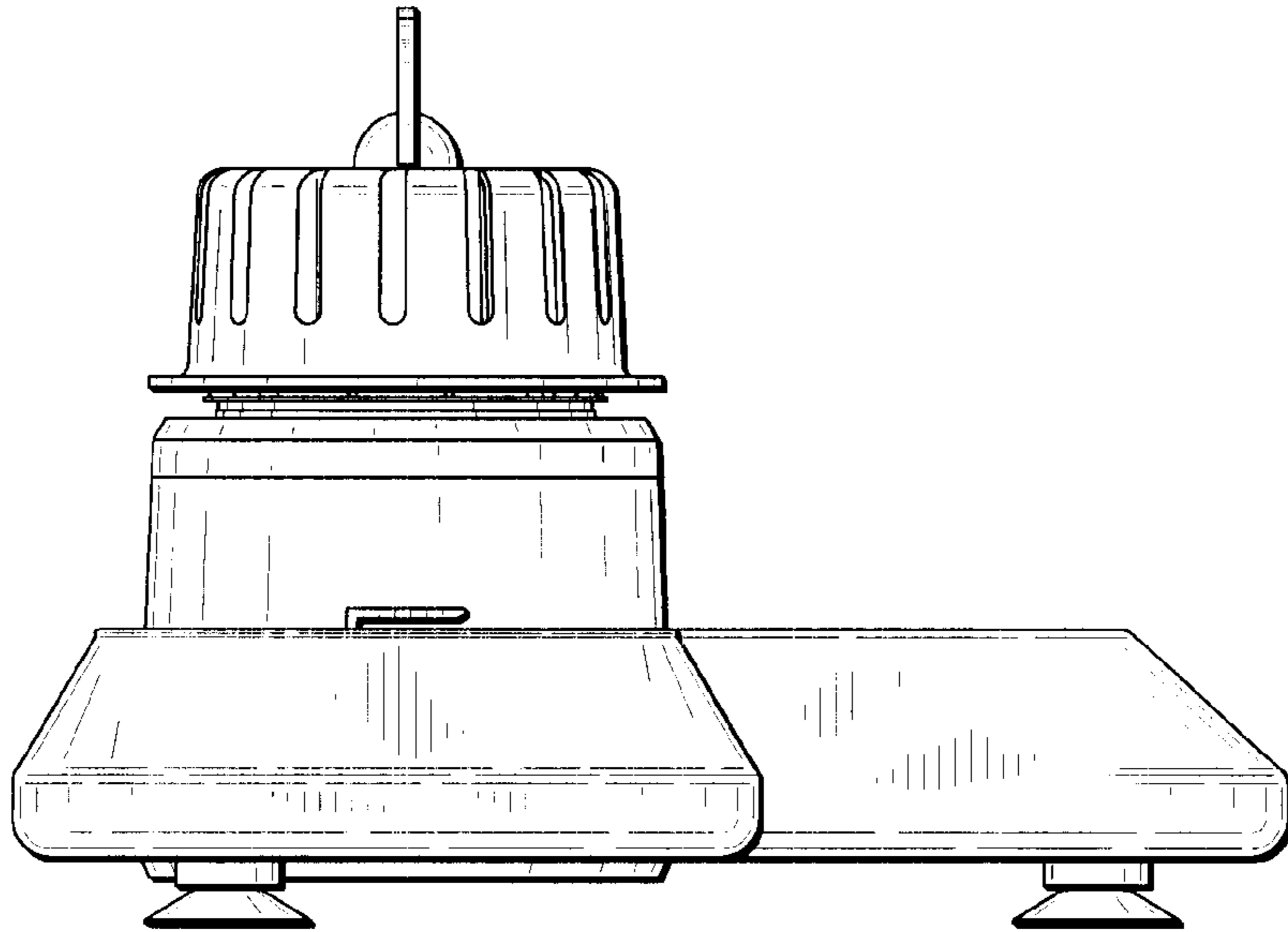


FIG. 5

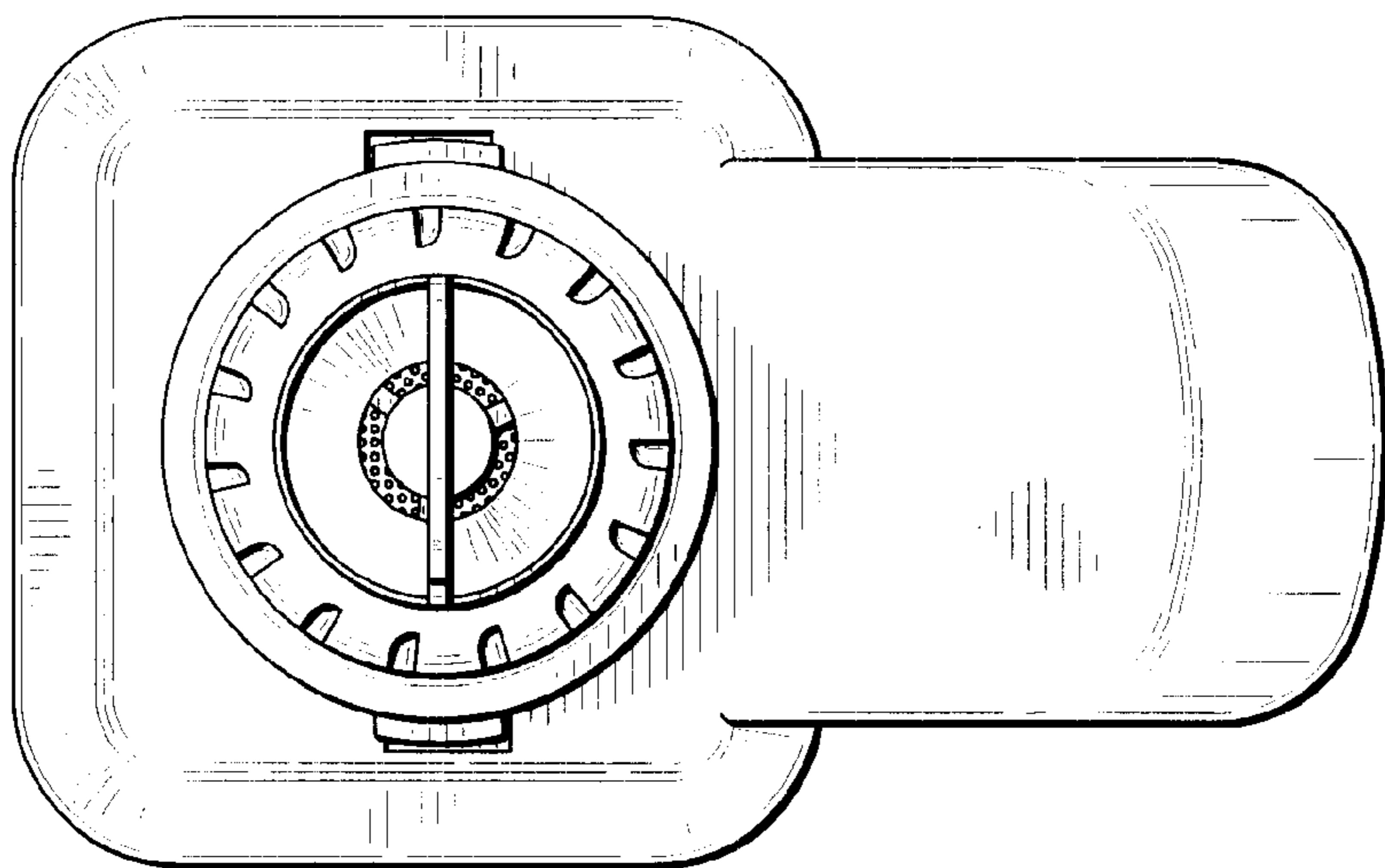


FIG. 6

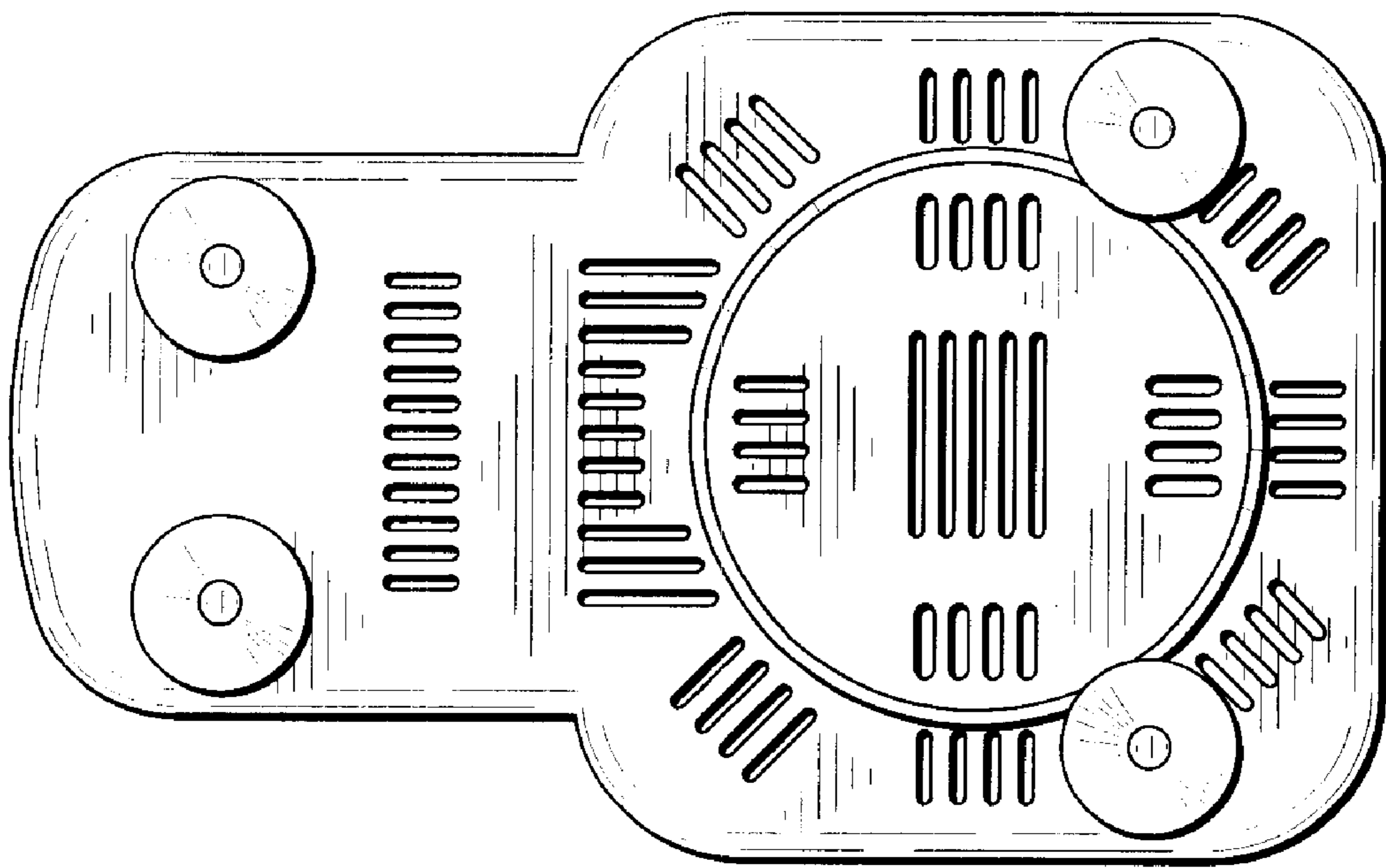


FIG. 7

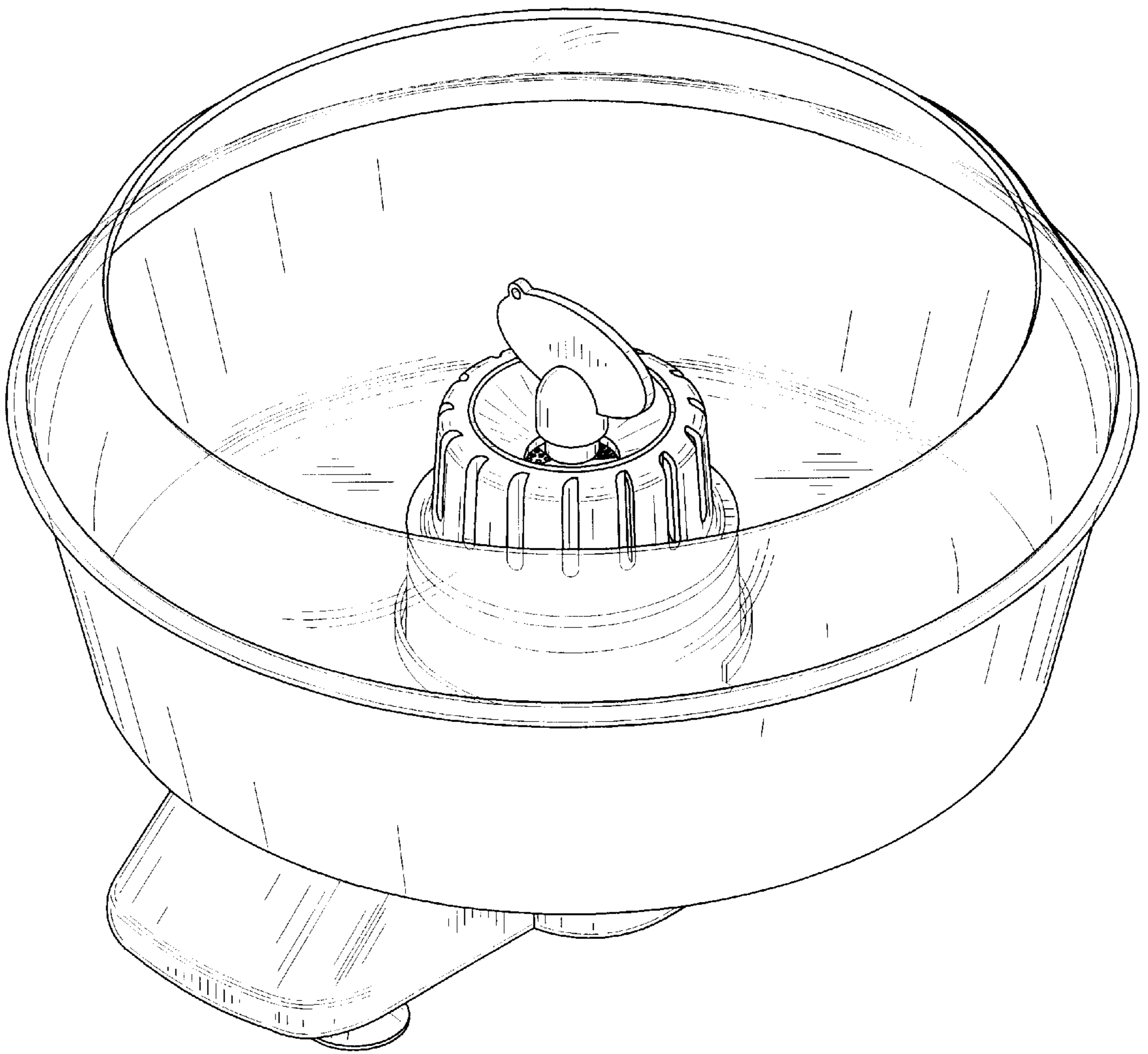


FIG. 8

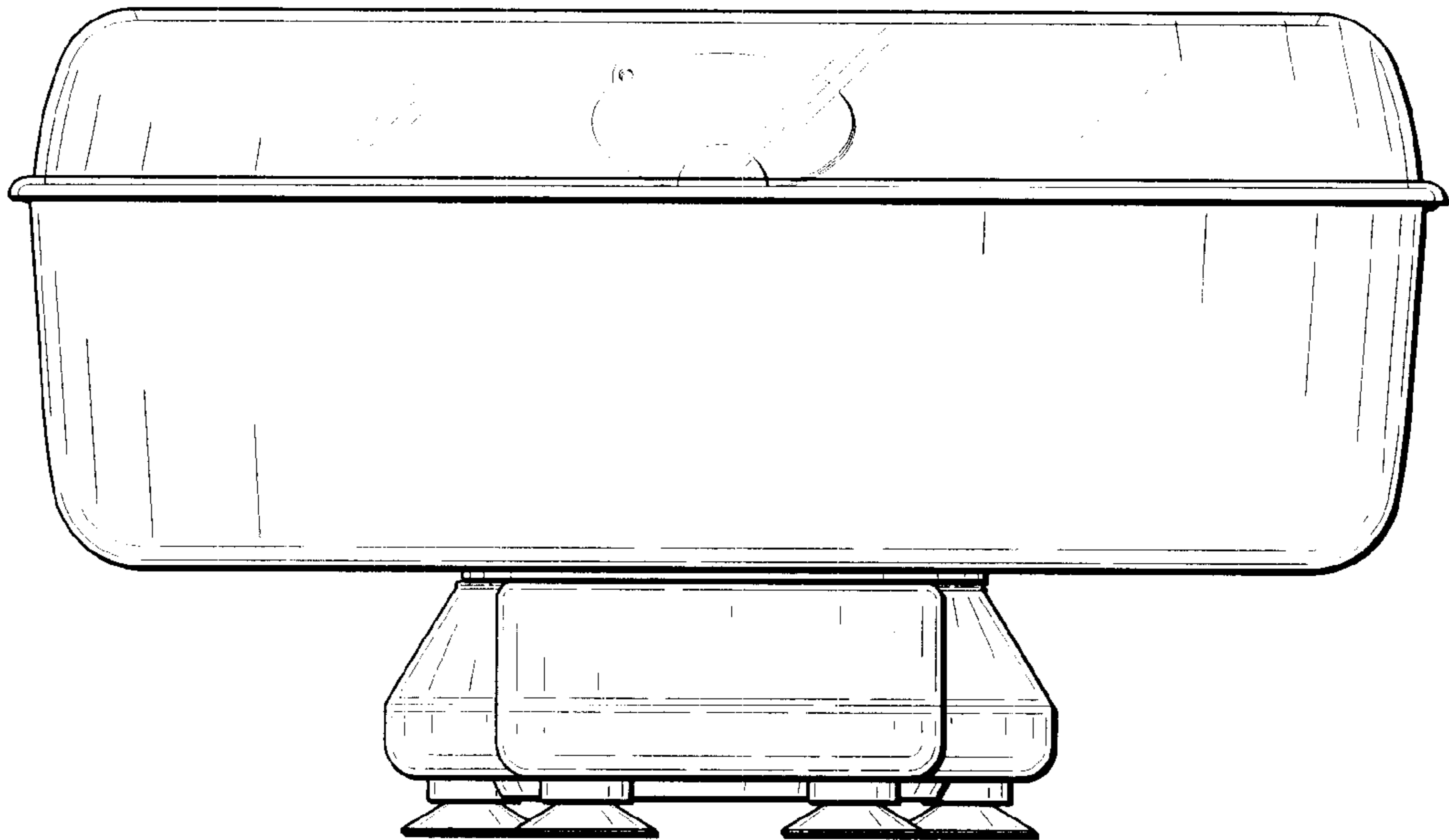


FIG. 9

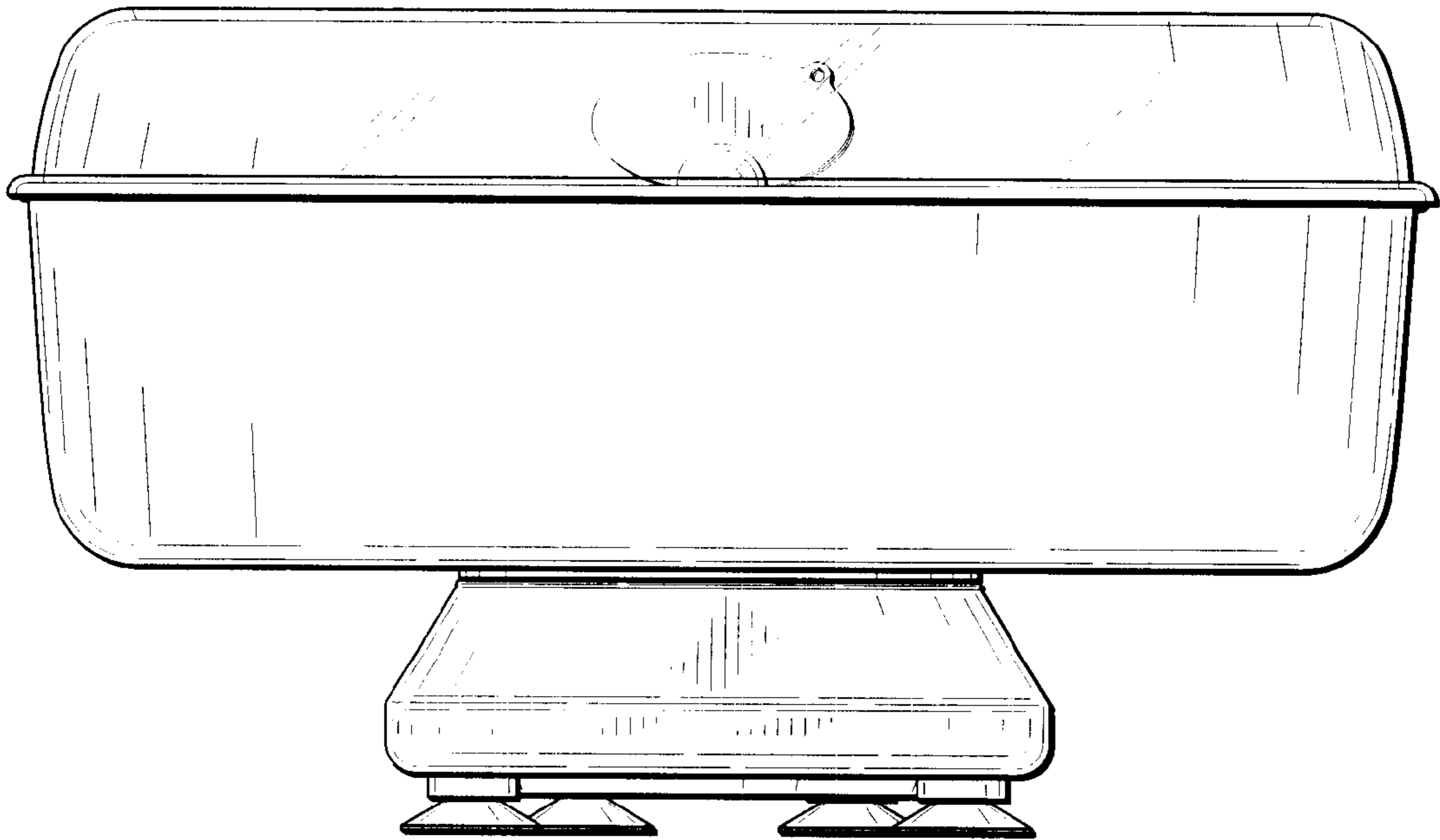


FIG. 10

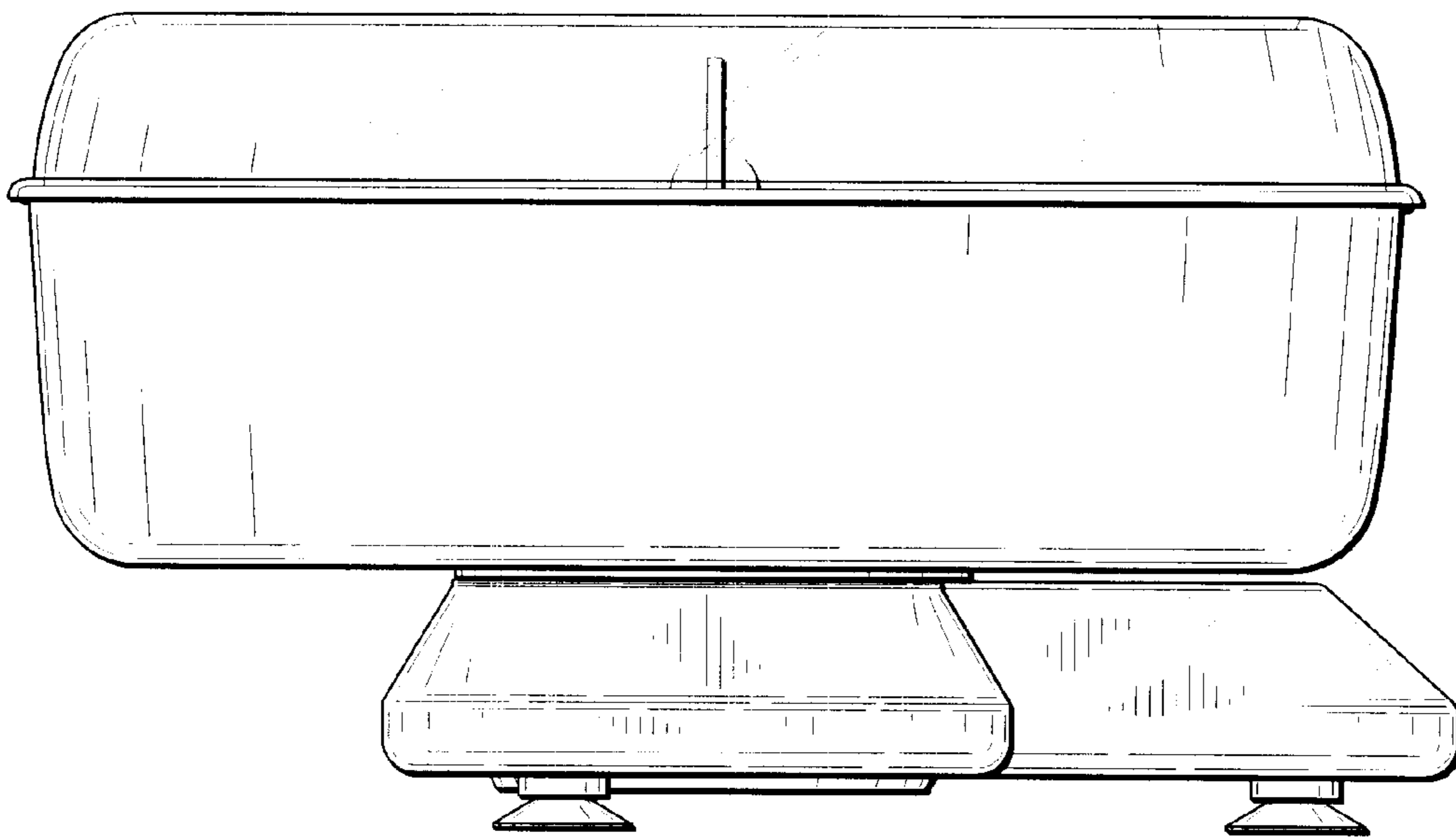


FIG. 11

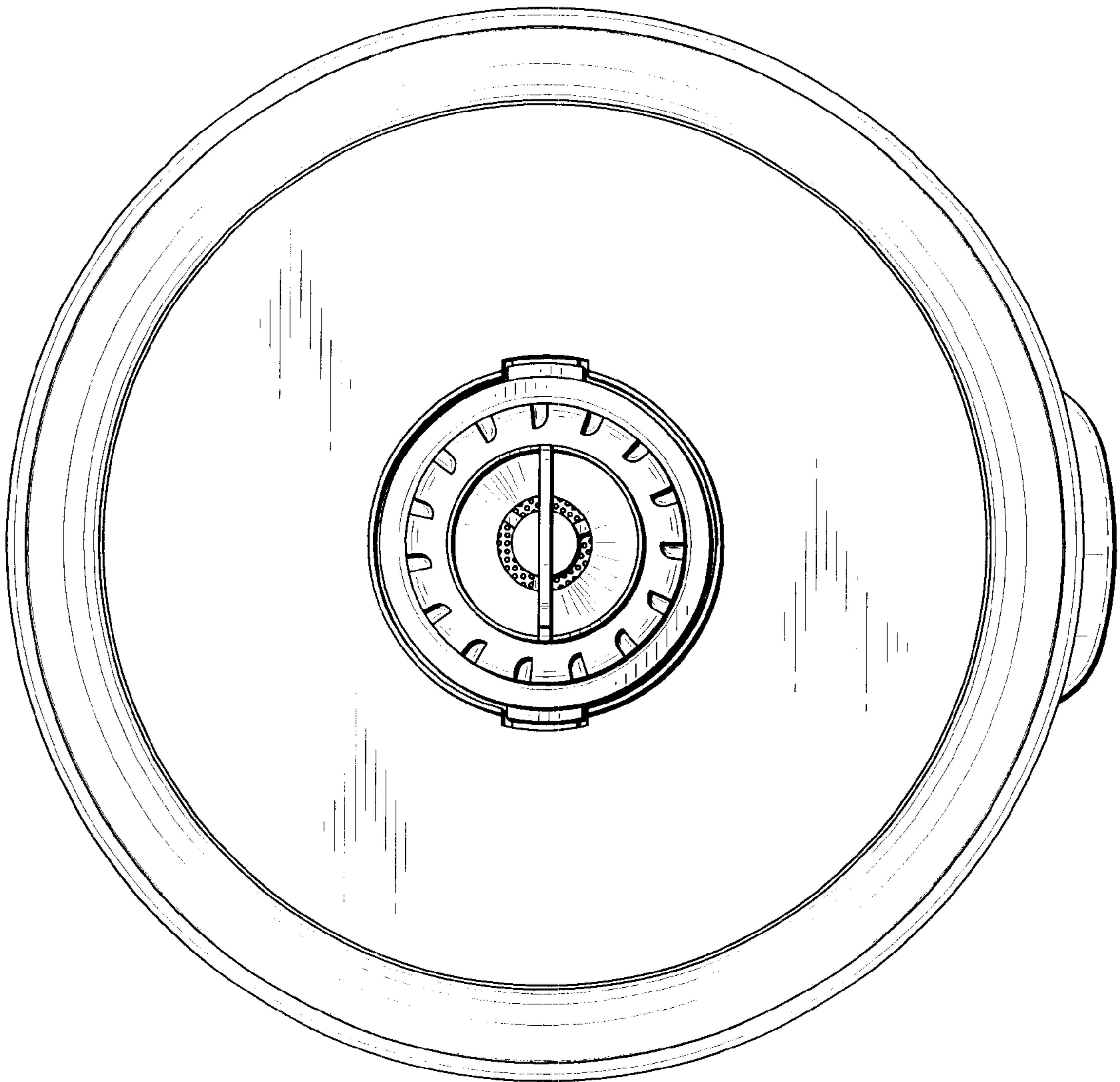


FIG. 12

