



US00D465965S

(12) **United States Design Patent**
Dalton et al.

(10) **Patent No.:** **US D465,965 S**

(45) **Date of Patent:** **** Nov. 26, 2002**

(54) **WAFFLE MAKER**

(75) Inventors: **Jonathan Dalton**, Portland, OR (US);
Michael T. Seum, St. Joseph, MI (US);
Philip Michael Thompson, St. Joseph,
MI (US); **Aaron Hayes**, Portland, OR
(US); **James Owen**, Portland, OR (US);
Jamian Cobbett, Portland, OR (US)

(73) Assignee: **Whirlpool Corporation**, Benton
Harbor, MI (US)

(**) Term: **14 Years**

(21) Appl. No.: **29/155,303**

(22) Filed: **Feb. 7, 2002**

(51) **LOC (7) Cl.** **07-02**

(52) **U.S. Cl.** **D7/352**

(58) **Field of Search** D7/323, 328, 337,
D7/352, 353, 362, 363, 367; 99/324, 325,
332, 339, 340, 349, 372, 376-378

(56) **References Cited**

U.S. PATENT DOCUMENTS

D157,463 S * 2/1950 Alexander D7/352

D164,258 S * 8/1951 Oertli D7/352
D276,208 S * 11/1984 LaDuca et al. D7/352
4,803,918 A * 2/1989 Carbon et al. 99/377
5,636,564 A * 6/1997 Weiss 99/332
6,167,796 B1 * 1/2001 Wright et al. 99/332

* cited by examiner

Primary Examiner—Caron D. Veynar

(74) *Attorney, Agent, or Firm*—Robert O. Rice; Stephen D.
Krefman; Thomas J. Roth

(57) **CLAIM**

The ornamental design for a waffle maker, as shown and
described.

DESCRIPTION

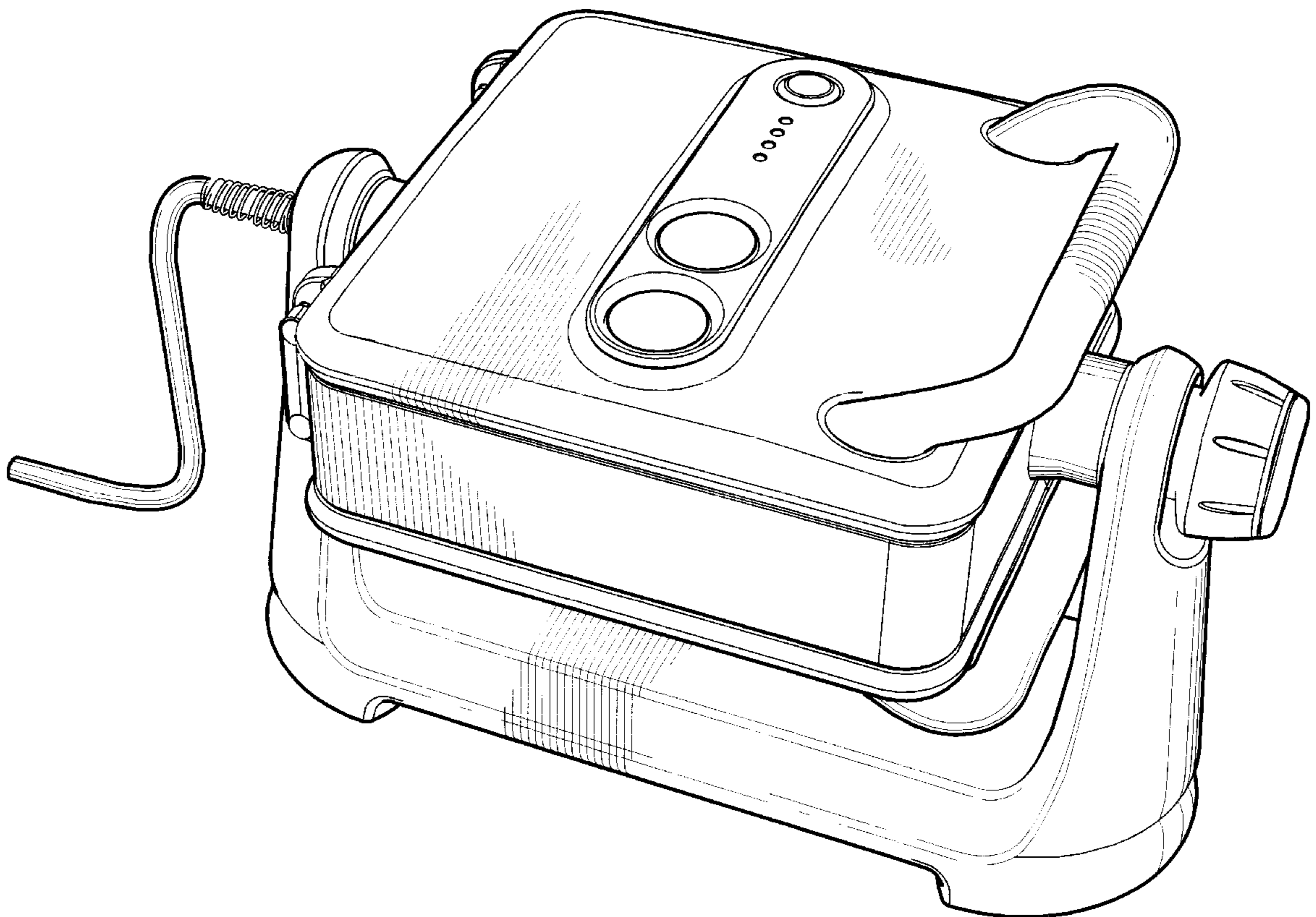
FIG. 1 is a front perspective view of the design of the present
invention.

FIG. 2 is a left side elevational view thereof;

FIG. 3 is a right side elevational view thereof; and,

FIG. 4 is a front elevational view thereof.

1 Claim, 4 Drawing Sheets



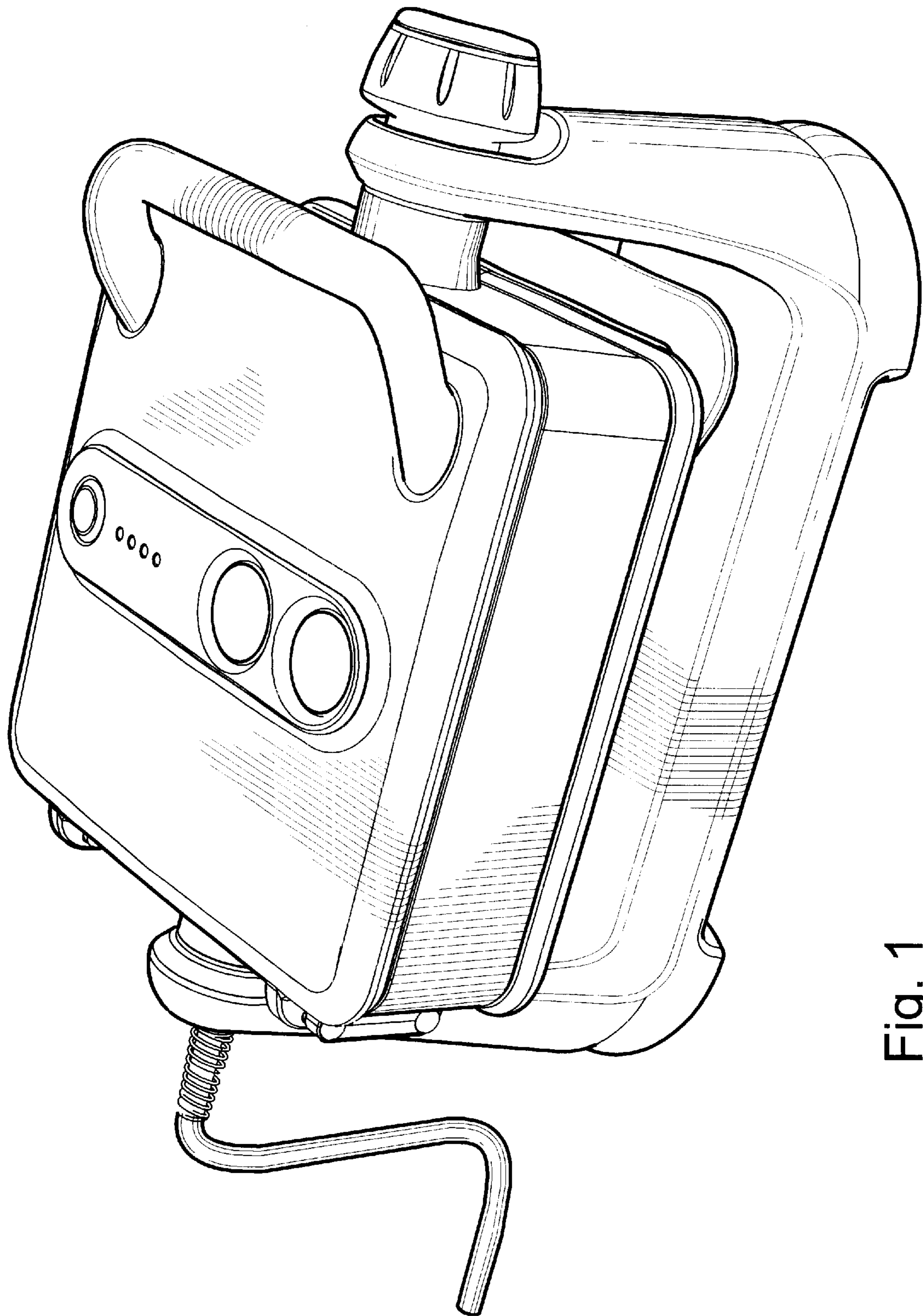


Fig. 1

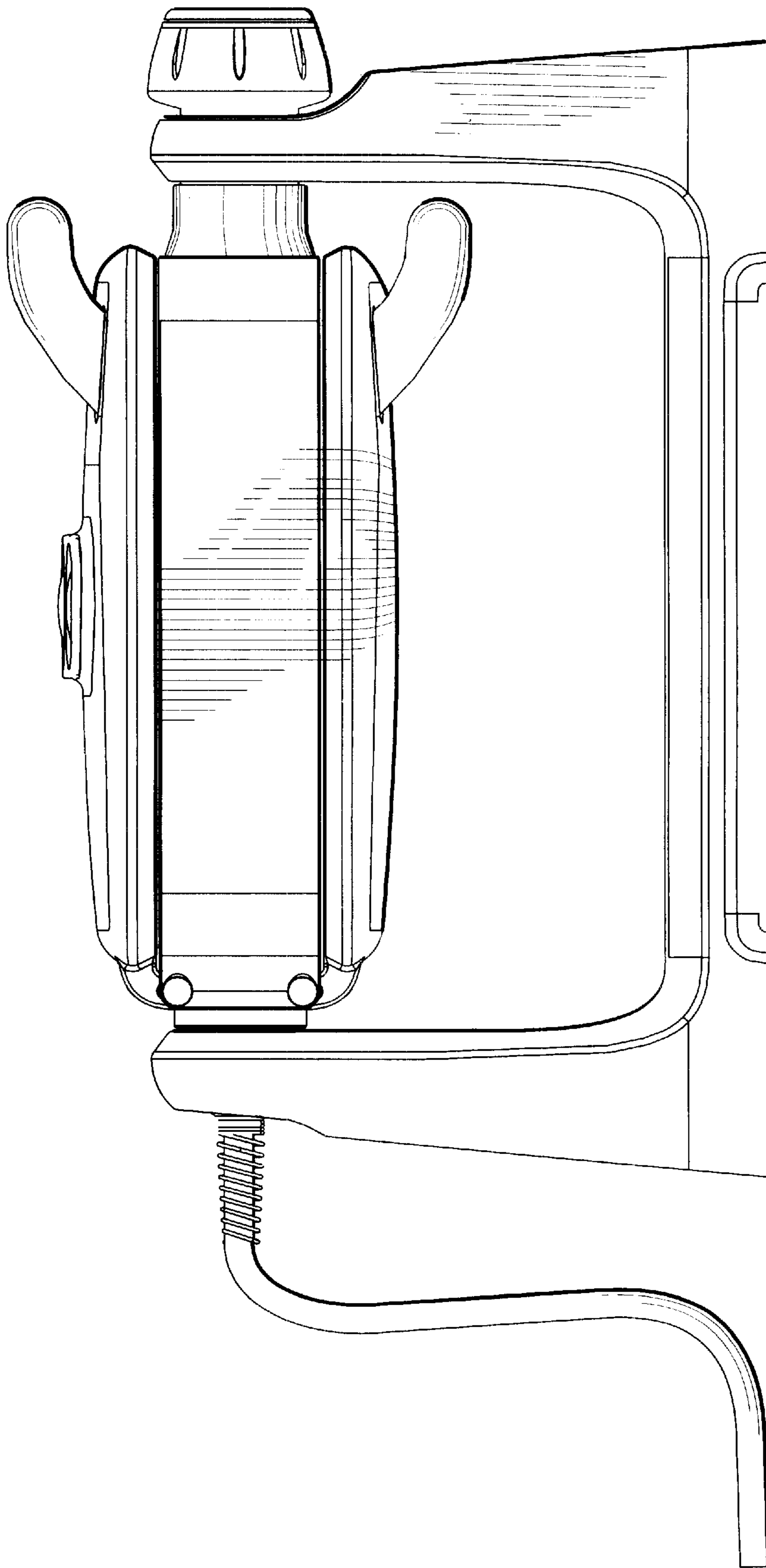


Fig. 2

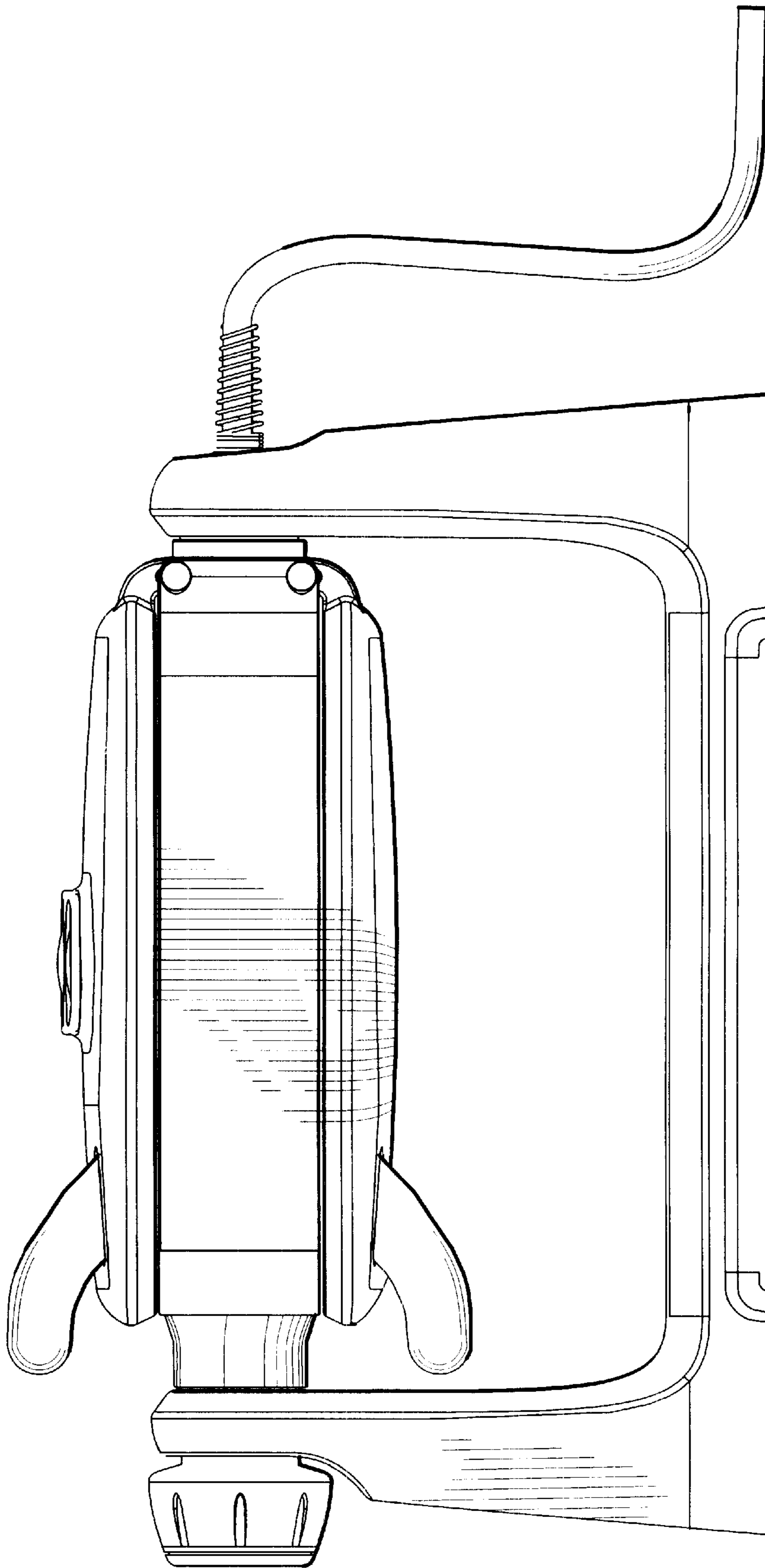


Fig. 3

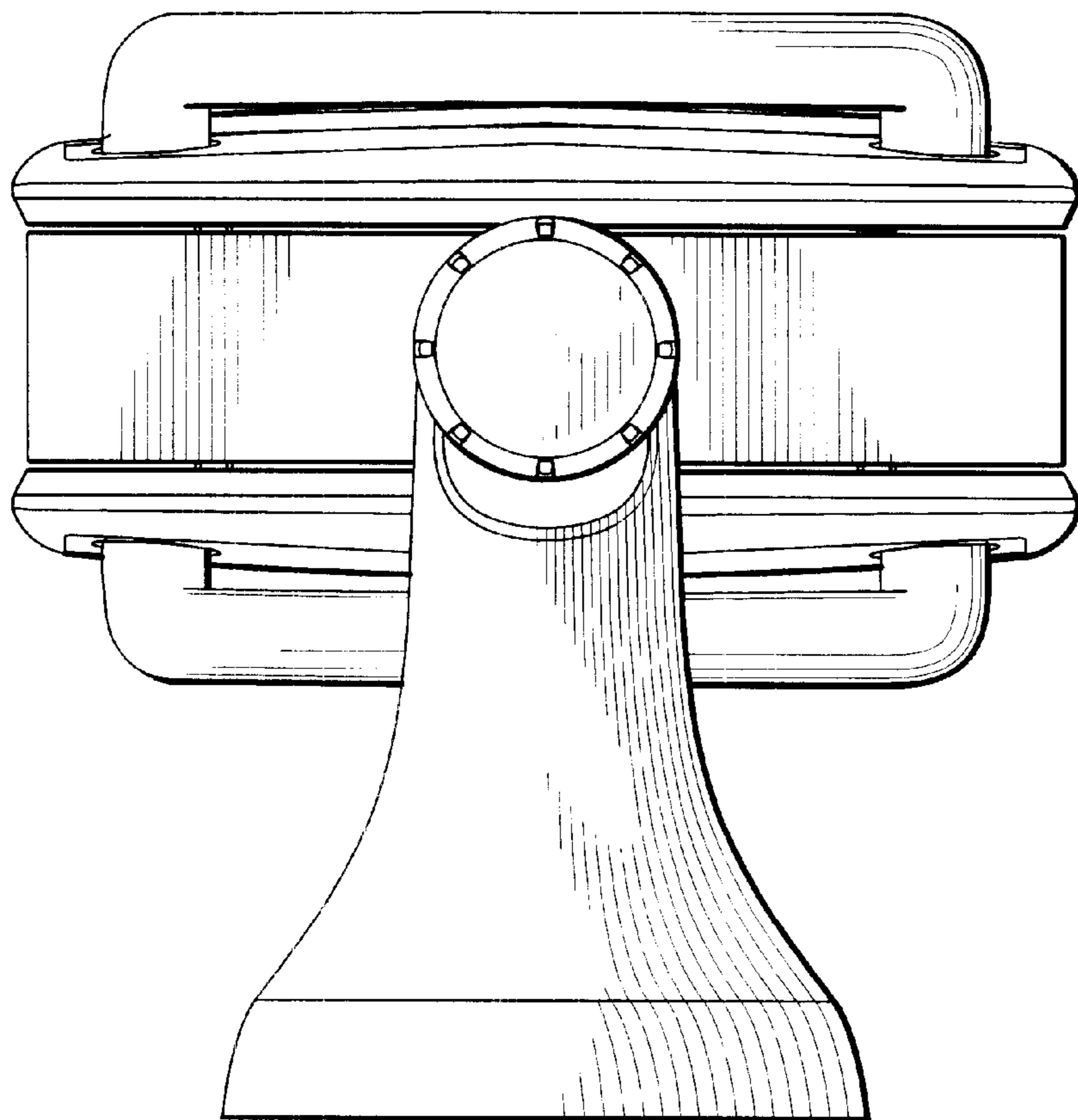


Fig. 4