



US00D465963S

(12) **United States Design Patent**
Taira

(10) **Patent No.:** **US D465,963 S**

(45) **Date of Patent:** **** Nov. 26, 2002**

(54) **MICROWAVE OVEN**

D429,945 S * 8/2000 Noda et al. D7/351

D433,268 S * 11/2000 Taira D7/351

D433,269 S * 11/2000 Taira D7/351

(75) Inventor: **Tomoki Taira**, Osaka-fu (JP)

(73) Assignee: **Sharp Kabushiki Kaisha**, Osaka (JP)

* cited by examiner

(**) Term: **14 Years**

Primary Examiner—Ruth McInroy

(21) Appl. No.: **29/138,938**

(74) *Attorney, Agent, or Firm*—Nixon & Vanderhye

(22) Filed: **Mar. 13, 2001**

(57) **CLAIM**

The ornamental design for a microwave oven, as shown and described.

Related U.S. Application Data

(63) Continuation of application No. 29/121,592, filed on Apr. 11, 2000, now abandoned.

DESCRIPTION

(30) **Foreign Application Priority Data**

Oct. 12, 1999 (JP) 11-27974

FIG. 1 is a top, front and right side perspective view of a microwave oven showing my new design;

(51) **LOC (7) Cl.** **07-02**

FIG. 2 is a top plan view thereof;

(52) **U.S. Cl.** **D7/351**

FIG. 3 is a front elevational view thereof;

(58) **Field of Search** D7/350.1–350.4,
D7/351, 402, 405, 323; 126/273 R, 273 A,
275 R, 275 E, 19 M, 21 A, 21 R; 219/678,
680, 756–758

FIG. 4 is a left side elevational view thereof;

FIG. 5 is a right side elevational view thereof;

FIG. 6 is a rear elevational view thereof; and,

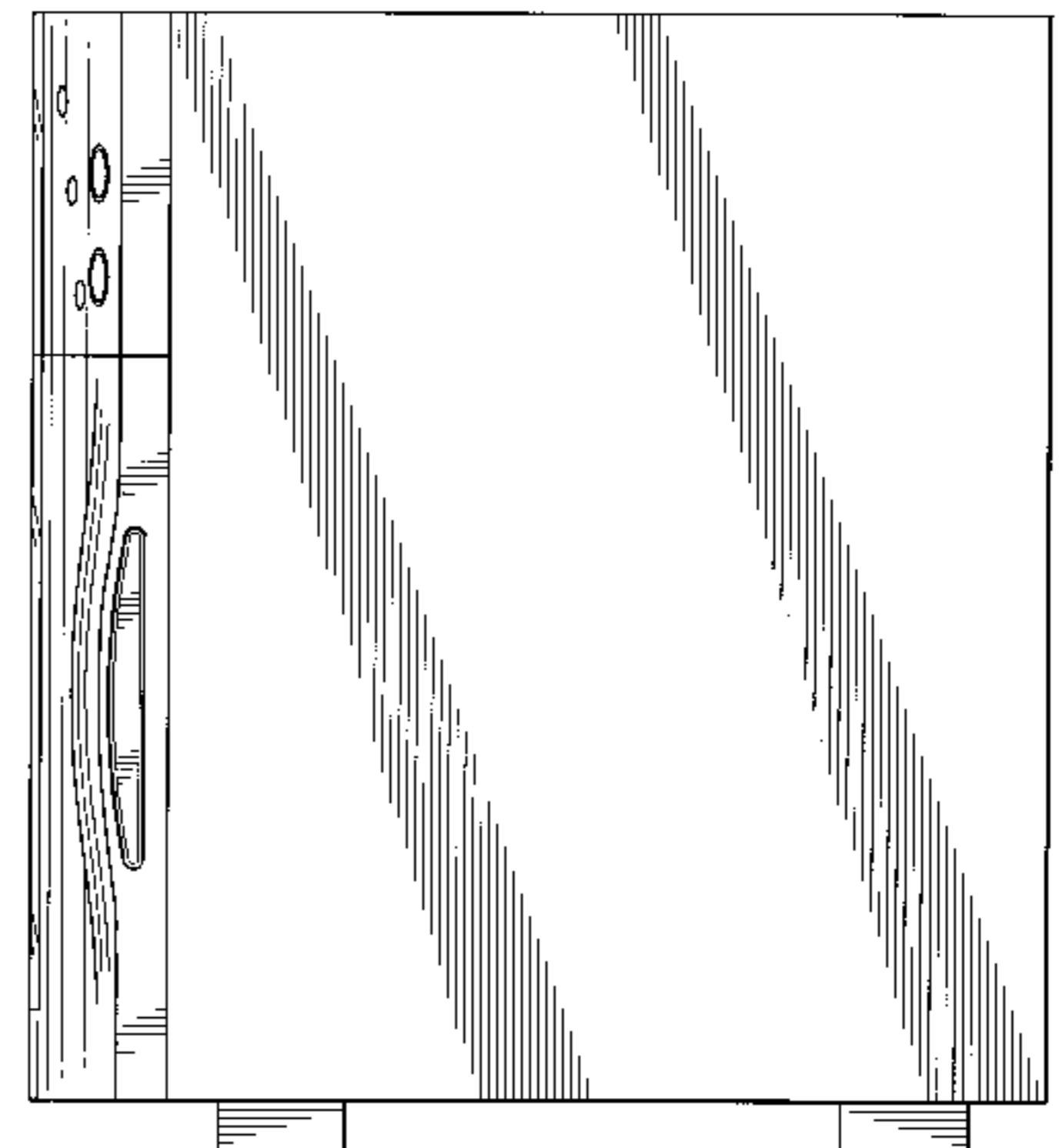
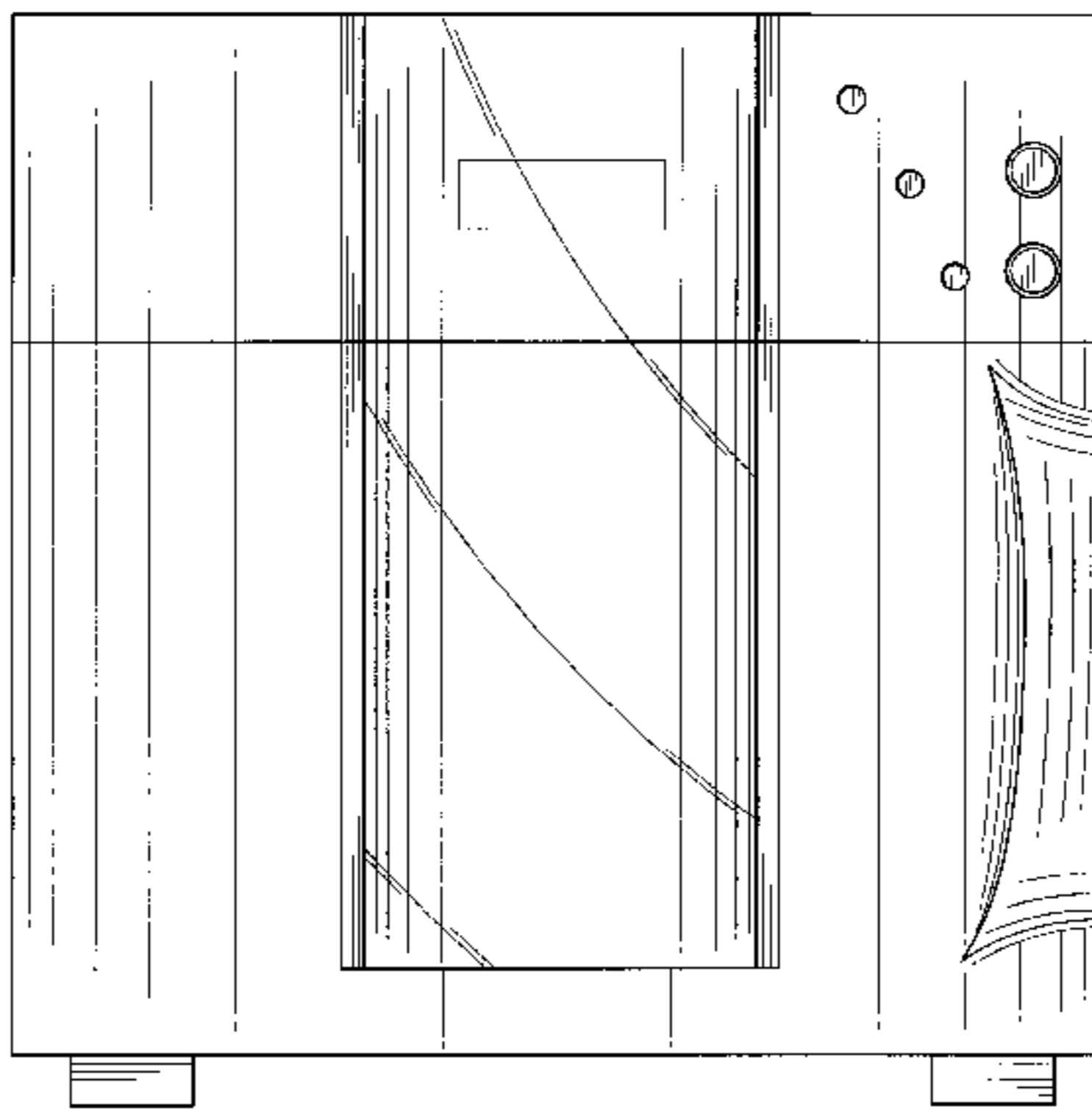
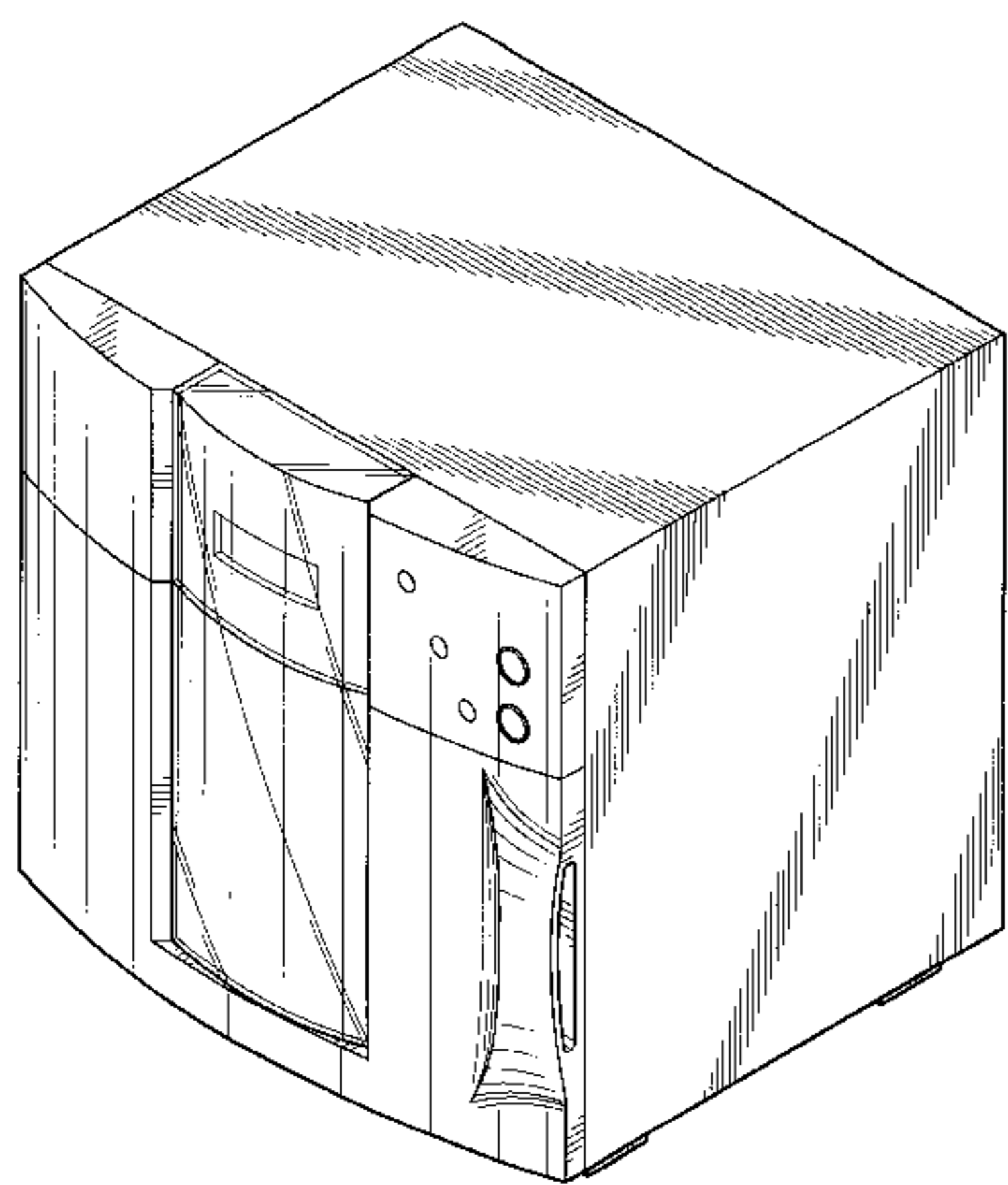
FIG. 7 is a bottom plan view thereof.

(56) **References Cited**

U.S. PATENT DOCUMENTS

D380,644 S * 7/1997 Tsuda et al. D7/351

1 Claim, 7 Drawing Sheets



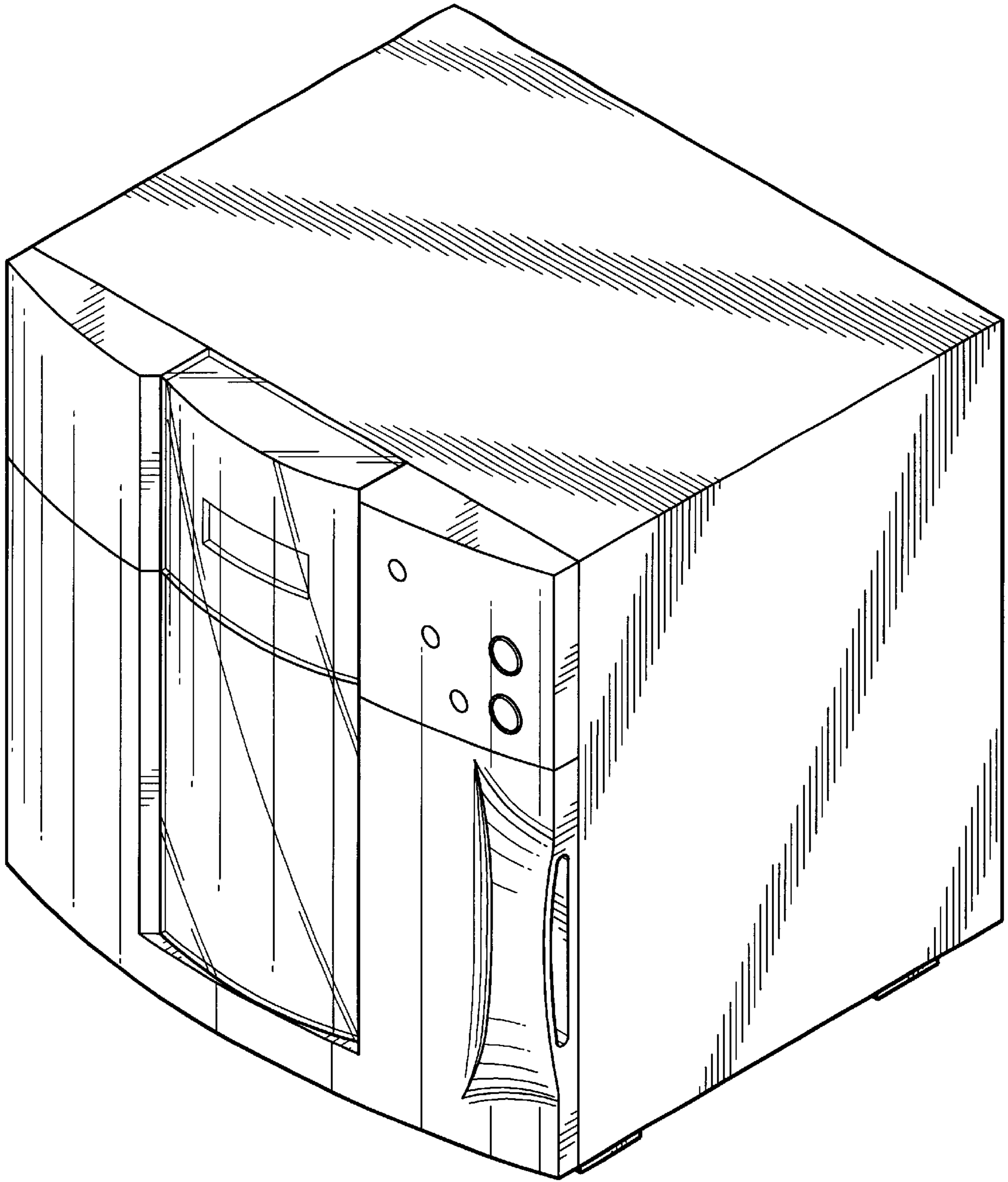


FIG. 1

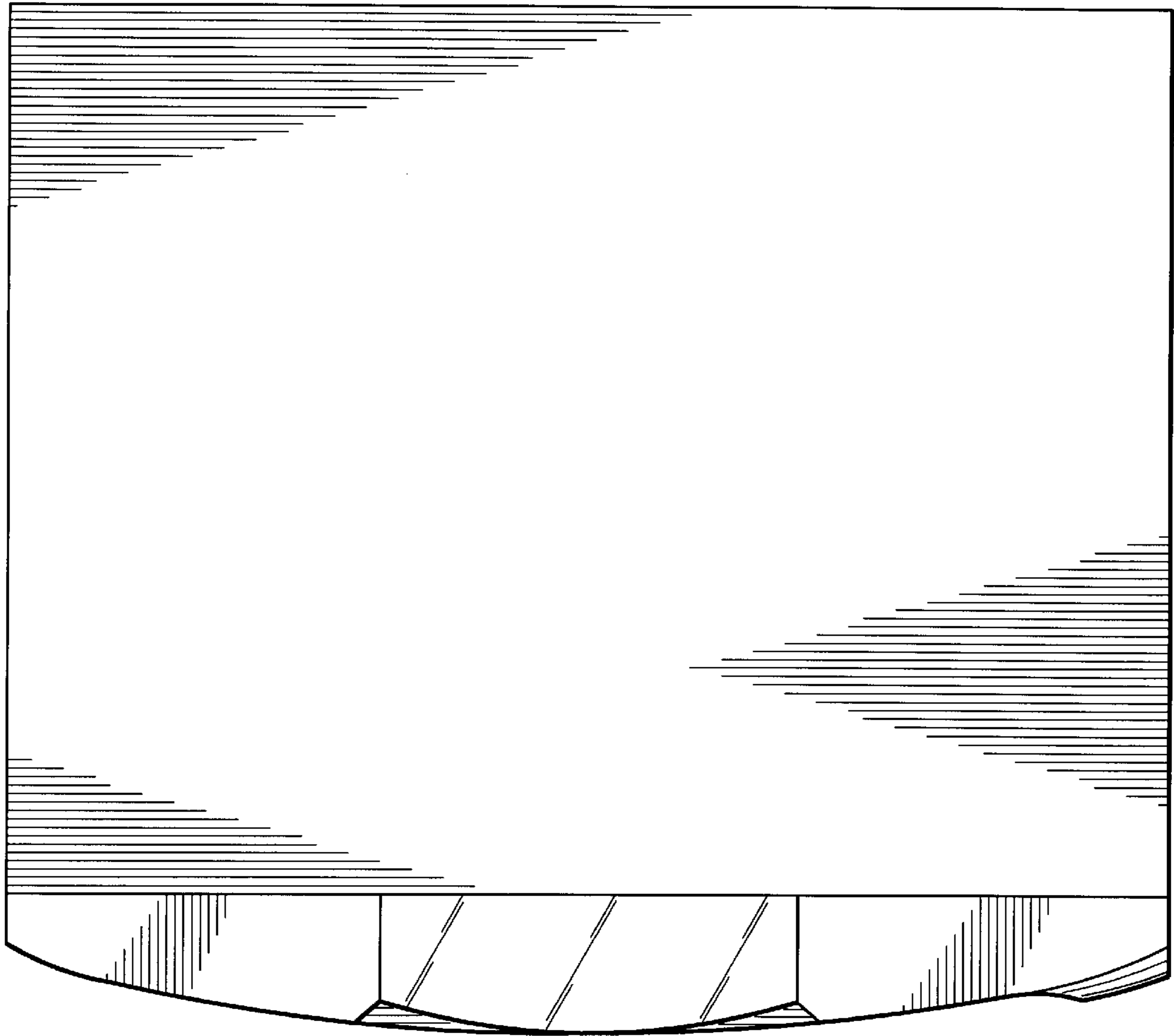


FIG. 2

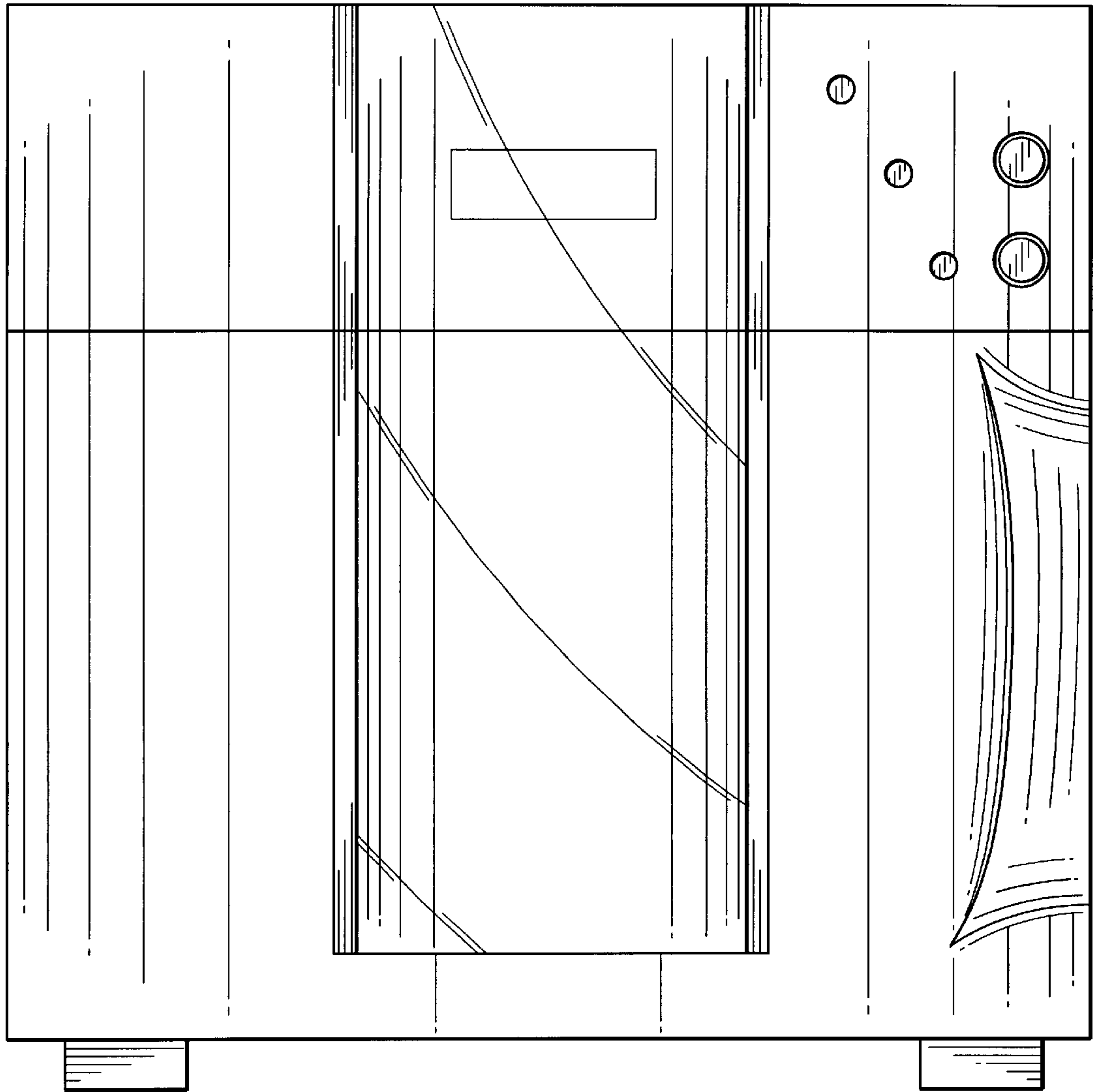


FIG. 3

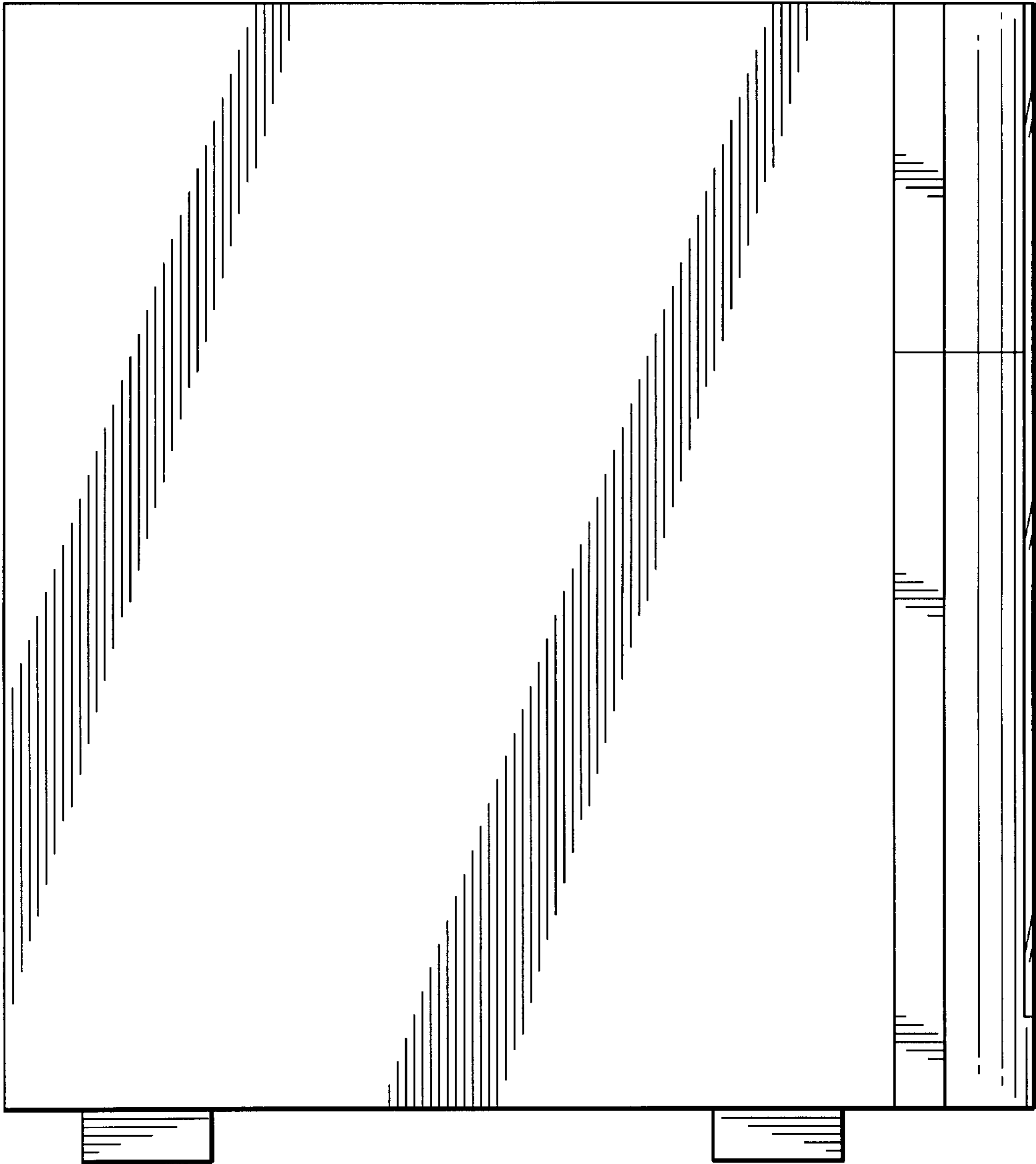


FIG. 4

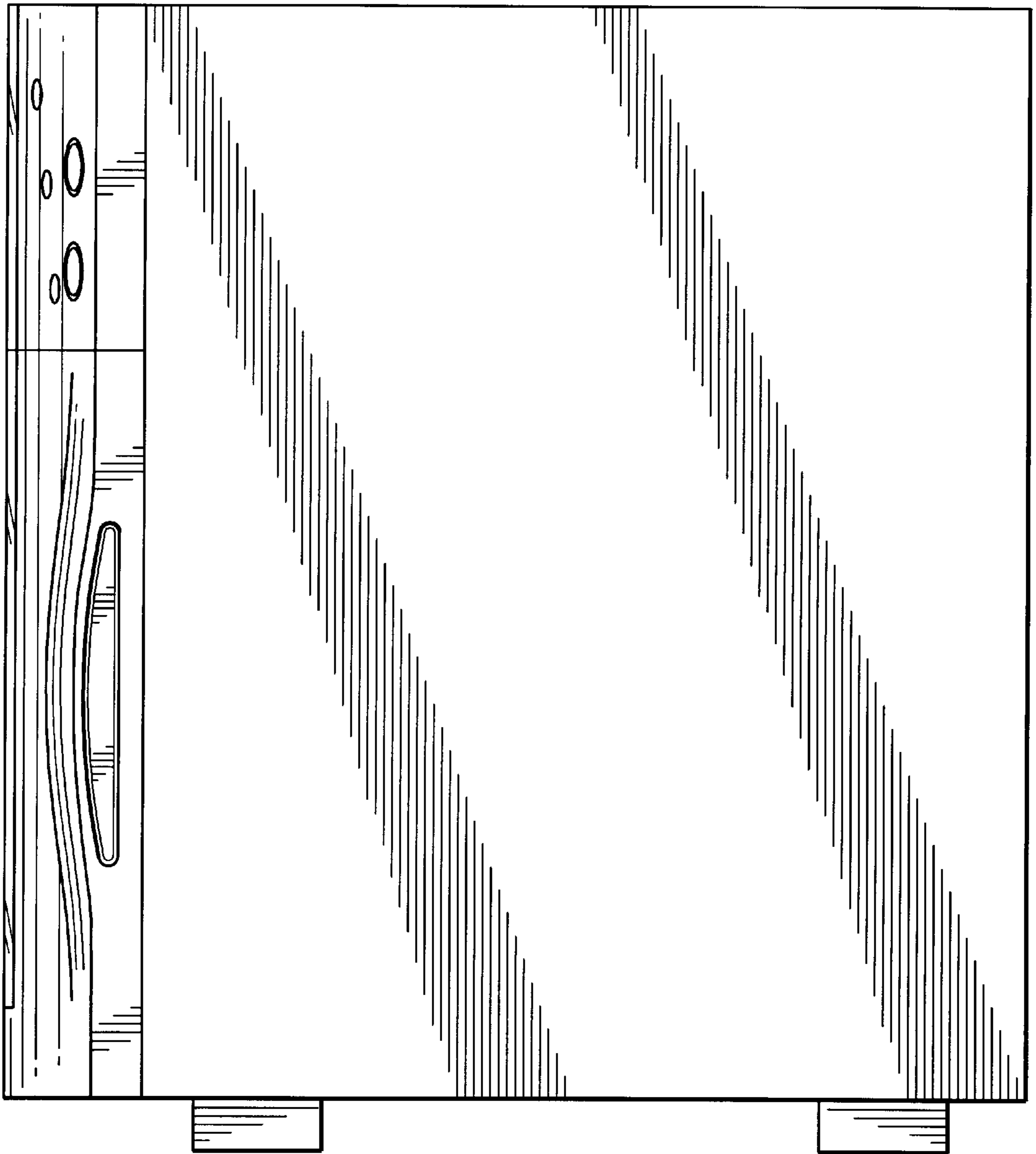


FIG. 5

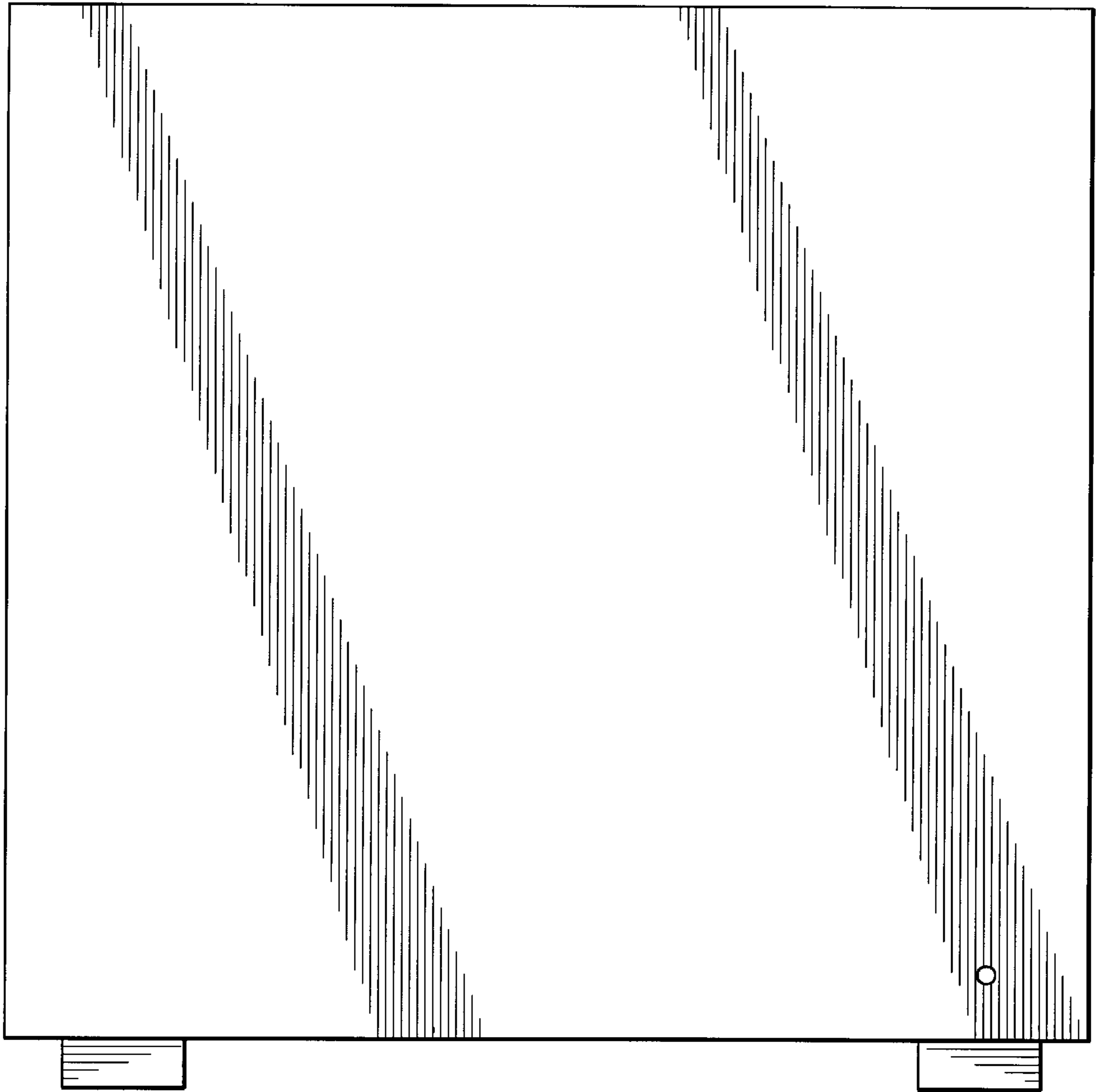


FIG. 6

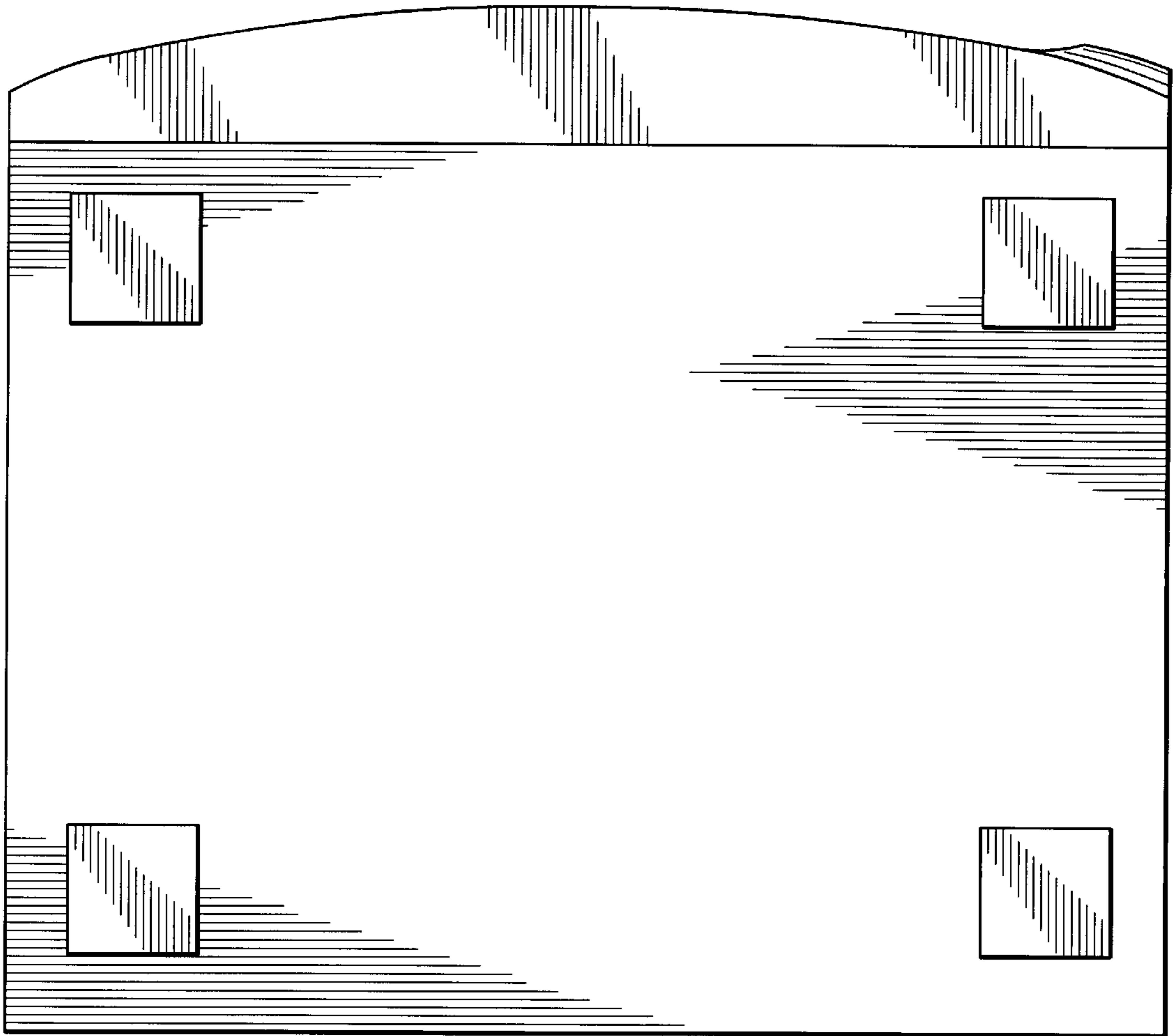


FIG. 7