



US00D465962S

(12) **United States Design Patent**  
**Favela**

(10) **Patent No.:** **US D465,962 S**

(45) **Date of Patent:** **\*\* Nov. 26, 2002**

(54) **BARBECUE GRILL**

(76) Inventor: **Manuel Favela**, 1455 East Francis Street, Ontario, CA (US) 91761

(\*\*) Term: **14 Years**

(21) Appl. No.: **29/151,346**

(22) Filed: **Dec. 3, 2001**

(51) **LOC (7) Cl.** ..... **07-02**

(52) **U.S. Cl.** ..... **D7/335**

(58) **Field of Search** ..... D7/332-337, 402, D7/403, 404; D21/707, 709, 712-714; 126/25 R, 25 A, 25 AA, 41 R; 99/419

(56) **References Cited**

**U.S. PATENT DOCUMENTS**

3,624,939 A	*	12/1971	Gossard	.....	40/721
D314,882 S	*	2/1991	Bethel, Jr.	.....	D7/334
D373,282 S	*	9/1996	Cordero	.....	D7/334
D396,599 S	*	8/1998	Smith, Jr.	.....	D7/332
D400,668 S	*	11/1998	Bloom	.....	D23/379
D421,200 S	*	2/2000	Taylor, Jr.	.....	D7/332
D425,367 S	*	5/2000	Cragg	.....	D7/402
D435,998 S	*	1/2001	Mak	.....	D7/332

D438,750 S \* 3/2001 Mashburn et al. .... D7/335  
D451,971 S \* 12/2001 Mitchell ..... D21/662

\* cited by examiner

*Primary Examiner*—Ruth McInroy

(74) *Attorney, Agent, or Firm*—Stout, Uxa, Buyan & Mullins, LLP; Donald E. Stout

(57) **CLAIM**

The ornamental design for a barbecue grill, as shown.

**DESCRIPTION**

FIG. 1 is a top plan view of a barbecue grill showing my new design;

FIG. 2 is a bottom plan view thereof;

FIG. 3 is a left elevation view thereof;

FIG. 4 is a right elevation view thereof;

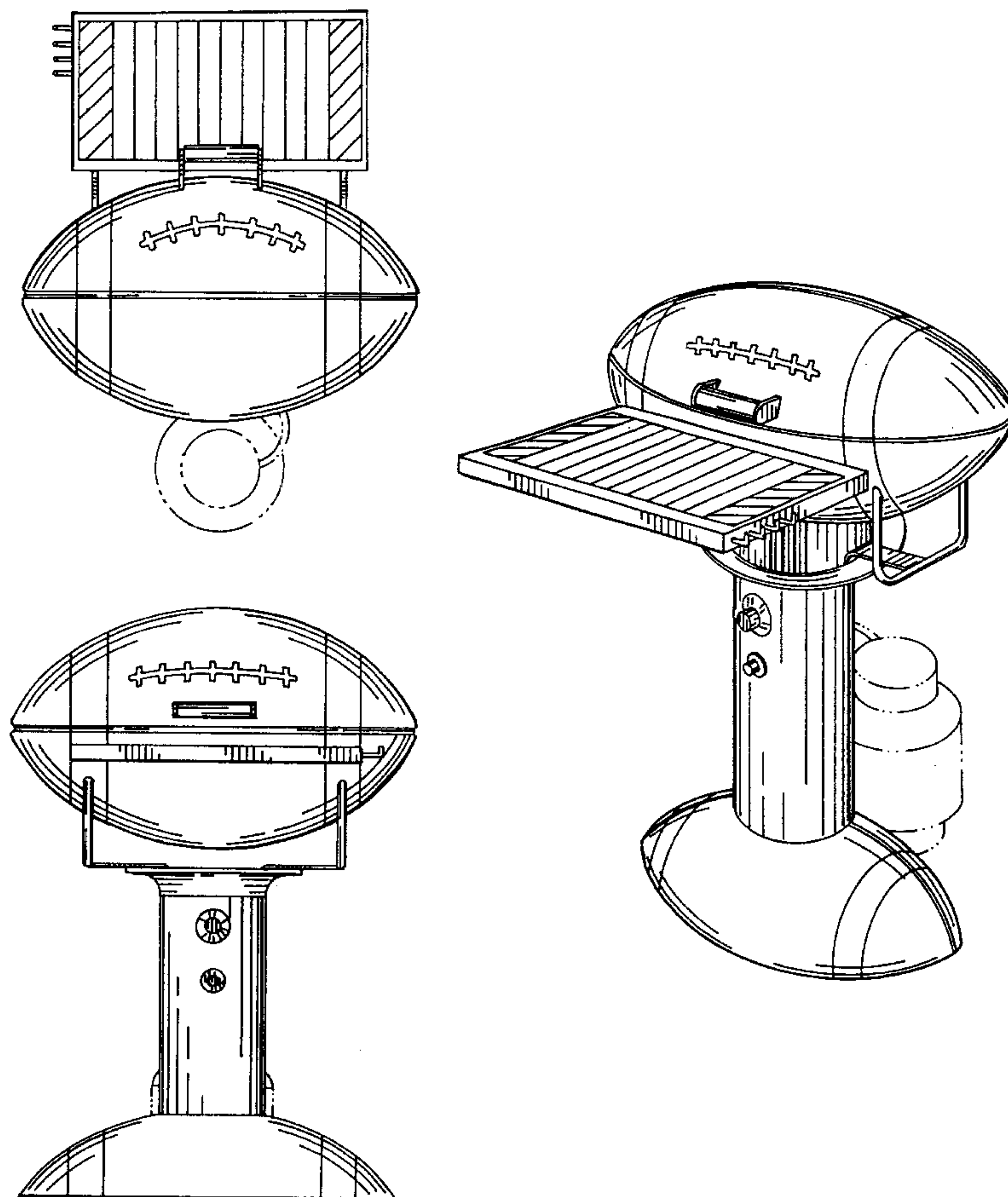
FIG. 5 is a front elevation view thereof;

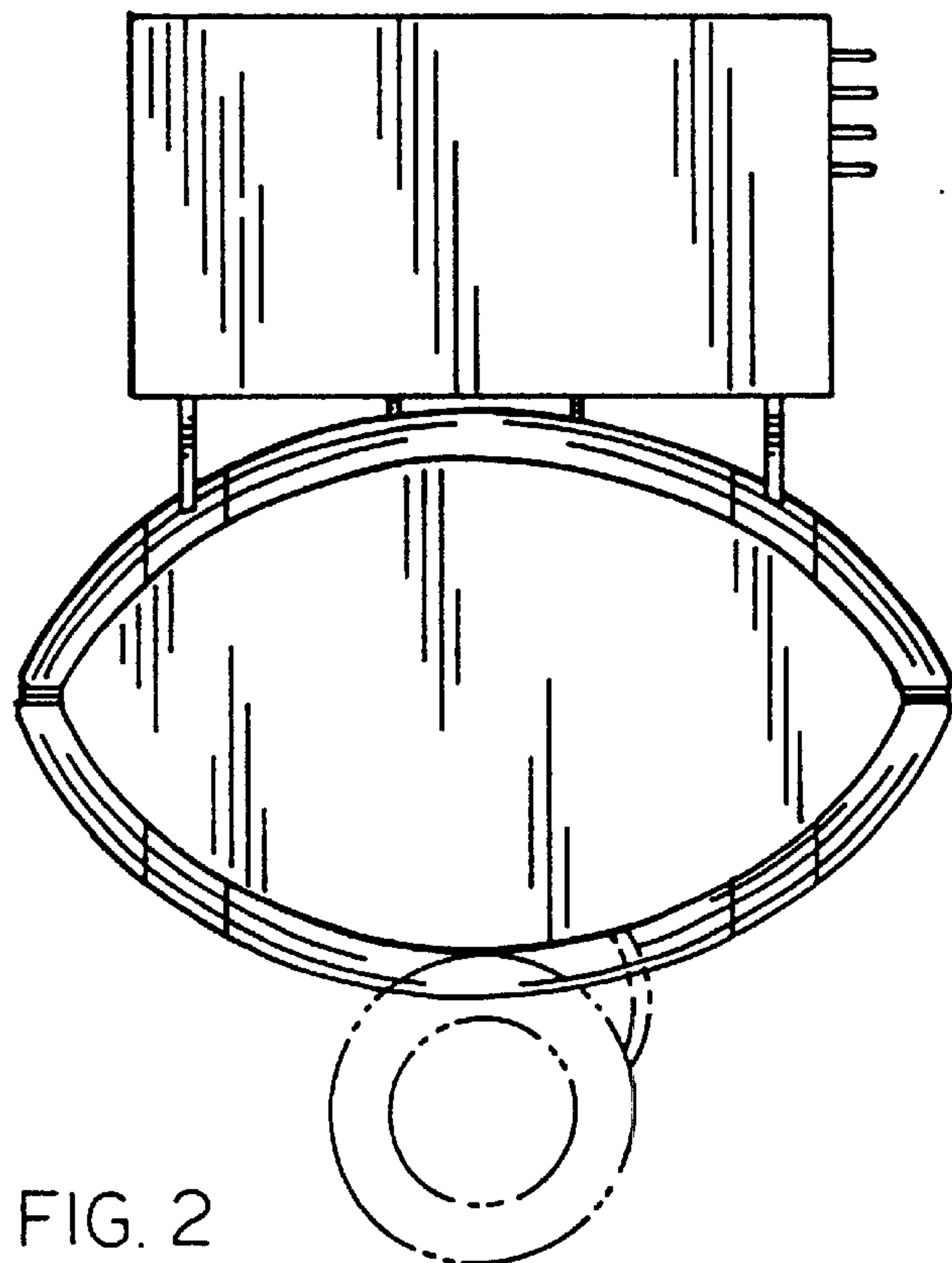
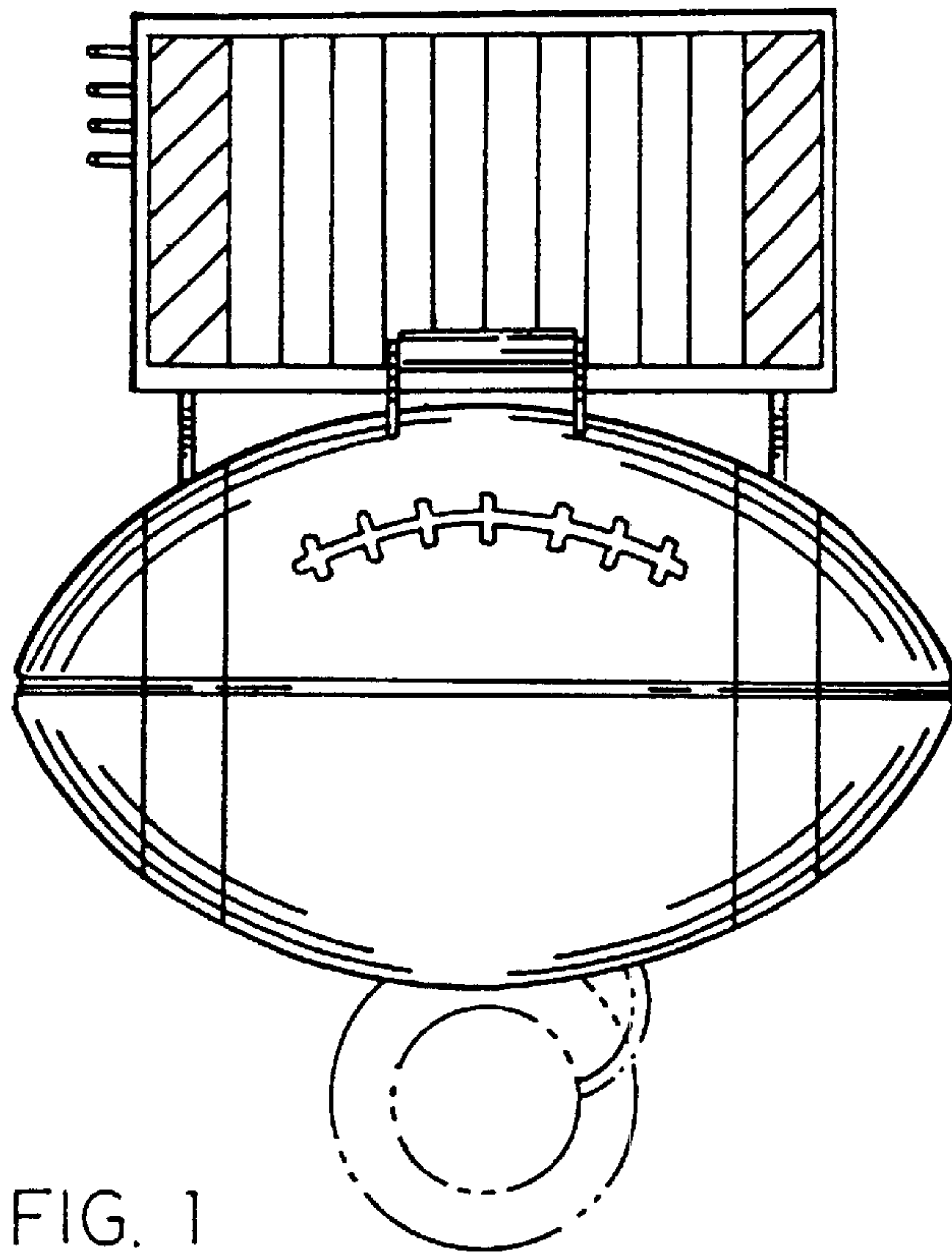
FIG. 6 is a rear elevation view thereof; and,

FIG. 7 is a perspective view thereof.

The propane tank shown in broken lines in all view is for illustrative purposes only and forms no part of the claimed design.

**1 Claim, 4 Drawing Sheets**





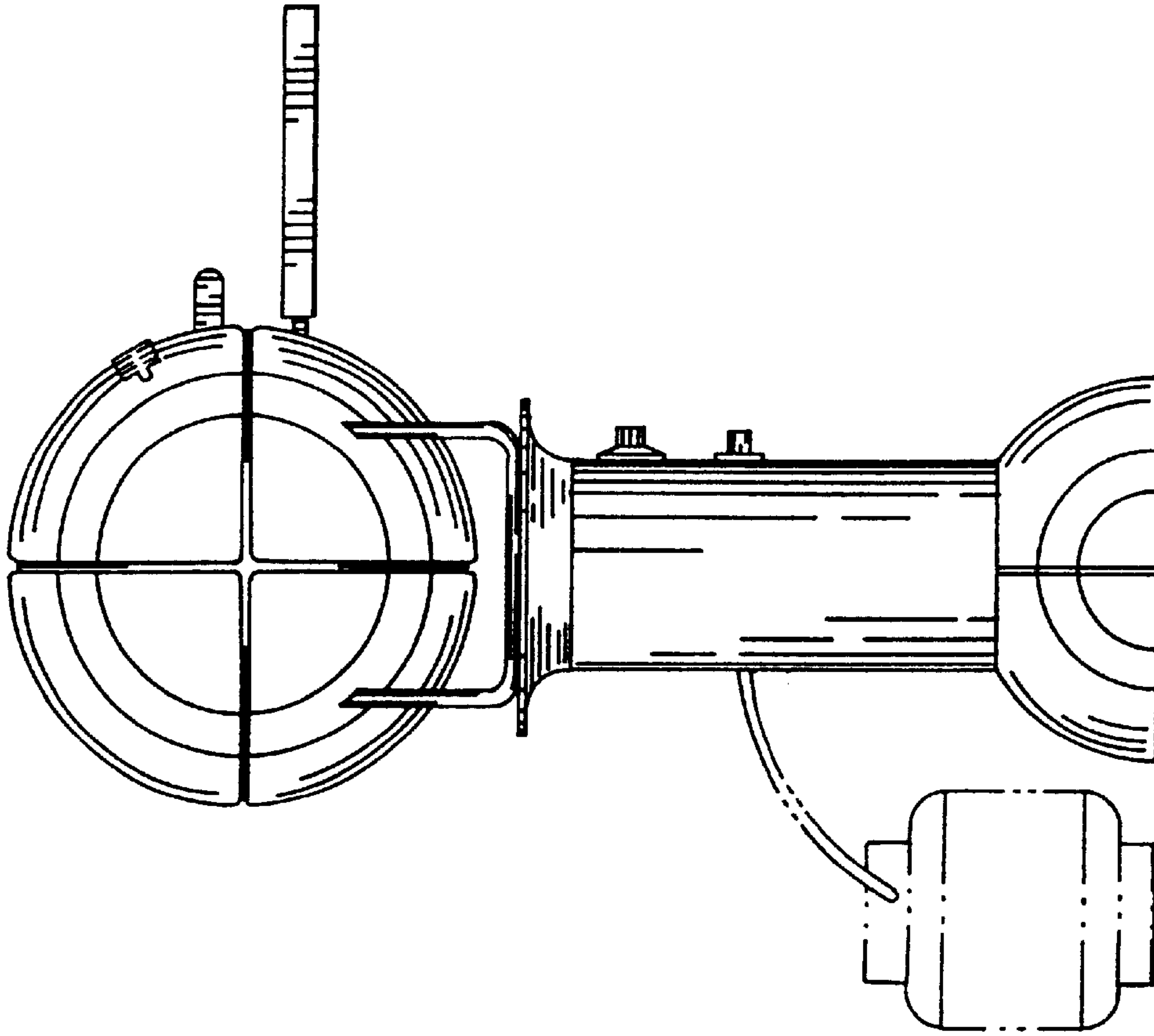


FIG. 3

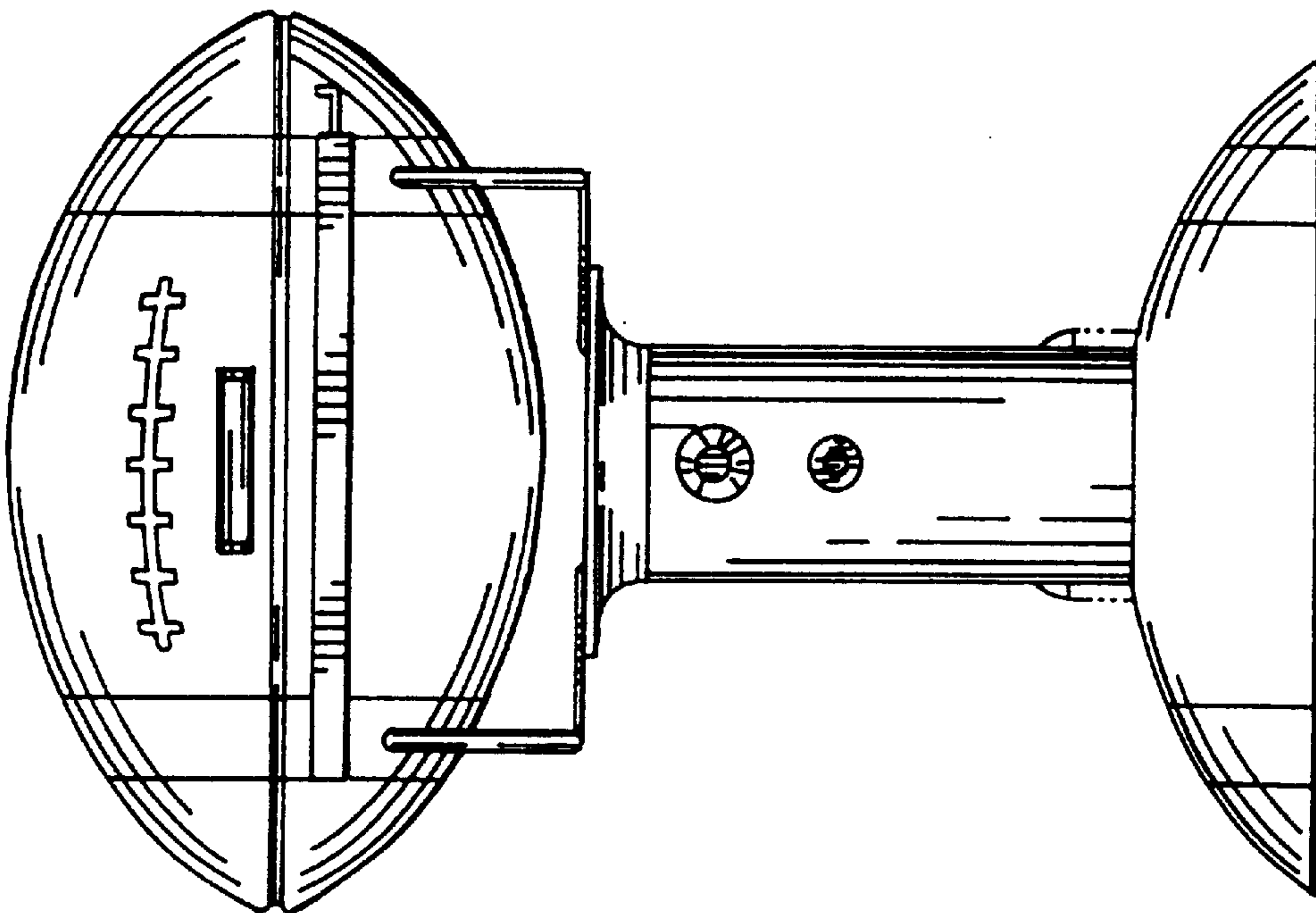


FIG. 5

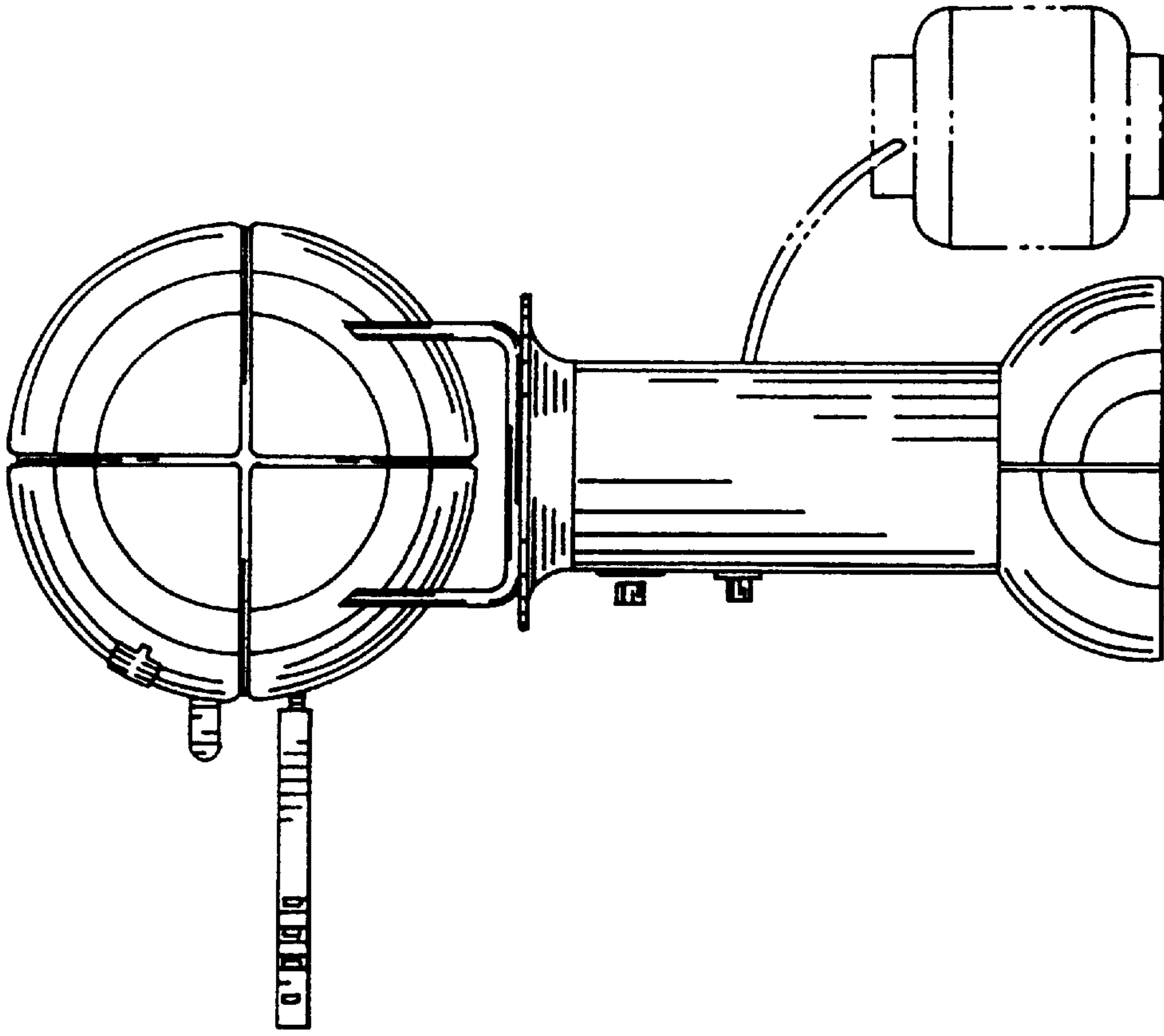


FIG. 4

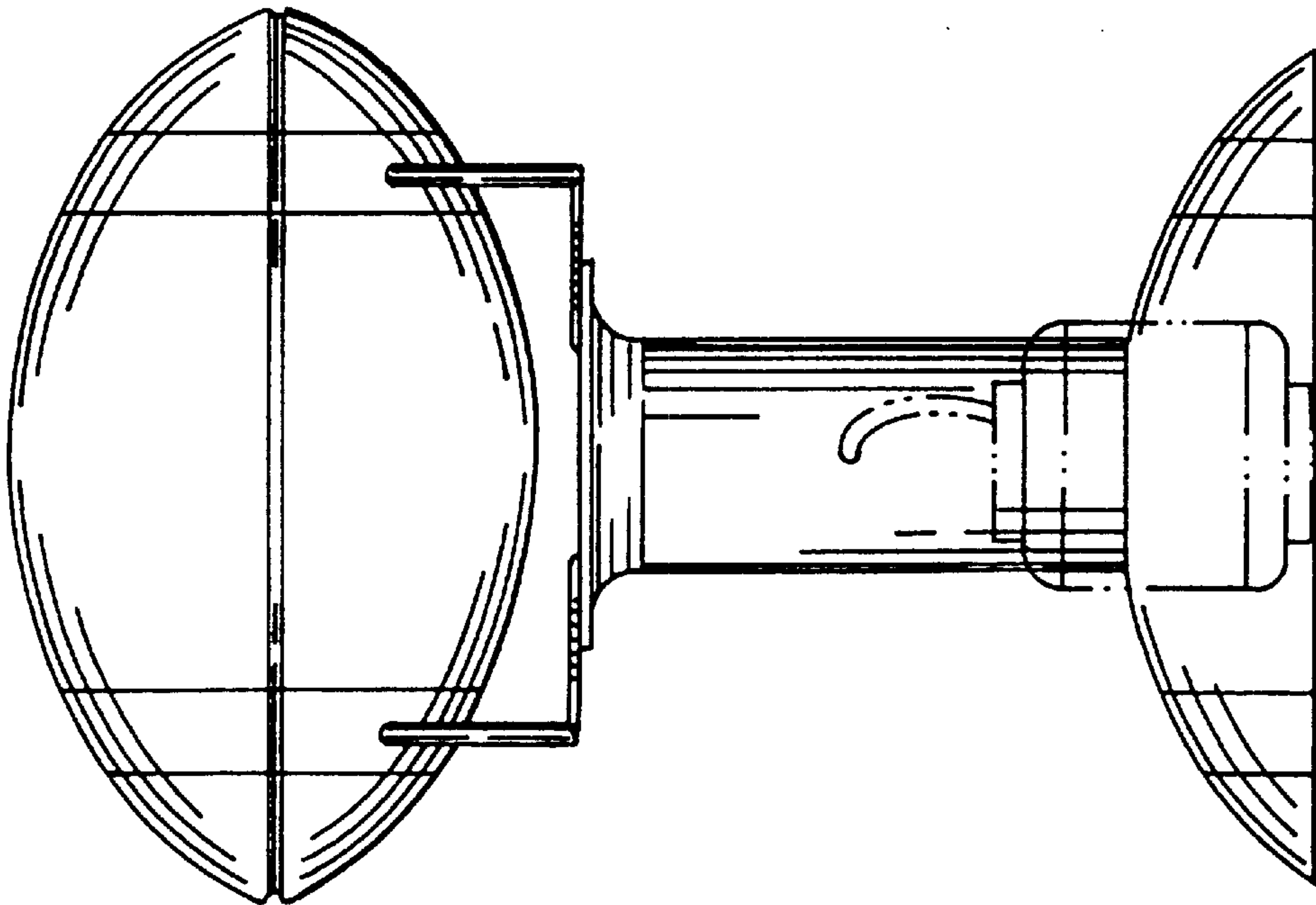


FIG. 6



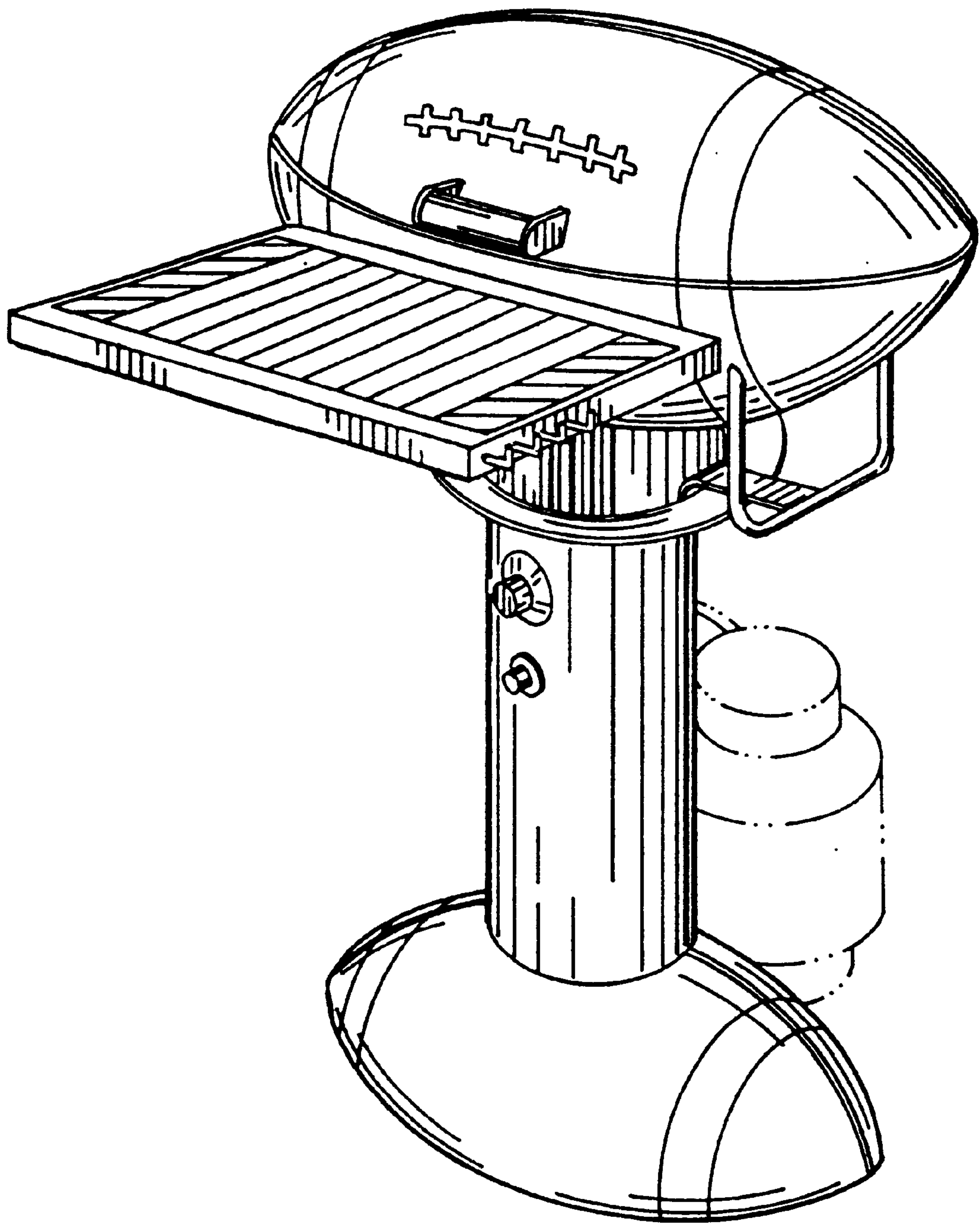


FIG. 7