



US00D465957S

(12) **United States Design Patent**  
**Driscoll et al.**

(10) **Patent No.:** **US D465,957 S**

(45) **Date of Patent:** **\*\* Nov. 26, 2002**

(54) **TOILET BRUSH AND CONTAINER**

(76) Inventors: **Kevin Graeme Driscoll**, 4/12 William ST, Noosaville, Queensland (AU);  
**Robert Ashely Bailey**, 15 Cygnet Court, Wurtulla, Queensland (AU)

(\*\*) Term: **14 Years**

(21) Appl. No.: **29/139,296**

(22) Filed: **Mar. 28, 2001**

(30) **Foreign Application Priority Data**

Oct. 3, 2000 (AU) ..... 3185/00  
Oct. 26, 2000 (AU) ..... 3542/00  
Oct. 26, 2000 (AU) ..... 3543/00  
Nov. 23, 2000 (AU) ..... 3901/00

(51) **LOC (7) Cl.** ..... **06-04**

(52) **U.S. Cl.** ..... **D6/551**

(58) **Field of Search** ..... D6/551, 524, 525;  
211/13.1, 60.1, 70, 71, 86; 206/307, 209,  
15.3

(56) **References Cited**

**U.S. PATENT DOCUMENTS**

D315,989 S \* 4/1991 Levien ..... D6/551 X  
D329,775 S \* 9/1992 Murphy ..... D6/551  
D404,951 S \* 2/1999 Zawalsky ..... D6/551

6,038,709 A \* 3/2000 Kent ..... 206/15.3 X  
D424,306 S \* 5/2000 Strum et al. .... D6/551 X  
D433,859 S \* 11/2000 Fiegl et al. .... D6/551  
D453,888 S \* 2/2002 Gottwald ..... D6/551

\* cited by examiner

*Primary Examiner*—Brian N. Vinson  
(74) *Attorney, Agent, or Firm*—Lee, Mann, Smith,  
McWilliams, Sweeney & Ohlson

(57) **CLAIM**

The ornamental design for a toilet brush and container, as shown and described.

**DESCRIPTION**

FIG. 1 is a top plan view of a first embodiment of toilet brush and container showing our new design;  
FIG. 2 is a rear elevational view thereof;  
FIG. 3 is a front elevational view thereof;  
FIG. 4 is a bottom plan view thereof;  
FIG. 5 is a right side elevational view of a second embodiment of a toilet brush and container showing our new design;  
FIG. 6 is a left side elevational view thereof;  
FIG. 7 is a rear elevational view thereof;  
FIG. 8 is a horizontal cross-sectional view thereof, taken in the direction of line A—A of FIG. 7; and,  
FIG. 9 is a top and front perspective view thereof.

**1 Claim, 2 Drawing Sheets**

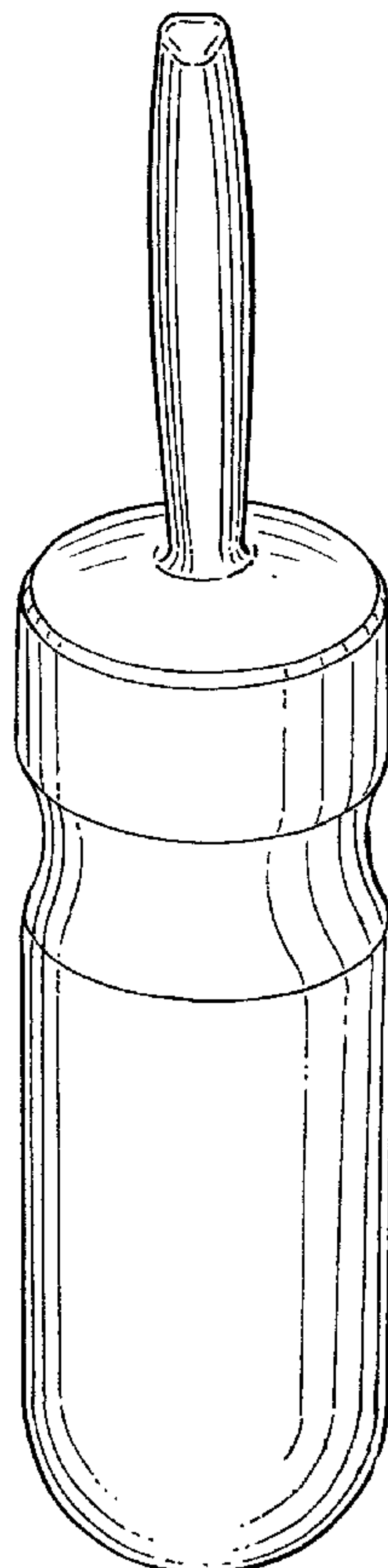


FIG. 1

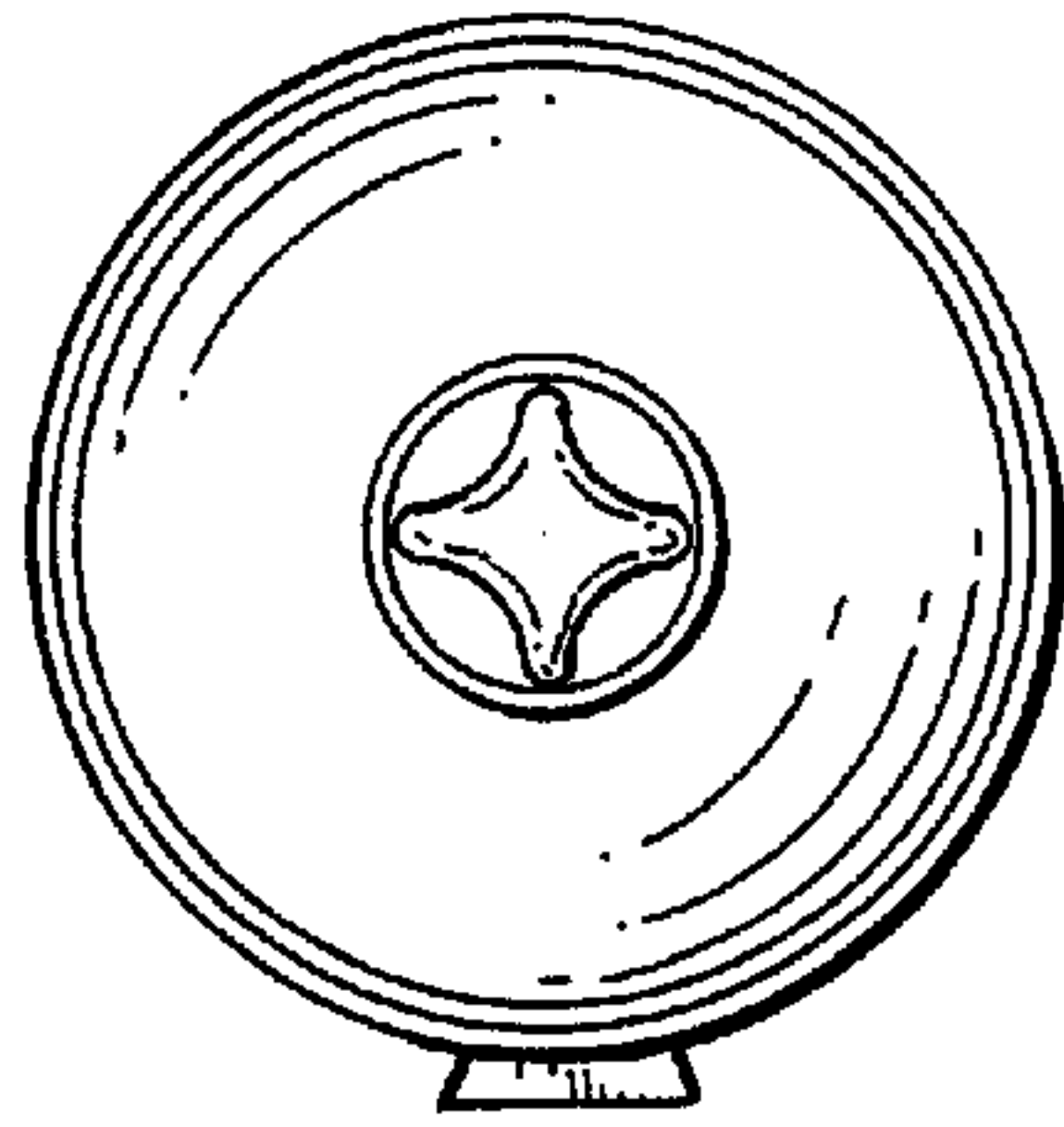


FIG. 3

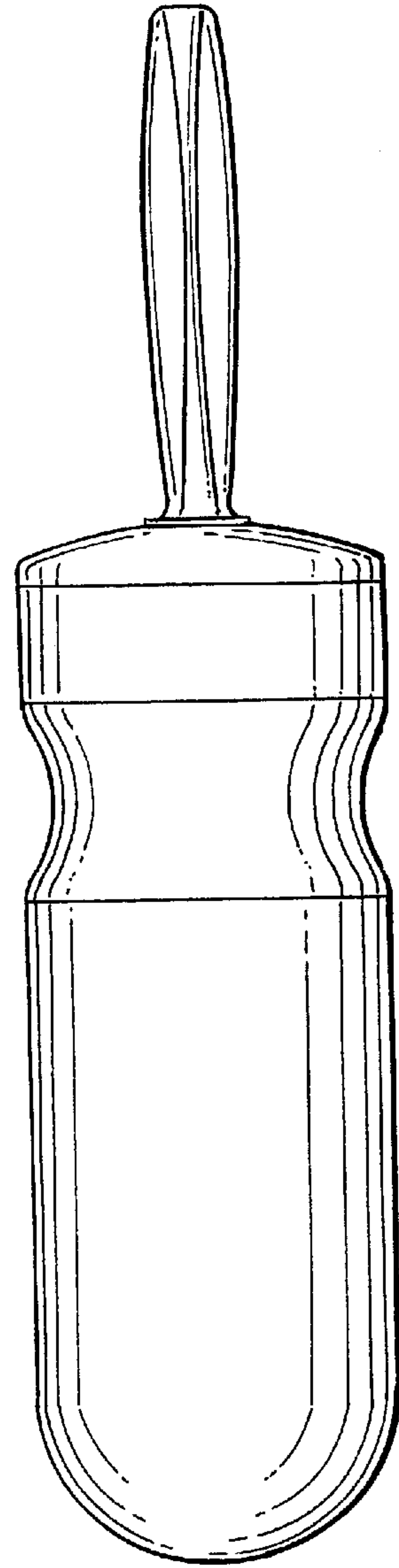


FIG. 2

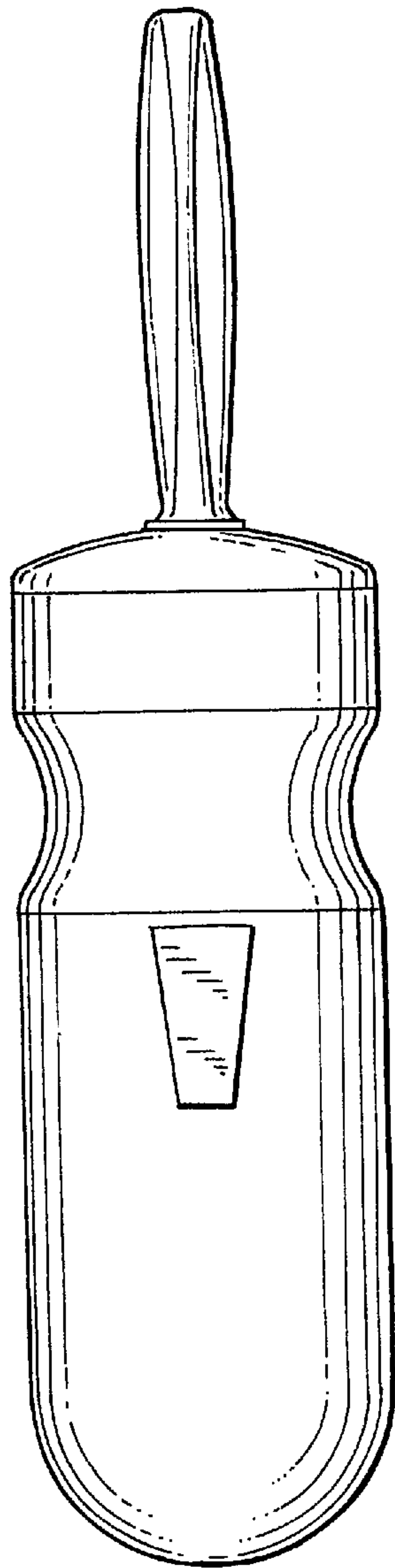
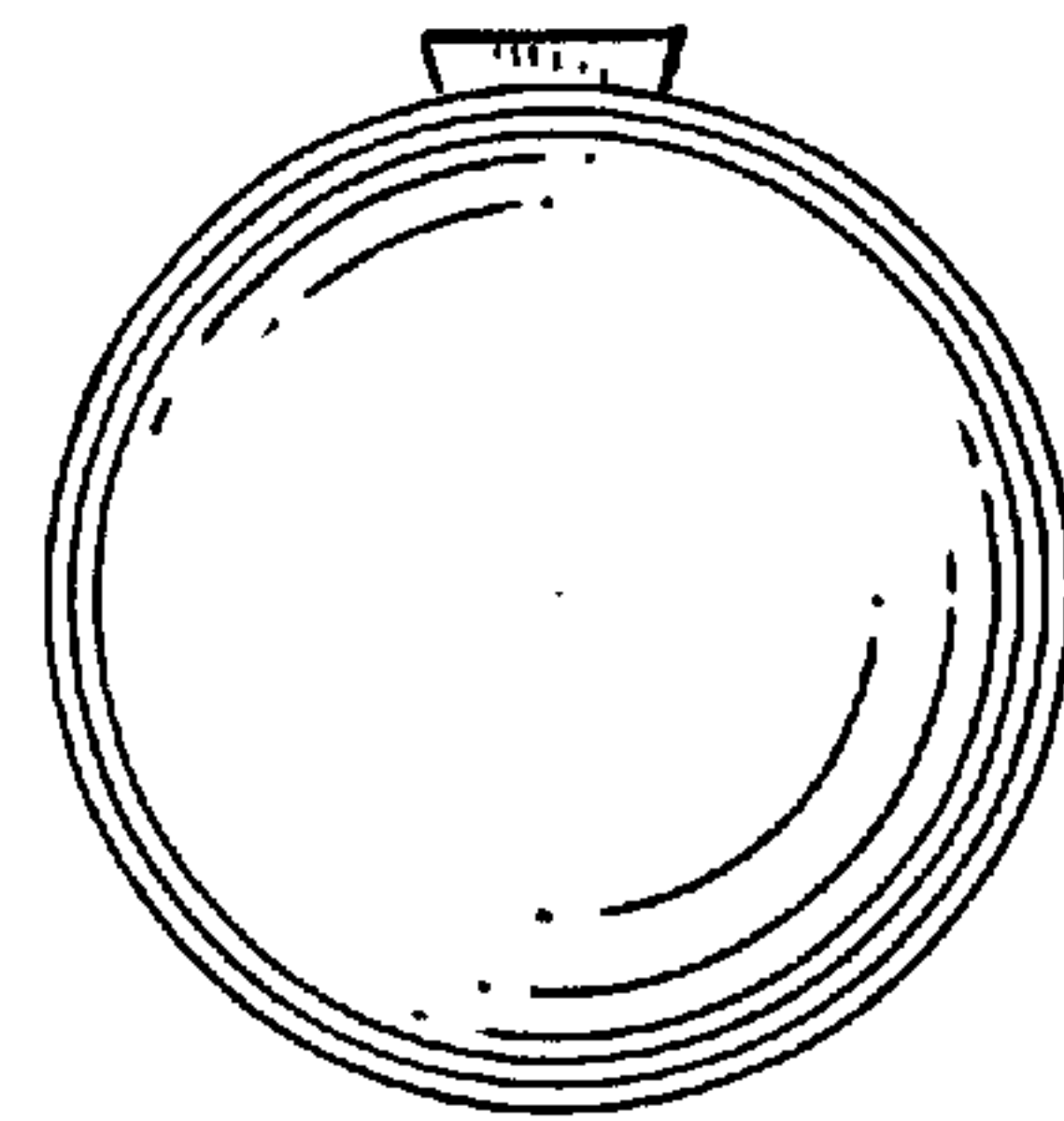


FIG. 4



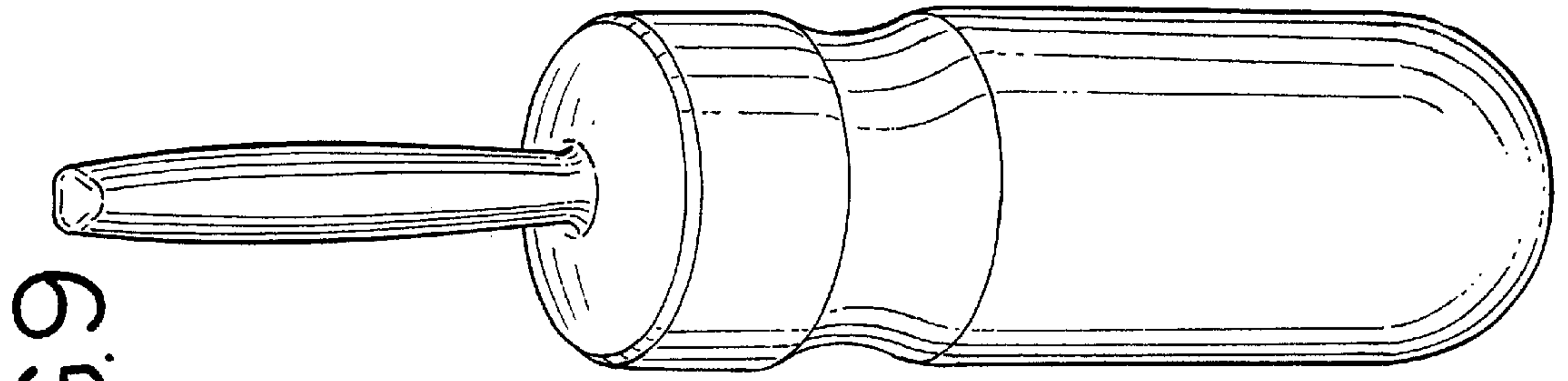


FIG. 5

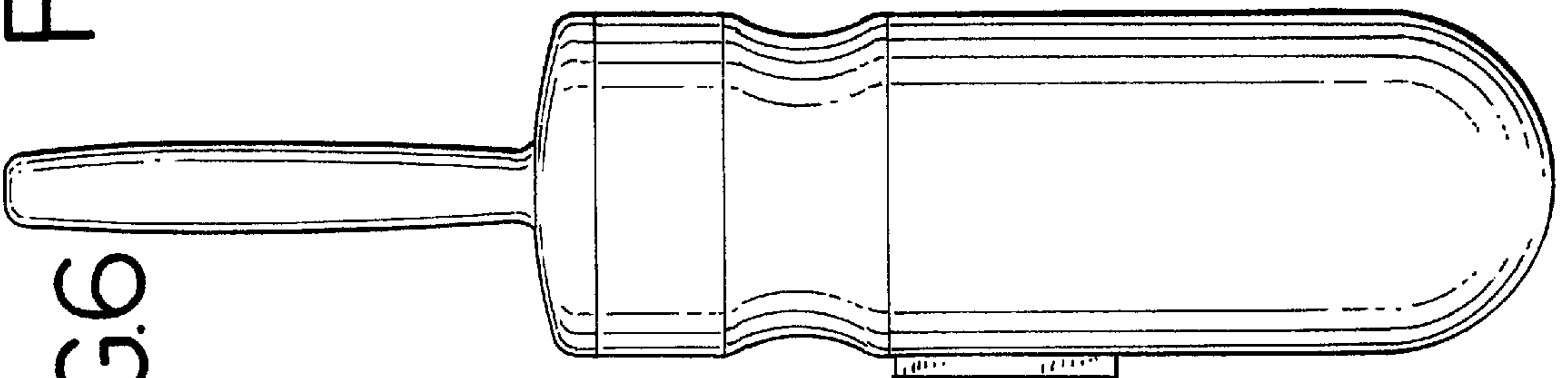


FIG. 6

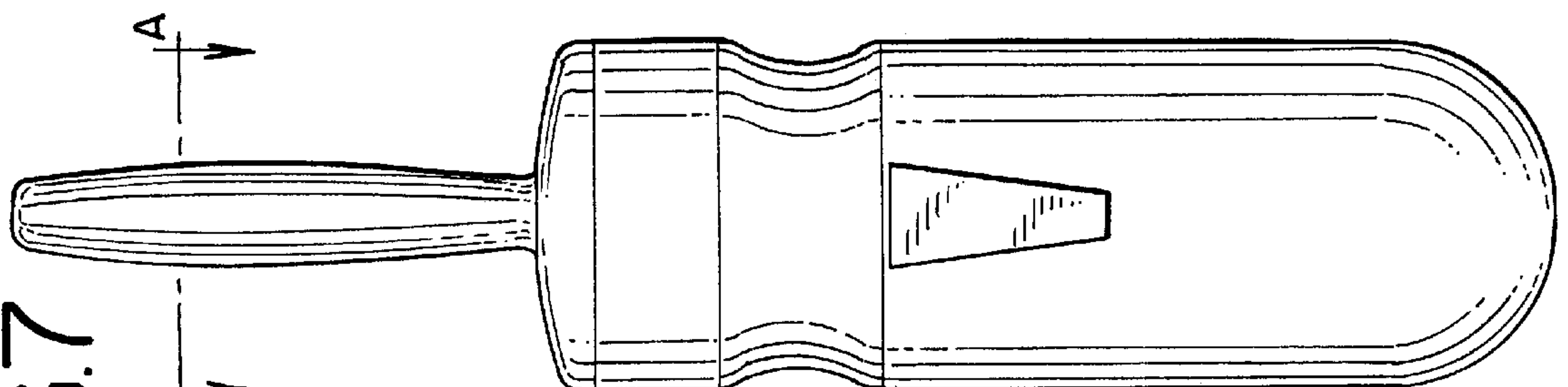


FIG. 7

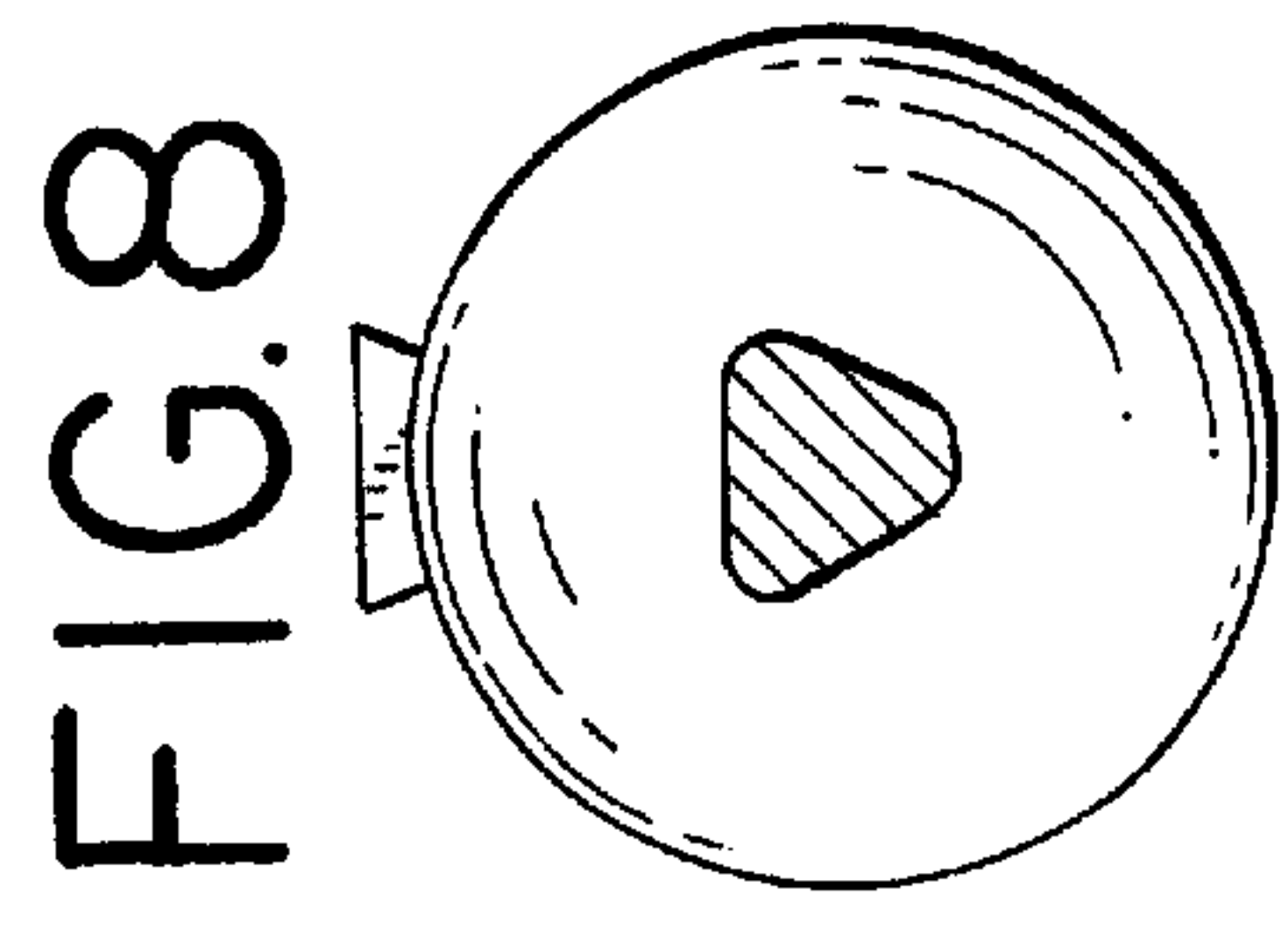


FIG. 8

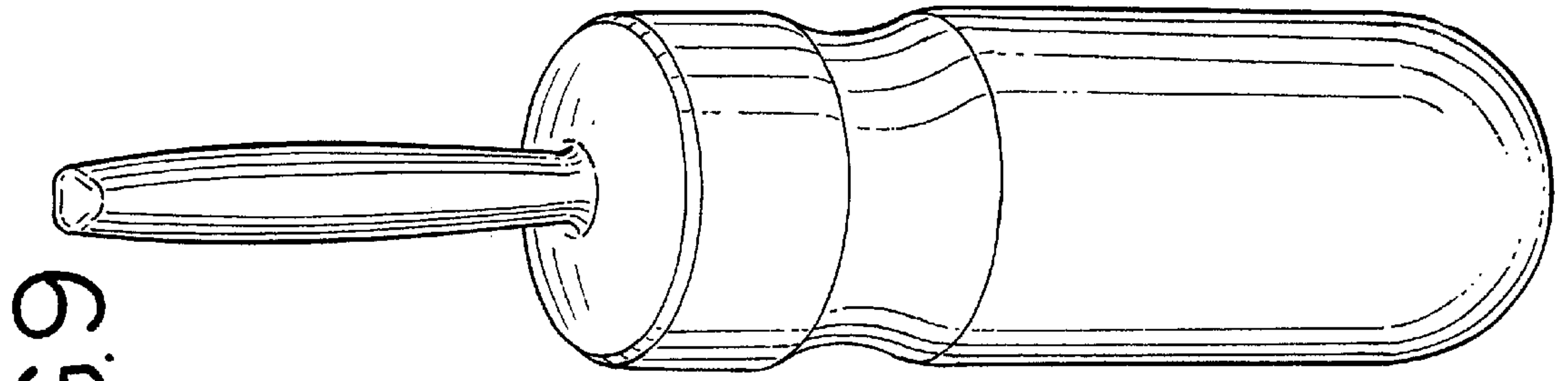


FIG. 9