



US00D465955S

(12) **United States Design Patent**  
**Yen**

(10) **Patent No.:** **US D465,955 S**

(45) **Date of Patent:** **\*\* Nov. 26, 2002**

(54) **TOWEL BAR POST**

(76) Inventor: **Kuo-Chi Yen**, No. 310, Wenshinnan 6<sup>th</sup> Rd., Nantuen Chiu, Taichung (TW)

(\*\*) Term: **14 Years**

(21) Appl. No.: **29/150,349**

(22) Filed: **Nov. 20, 2001**

(51) **LOC (7) Cl.** ..... **06-04**

(52) **U.S. Cl.** ..... **D6/550**

(58) **Field of Search** ..... D6/546-50, 518, D6/522-24; D8/300, 307-308, 315-20; 108/29; 211/13.1, 16, 60.1, 86.01, 87.01, 88.04, 105.1-105.02, 106, 123, 181.1; 242/570, 588-90, 597-98; 248/49, 175, 200-201, 205.1, 214, 251-54, 261, 302, 304, 309.1, 314-17

D394,574 S 5/1998 Moore ..... D6/550  
 D394,971 S 6/1998 Moore ..... D6/550  
 D394,973 S 6/1998 Moore et al. .... D6/550  
 D406,484 S 3/1999 Wu ..... D6/566  
 D408,188 S \* 4/1999 Kuo ..... D6/550  
 D408,669 S 4/1999 Kuo ..... D6/550  
 D409,029 S 5/1999 Harris ..... D6/524  
 D416,785 S 11/1999 Ming-Hsiao ..... D8/363  
 D417,576 S 12/1999 Ming-Hsiao ..... D6/549  
 D417,808 S 12/1999 Roth et al. .... D6/523  
 D417,994 S 12/1999 Roth et al. .... D6/546  
 D424,352 S \* 5/2000 Roth et al. .... D6/549  
 D431,948 S \* 10/2000 Chen ..... D6/524  
 D449,950 S \* 11/2001 Lai ..... D6/524  
 D452,790 S \* 1/2002 Chen ..... D6/524

\* cited by examiner

*Primary Examiner*—Brian N. Vinson  
(74) *Attorney, Agent, or Firm*—Brinks Hofer Gilson & Lione

(56) **References Cited**  
**U.S. PATENT DOCUMENTS**

2,490,854 A \* 12/1949 Bozoti ..... 248/251  
 D286,963 S 12/1986 Waghorn ..... D6/549  
 D299,099 S 12/1988 Gresens et al. .... D6/550  
 D357,379 S 4/1995 Lehn et al. .... D6/549  
 D357,840 S 5/1995 Lehn et al. .... D6/549  
 D360,792 S 8/1995 Sharpe ..... D6/546  
 D361,006 S \* 8/1995 Sharpe ..... D6/524  
 D361,671 S 8/1995 Sharpe ..... D6/323  
 D374,361 S 10/1996 Lehn et al. .... D6/523  
 D391,105 S 2/1998 Sharpe ..... D6/546  
 D392,138 S 3/1998 Wu ..... D6/549  
 D392,139 S 3/1998 Wu ..... D6/549  
 D393,166 S 4/1998 Sharpe ..... D6/524

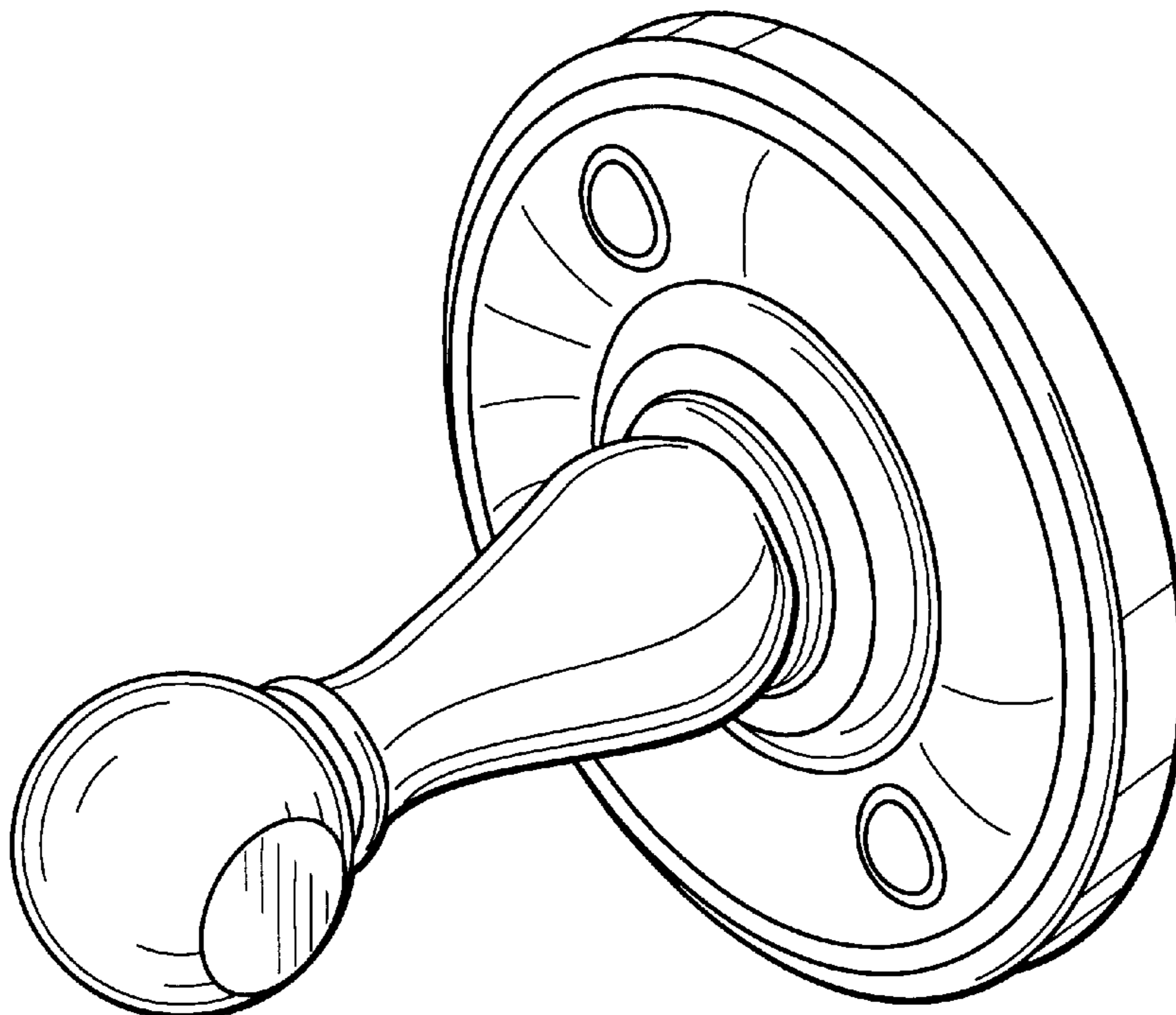
(57) **CLAIM**

The ornamental design for a towel bar post, as shown and described.

**DESCRIPTION**

FIG. 1 is a perspective view showing my new design.  
 FIG. 2 is a bottom elevational view thereof.  
 FIG. 3 is a top elevational view thereof.  
 FIG. 4 is a left elevational view thereof.  
 FIG. 5 is a right elevational view thereof.  
 FIG. 6 is a front elevational view thereof; and,  
 FIG. 7 is a rear elevational view thereof.

**1 Claim, 4 Drawing Sheets**



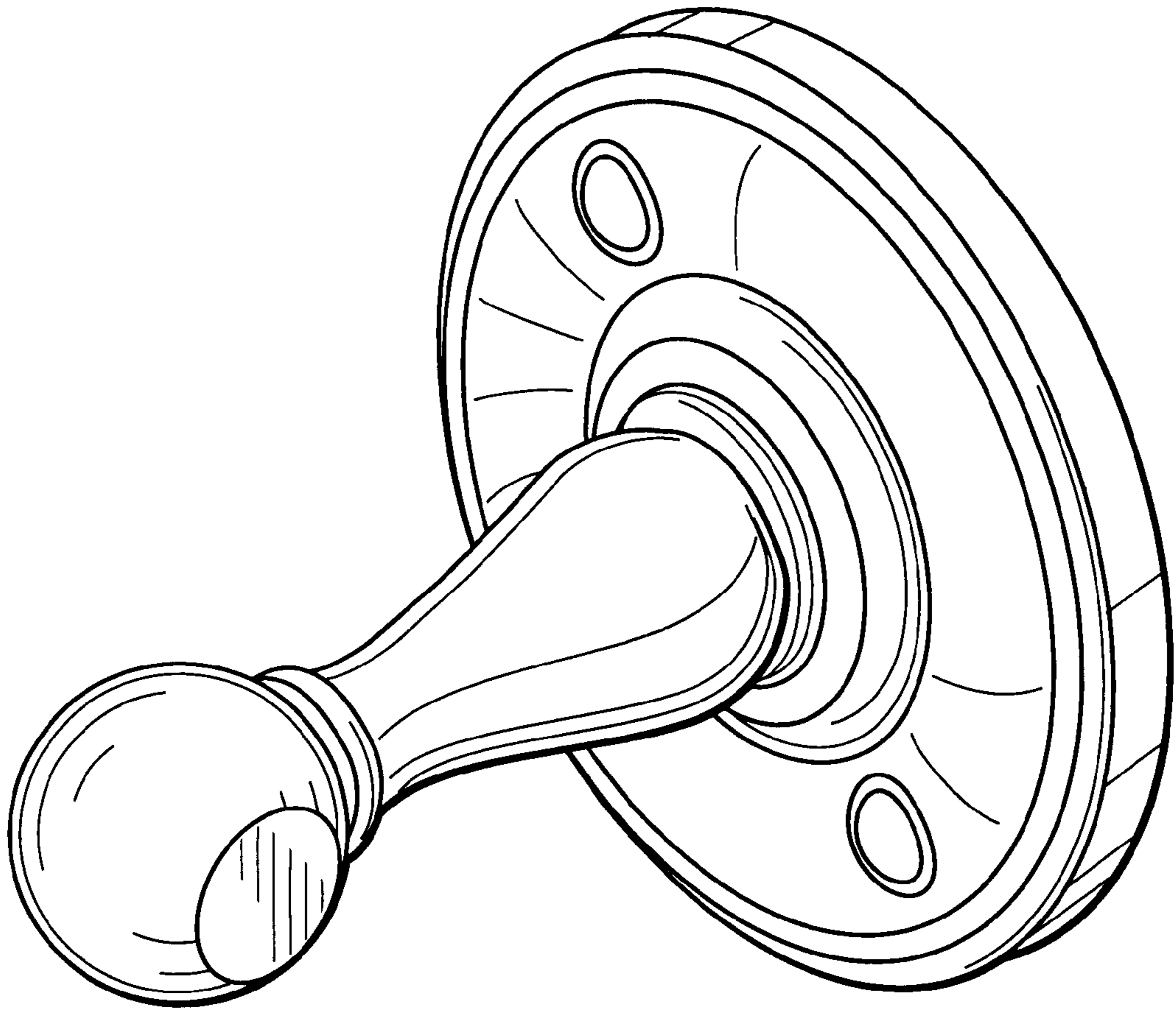


FIG. 1

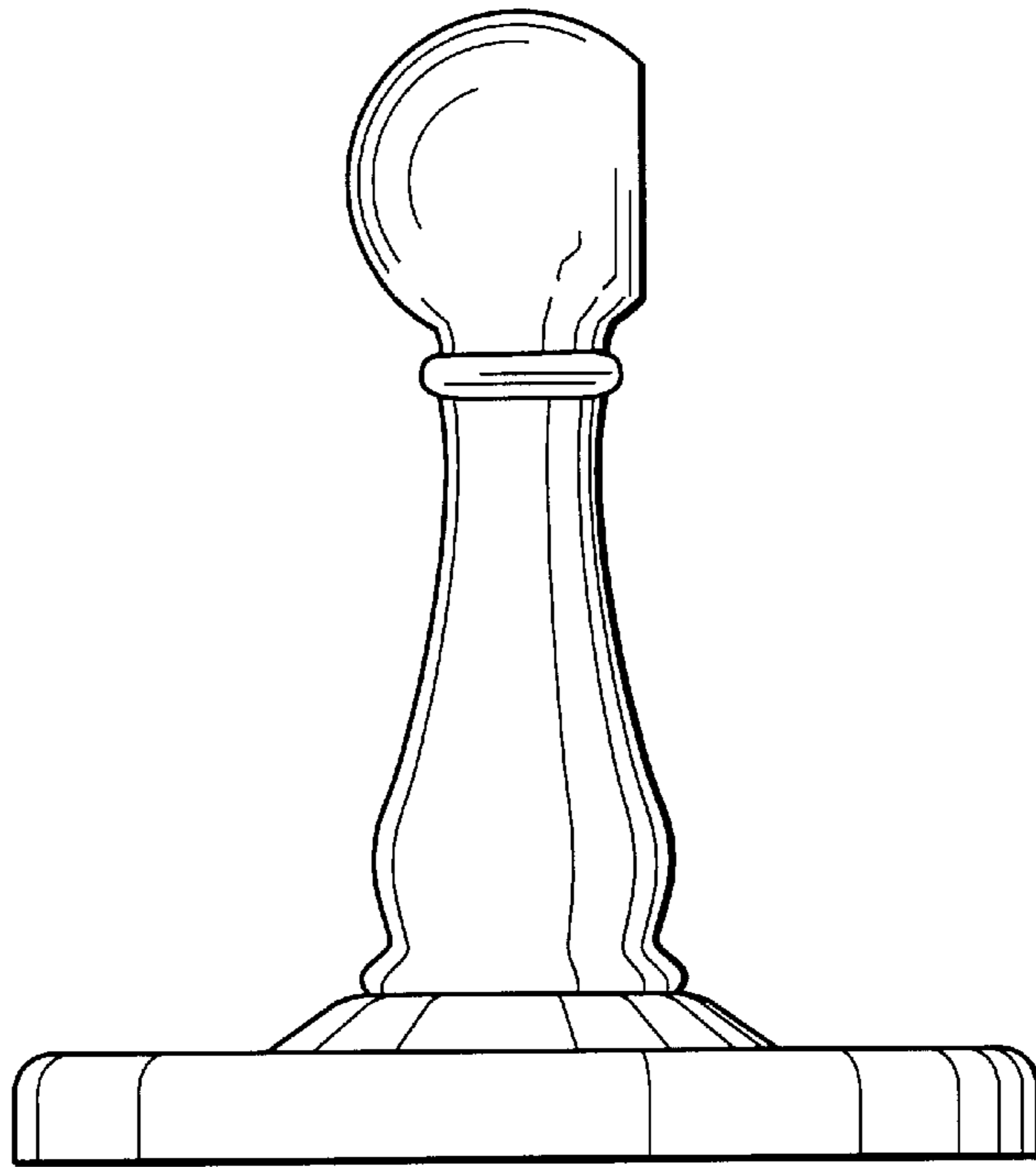


FIG. 2

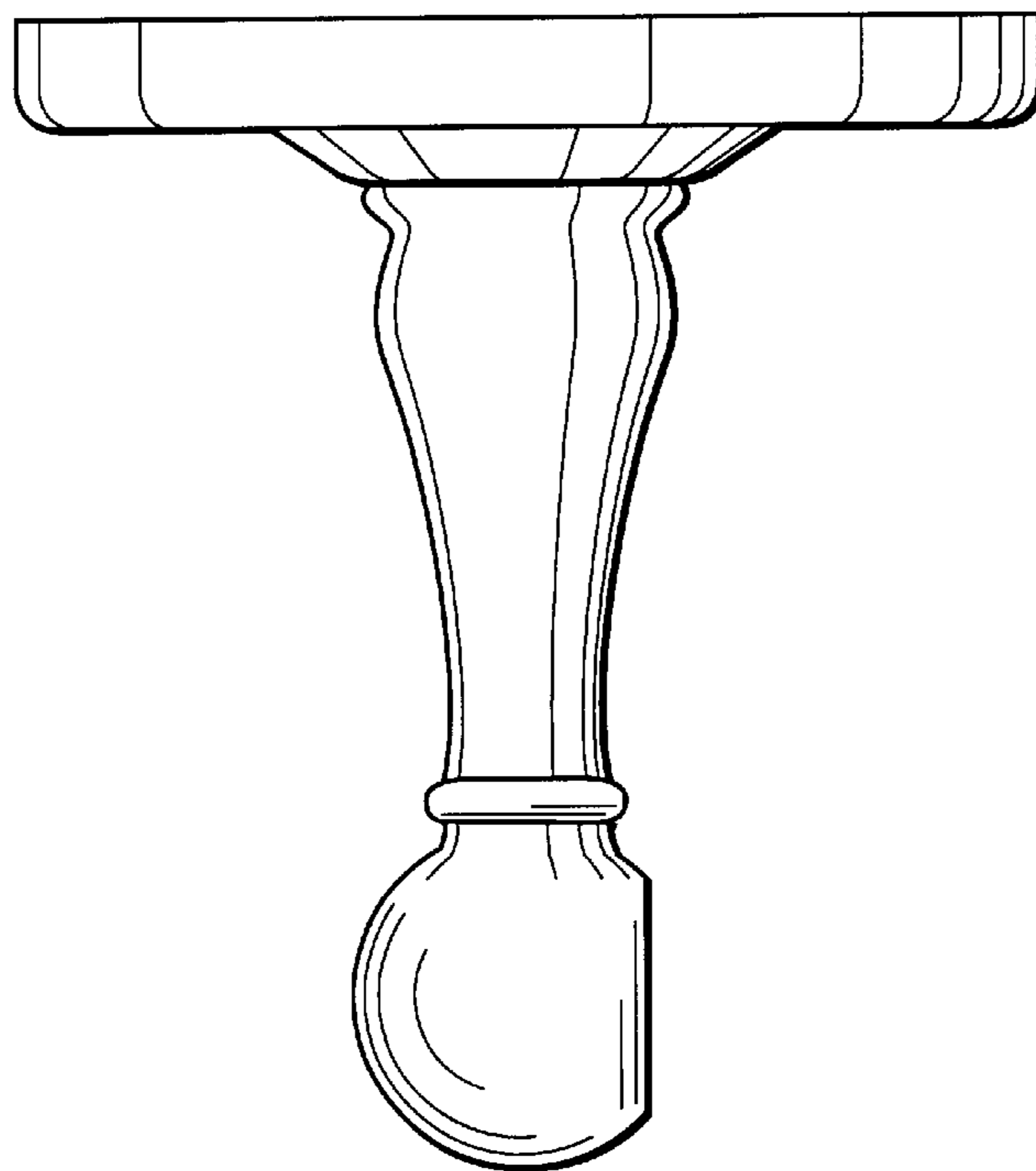


FIG. 3

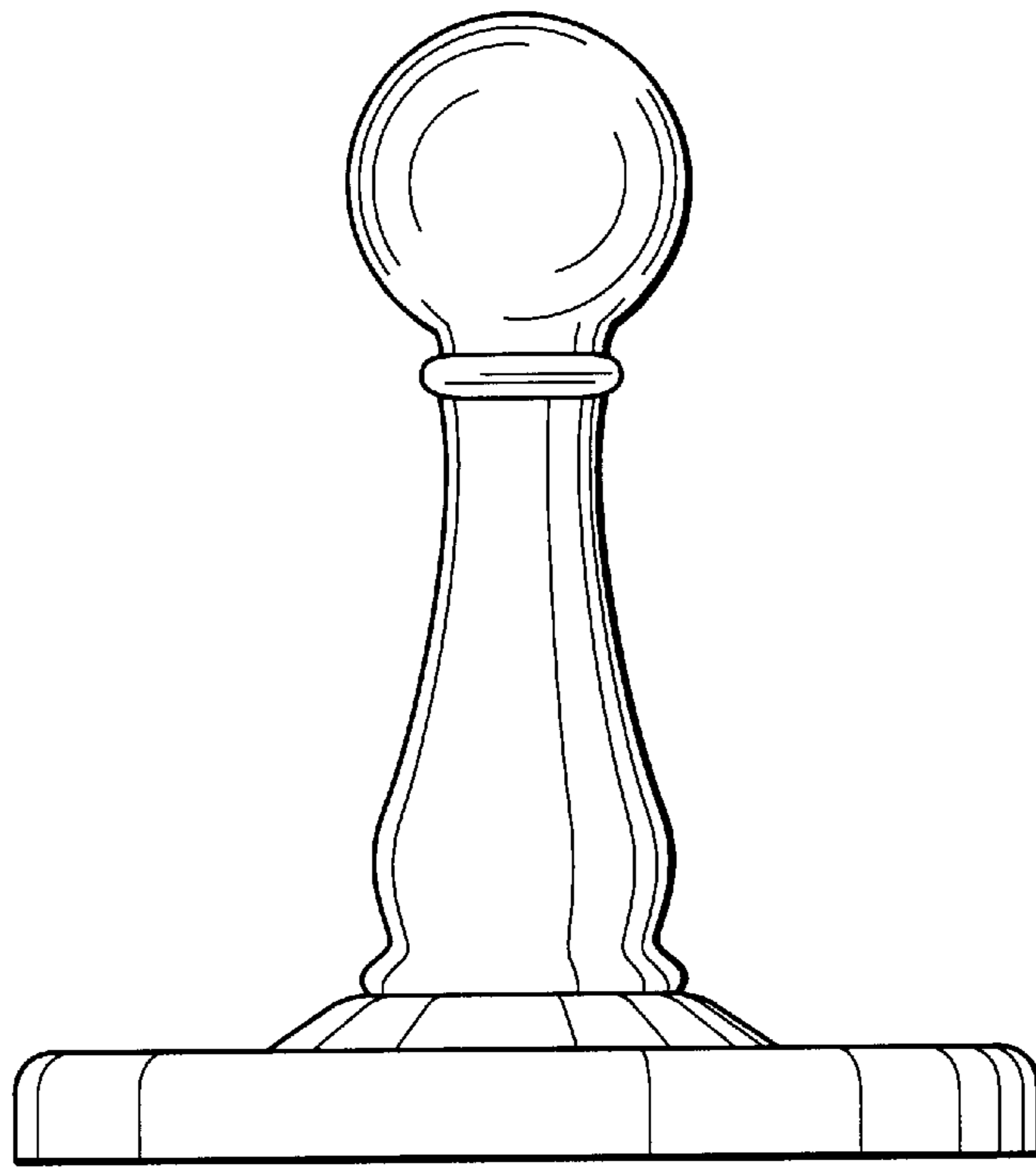


FIG. 4

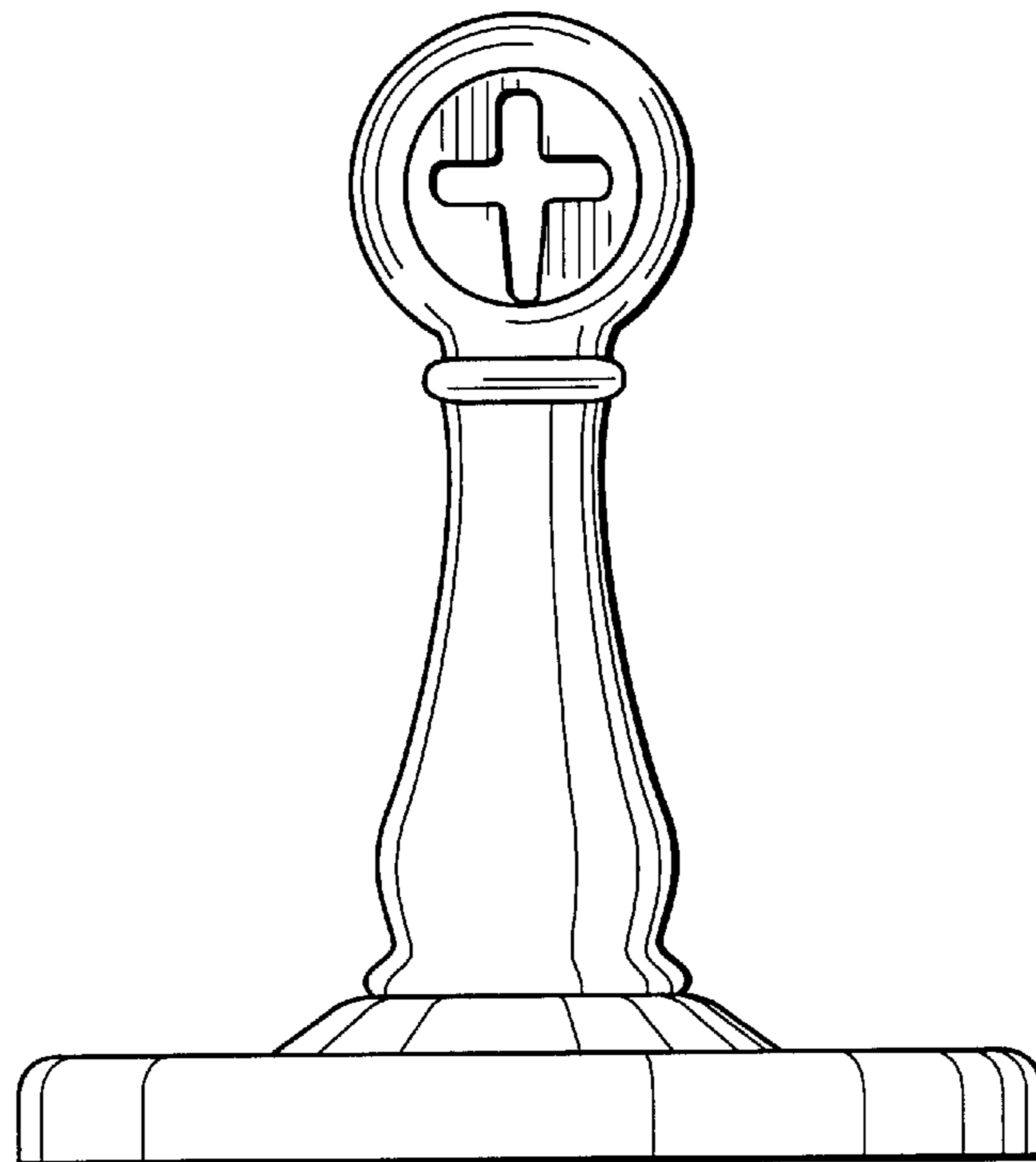


FIG. 5

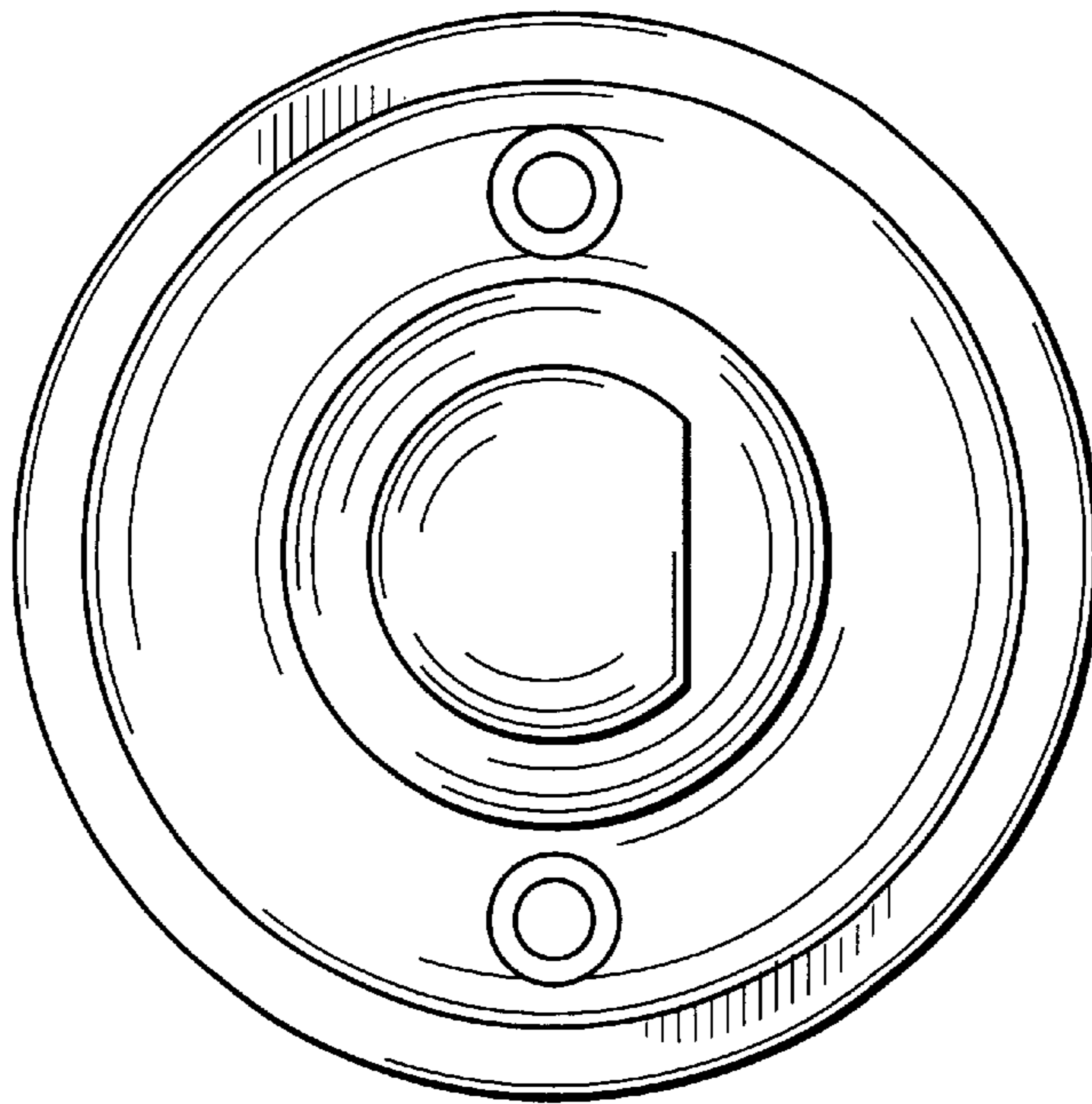


FIG. 6

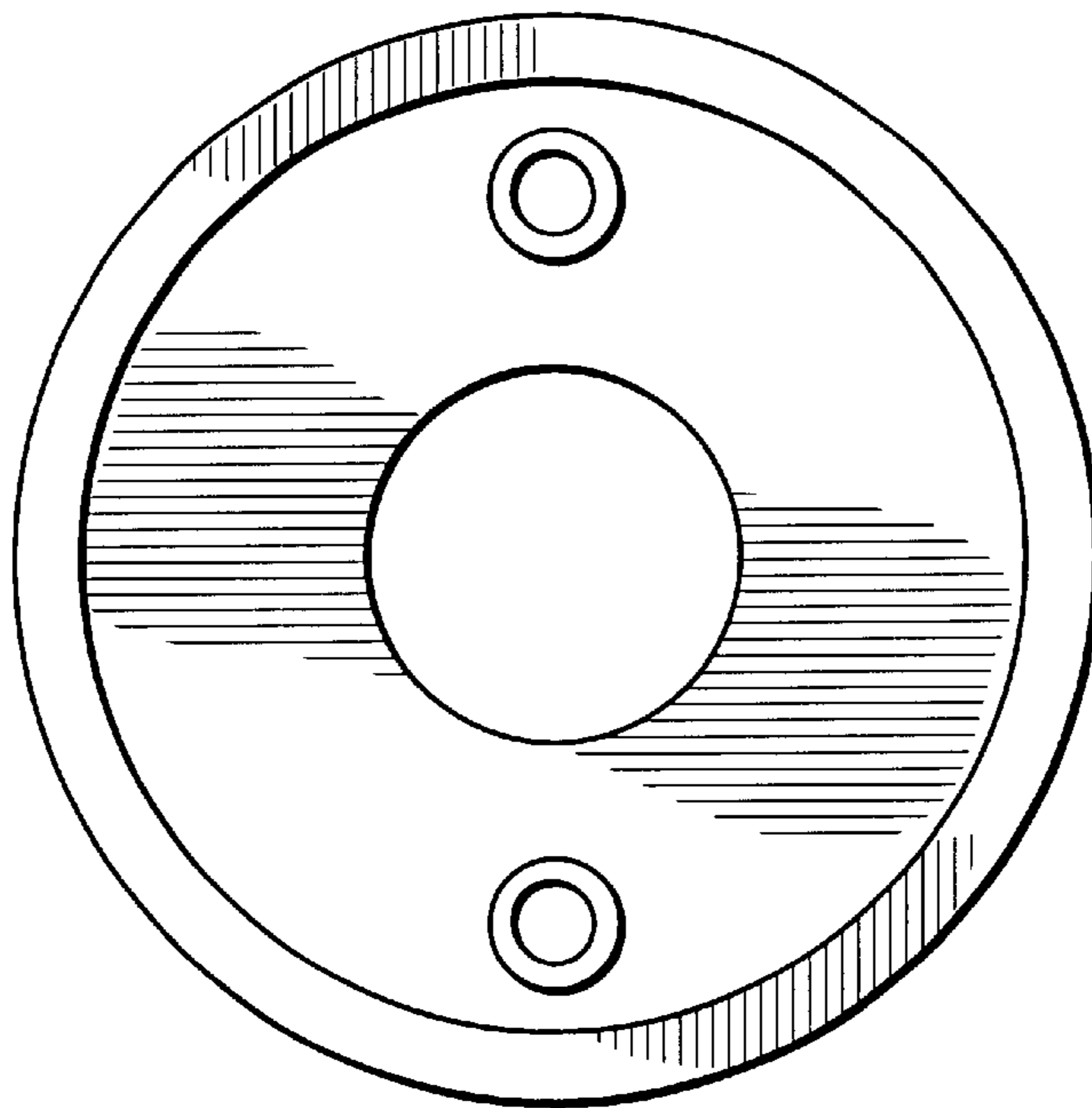


FIG. 7