



US00D465949S

(12) **United States Design Patent**
Garfunkle

(10) **Patent No.:** **US D465,949 S**

(45) **Date of Patent:** **** Nov. 26, 2002**

(54) **CHAIR ARM**

D460,645 S * 7/2002 Sabo D6/502

(75) Inventor: **Jay Garfunkle**, Oceanport, NJ (US)

* cited by examiner

(73) Assignee: **GAR Products, Inc.**, Lakewood, NJ (US)

Primary Examiner—Gary D. Watson

(74) *Attorney, Agent, or Firm*—McDonnell Boehnen Hulbert & Berghoff

(**) Term: **14 Years**

(57) **CLAIM**

(21) Appl. No.: **29/157,782**

The ornamental design for a chair arm, as shown and described.

(22) Filed: **Mar. 26, 2002**

(51) **LOC (7) Cl.** **06-06**

(52) **U.S. Cl.** **D6/501**

(58) **Field of Search** D6/334, 369, 374,
D6/376, 379, 380, 500, 501, 502; 297/411.2,
445.1, 446.1

DESCRIPTION

(56) **References Cited**

U.S. PATENT DOCUMENTS

- D235,085 S * 5/1975 Winrow D6/334
- D345,868 S * 4/1994 McGuire et al. D6/369
- D359,176 S * 6/1995 Tihany D6/379
- D433,576 S * 11/2000 Hutton D6/379 X

FIG. 1 is a perspective view of a chair arm, FIG. 2 is a side view of the chair arm shown in FIG. 1, FIG. 3 is a front view of the chair arm shown in FIG. 1, FIG. 4 is another side view of the chair arm shown in FIG. 1, FIG. 5 is a rear view of the chair arm shown in FIG. 1, FIG. 6 is a top view of chair arm shown in FIG. 1; and, FIG. 7 is a bottom view of the chair arm shown in FIG. 1. The broken lines shown are for illustrative purposes only and form no part of the claimed design.

1 Claim, 4 Drawing Sheets

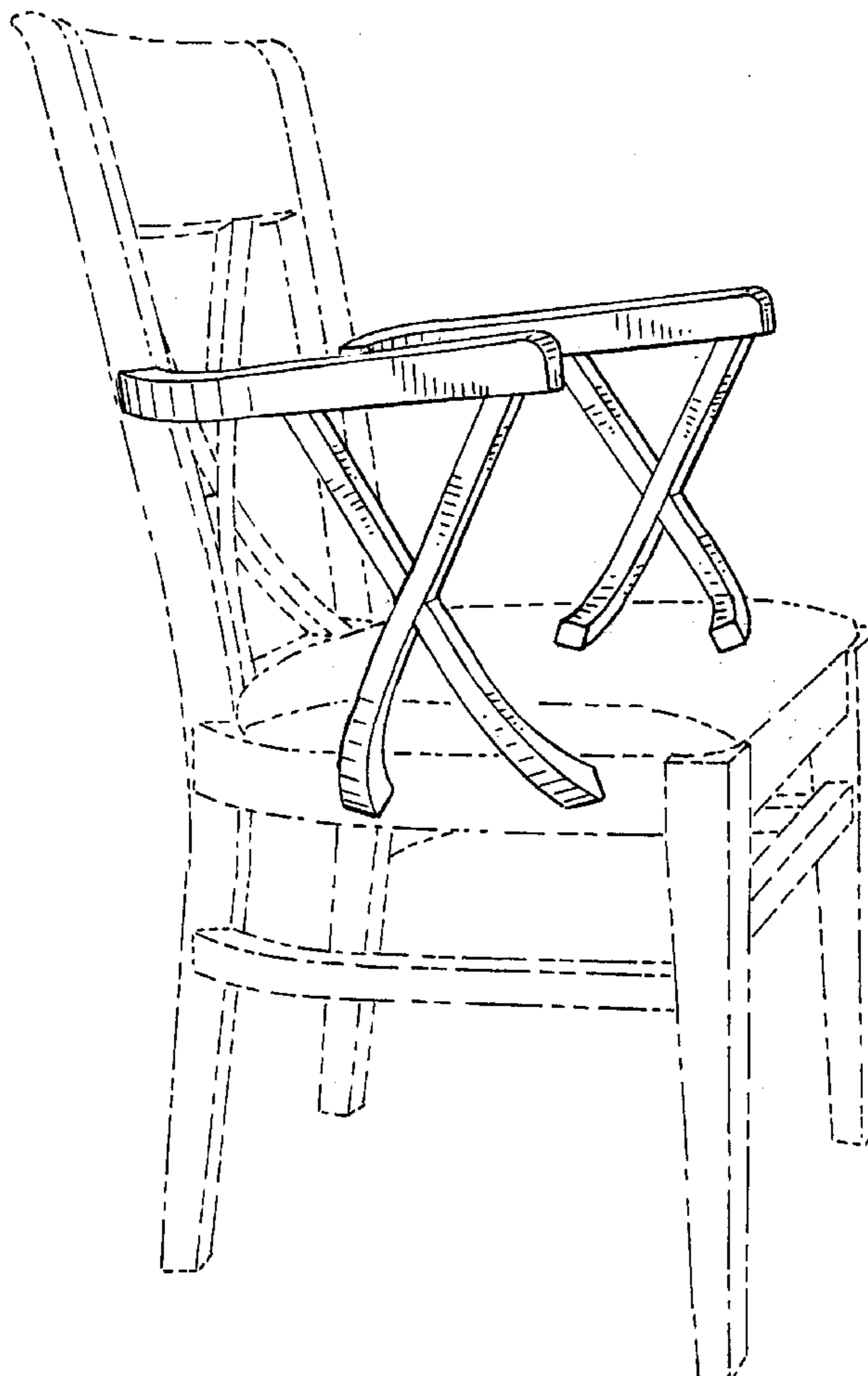


FIG. 1

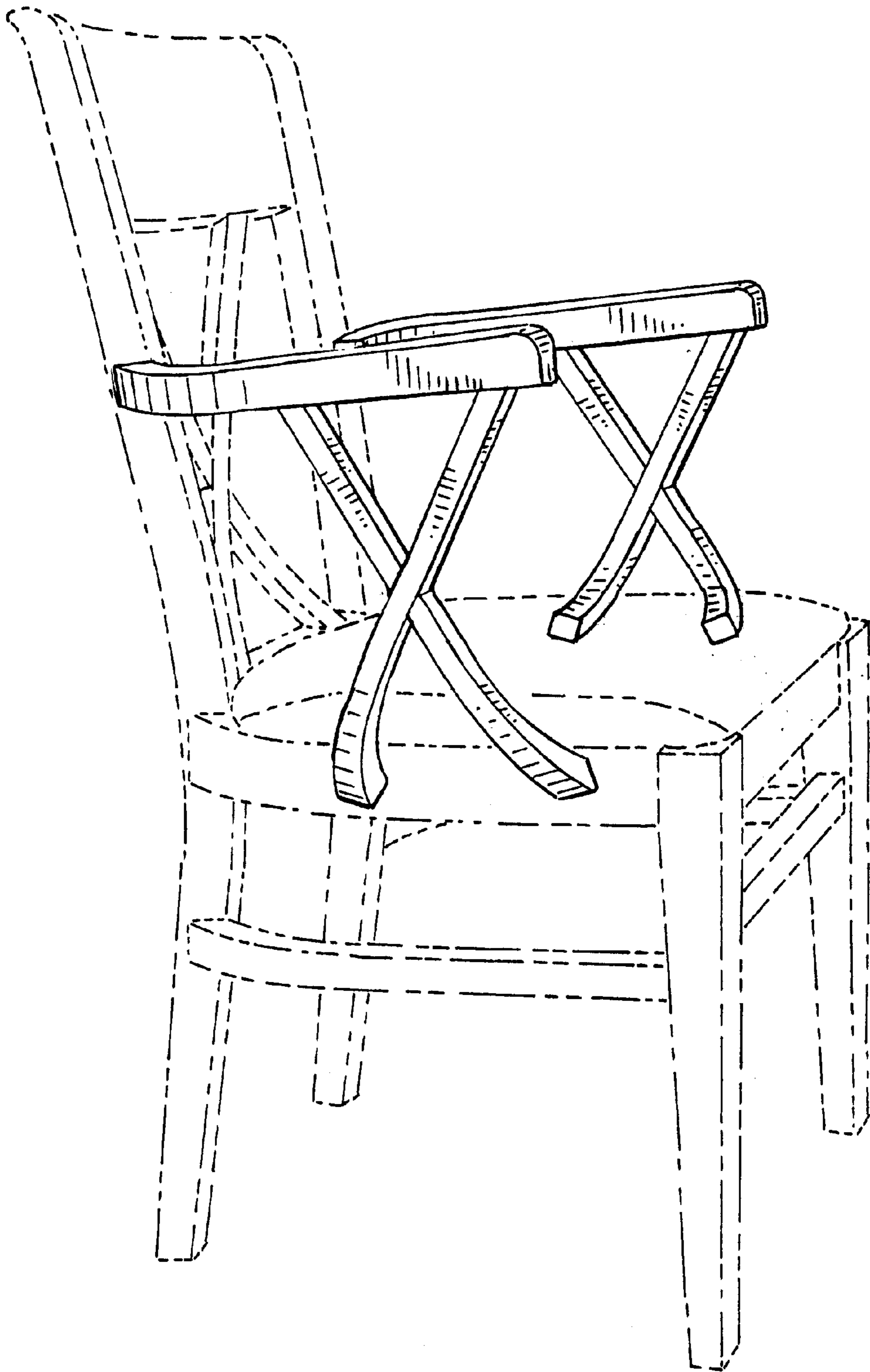


FIG. 2

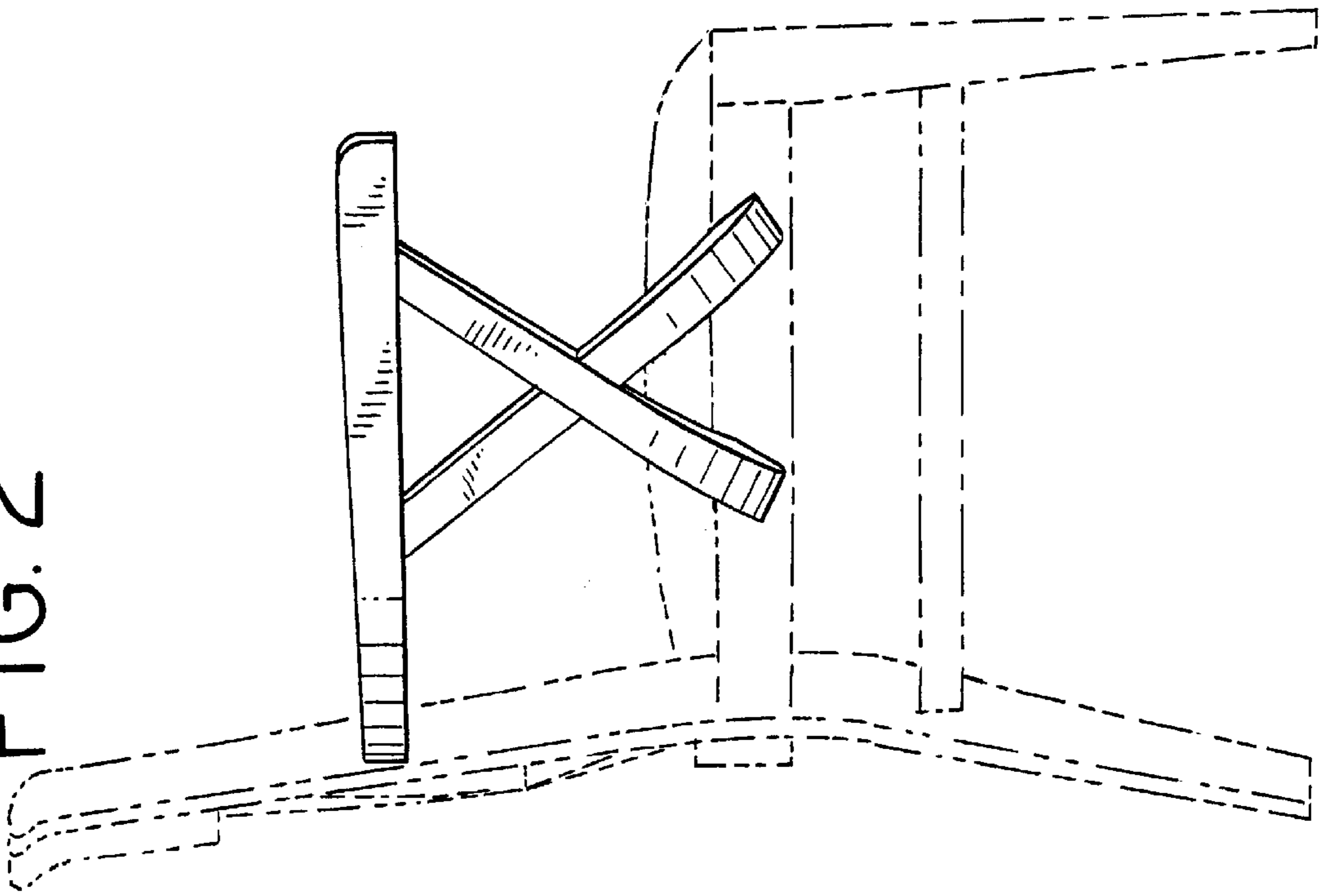


FIG. 3

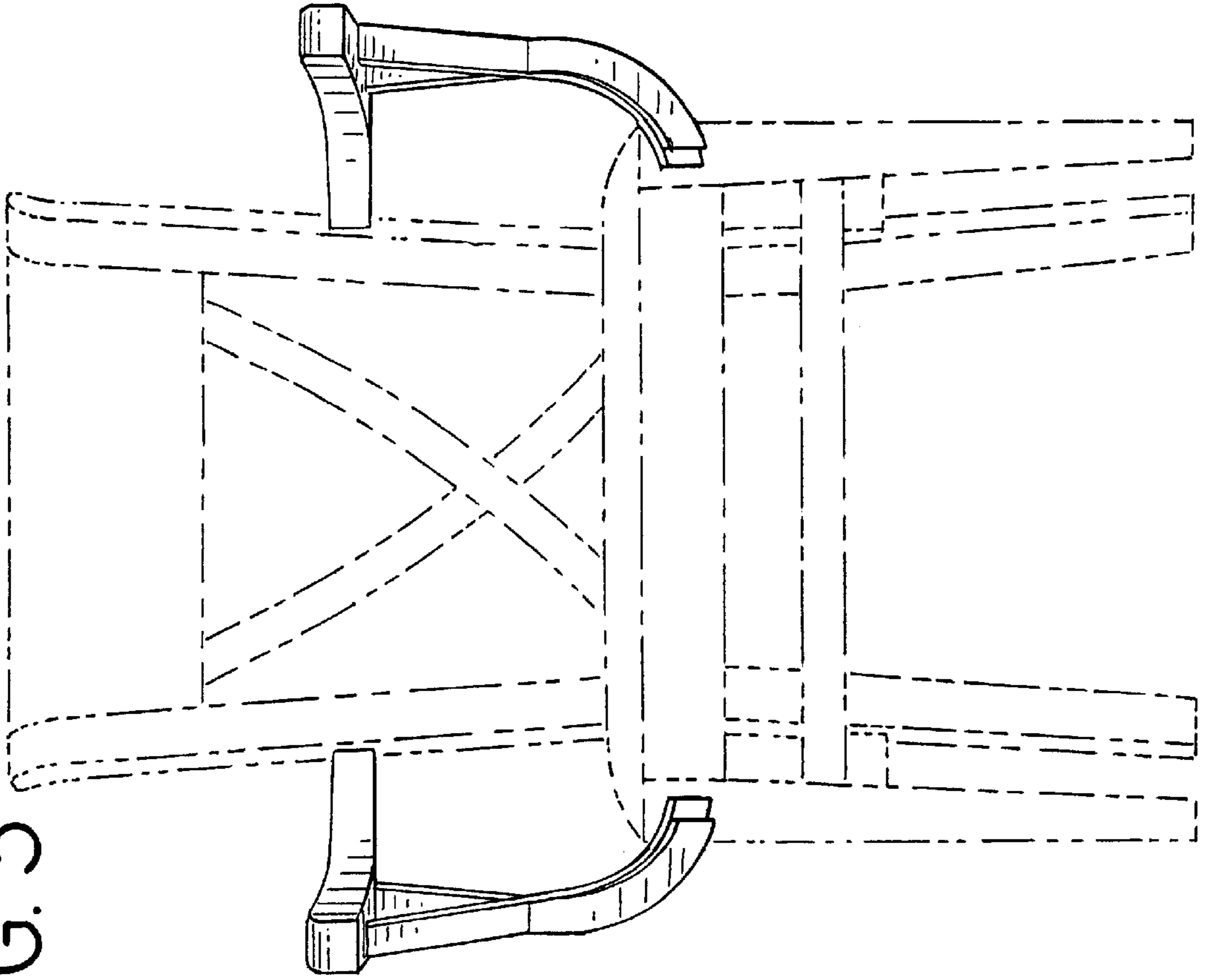


FIG. 5

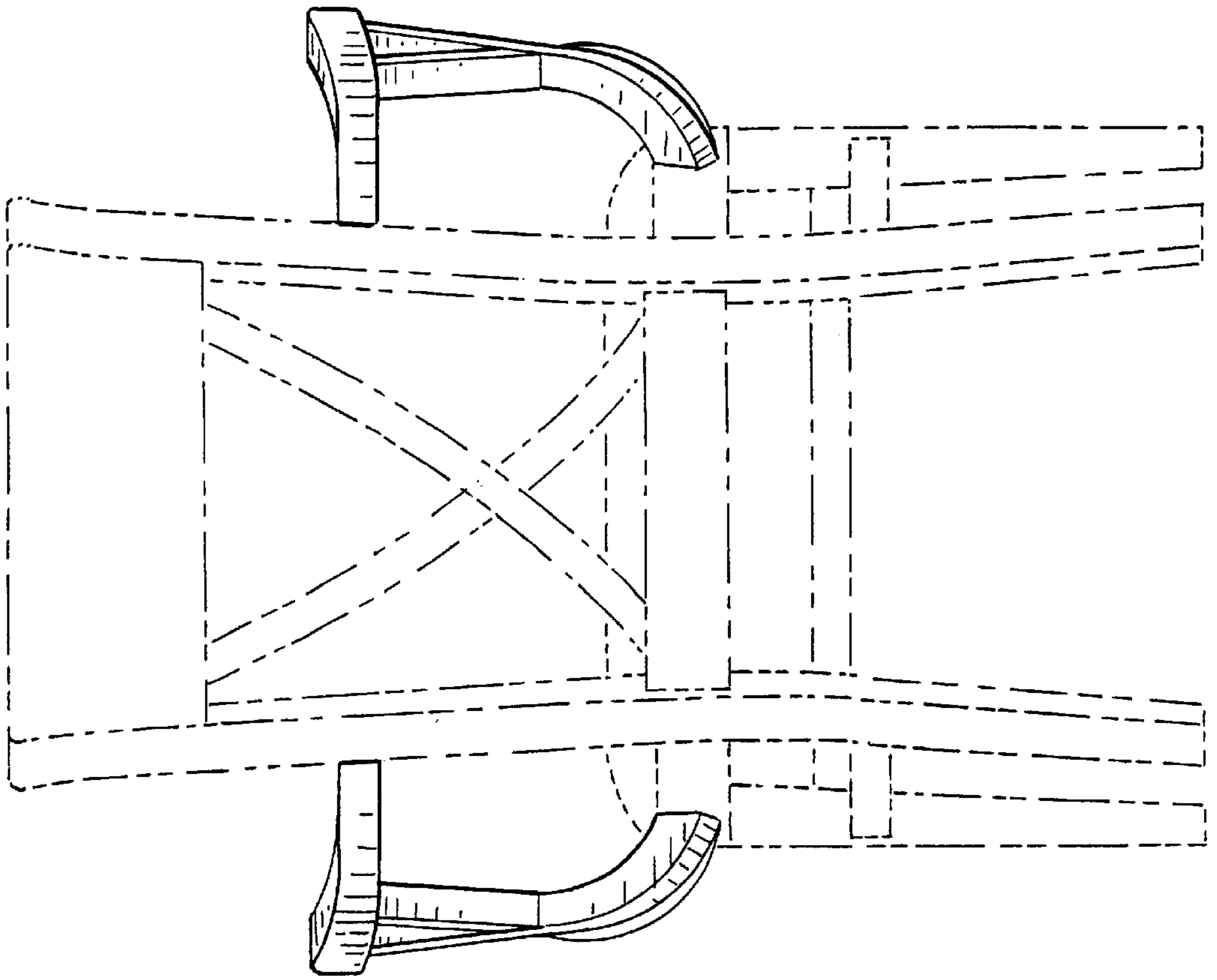


FIG. 4

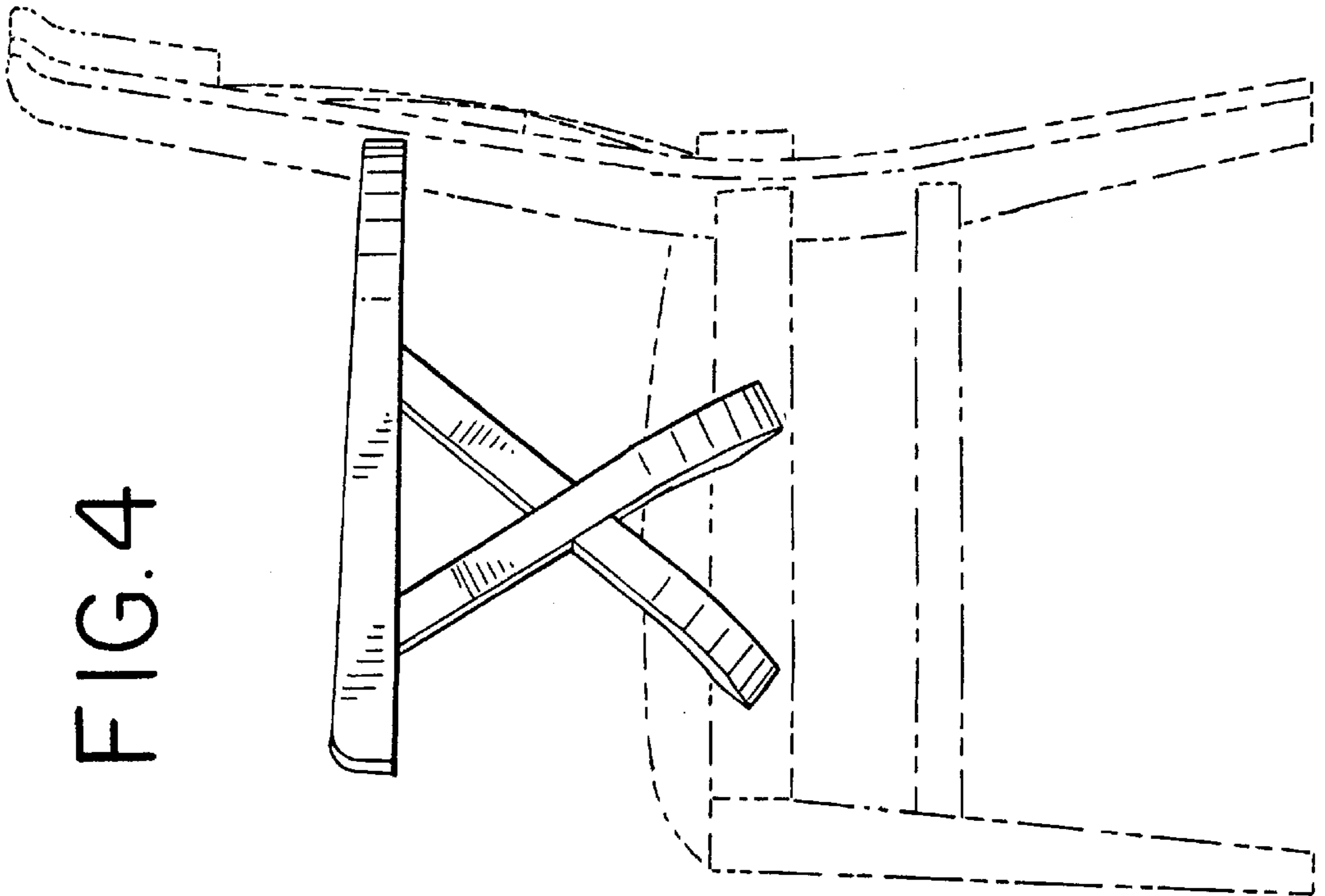


FIG. 6

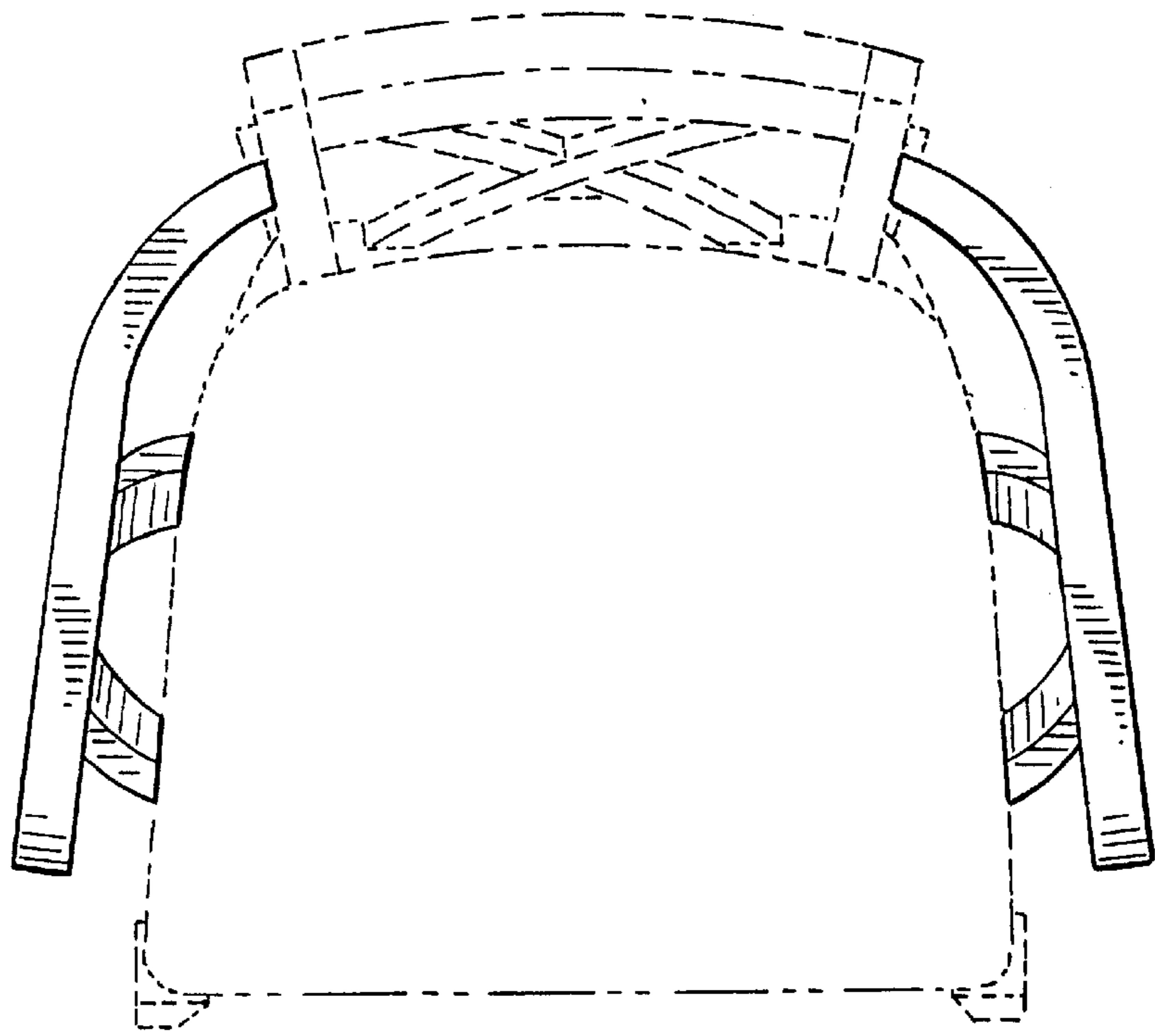


FIG. 7

