



US00D465948S

(12) **United States Design Patent**
Au et al.

(10) **Patent No.:** **US D465,948 S**

(45) **Date of Patent:** **** Nov. 26, 2002**

(54) **DISPLAYABLE WATCH CONTAINER**

D328,958 S * 8/1992 Bragin et al. D6/455 X

* cited by examiner

(76) Inventors: **Ho Ching Au**, Hong Kong (HK); **Juan Qiang Siao**, Hong Kong (HK)

Primary Examiner—Cathron C. Brooks

(**) Term: **14 Years**

(74) *Attorney, Agent, or Firm*—Raymond Y. Chan; David and Raymond Patent Group

(21) Appl. No.: **29/147,180**

(57) **CLAIM**

(22) Filed: **Oct. 16, 2001**

The ornamental design for a displayable watch container, as shown and described.

(51) **LOC (7) Cl.** **06-04**

DESCRIPTION

(52) **U.S. Cl.** **D6/471; D6/455**

FIG. 1 is a front view showing my new design.

(58) **Field of Search** D6/449, 455, 457,

FIG. 2 is a rear view thereof.

D6/466, 470, 471, 472, 475; 312/107, 114,

FIG. 3 is a right end view thereof.

117, 138.1, 204, 234

FIG. 4 is a left end view thereof.

(56) **References Cited**

FIG. 5 is a top view thereof.

U.S. PATENT DOCUMENTS

FIG. 6 is a bottom view thereof; and,

D236,172 S * 8/1975 Berlin D6/455

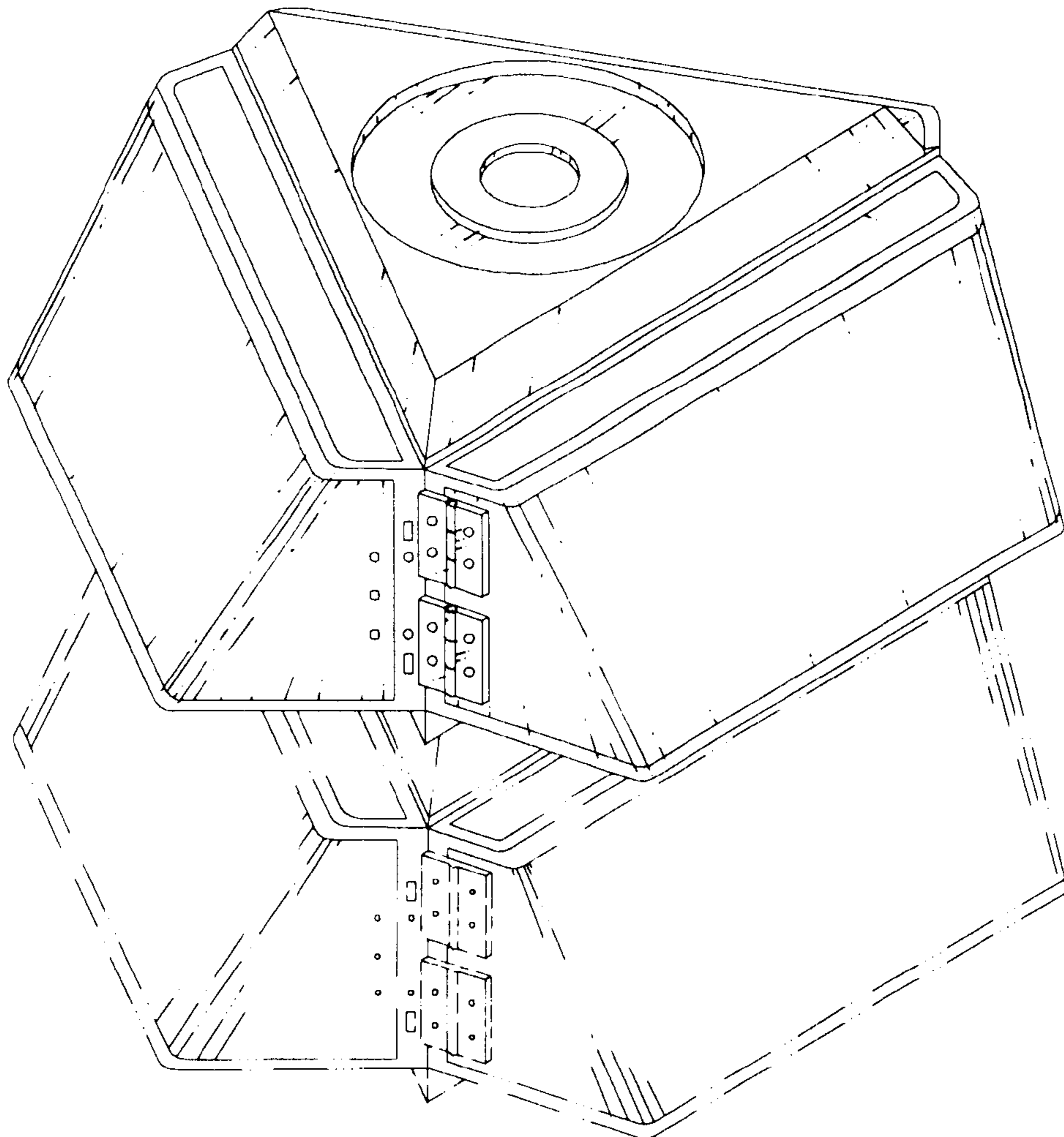
FIG. 7 is a perspective view thereof.

D274,491 S * 7/1984 Lietzke D6/470 X

The broken lines shown are for illustrative purposes only and form no part of the claimed design.

D289,059 S * 3/1987 Bosland D19/78

1 Claim, 4 Drawing Sheets



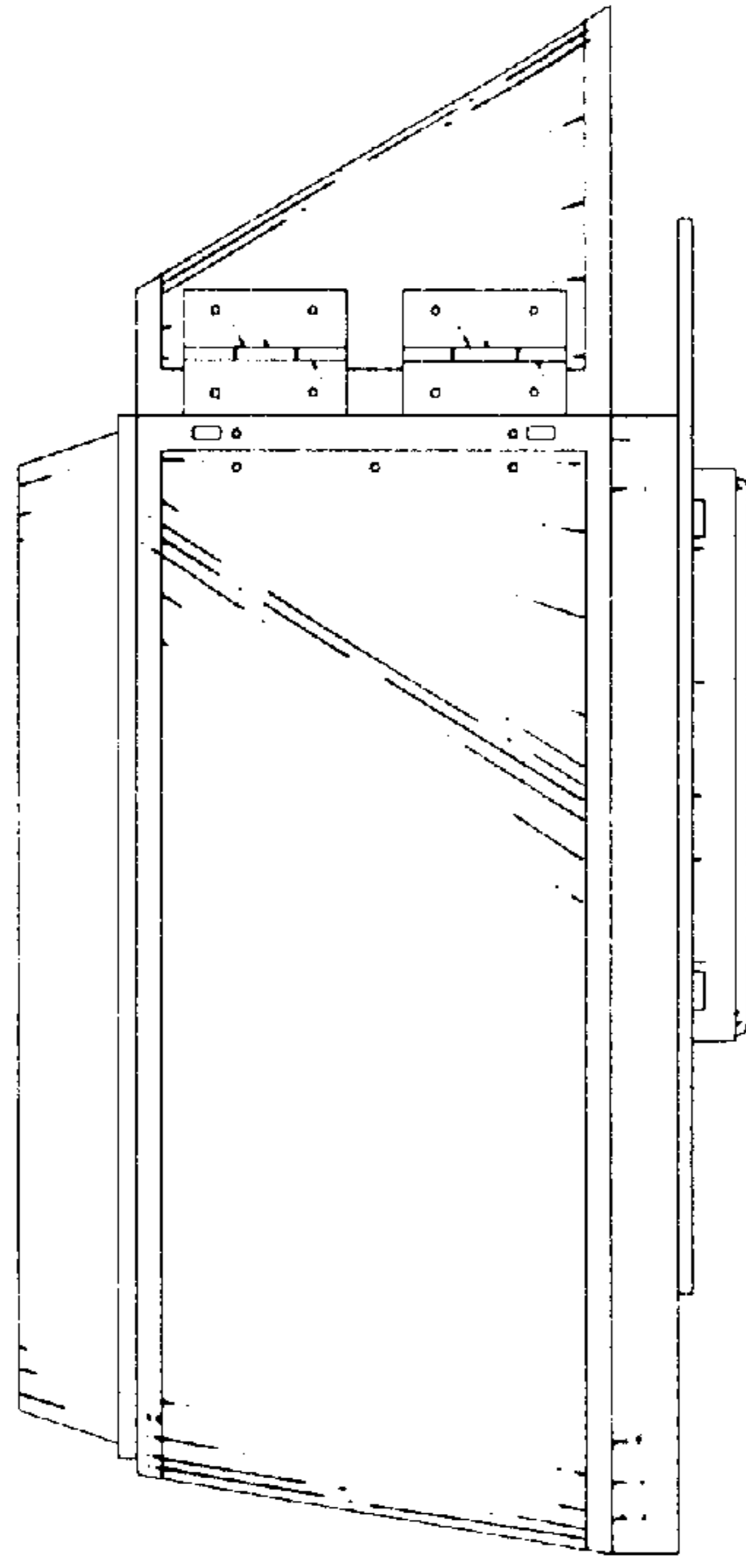


FIG. 2

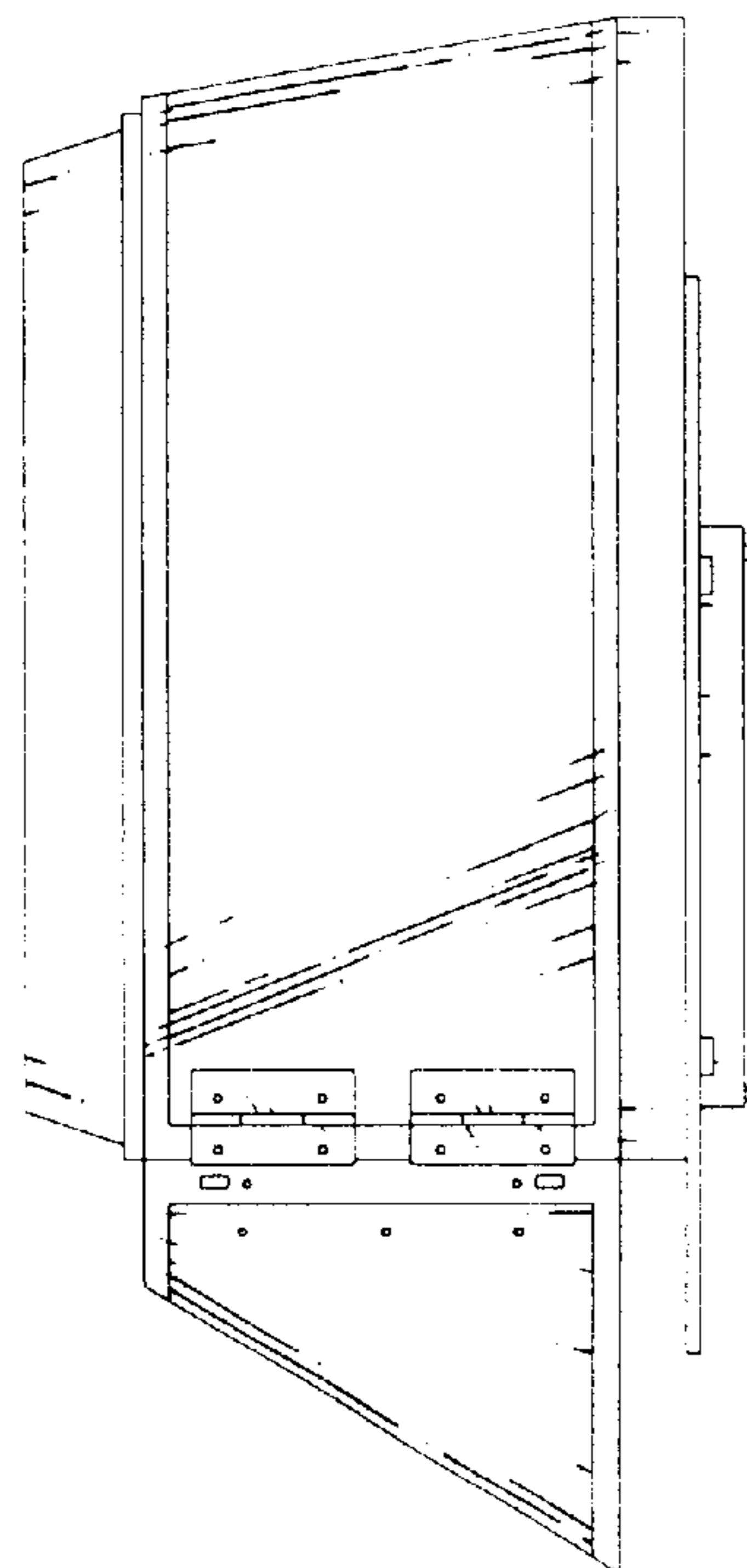


FIG. 1

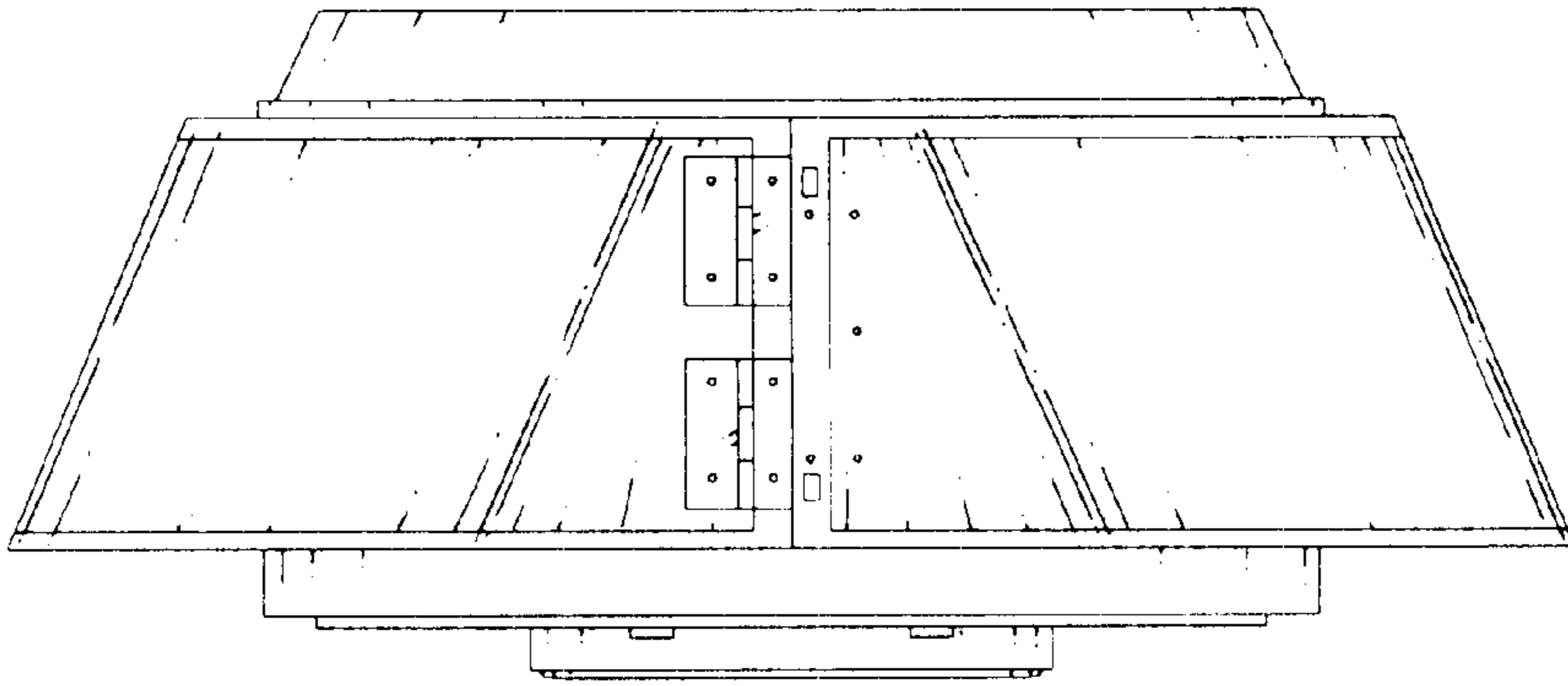


FIG.3

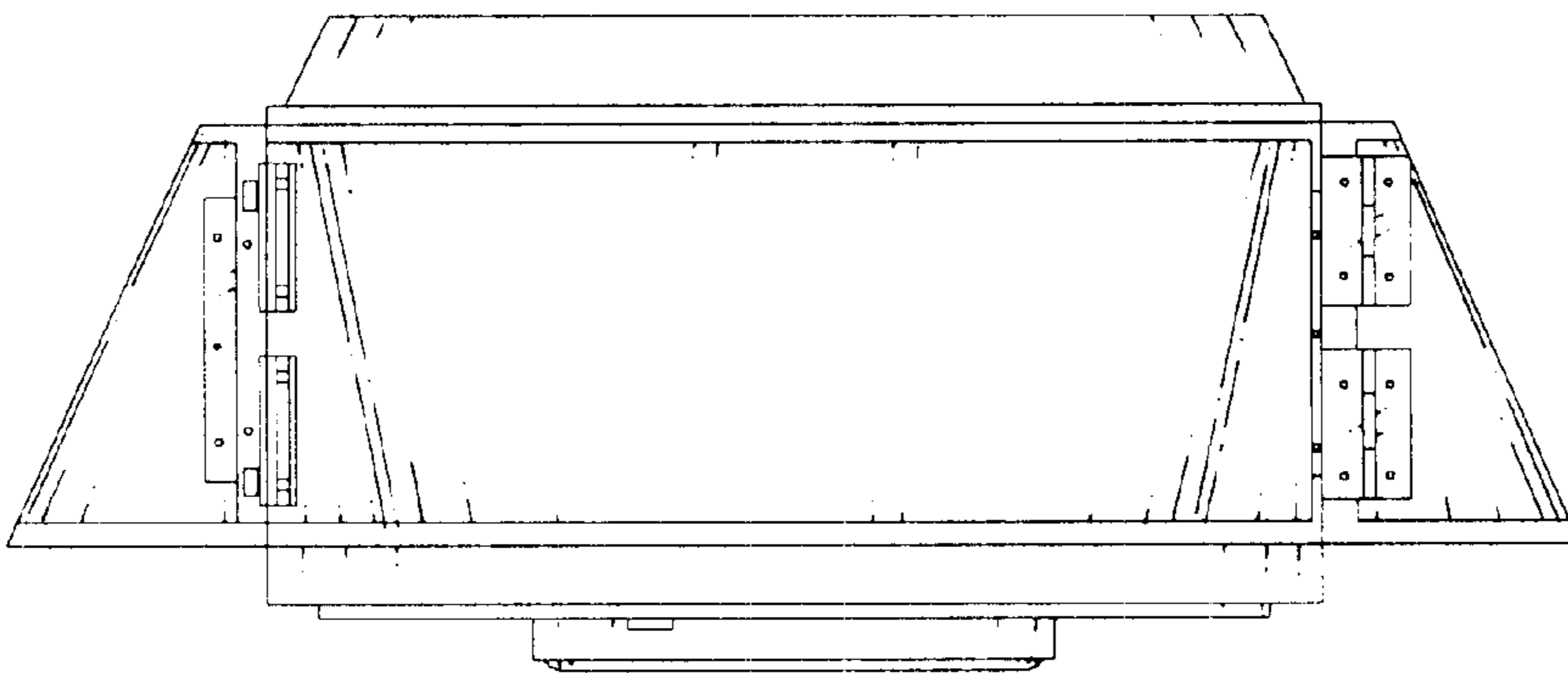


FIG.4

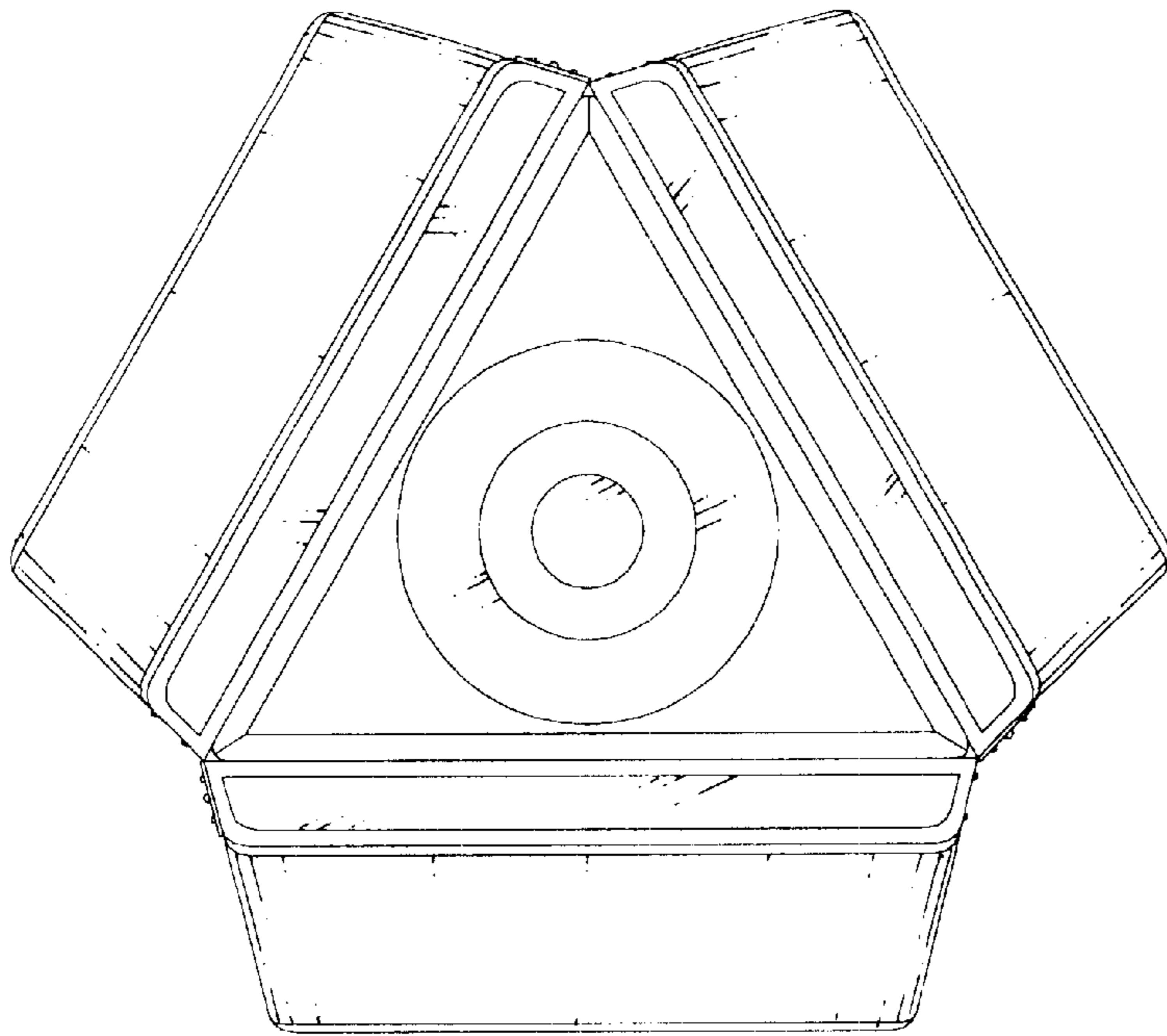


FIG.5

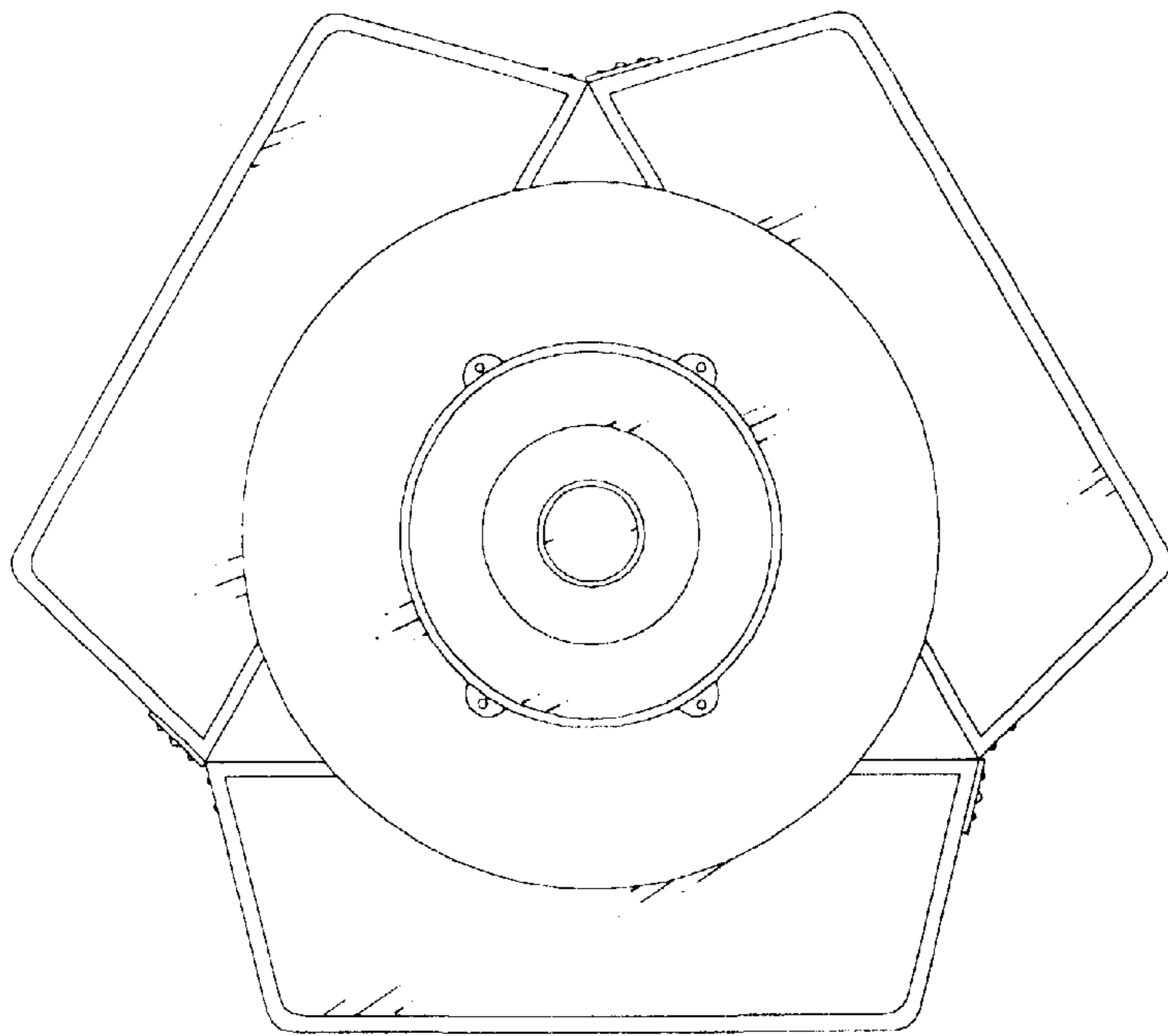


FIG.6

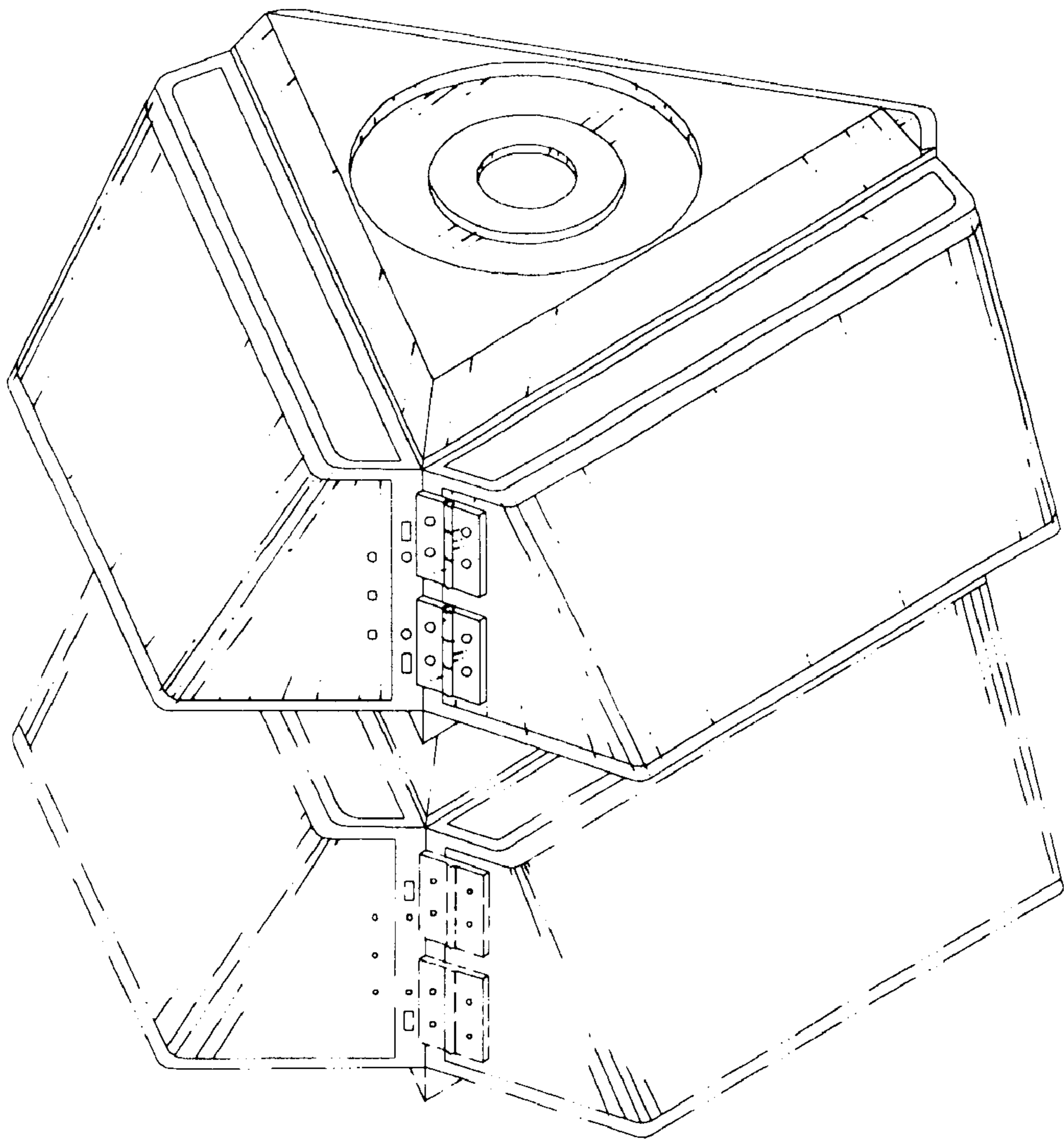


FIG.7