



US00D465945S

(12) **United States Design Patent**
Smith

(10) **Patent No.:** **US D465,945 S**

(45) **Date of Patent:** **** Nov. 26, 2002**

(54) **HANGING DISPLAY FIXTURE**

(76) Inventor: **Loren G. Smith**, 3131 Snelling Ave.,
Minneapolis, MN (US) 55406

(**) Term: **14 Years**

(21) Appl. No.: **29/155,678**

(22) Filed: **Feb. 15, 2002**

(51) **LOC (7) Cl.** **06-04**

(52) **U.S. Cl.** **D6/457**

(58) **Field of Search** D6/409-415, 449,
D6/455-458, 461-462, 464-468, 474, 476;
211/13.1, 85.1, 85.2, 85.3, 85.4, 85.5, 30,
33, 78, 64, 163, 196, 197, 198, 199, 200,
204, 205, 206; 312/114

(56) **References Cited**

U.S. PATENT DOCUMENTS

D211,546 S	*	6/1968	Reibold et al.	D6/476
D222,084 S	*	9/1971	Boley	D6/457
3,917,072 A	*	11/1975	Bleed	211/167
D241,394 S	*	9/1976	Widdowson	D6/468
D255,186 S	*	6/1980	Hupalowsky	D6/458
D318,195 S	*	7/1991	Wells et al.	D6/455

D332,709 S	*	1/1993	Dayan	D6/415
D343,971 S	*	2/1994	McClave	D6/455
5,529,192 A	*	6/1996	Conen et al.	211/189
D457,751 S	*	5/2002	Stafford et al.	D6/456

OTHER PUBLICATIONS

Plexico Plastics, floor display, WS-AB-FD-46.8, X-Boxes,
1987.*

* cited by examiner

Primary Examiner—Cathron C. Brooks

(57) **CLAIM**

The ornamental design for a hanging display fixture, as
shown and described.

DESCRIPTION

FIG. 1 is a perspective view of the hanging display fixture
showing my new design;
FIG. 2 is a front elevational view thereof;
FIG. 3 is a side elevational view thereof, the opposite side
being a mirror image thereof;
FIG. 4 is a top plan view thereof; and,
FIG. 5 is a bottom plan view thereof.

1 Claim, 4 Drawing Sheets

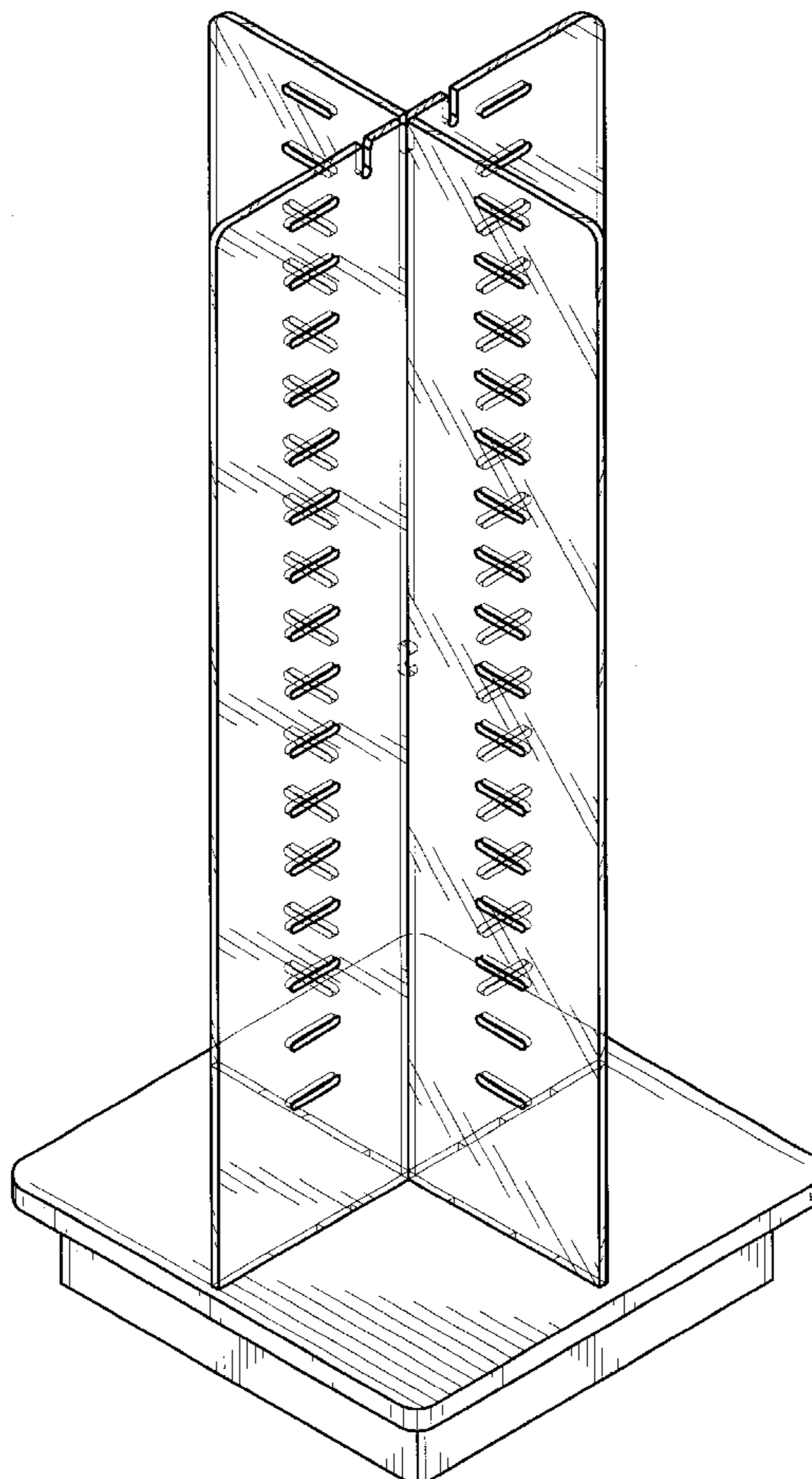


FIG. 1

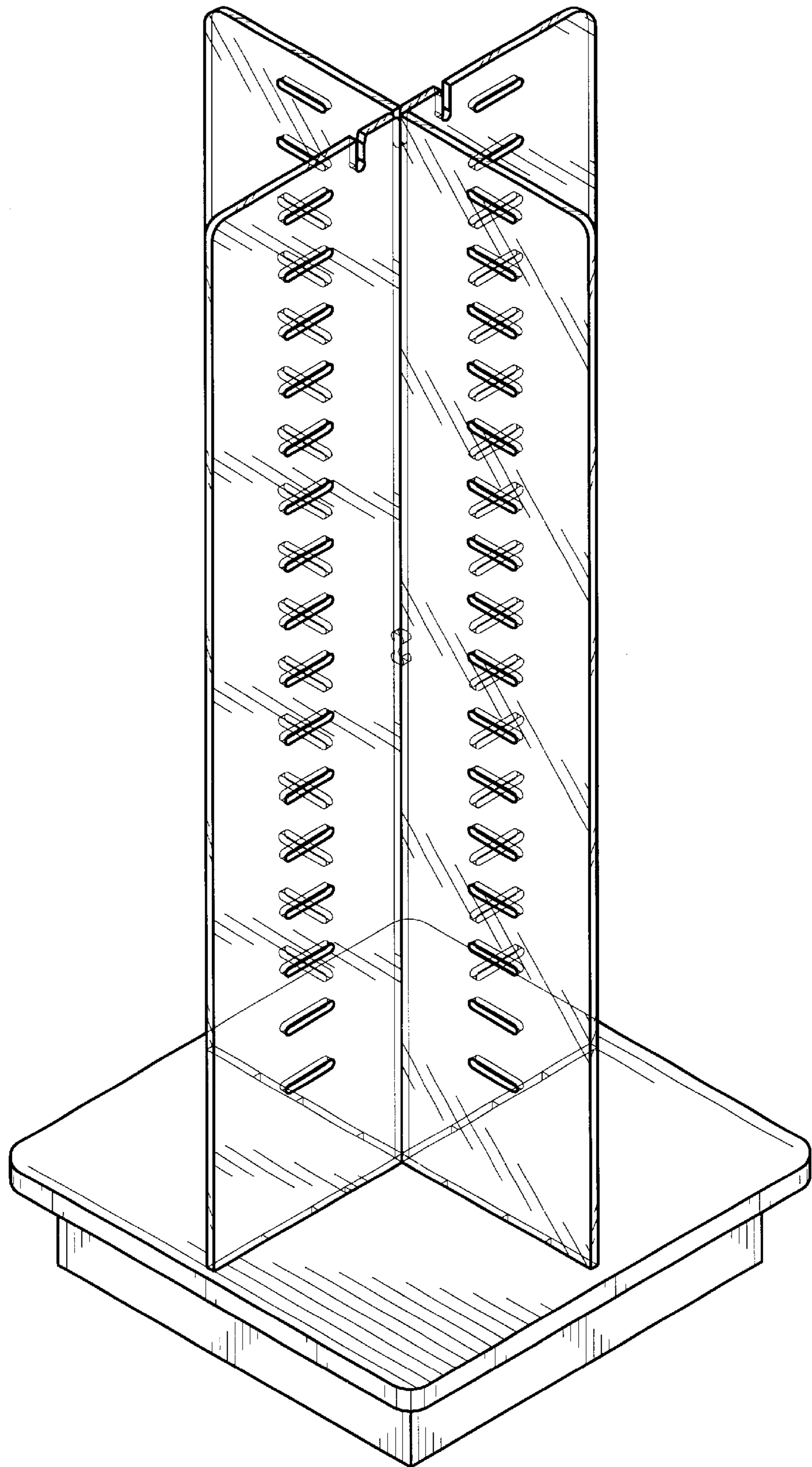


FIG. 2

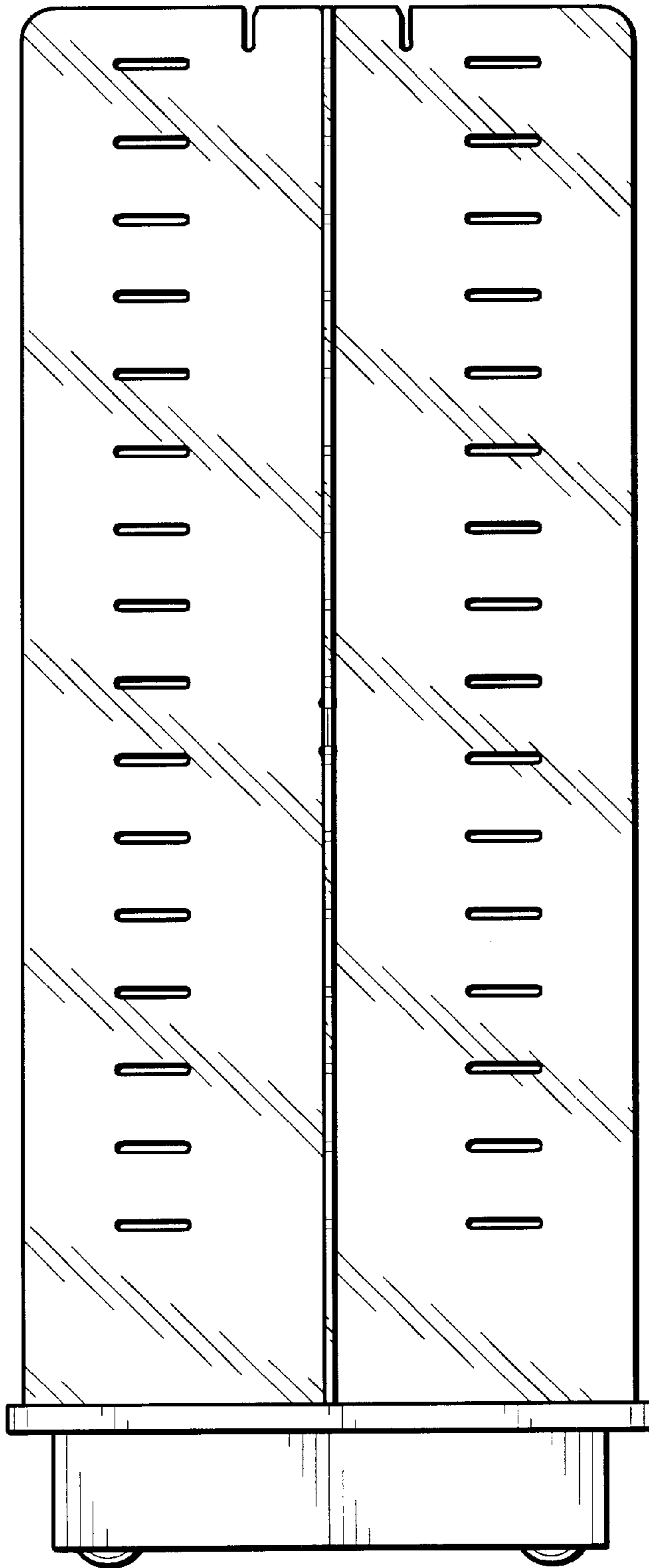


FIG. 3

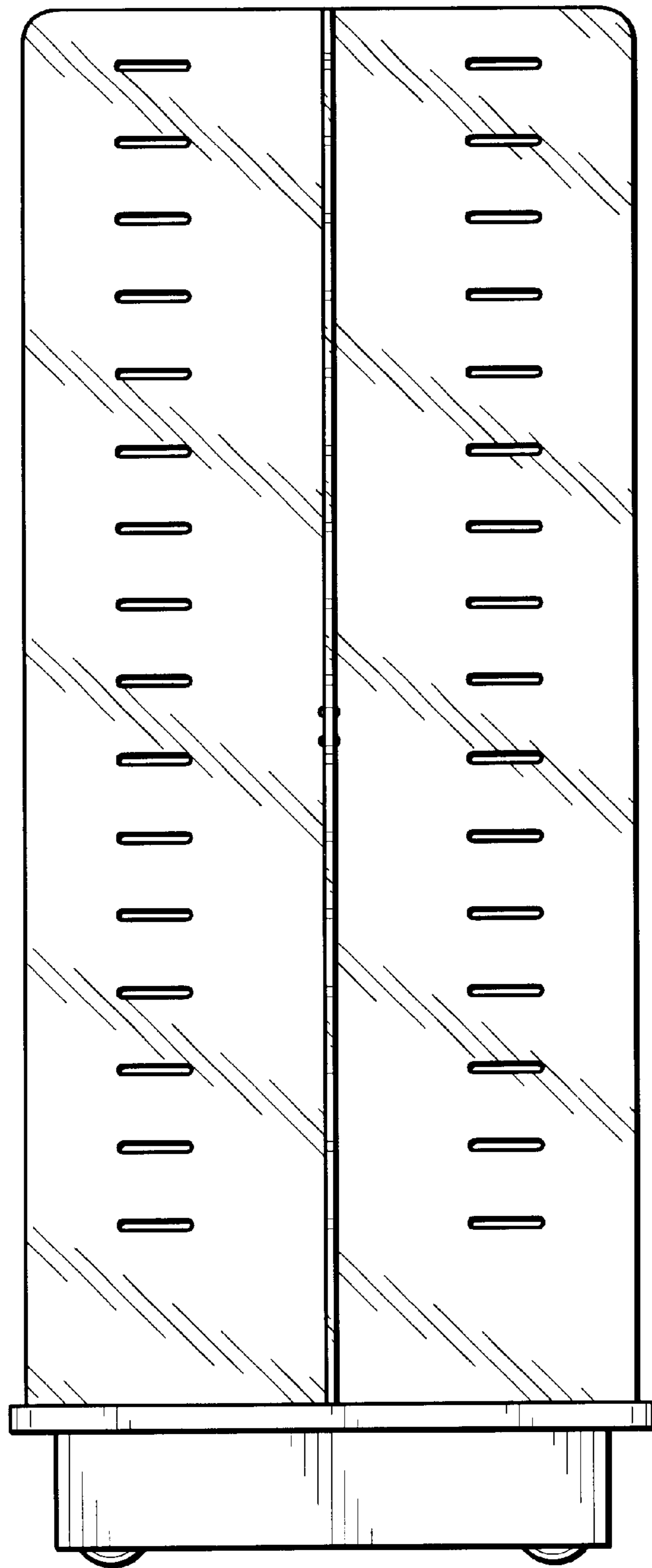


FIG. 4

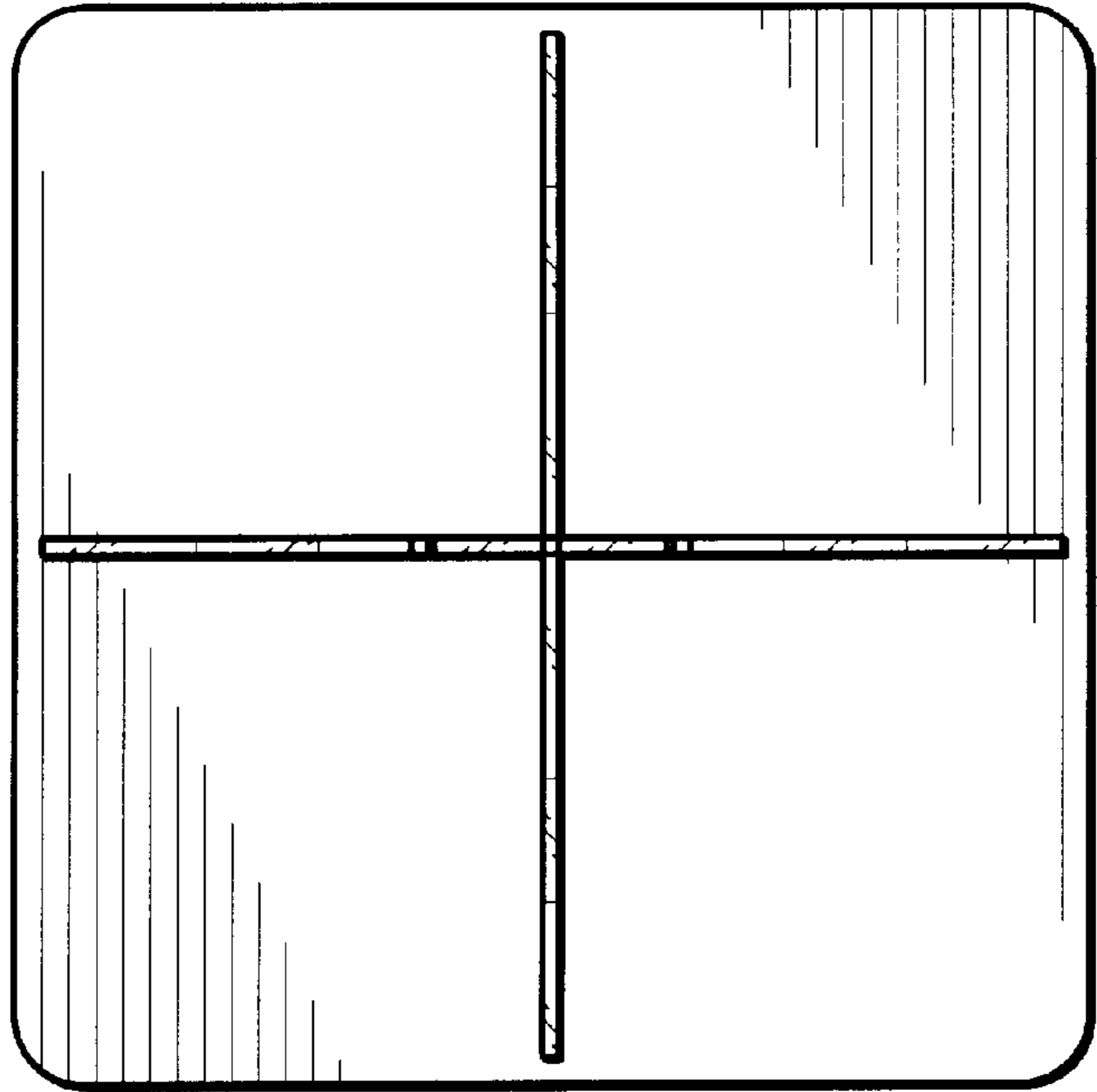


FIG. 5

