



US00D465938S

(12) **United States Design Patent**
Huang

(10) **Patent No.:** **US D465,938 S**

(45) **Date of Patent:** **** Nov. 26, 2002**

(54) **CHAIR**

(75) Inventor: **William W. Huang**, City of Industry,
CA (US)

(73) Assignee: **Norstar Office Products, Inc.**, City of
Industry, CA (US)

(**) Term: **14 Years**

(21) Appl. No.: **29/153,433**

(22) Filed: **Jan. 8, 2002**

(51) **LOC (7) Cl.** **06-01**

(52) **U.S. Cl.** **D6/366**

(58) **Field of Search** D6/334, 364, 365,
D6/366, 367, 500, 501, 502; 297/411.2,
411.27, 411.28, 411.29

(56) **References Cited**

U.S. PATENT DOCUMENTS

D346,279 S	*	4/1994	Stumpf et al.	D6/366
D407,911 S	*	4/1999	Bräuning	D6/366
D410,799 S	*	6/1999	Meda	D6/366
D431,400 S	*	10/2000	Grove	D6/500

D437,701 S	*	2/2001	Bellini et al.	D6/366
D440,419 S	*	4/2001	Röder	D6/366
D449,174 S	*	10/2001	Neil	D6/366
D453,079 S	*	1/2002	Ma	D6/366
D456,626 S	*	5/2002	Su	D6/366

* cited by examiner

Primary Examiner—Gary D. Watson

(74) *Attorney, Agent, or Firm*—Alan Kamrath; Rider,
Bennett, Egan & Arundel, LLP

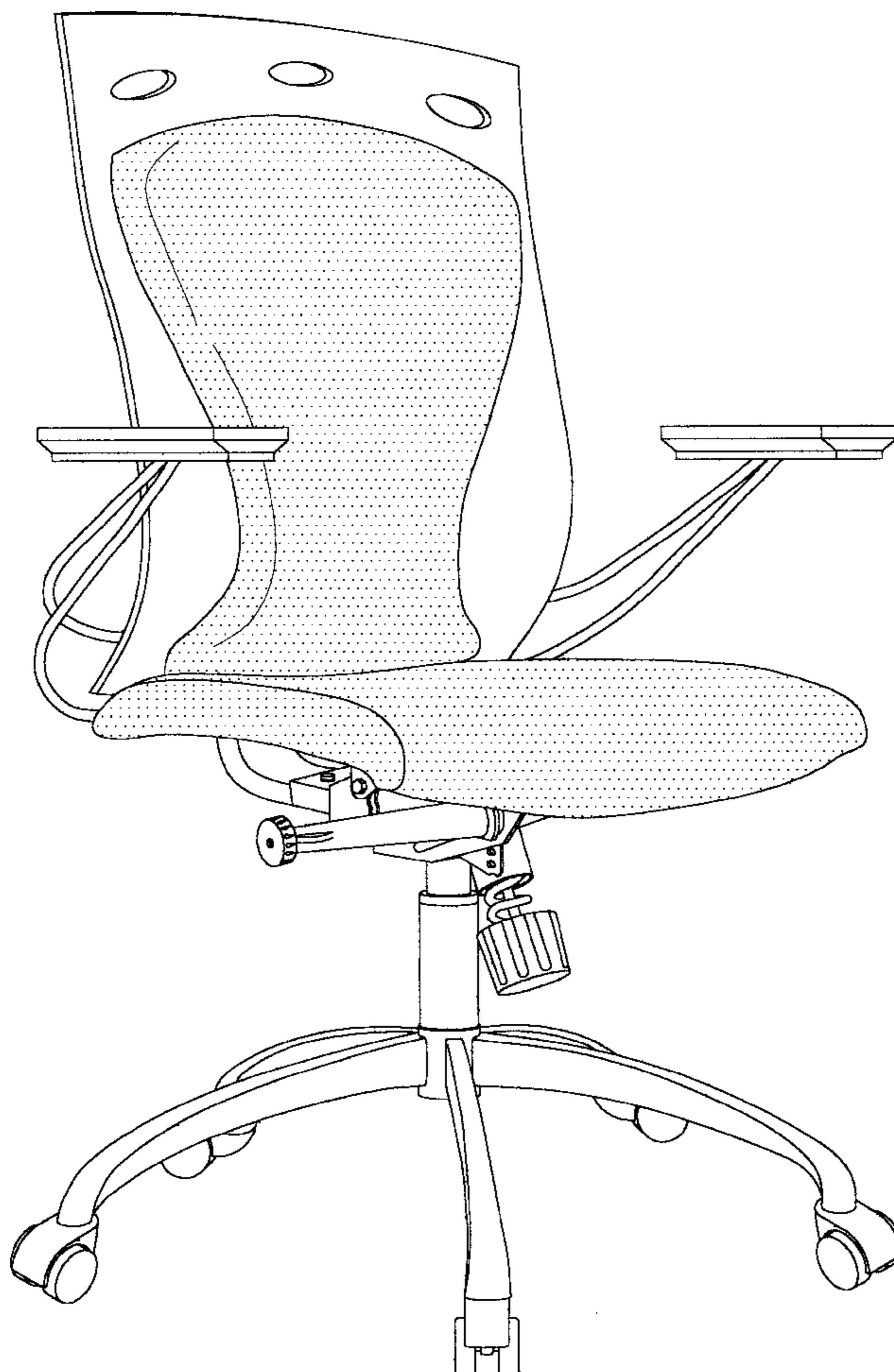
(57) **CLAIM**

The ornamental design for a chair, as shown and described.

DESCRIPTION

FIG. 1 is a perspective view of a chair showing my new design;
 FIG. 2 is a front elevational view thereof;
 FIG. 3 is a rear elevational view thereof;
 FIG. 4 is a left side elevational view thereof;
 FIG. 5 is a right side elevational view thereof;
 FIG. 6 is a top plan view thereof; and,
 FIG. 7 is a bottom plan view thereof.

1 Claim, 7 Drawing Sheets



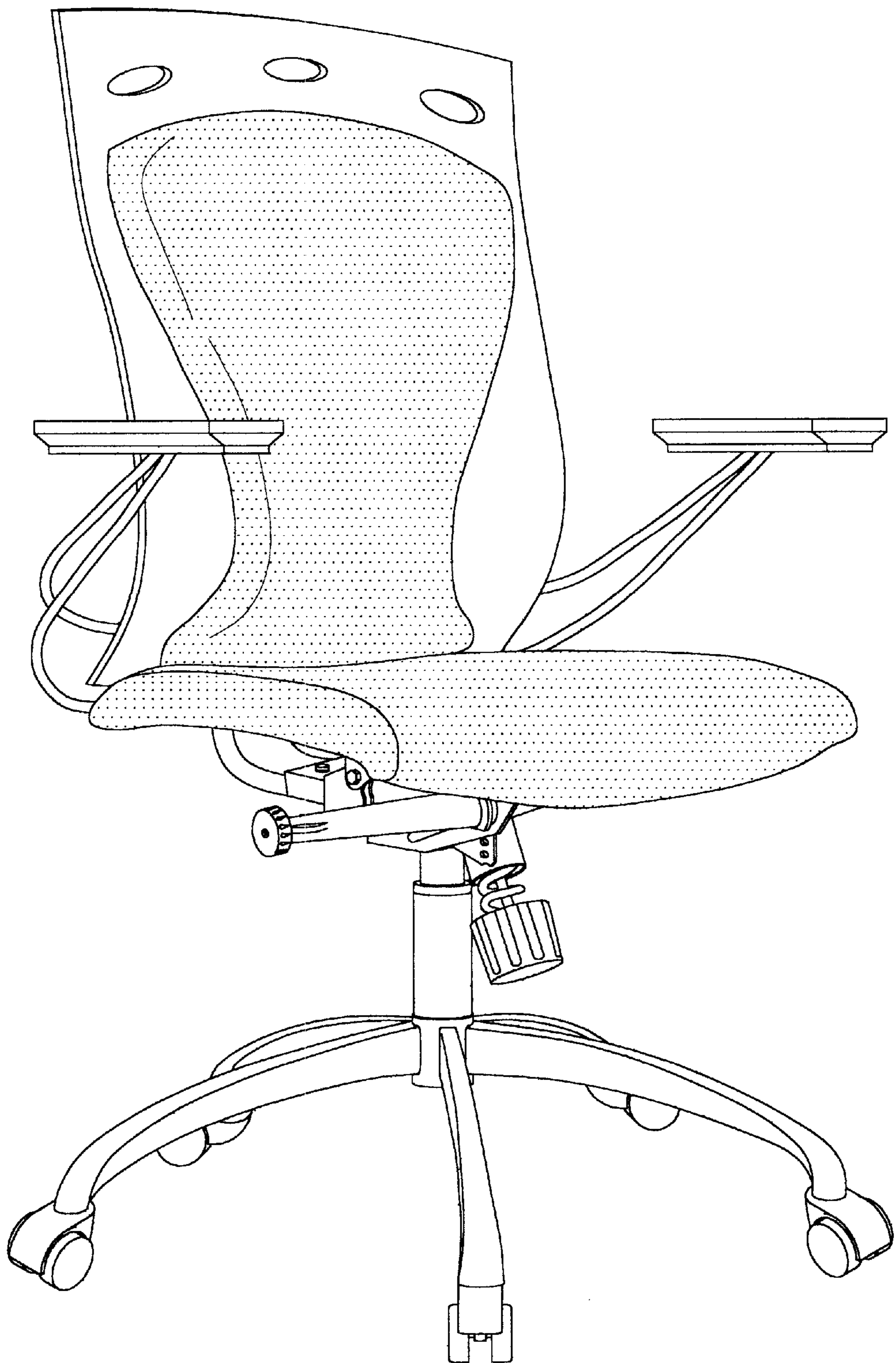


FIG. 1

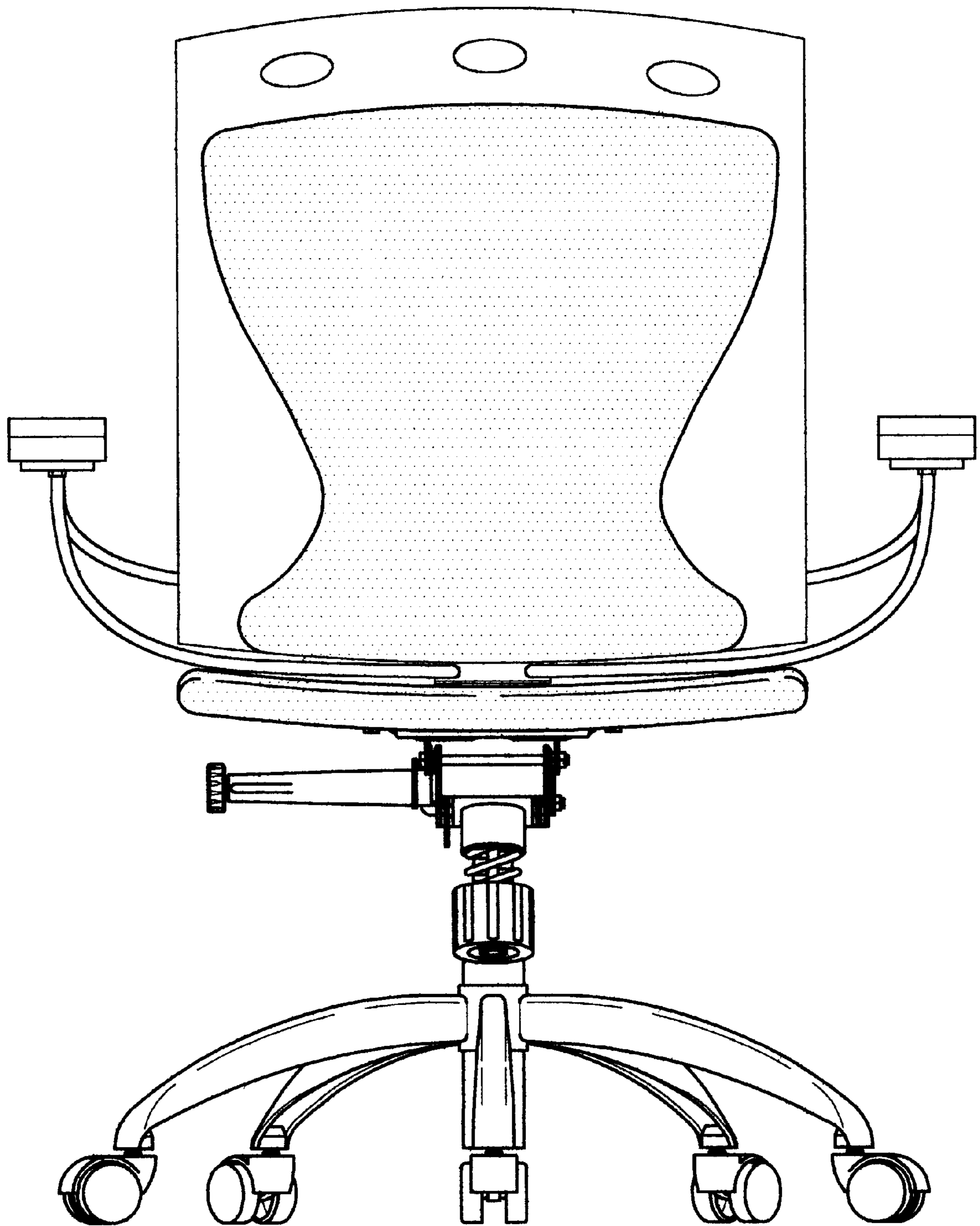


FIG. 2

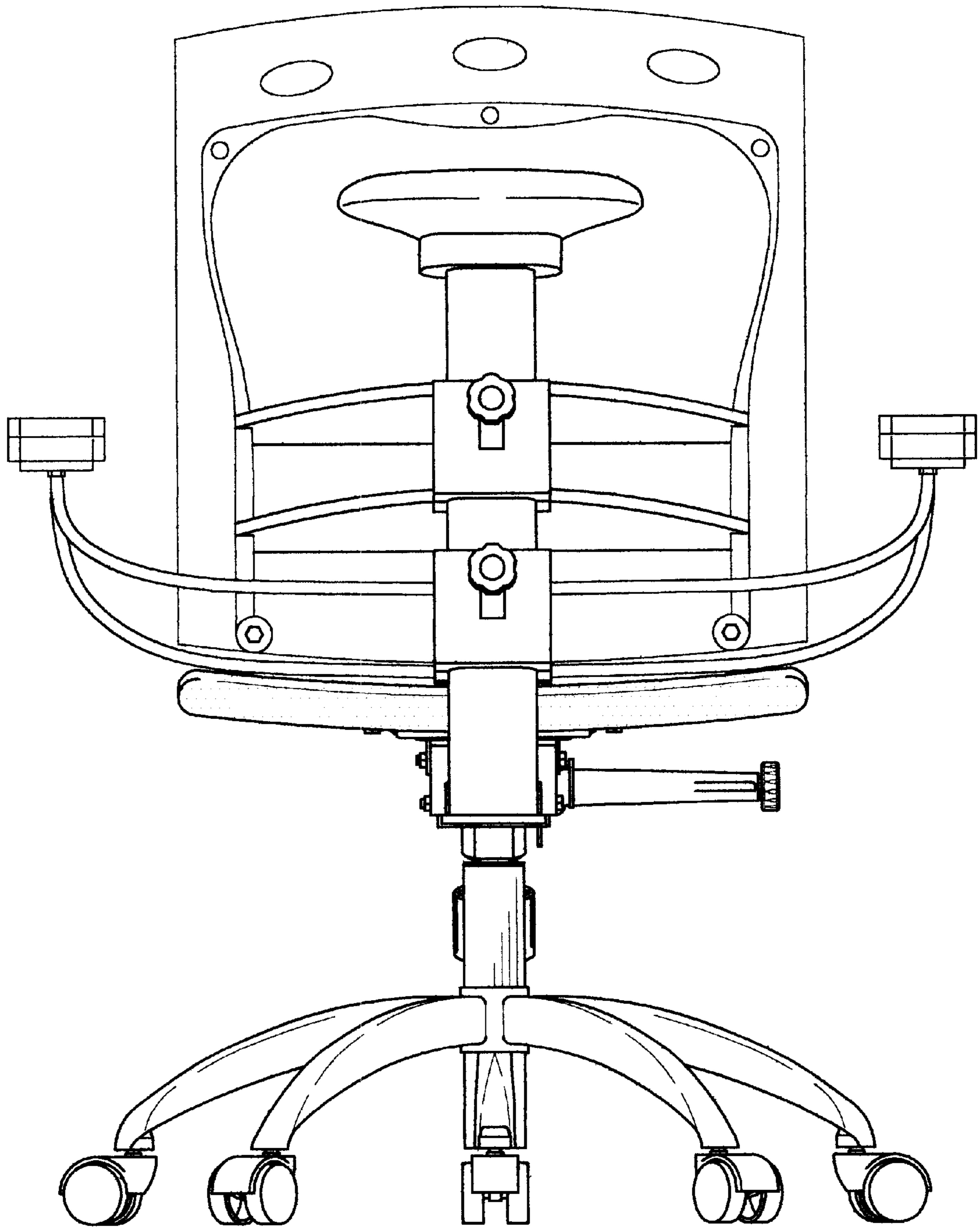


FIG. 3

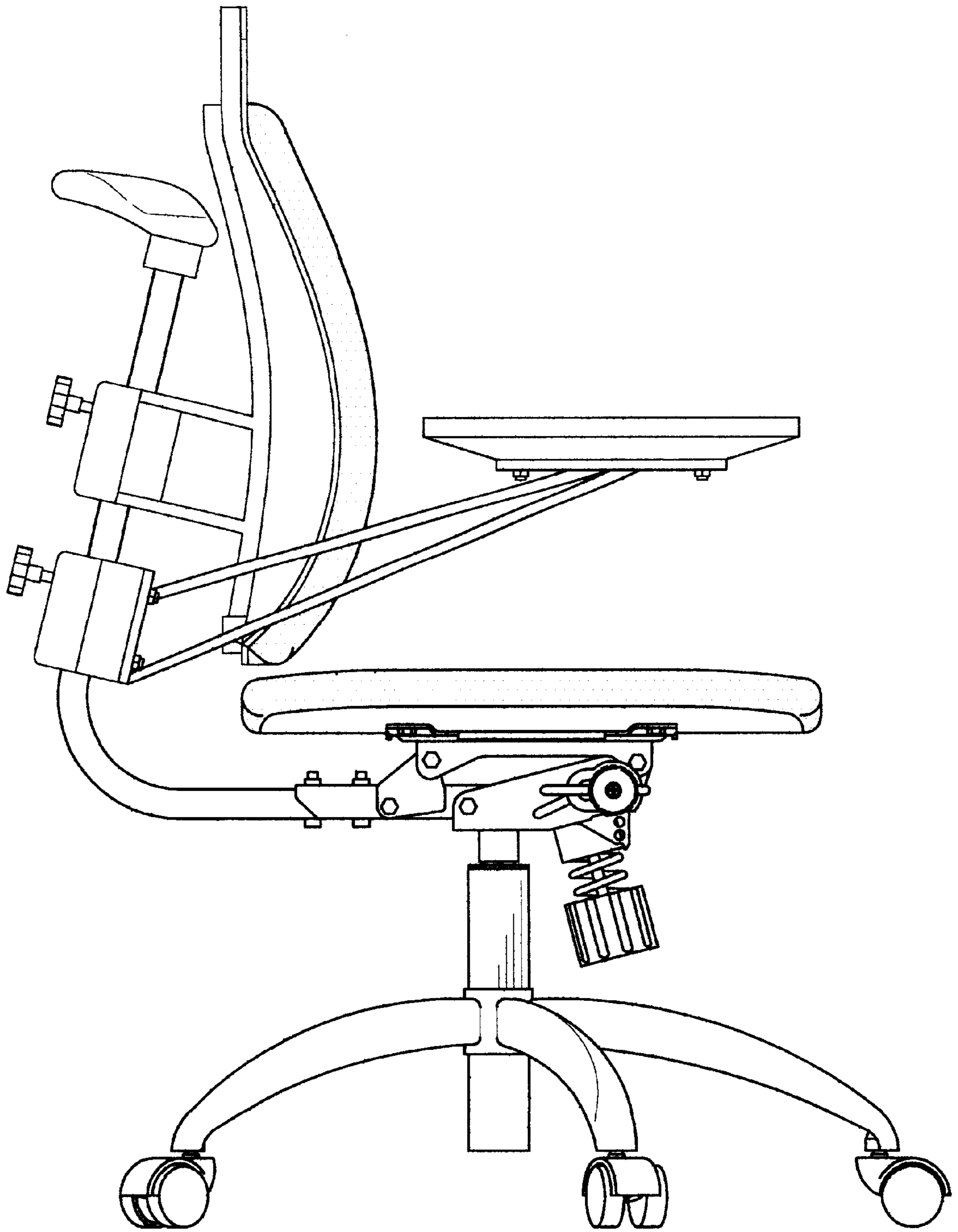


FIG. 4

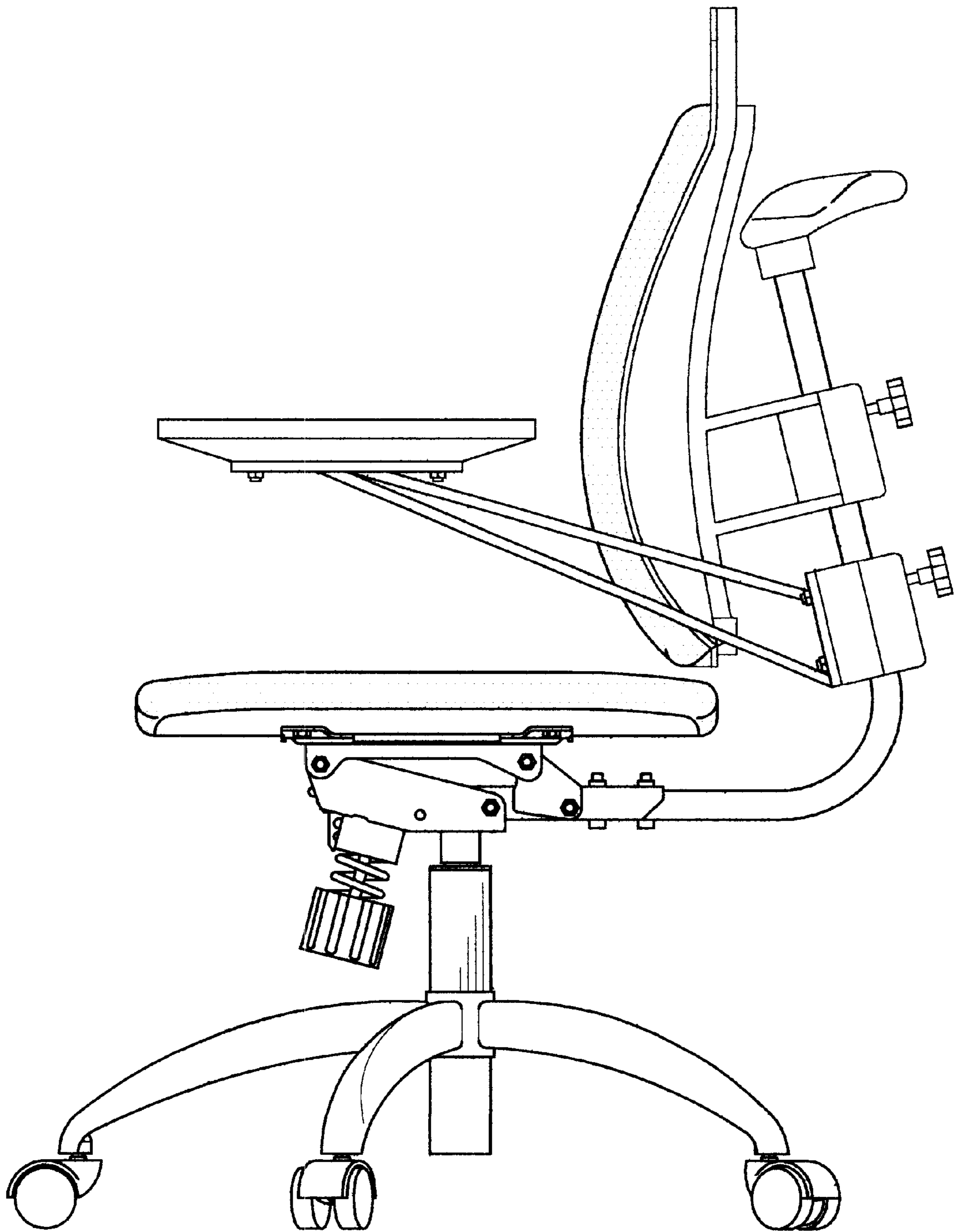


FIG. 5

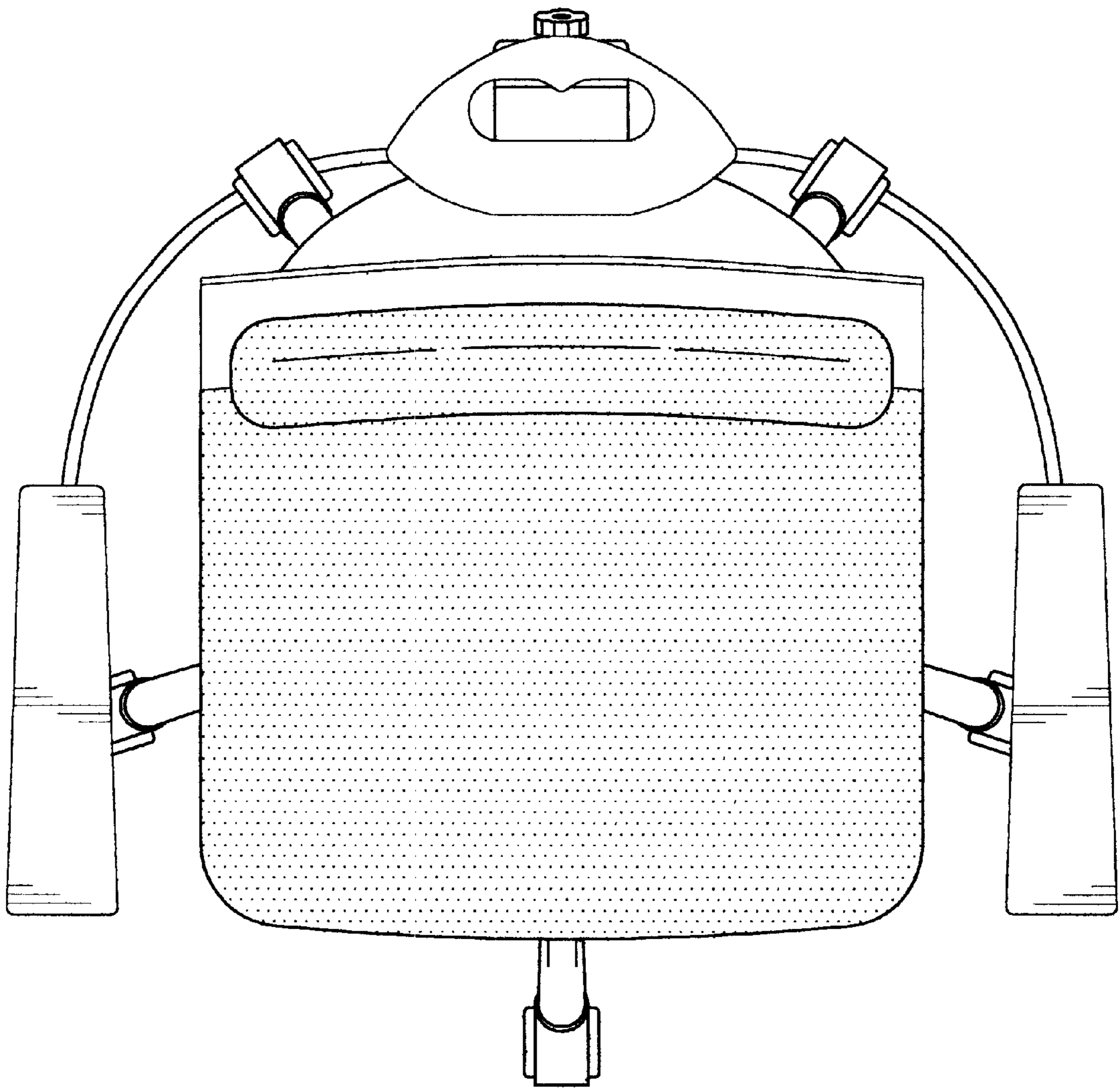


FIG. 6

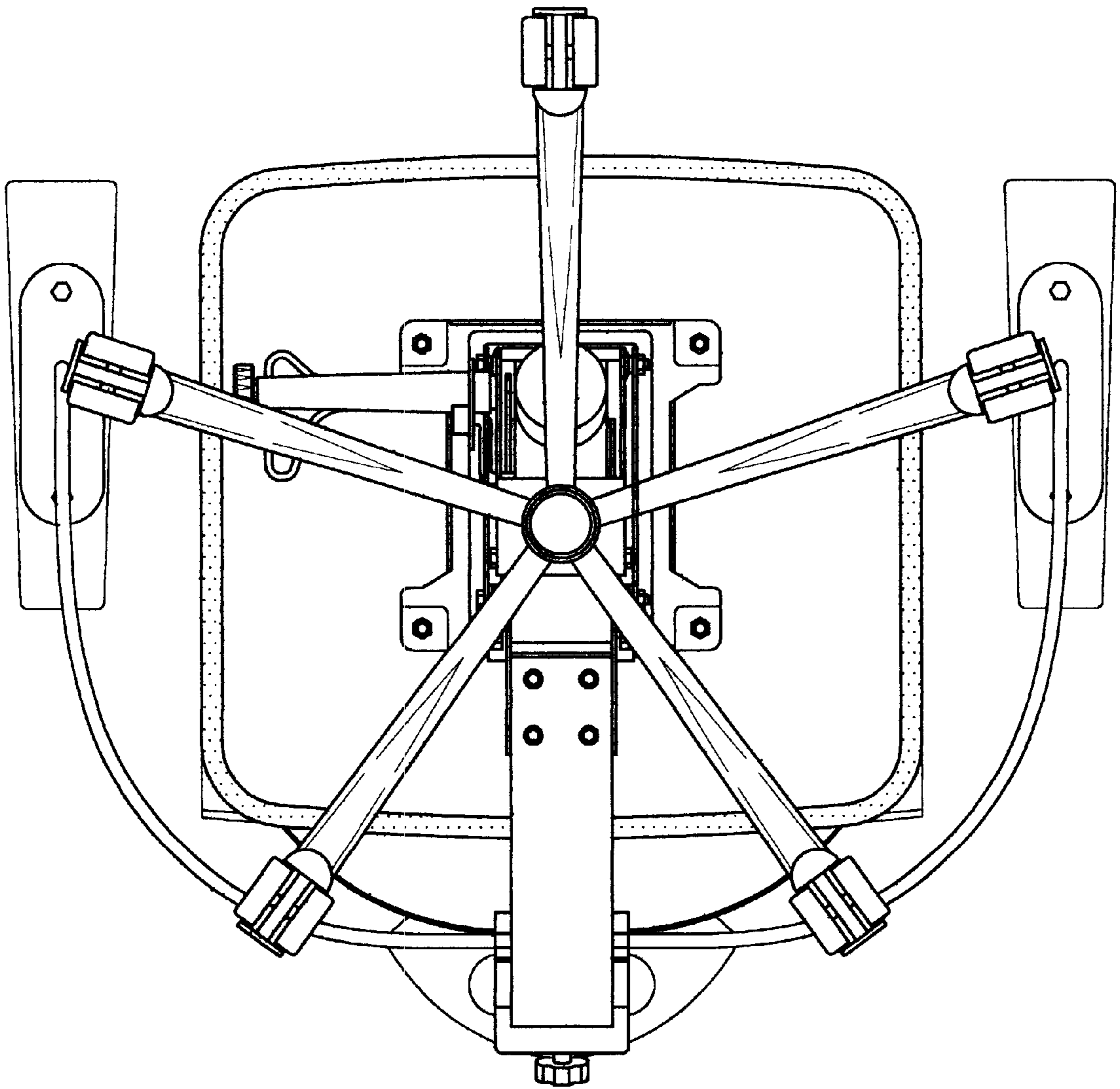


FIG. 7