



US00D465936S

(12) **United States Design Patent**
Arnold

(10) **Patent No.:** **US D465,936 S**

(45) **Date of Patent:** **** Nov. 26, 2002**

(54) **BENCH**

(75) **Inventor:** **Paul Arnold**, Grove City, PA (US)

(73) **Assignee:** **Keystone Ridge Designs, Inc.**, Butler, PA (US)

(**) **Term:** **14 Years**

(21) **Appl. No.:** **29/156,304**

(22) **Filed:** **Feb. 27, 2002**

(51) **LOC (7) Cl.** **06-01**

(52) **U.S. Cl.** **D6/349**

(58) **Field of Search** D6/349-353, 355;
297/461, 462, 423.1, 423.14, 423.16, 423.39,
423.4, 423.41, 232, 452.63, 423.15

(56) **References Cited**

U.S. PATENT DOCUMENTS

D87,230 S	*	6/1932	McGowen	D6/349
D193,615 S	*	9/1962	Black et al.	D6/349
D361,437 S	*	8/1995	Lodispoto	D6/336
D423,239 S	*	4/2000	Hornyak	D6/355

OTHER PUBLICATIONS

Columbia Cascade Company catalog, TimberForm Parkway, p. 60, date unknown.
DumorCatalog, p. 18, date unknown.
Columbia Cascade Company catalog, TimberForm Arbor, p. 71, date unknown.

Kay Park Recreation catalog, BG Series Bolted Frame Tables, p. 4, date unknown.

Kay Park Recreation catalog, Portable Benches with back., p. 28, date unknown.

Online Document from Delnero Fine Furniture, "Shaker Meeting House Bench", <http://delnero.com/bench.html>, printed Sep. 18, 2001.

* cited by examiner

Primary Examiner—Janice E. Seeger

(74) *Attorney, Agent, or Firm*—Heslin Rothenberg Farley & Mesiti P.C.

(57) **CLAIM**

The ornamental design for the bench, as shown and described.

DESCRIPTION

FIG. 1 is a perspective view of a bench comprising the new design;

FIG. 2 is a top view thereof;

FIG. 3 is a front elevational view thereof;

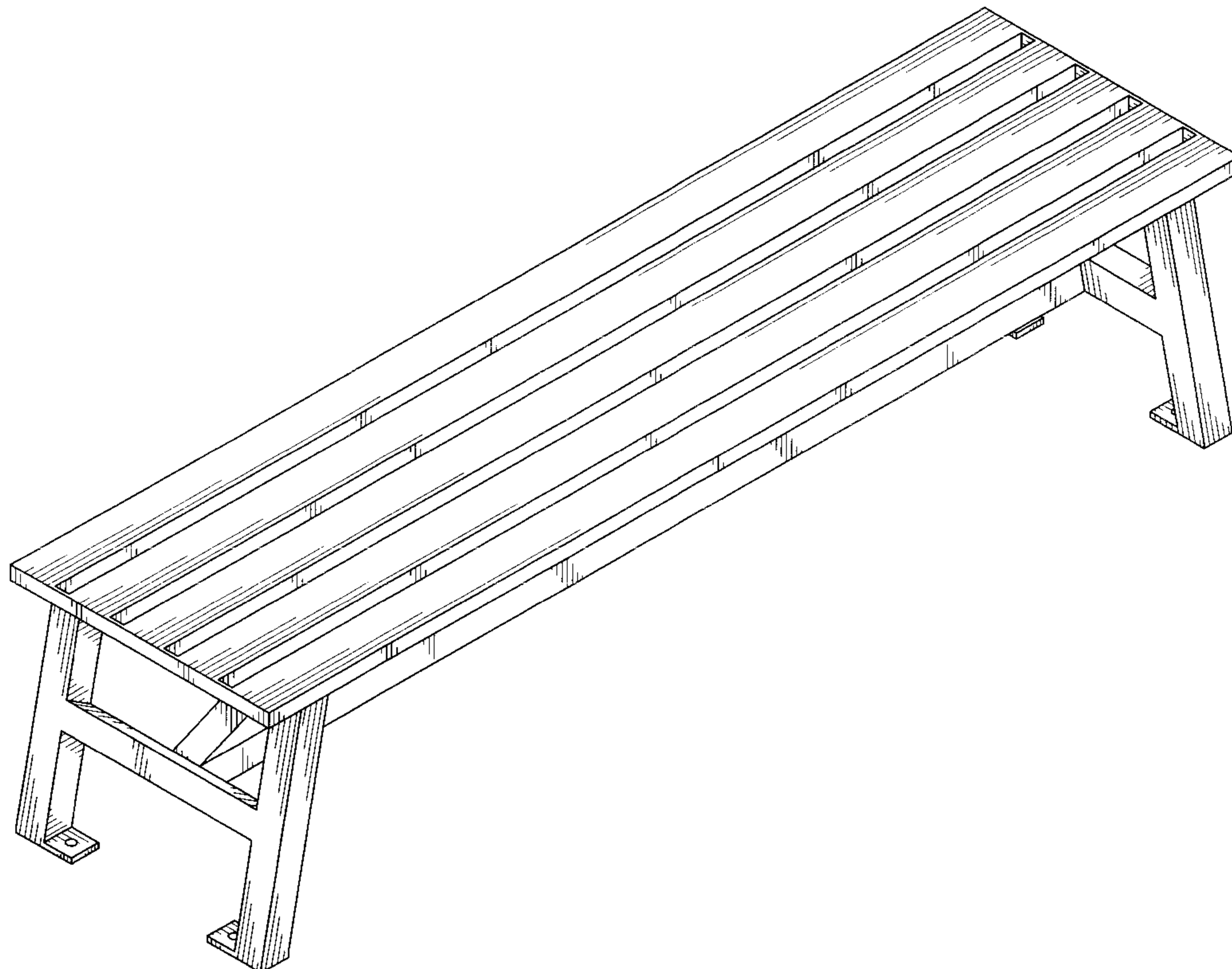
FIG. 4 is a right side elevational view thereof, where the left side elevational view is a mirror image thereof;

FIG. 5 is a rear elevational view thereof;

FIG. 6 is a bottom view thereof; and,

FIG. 7 is a perspective view of a second embodiment of a bench, portions of which are cut away to illustrate indeterminate length which is the sole difference between it and FIGS. 1 through 6.

1 Claim, 7 Drawing Sheets



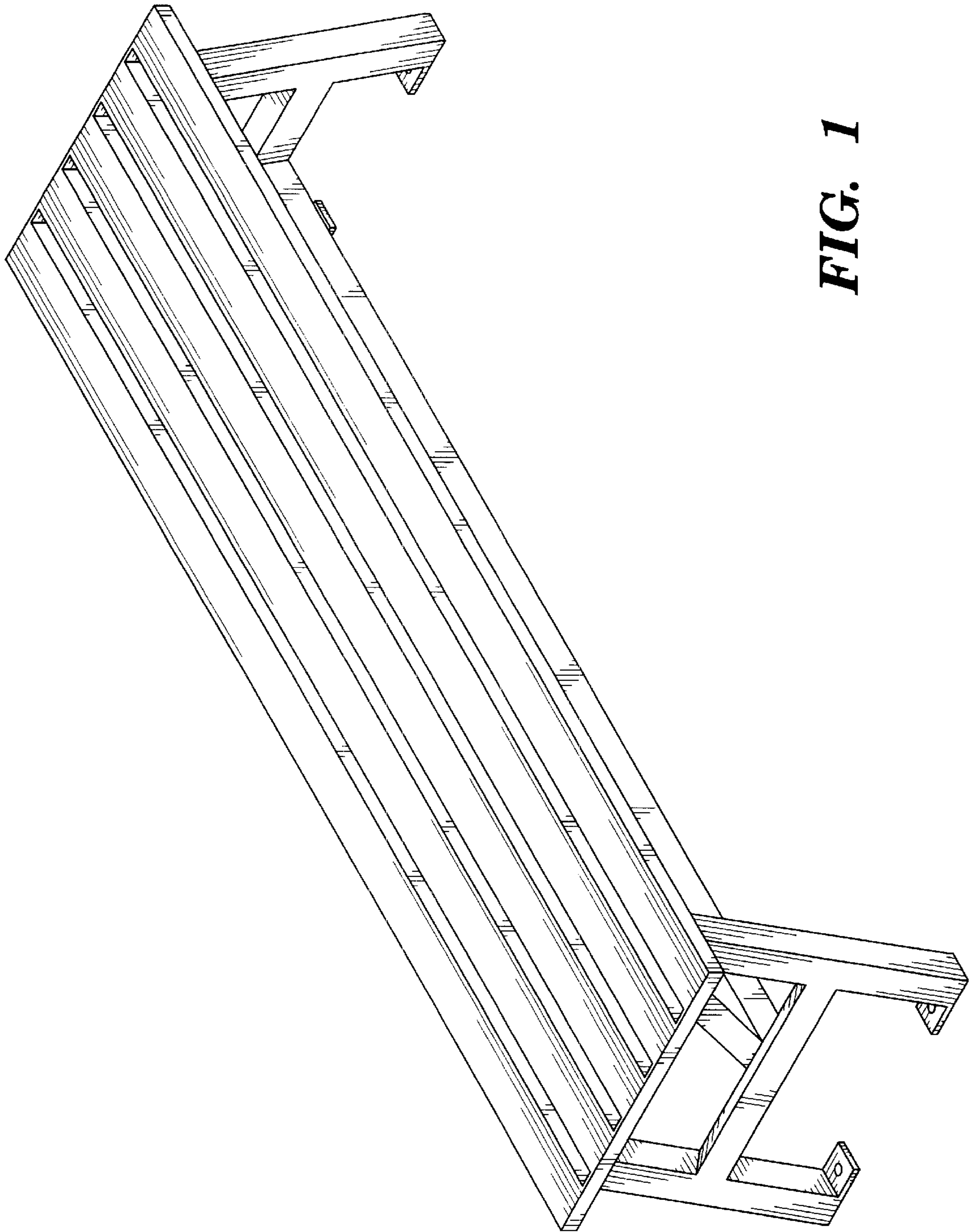


FIG. 1

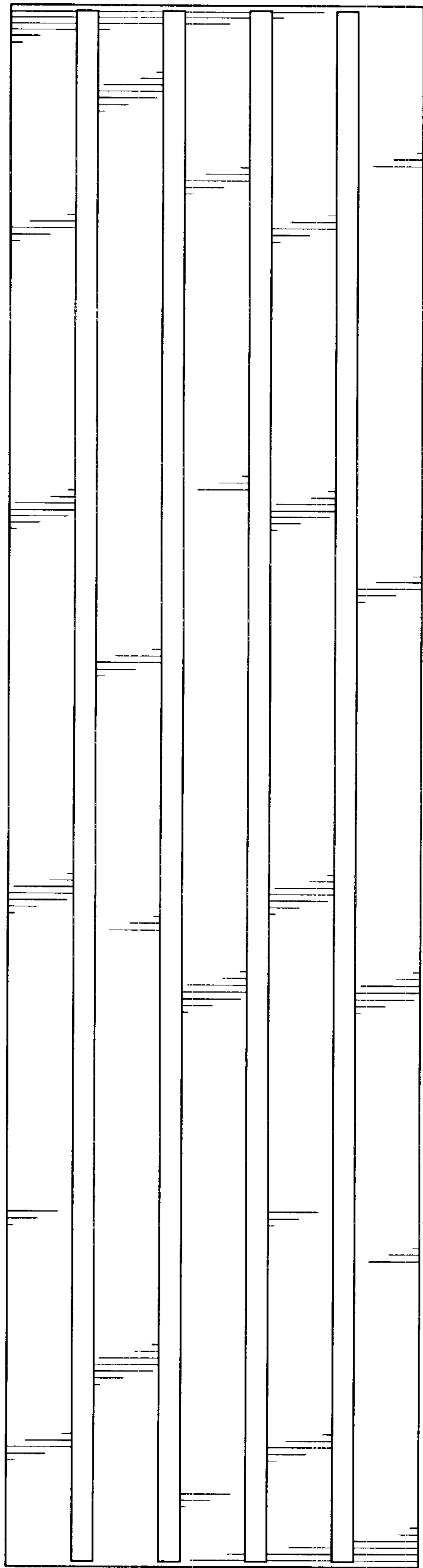


FIG. 2

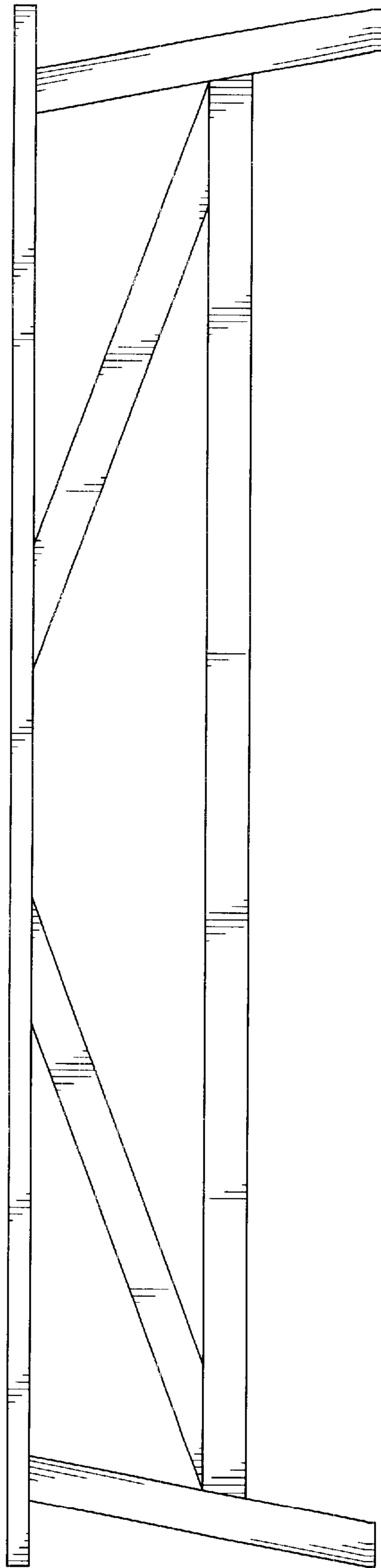


FIG. 3

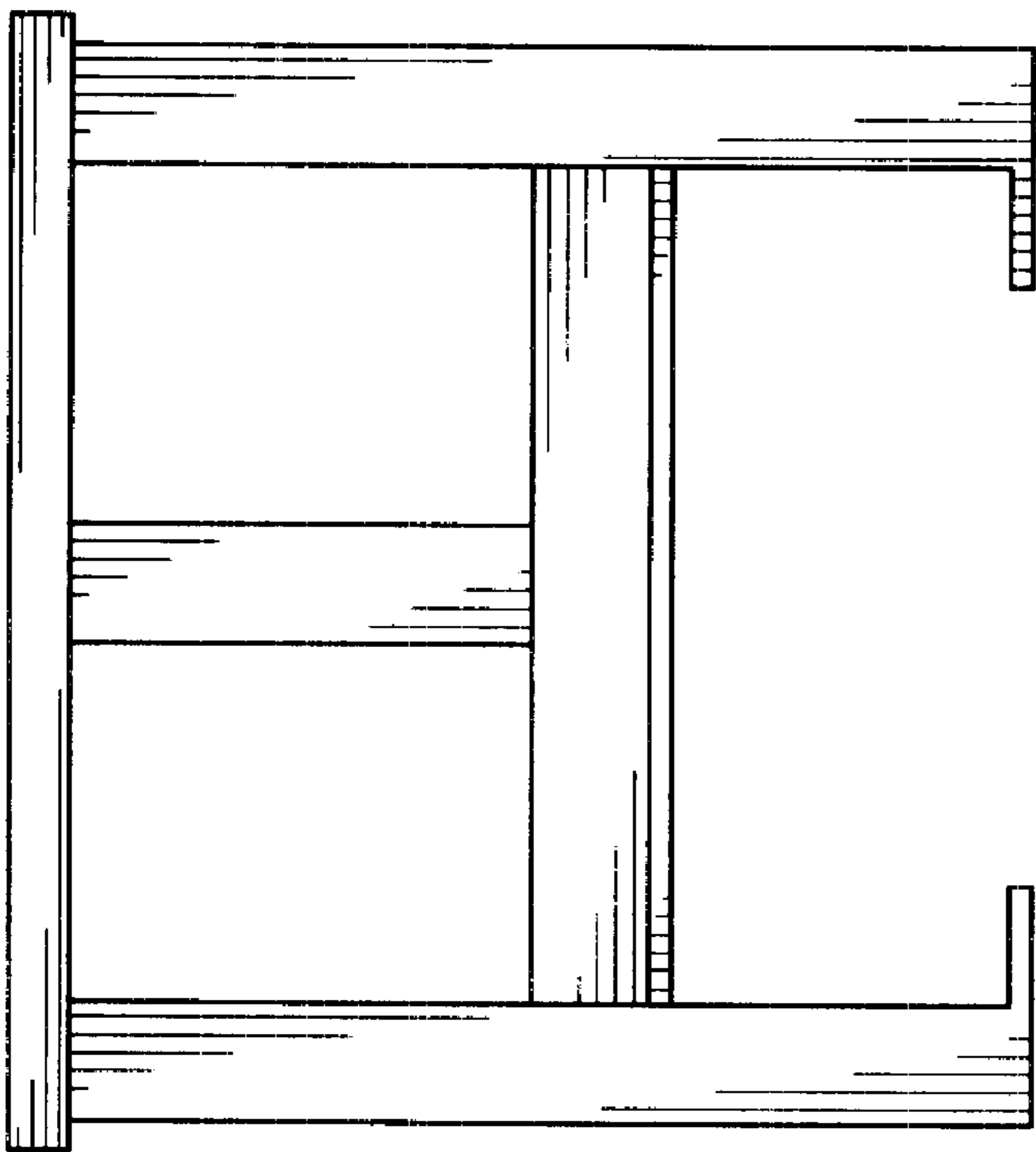


FIG. 4

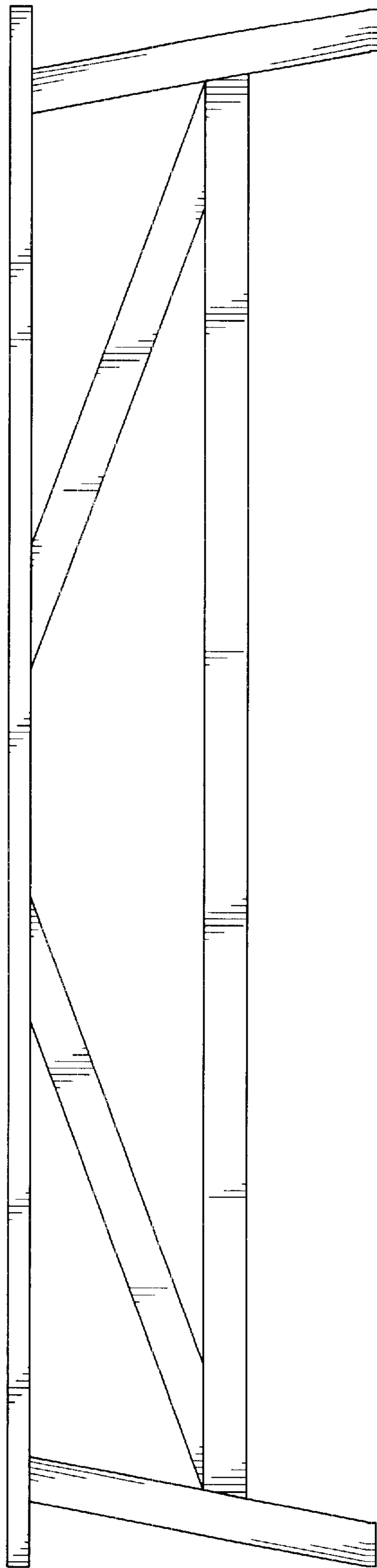


FIG. 5

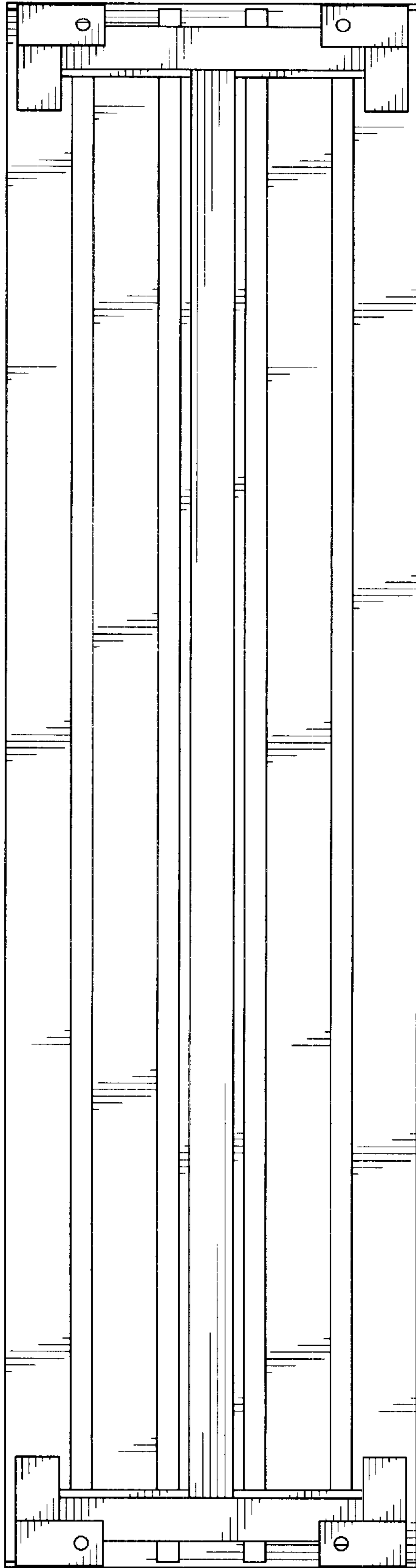


FIG. 6

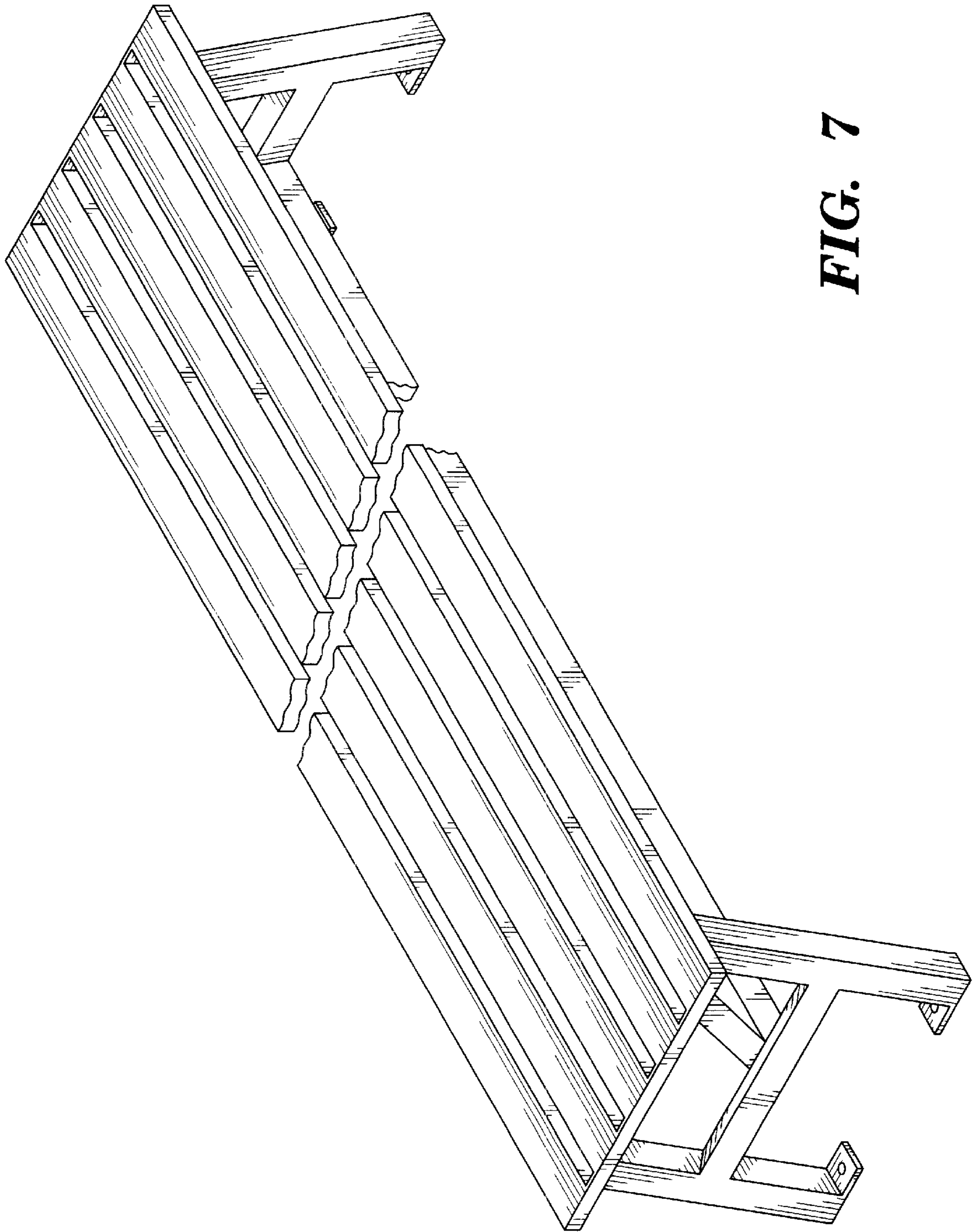


FIG. 7