



US00D465935S

(12) **United States Design Patent**
Noll

(10) **Patent No.:** **US D465,935 S**

(45) **Date of Patent:** **** Nov. 26, 2002**

(54) **TABLE FOR DOUBLE GLIDER**

5,938,283 A 8/1999 Babcock et al.
D444,306 S * 7/2001 Jaisinghani D6/346

(76) Inventor: **Ronald C. Noll**, 25 Fairway Trail,
Moreland Hills, OH (US) 44022

OTHER PUBLICATIONS

(**) Term: **14 Years**

No. 17-1 Table, p. 6, Gold Medal Folling Furniture catalog,
1940, in Outdorr furniture boxes, in 2900 library.*
Declaration of Ronald C. Noll, Executed Mar. 22, 2002.

(21) Appl. No.: **29/152,552**

* cited by examiner

(22) Filed: **Dec. 20, 2001**

(51) **LOC (7) Cl.** **06-01**

Primary Examiner—Doris V. Coles

(52) **U.S. Cl.** **D6/346; D6/349; D6/364;**
D6/486

Assistant Examiner—Mimosa De

(74) *Attorney, Agent, or Firm*—Pearne & Gordon LLP

(58) **Field of Search** D6/334, 335, 336,
D6/337, 344, 346, 347, 349, 364, 370,
381, 486, 500-502, 451; 297/157.1, 135,
158.3, 244, 174 R, 232, 280-282, 287,
452.2; 472/118, 125

(57) **CLAIM**

The ornamental design for a table for double glider, as
shown and described.

(56) **References Cited**

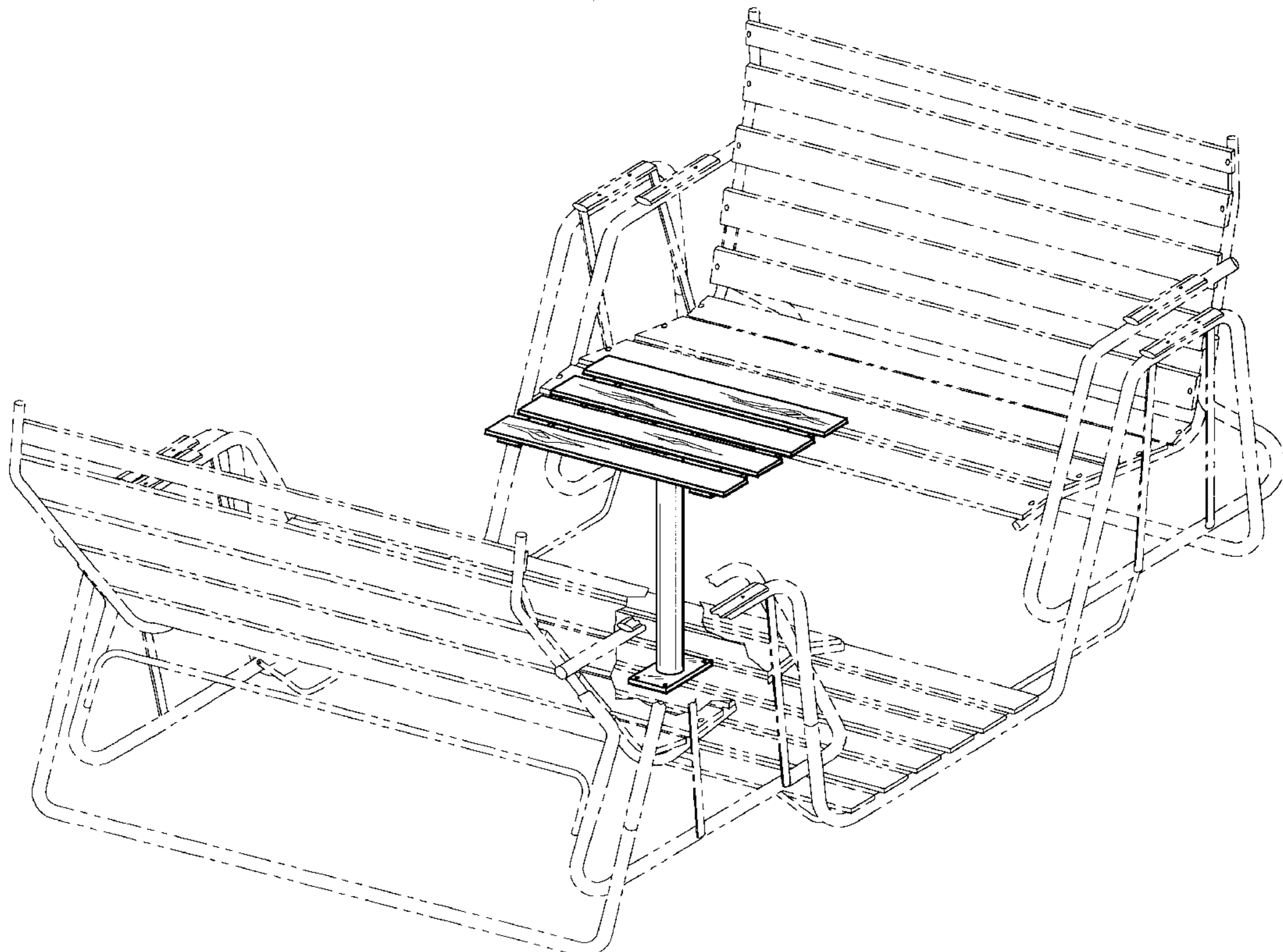
DESCRIPTION

U.S. PATENT DOCUMENTS

539,723 A	5/1895	Caisse	
D171,652 S	* 3/1954	Keady	D6/336
D221,543 S	* 8/1971	Lassen	D6/349
3,825,299 A	7/1974	Gaucher	
D233,277 S	* 10/1974	Beller	D6/486
3,894,496 A	7/1975	Phillips et al.	
D341,259 S	* 11/1993	Mele	D6/364
D366,156 S	* 1/1996	Babcock et al.	D6/346
D368,807 S	4/1996	Noll	
D405,301 S	2/1999	Fugazzi	

FIG. 1 is a perspective view of a table for double glider
showing my new design;
FIG. 2 is a top plan view thereof;
FIG. 3 is a right side elevation view thereof, the left side
being the same;
FIG. 4 is a front elevation view thereof, the rear being the
same; and,
FIG. 5 is a bottom plan view thereof.
The broken line showing of a double glider is for illustrative
purposes only and forms no part of the claimed design.

1 Claim, 4 Drawing Sheets



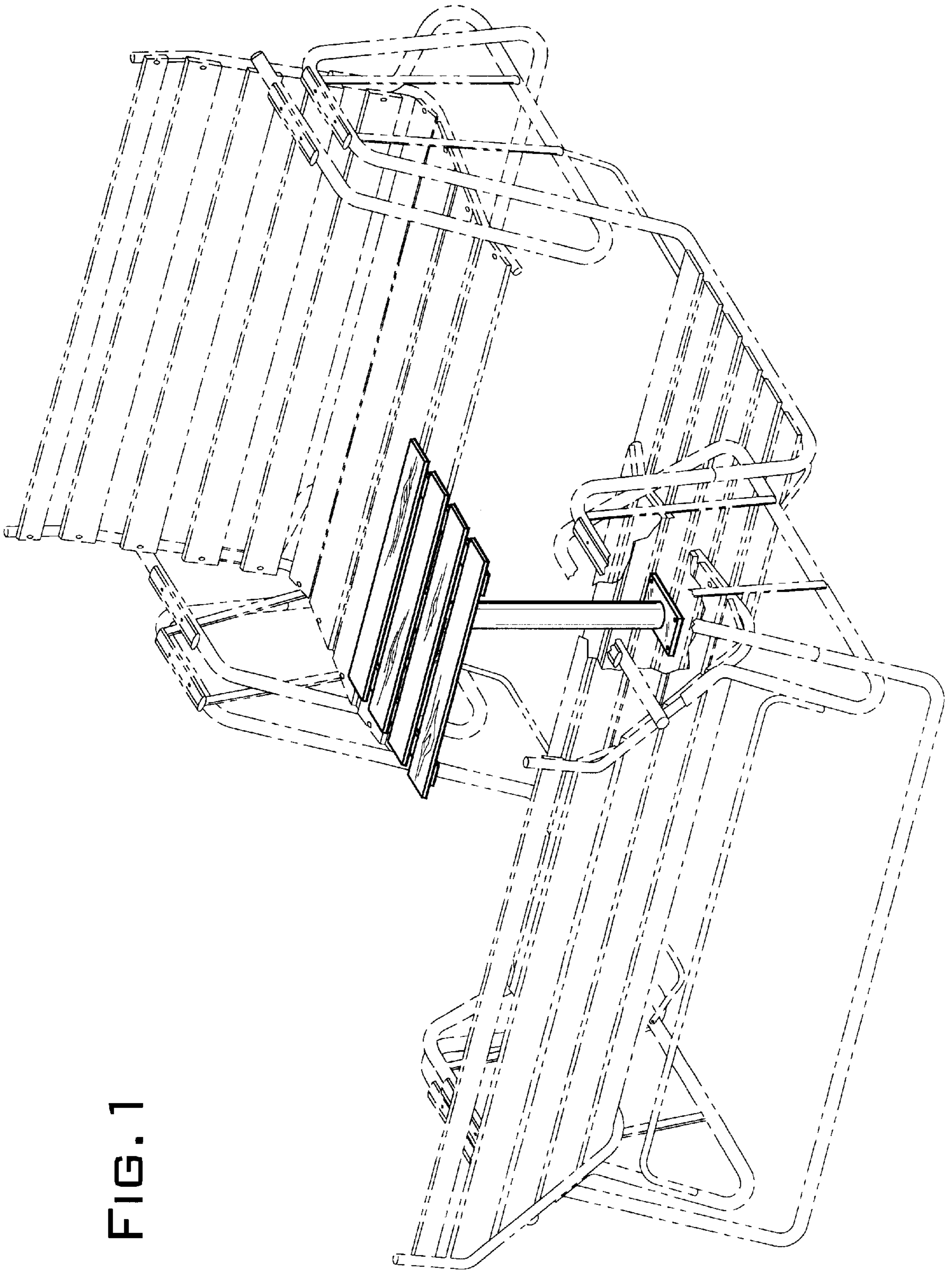


FIG. 1

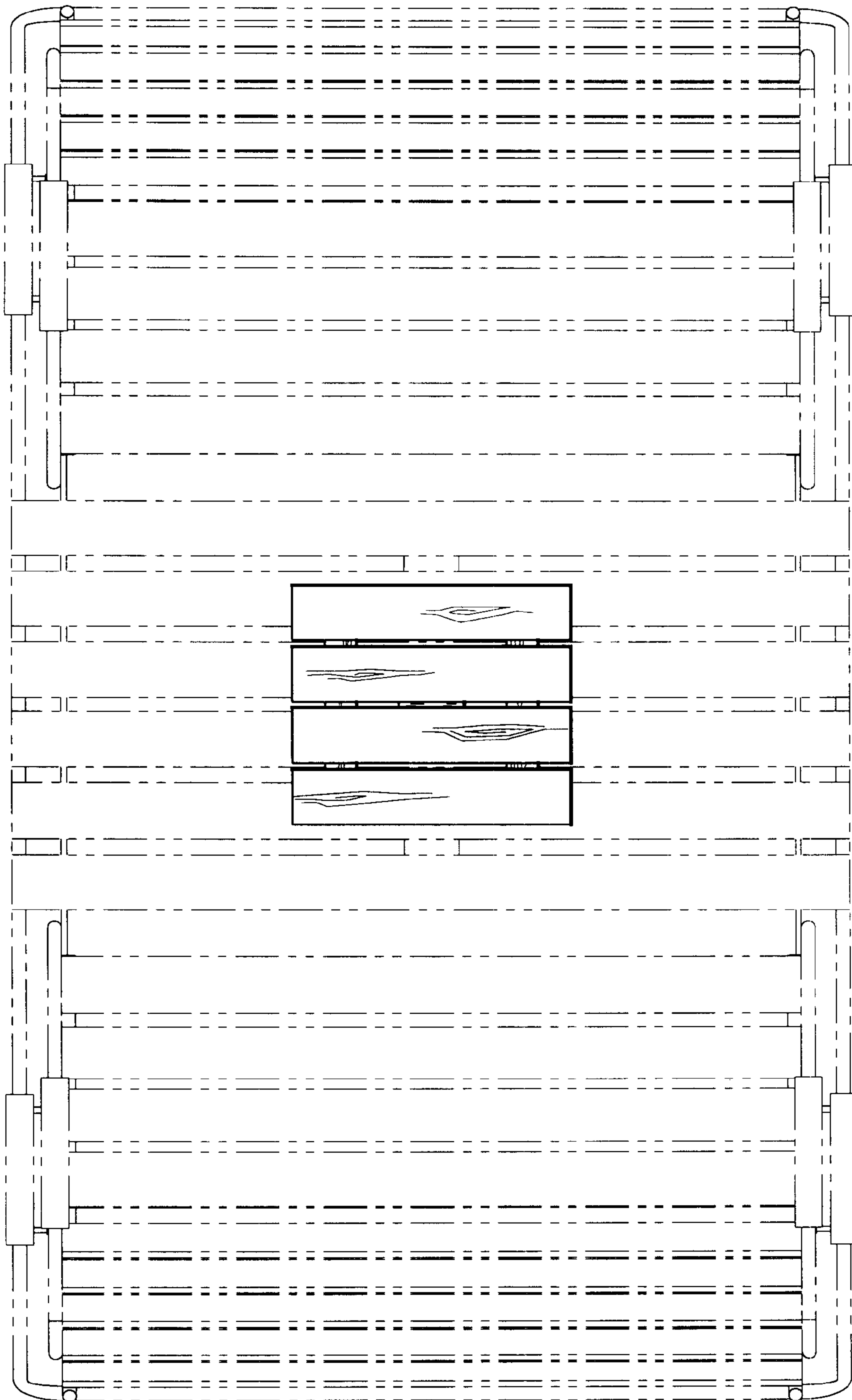


FIG. 2

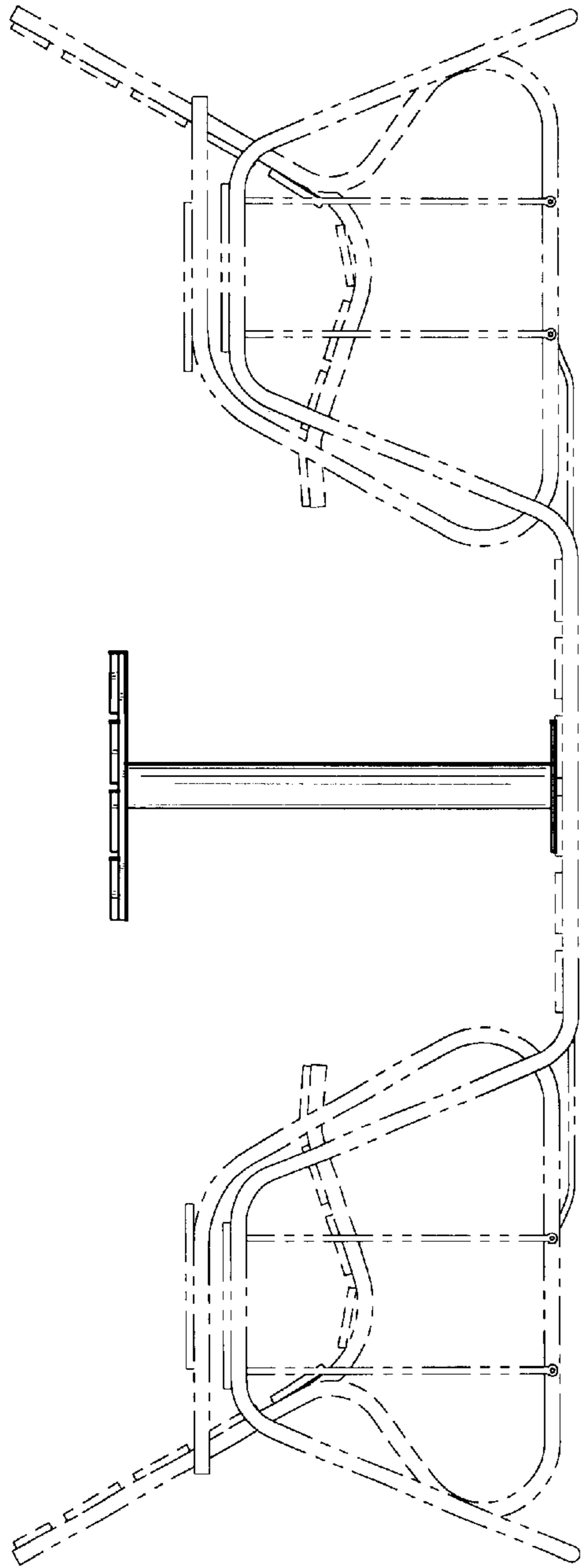


FIG. 3

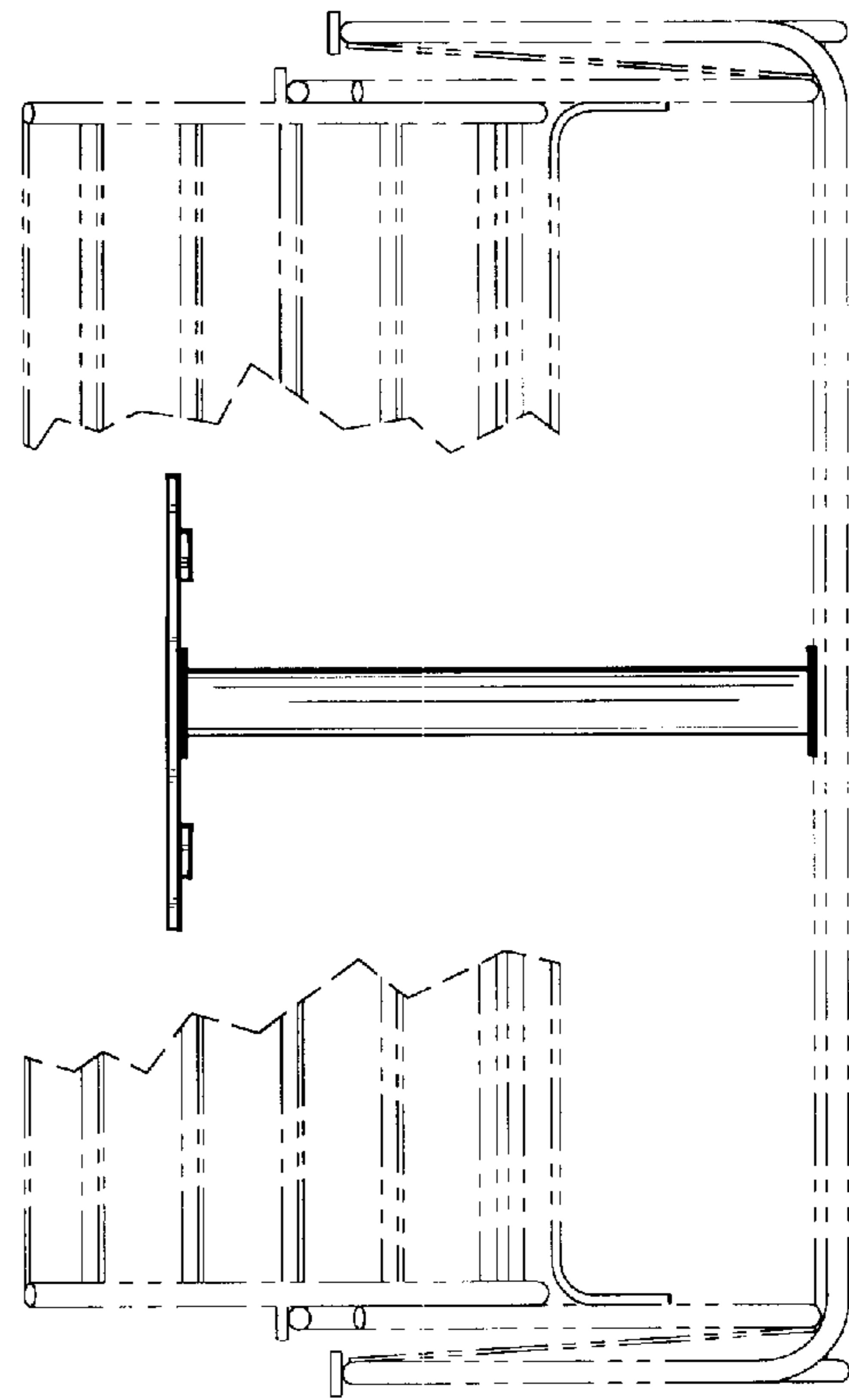


FIG. 4

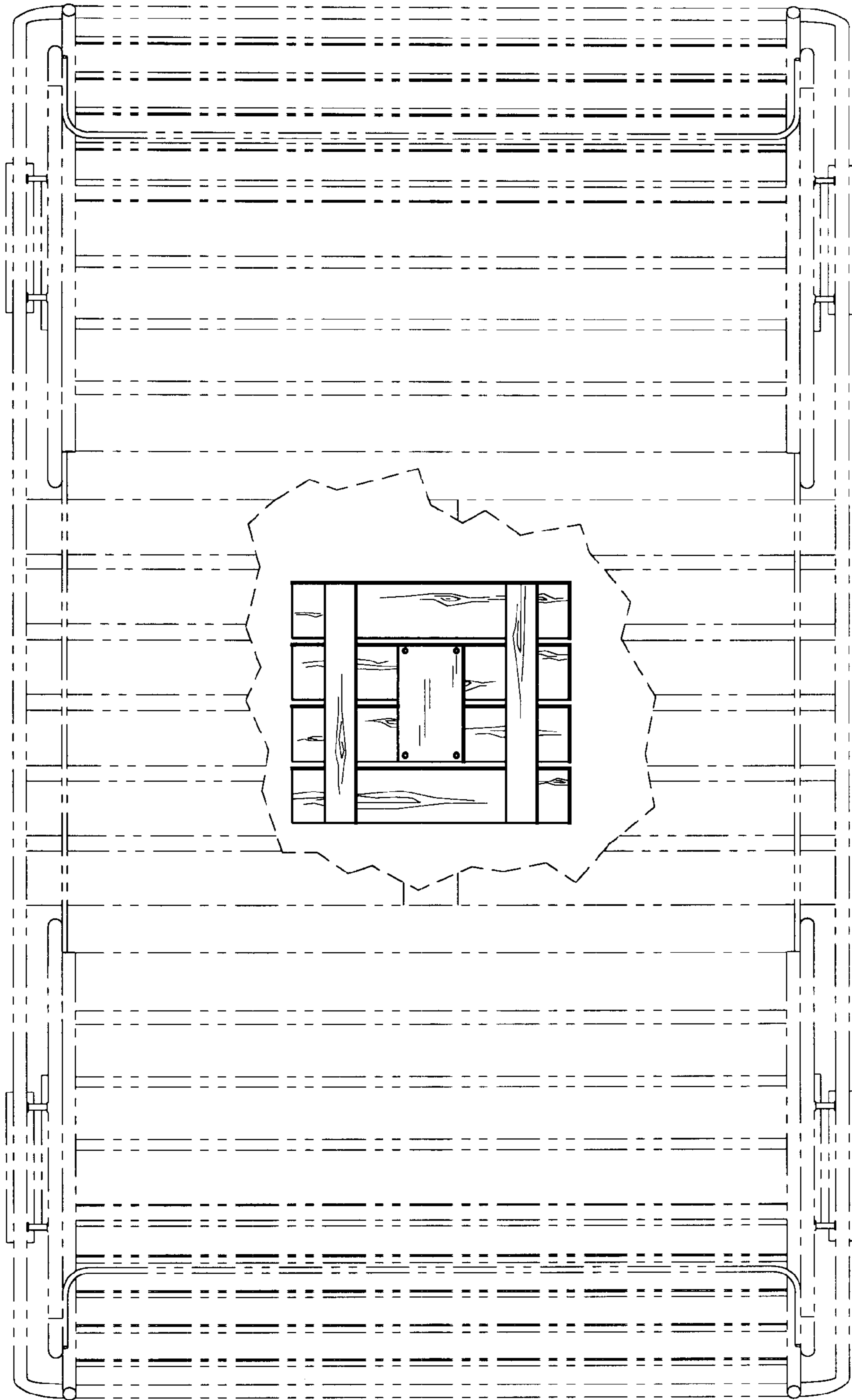


FIG. 5