



US00D465928S

(12) **United States Design Patent**
Solivan

(10) **Patent No.:** **US D465,928 S**

(45) **Date of Patent:** **** Nov. 26, 2002**

(54) **WATER-POWERED BRUSH**

D331,499 S * 12/1992 Tsai D4/115

(76) Inventor: **Celeste Solivan**, 11307-NW. 49th Dr.,
Coral Springs, FL (US) 33076

* cited by examiner

(**) Term: **14 Years**

Primary Examiner—Alan P. Douglas

Assistant Examiner—Lavone Tabor

(21) Appl. No.: **29/154,927**

(57) **CLAIM**

(22) Filed: **Feb. 1, 2002**

The ornamental design for a water-powered brush, as shown and described.

(51) **LOC (7) Cl.** **04-02**

DESCRIPTION

(52) **U.S. Cl.** **D4/115; D4/127; D4/136**

(58) **Field of Search** D4/114, 115, 127,
D4/134, 136, 138; 15/28–29; 119/603, 664;
132/112, 116; 401/28, 40–43, 186, 278–281,
286, 287, 289, 291; 601/17, 96, 114, 155,
159, 160

FIG. 1 is a front elevational view of a water-powered brush showing my new design;

FIG. 2 is a rear elevational view thereof;

FIG. 3 is a side view, taken from the left side of FIG. 1;

FIG. 4 is a side view, taken from the right side of FIG. 1;

FIG. 5 is a top plan view thereof;

FIG. 6 is a bottom plan view thereof; and,

FIG. 7 is a reduced perspective view thereof.

The broken line showing a sink and faucet in FIG. 7 is for illustrative purposes only and forms no part of the claimed design.

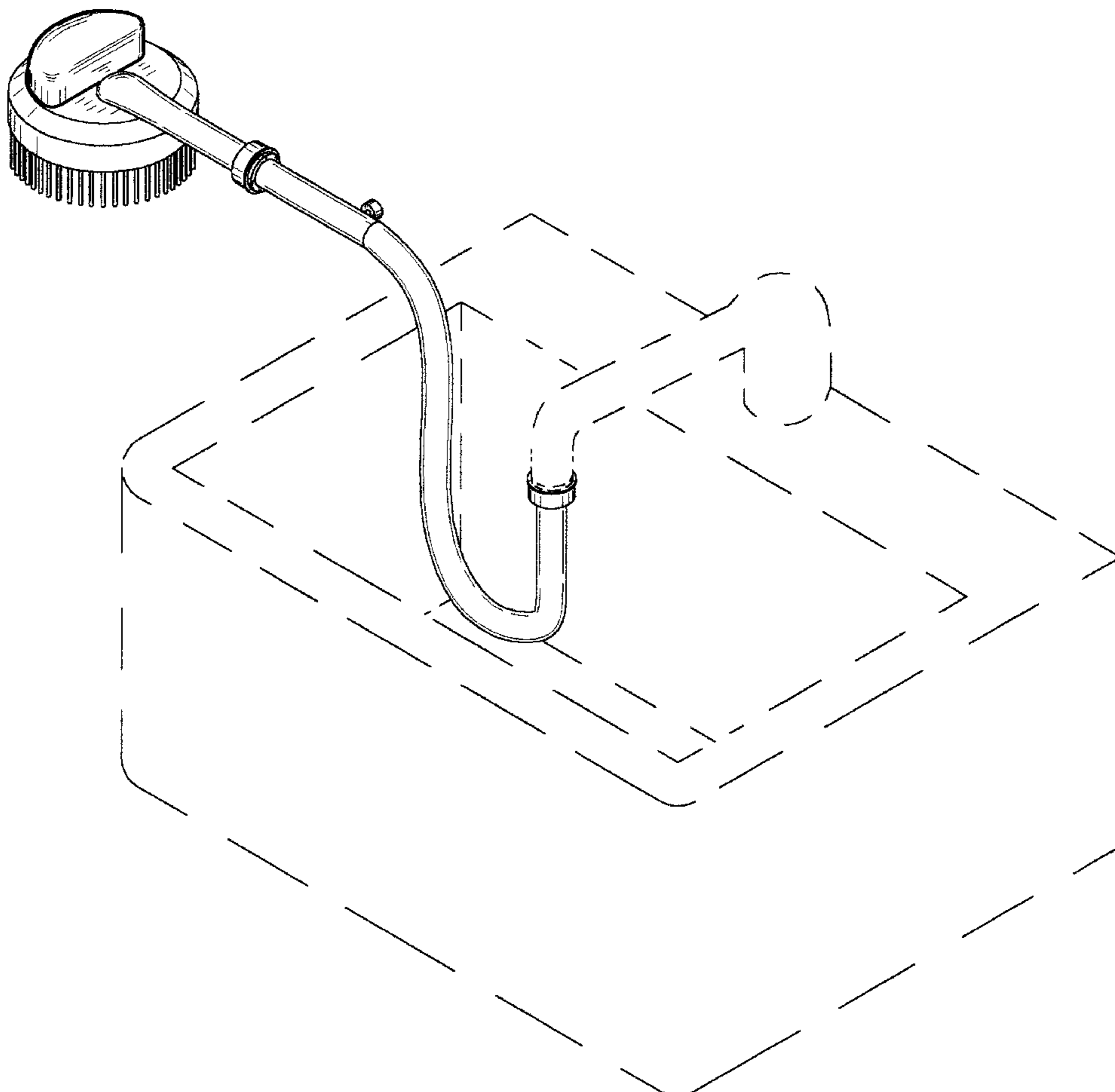
The hose portion is shown broken away in FIGS. 1, 2, 5, and 6 for ease of illustration.

(56) **References Cited**

U.S. PATENT DOCUMENTS

- 1,191,578 A * 7/1916 Englund 401/28
- 2,338,339 A * 1/1944 Mere et al. 601/155 X
- D195,820 S * 8/1963 Williams D4/115
- 3,597,097 A * 8/1971 Kellis 401/186 X
- 3,813,721 A * 6/1974 Gaudio 15/29
- 4,143,667 A * 3/1979 Peilet 401/28

1 Claim, 3 Drawing Sheets



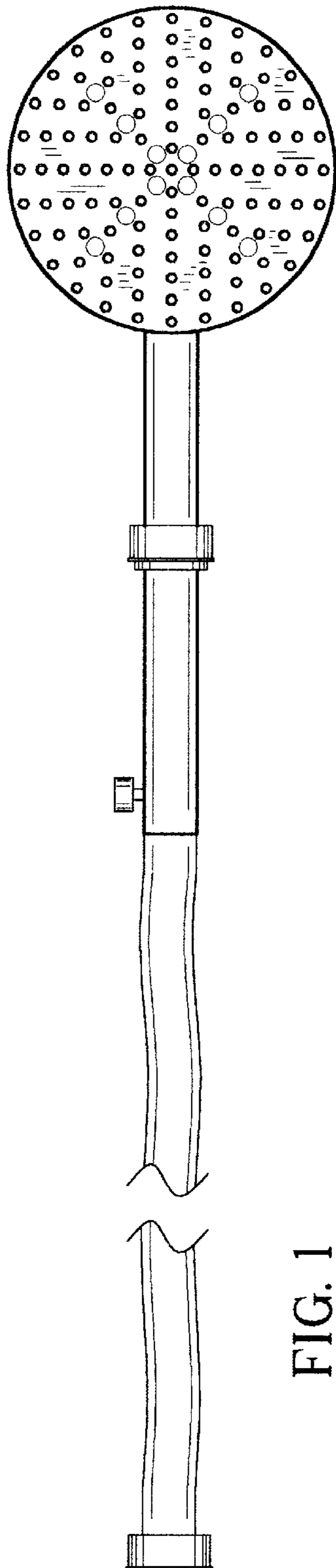


FIG. 1

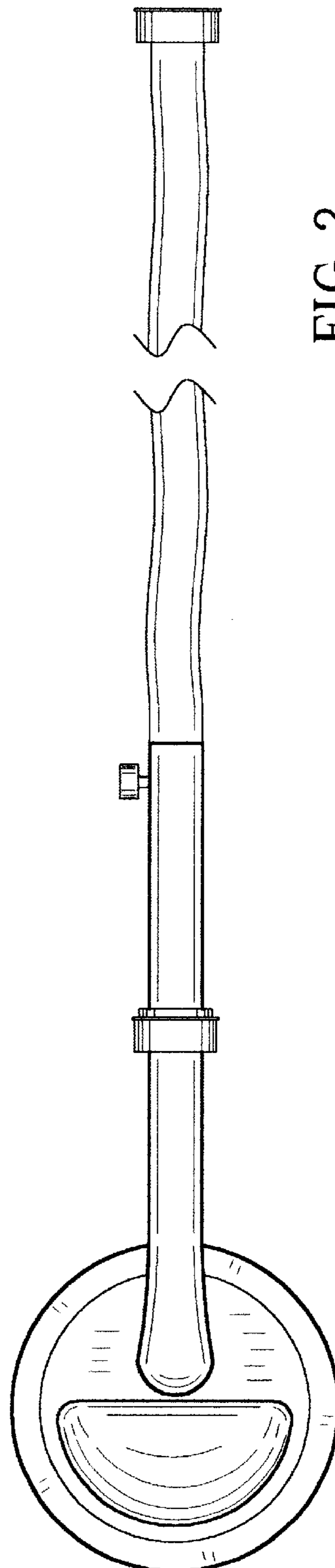


FIG. 2

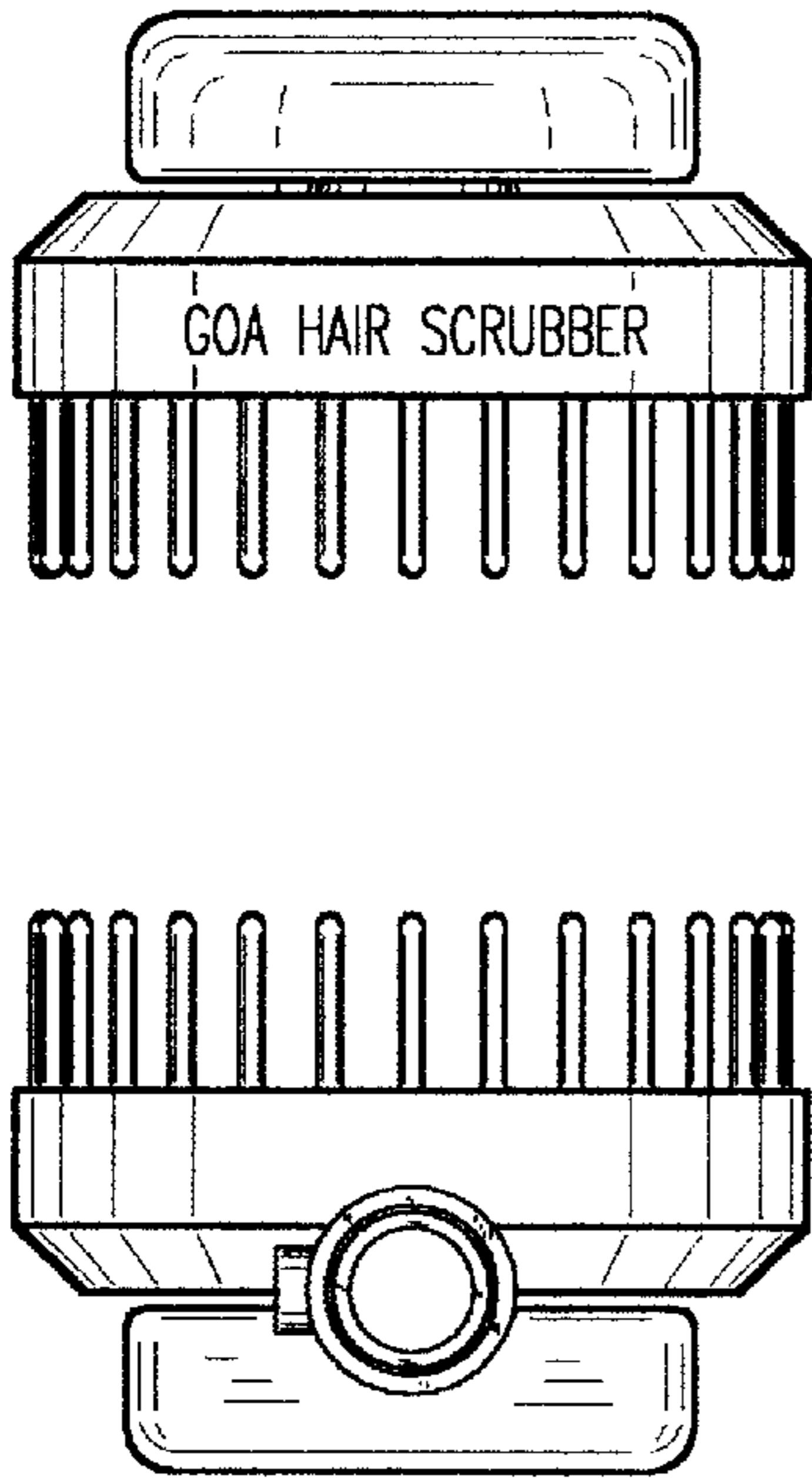
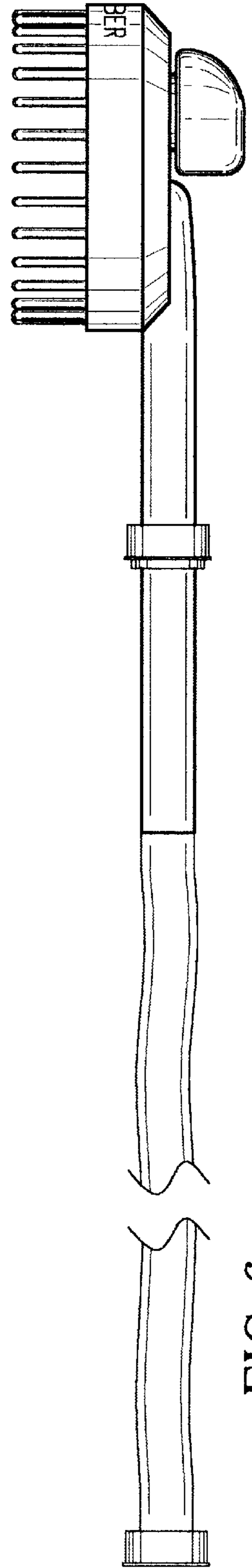
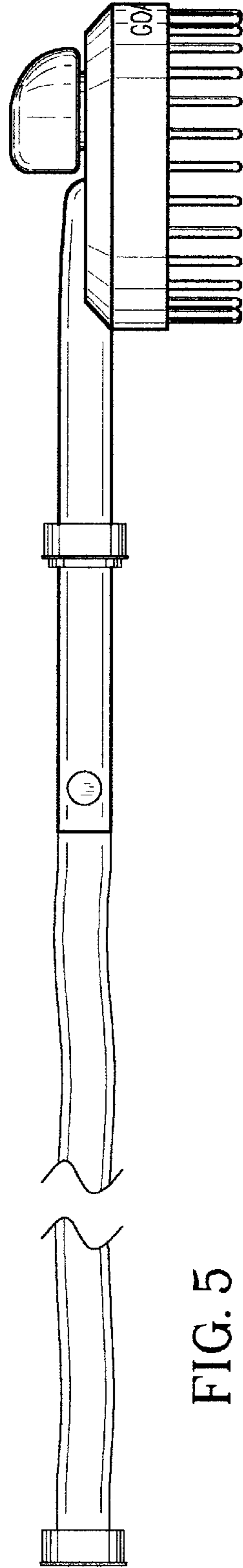


FIG. 4



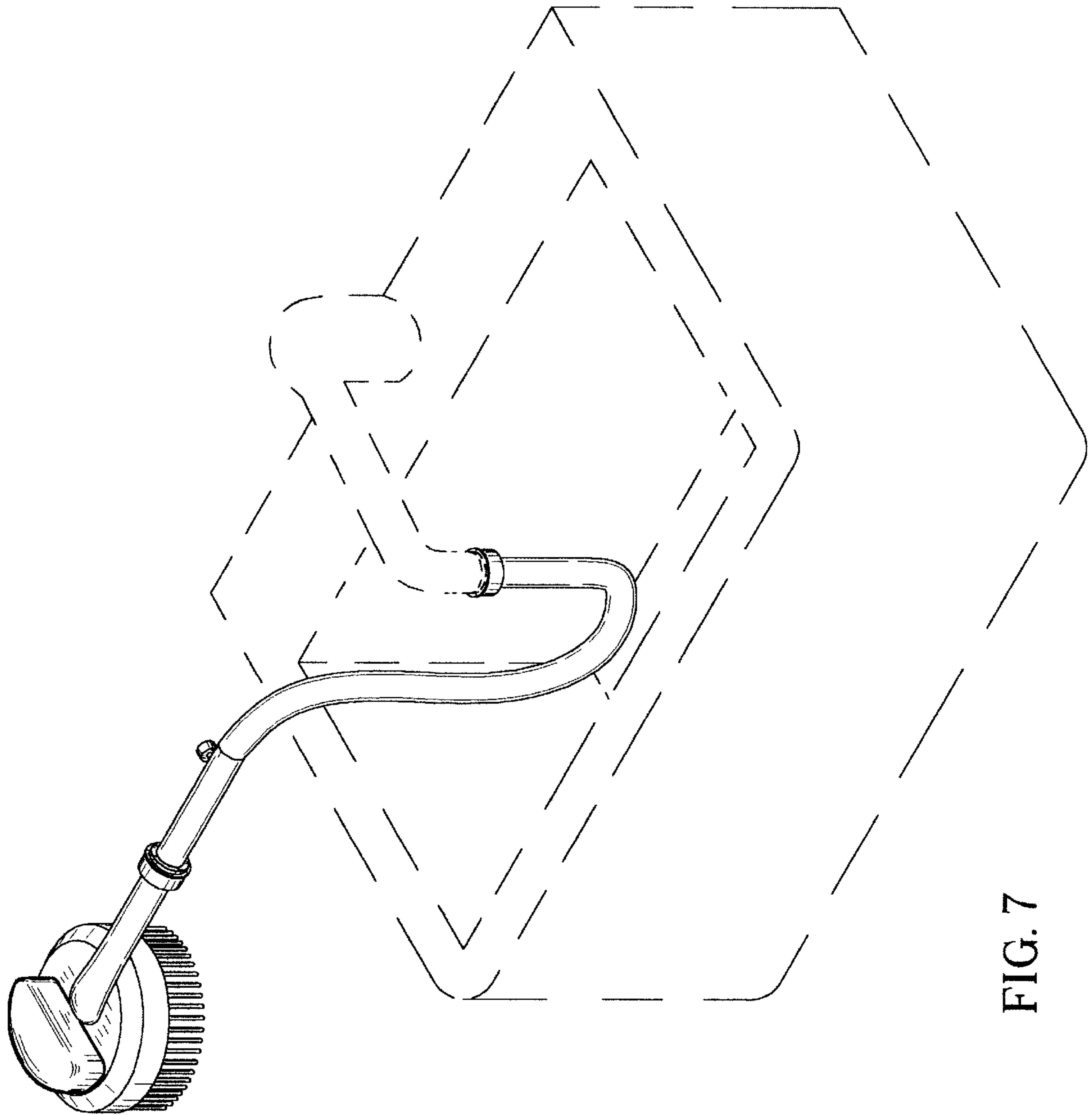


FIG. 7