



US00D465927S

(12) **United States Design Patent**  
**Saindon et al.**

(10) **Patent No.:** **US D465,927 S**

(45) **Date of Patent:** **\*\* Nov. 26, 2002**

(54) **BRISTLED HEAD FOR A TOOTHBRUSH**

D440,048 S \* 4/2001 Beals et al. .... D4/104  
D444,629 S \* 7/2001 Etter et al. .... D4/104

(75) Inventors: **Mark David Saindon**, Princeton, NJ (US); **Annemarie Devine Joseph**, Plainsboro, NJ (US)

\* cited by examiner

*Primary Examiner*—Lisa Lichtenstein

(73) Assignee: **McNeil-PPC, Inc.**, Skillman, NJ (US)

(57) **CLAIM**

(\*\*) Term: **14 Years**

The ornamental design for a bristled head for a toothbrush, as shown and described.

(21) Appl. No.: **29/155,387**

**DESCRIPTION**

(22) Filed: **Feb. 7, 2002**

(51) **LOC (7) Cl.** ..... **04-02**

(52) **U.S. Cl.** ..... **D4/104**

(58) **Field of Search** ..... D4/104–112, 132, D4/134, 138; 15/110, 159.1, 167.1, 167.2, 186–187, DIG. 5; 132/308; 601/139, 141

FIG. 1 is a perspective view showing the bristled head of our new design;

FIG. 2 is a top plan view thereof;

FIG. 3 is a side elevational view thereof, the opposite side being a mirror image;

FIG. 4 is a bottom plan view thereof;

FIG. 5 is a front elevational view thereof; and,

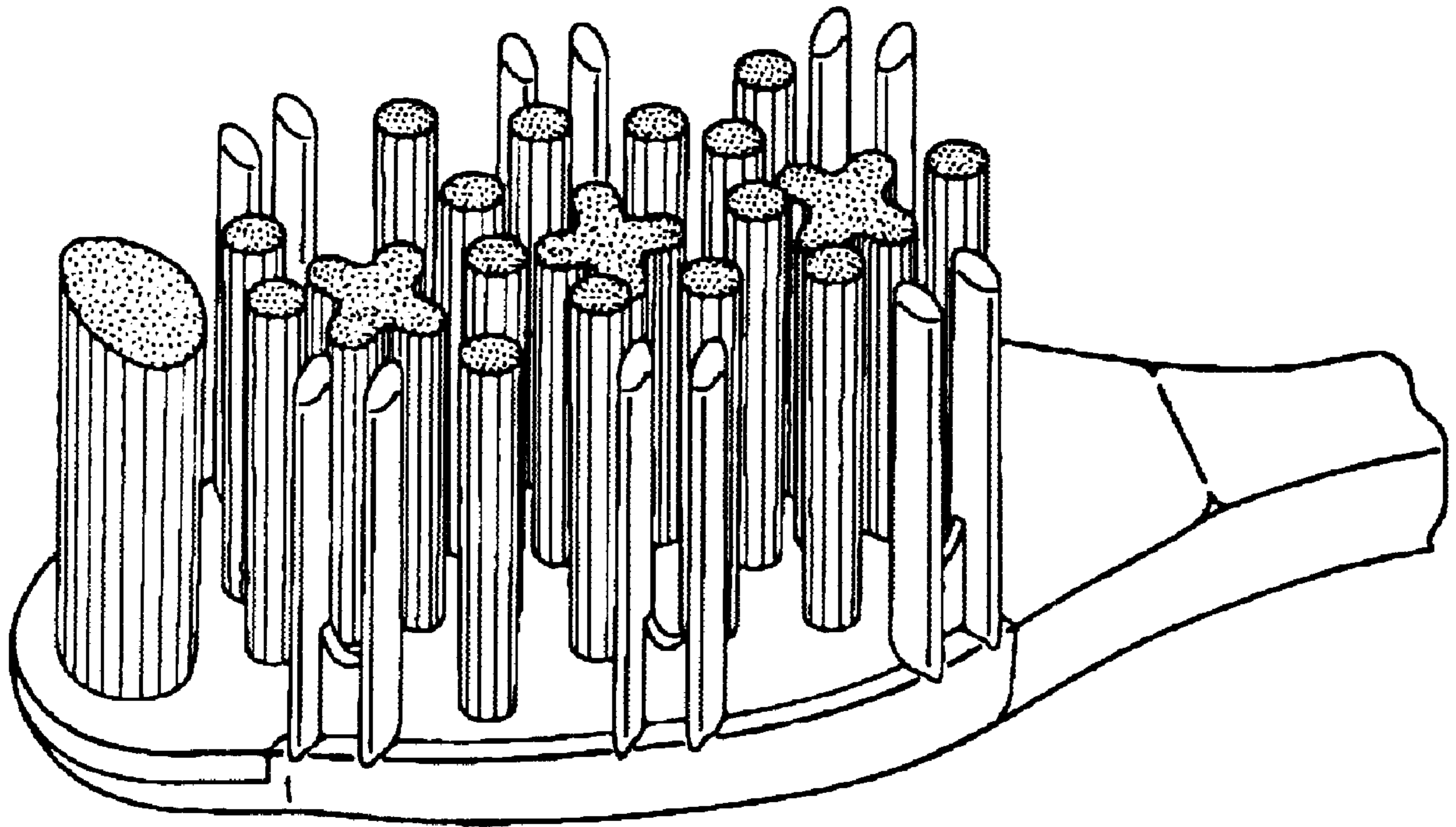
FIG. 6 is a rear elevational view thereof.

(56) **References Cited**

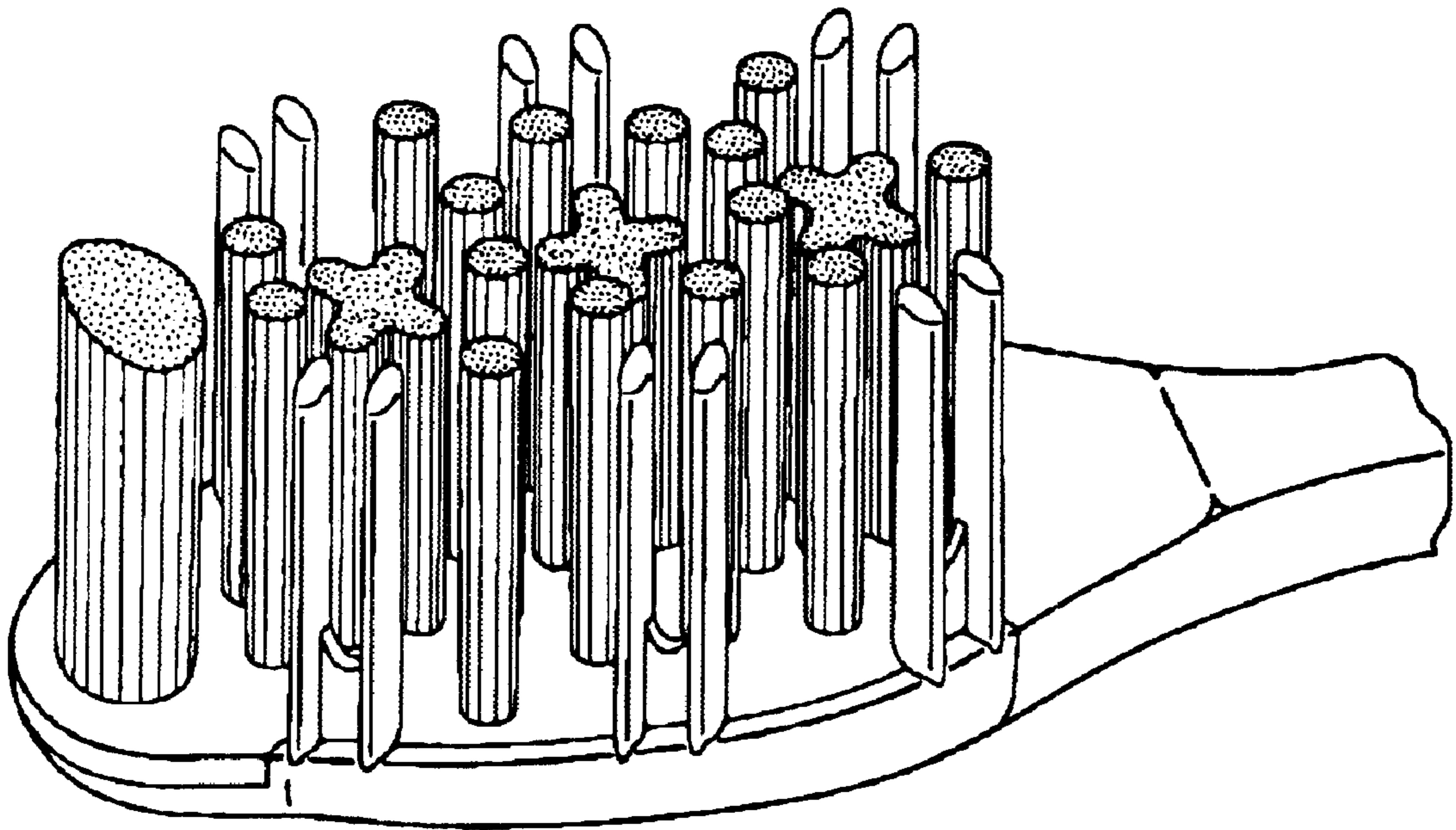
**U.S. PATENT DOCUMENTS**

D374,775 S \* 10/1996 Yost et al. .... D4/104

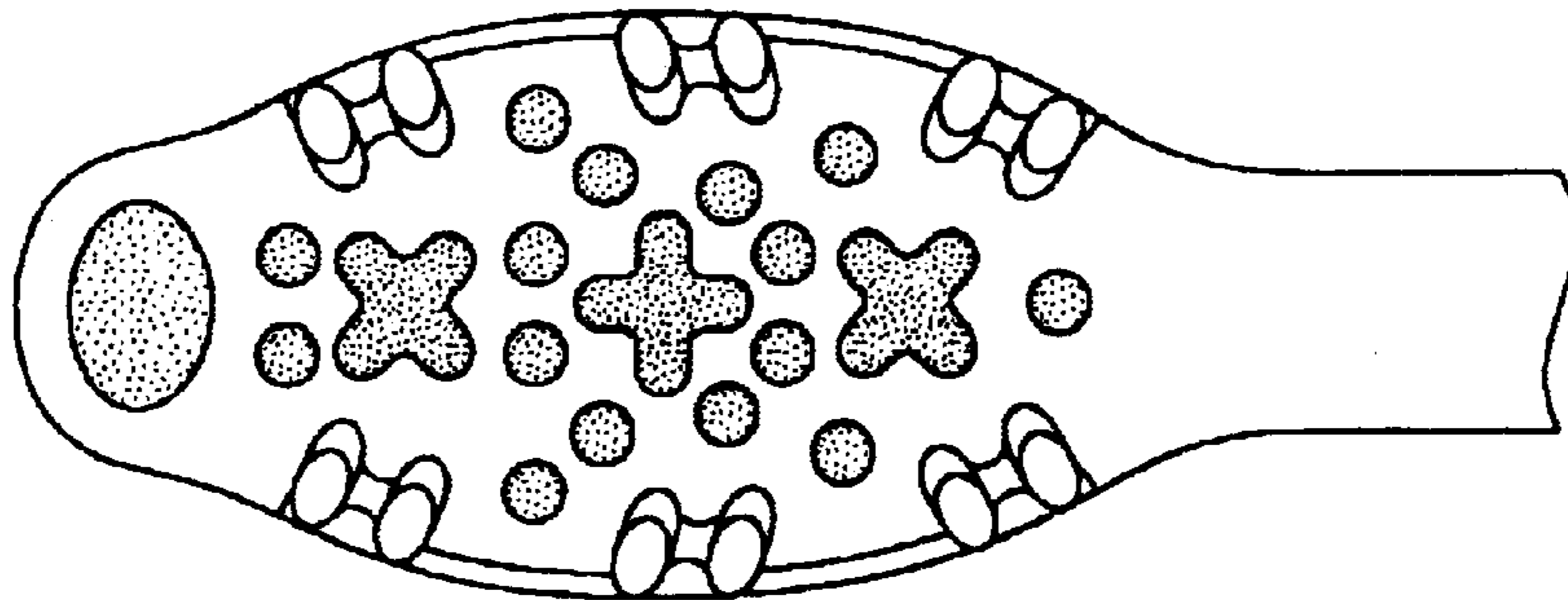
**1 Claim, 3 Drawing Sheets**



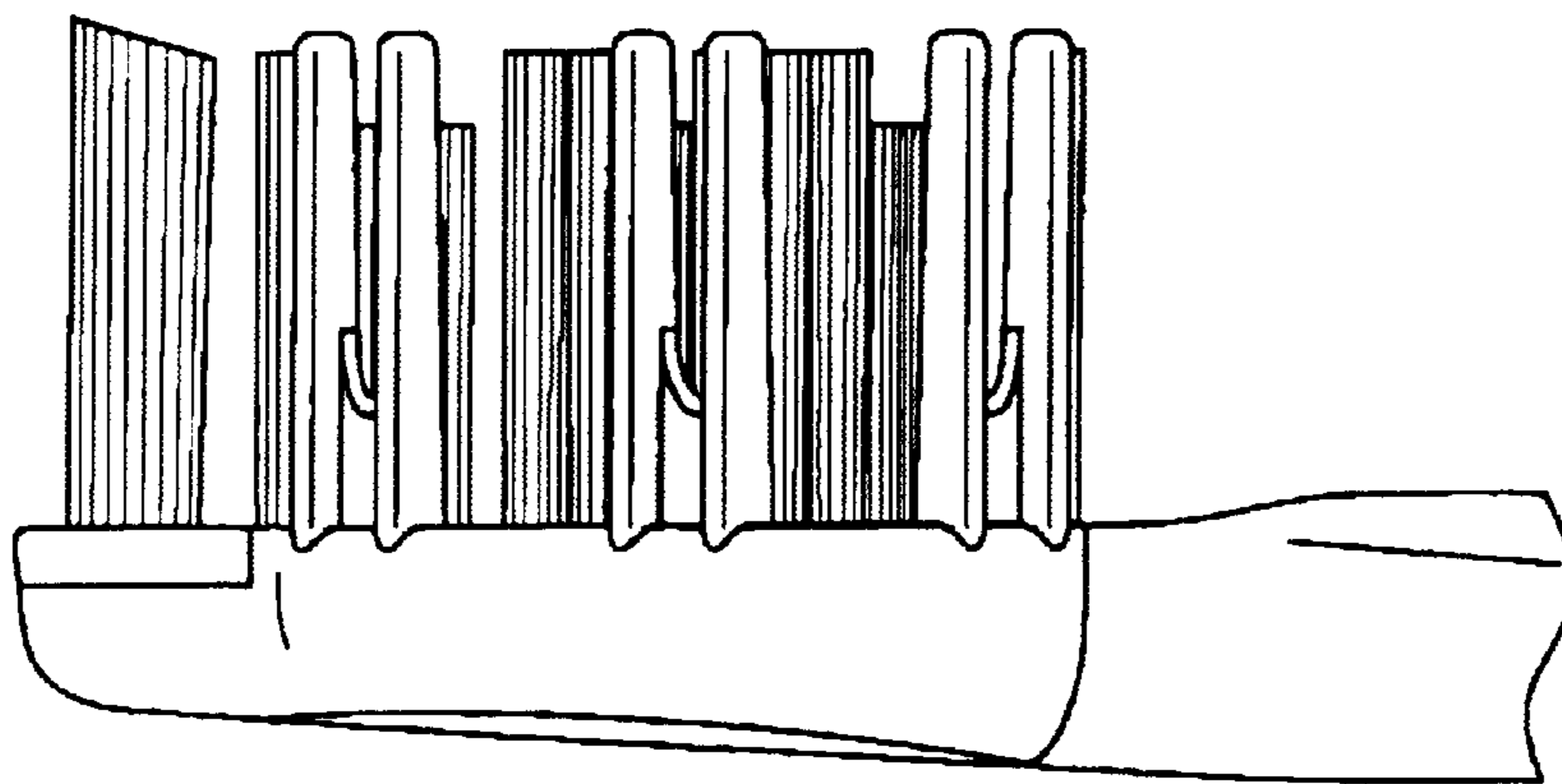
**FIG. 1**



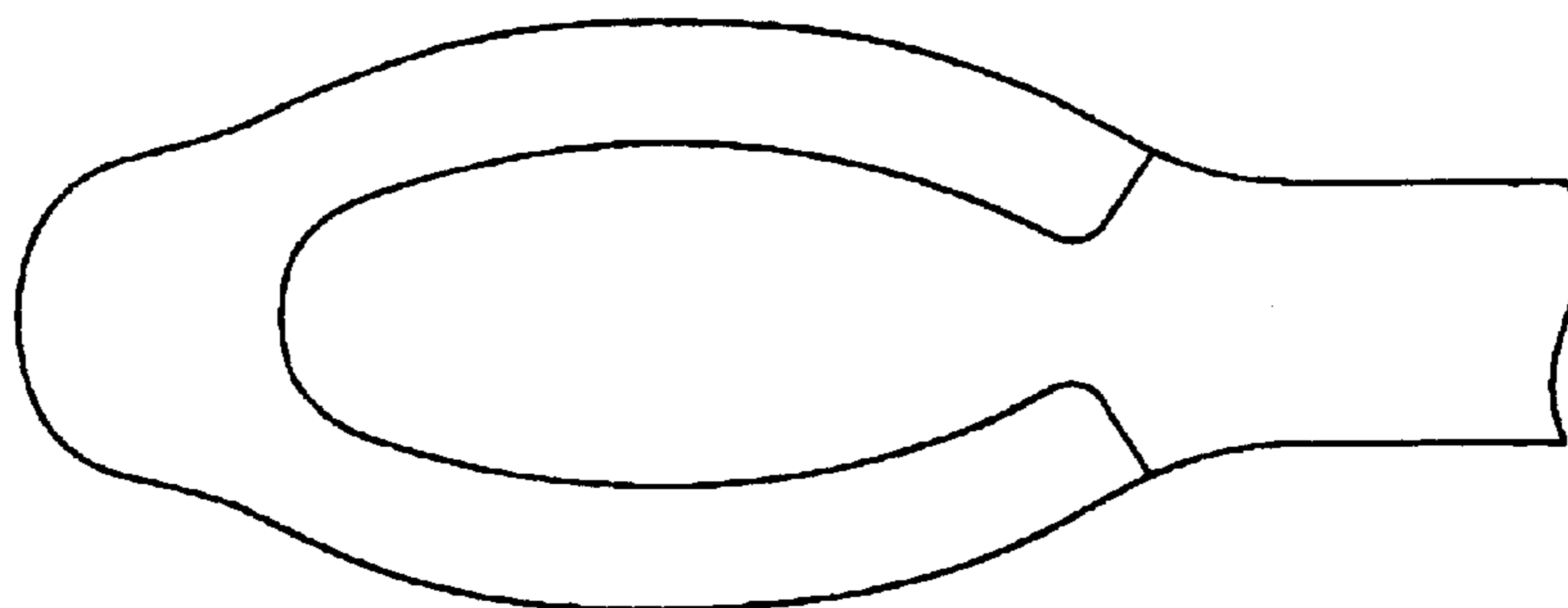
**FIG. 2**



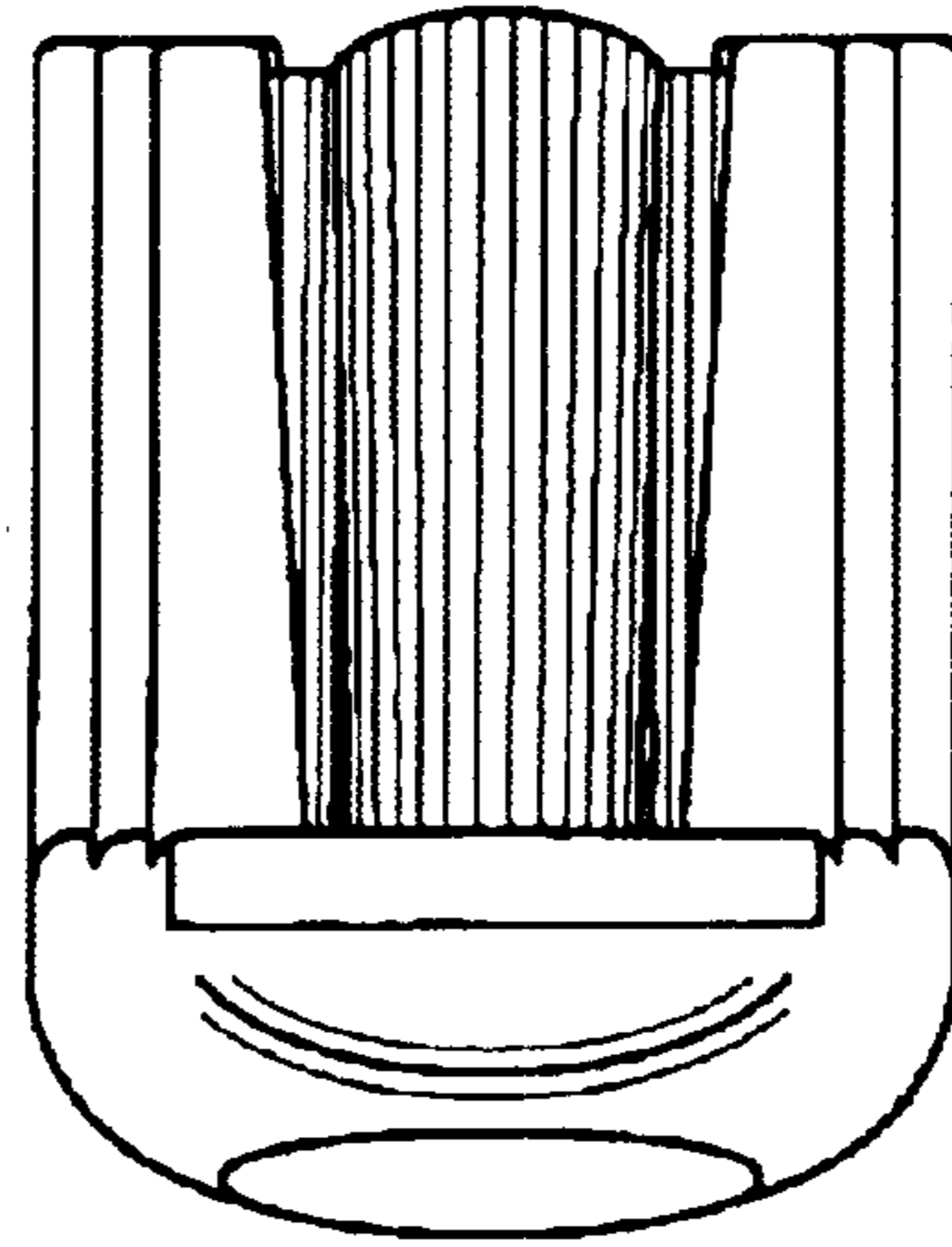
**FIG. 3**



**FIG. 4**



**FIG. 5**



**FIG. 6**

