



US00D465923S

(12) **United States Design Patent**  
**Pangerc et al.**

(10) **Patent No.:** **US D465,923 S**

(45) **Date of Patent:** **\*\* Nov. 26, 2002**

(54) **POWER TOOL STORAGE BAG**

(75) Inventors: **James Pangerc**, Parkville, MD (US);  
**Gregory Scott Snider**, Bel Air, MD  
(US); **Matthew J. Holland**, Baltimore,  
MD (US); **William E. Hawkins**,  
Odenton, MD (US)

(73) Assignee: **Black & Decker Inc.**, Newark, DE  
(US)

(\*\*) Term: **14 Years**

(21) Appl. No.: **29/145,588**

(22) Filed: **Jul. 25, 2001**

(51) **LOC (7) Cl.** ..... **03-01**

(52) **U.S. Cl.** ..... **D3/289; D3/276**

(58) **Field of Search** ..... D3/273, 276, 283,  
D3/285, 286, 287, 289, 288, 290, 905;  
190/100, 109, 110, 111, 112, 113

(56) **References Cited**

**U.S. PATENT DOCUMENTS**

D361,662 S \* 8/1995 King et al. .... D3/276

D447,340 S \* 9/2001 Snider ..... D3/276

D447,630 S \* 9/2001 Snider ..... D3/276

D447,632 S \* 9/2001 Gisser ..... D3/276

\* cited by examiner

*Primary Examiner*—Philip S. Hyder

(74) *Attorney, Agent, or Firm*—Harness, Dickey & Pierce,  
P.L.C.

(57) **CLAIM**

The ornamental design for a power tool storage bag, as  
shown and described.

**DESCRIPTION**

FIG. 1 is a perspective view of a tool bag in the closed  
position;

FIG. 2 is a front view thereof (the back view is identical to  
the front view);

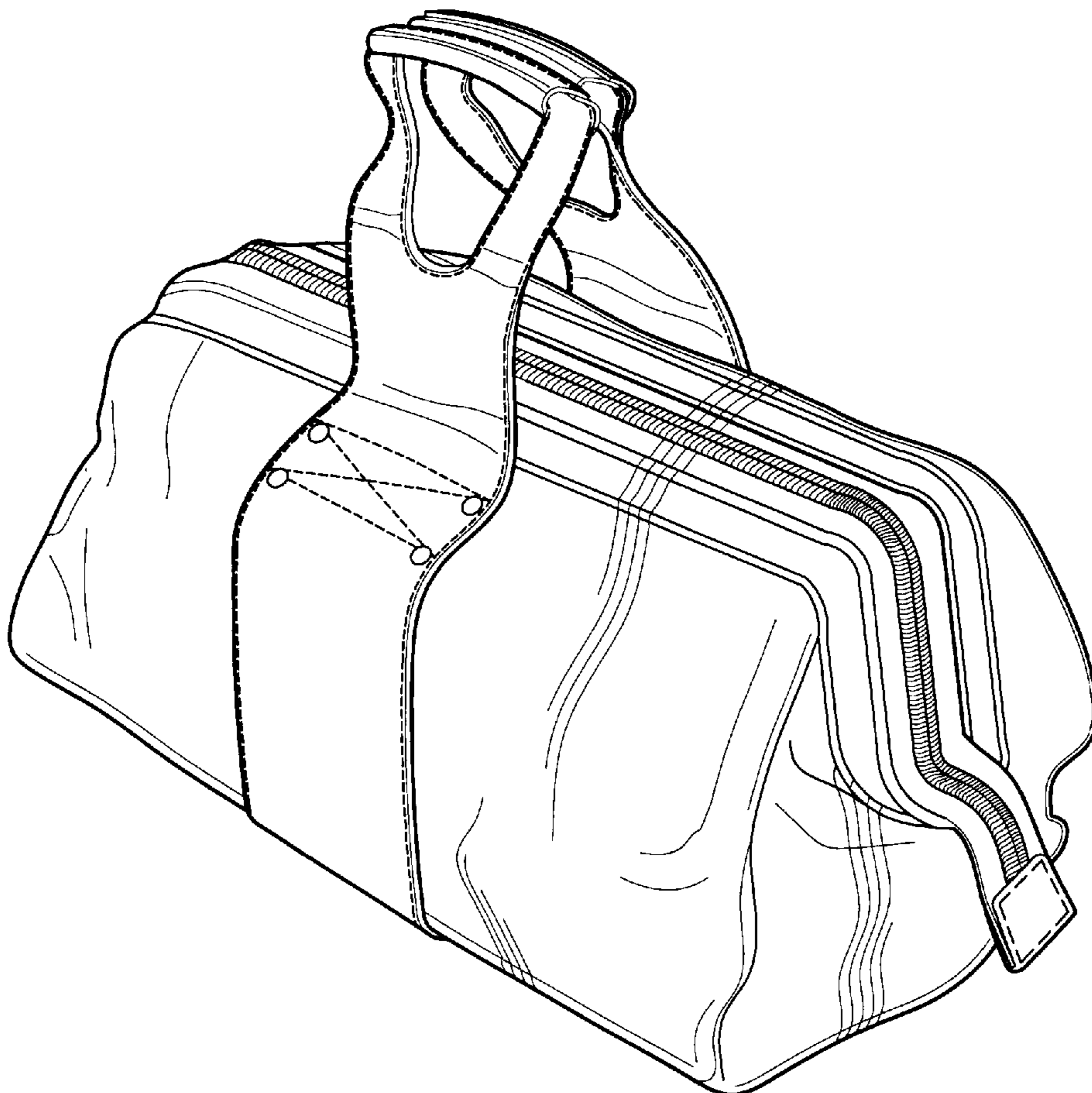
FIG. 3 is a top view of the tool bag in the open position;

FIG. 4 is a left side view thereof (the right side is identical  
to the left side);

FIG. 5 is a bottom view thereof; and,

FIG. 6 is a perspective view of the tool bag in the open  
position.

**1 Claim, 3 Drawing Sheets**



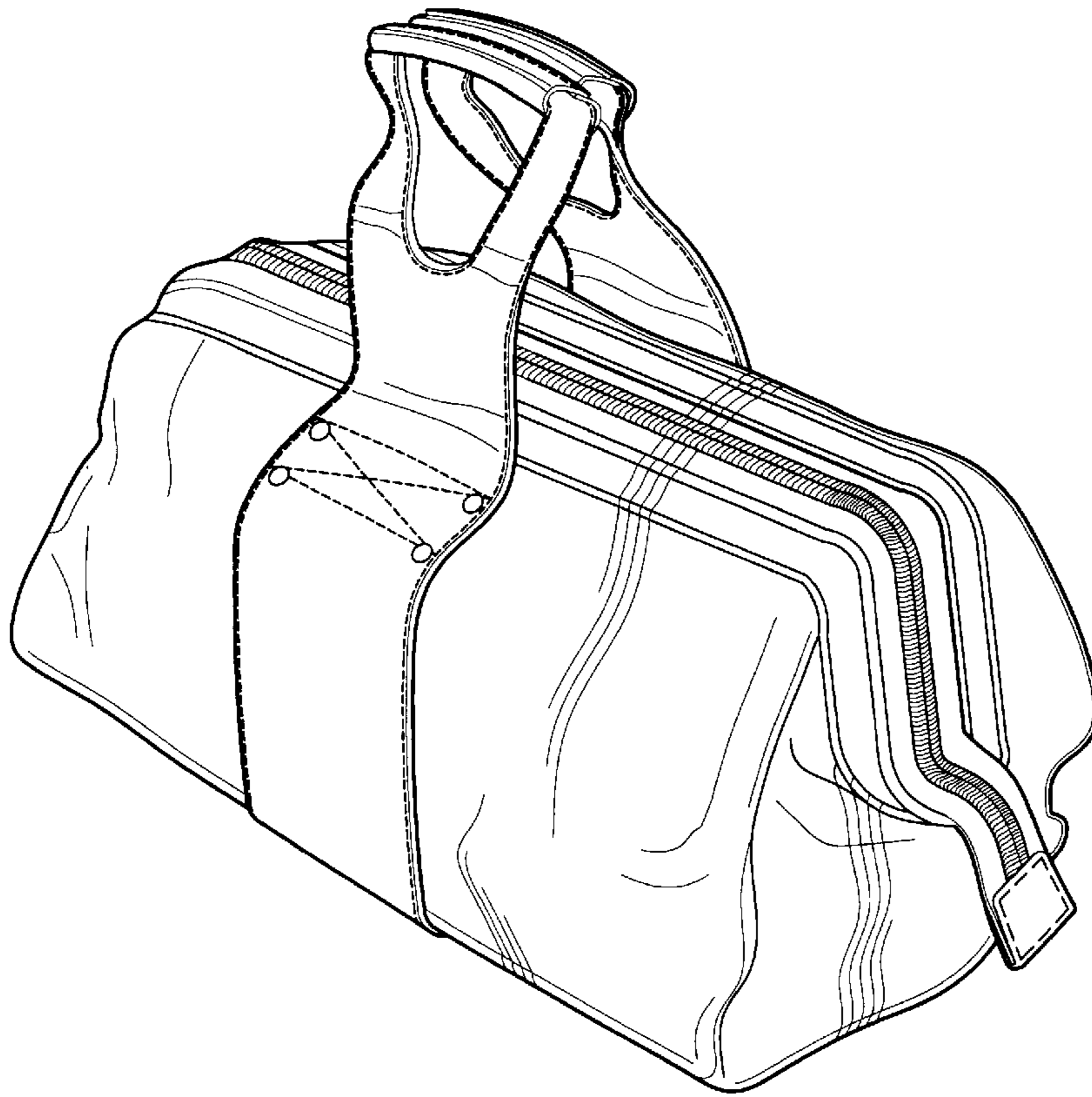


Fig-1

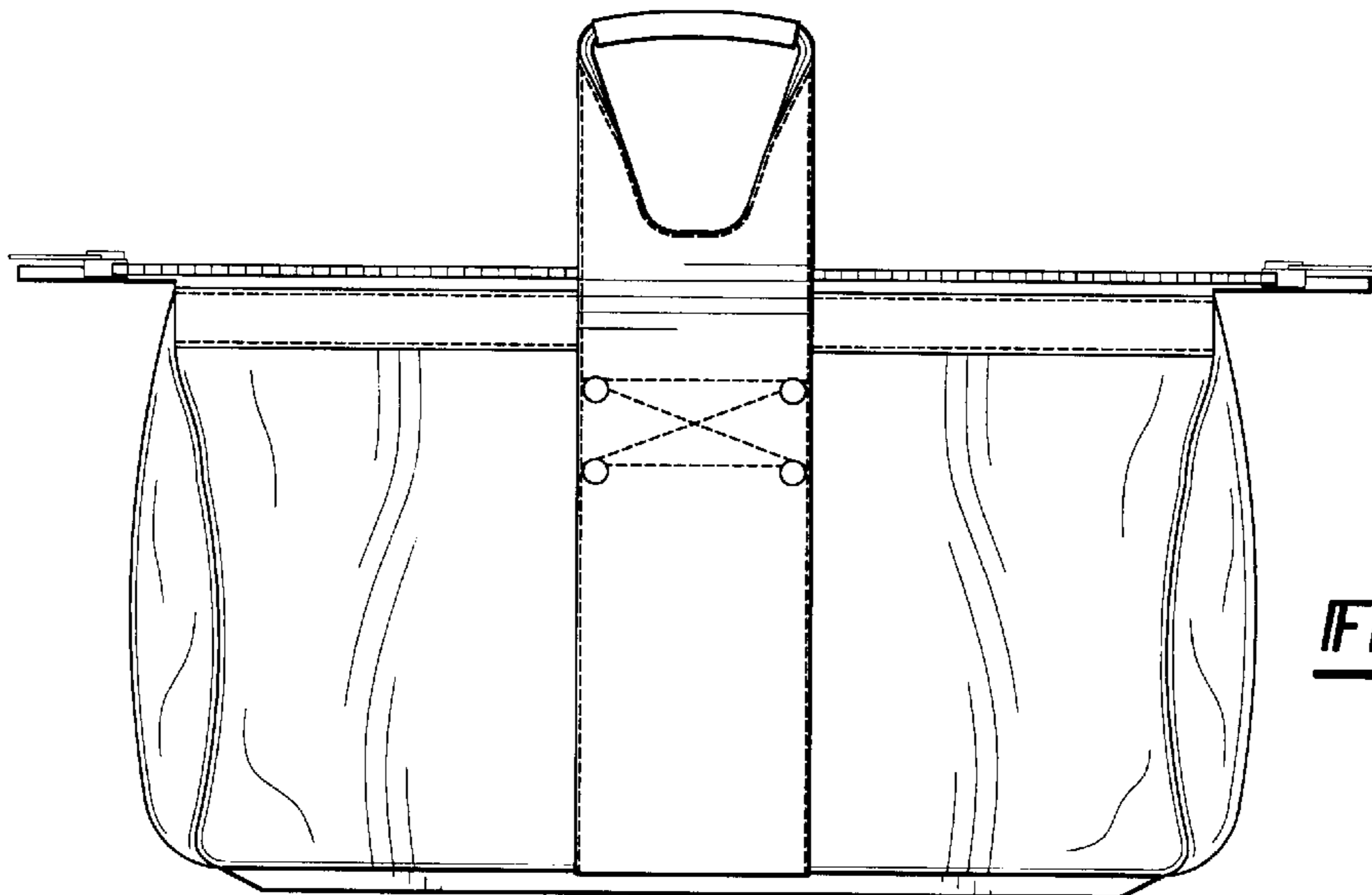


Fig-2

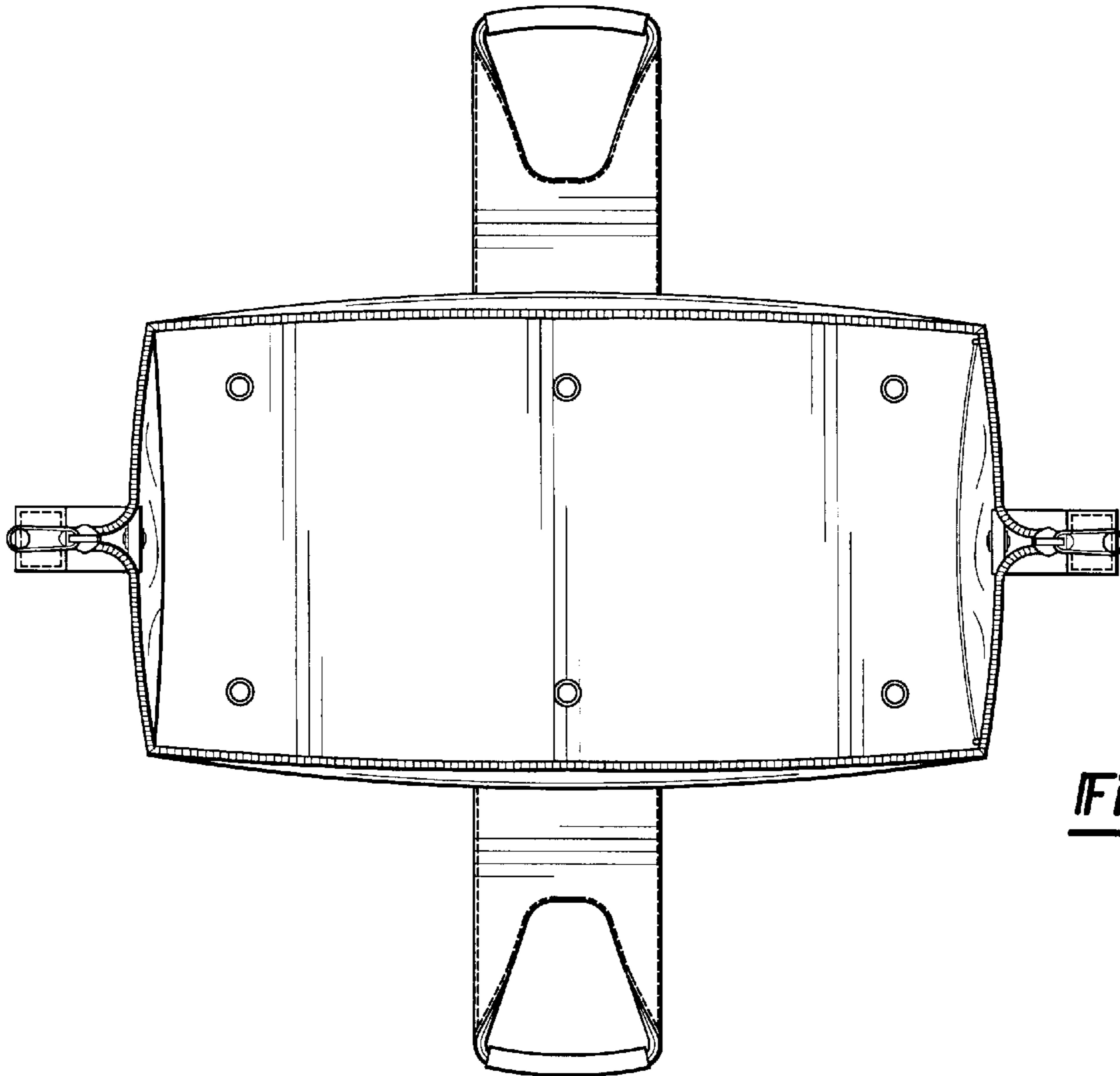


Fig-3

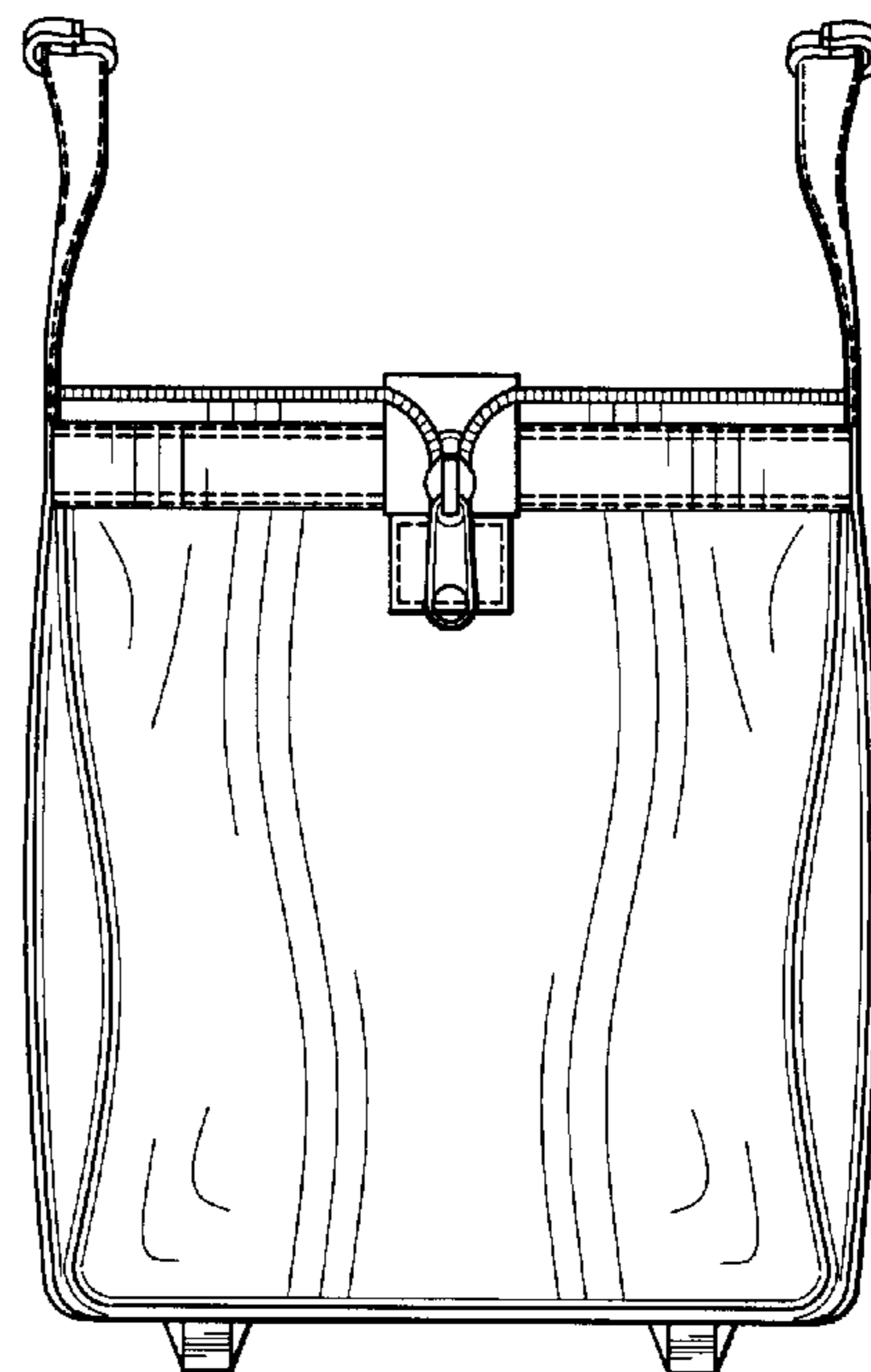


Fig-4

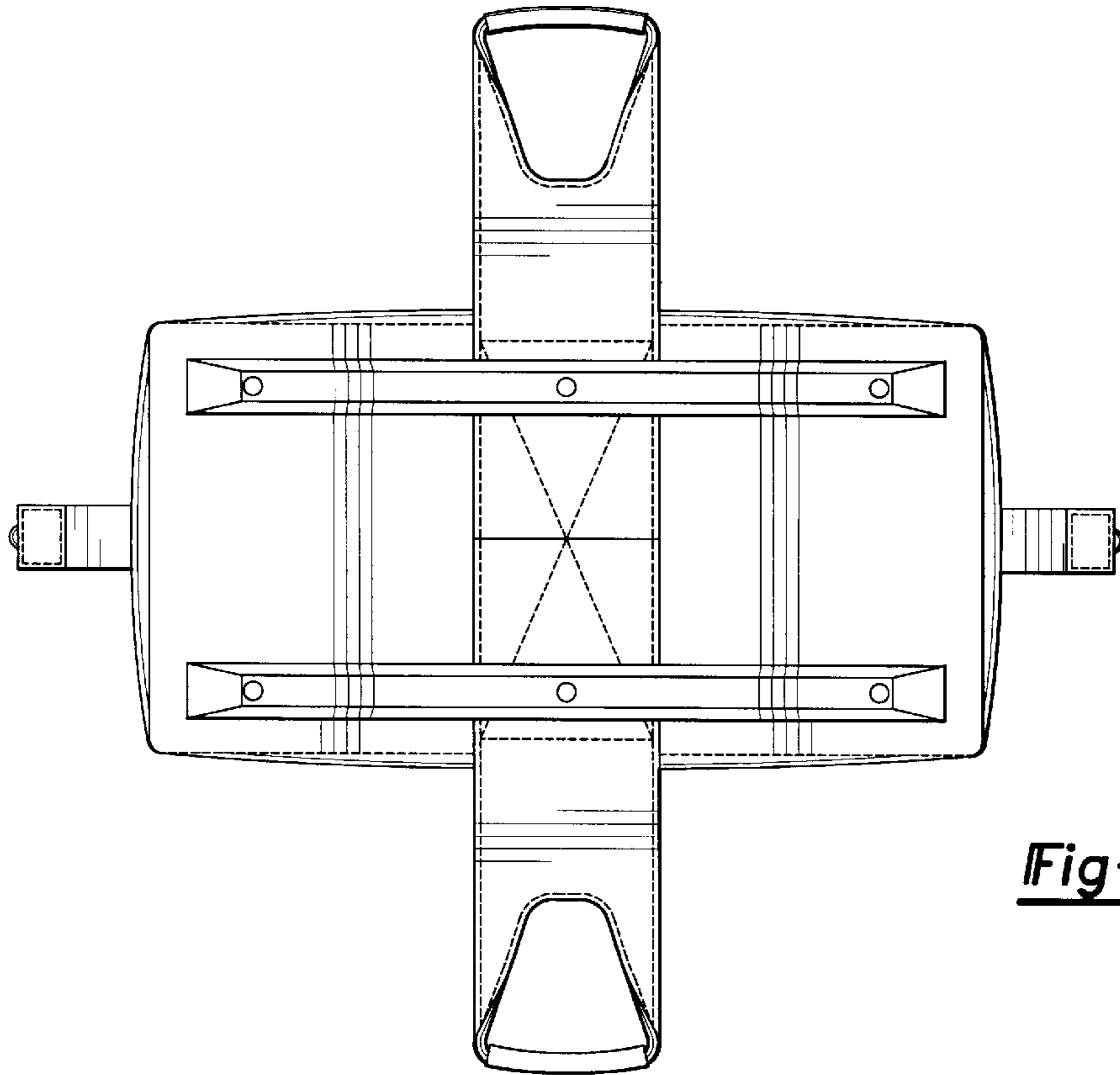


Fig-5

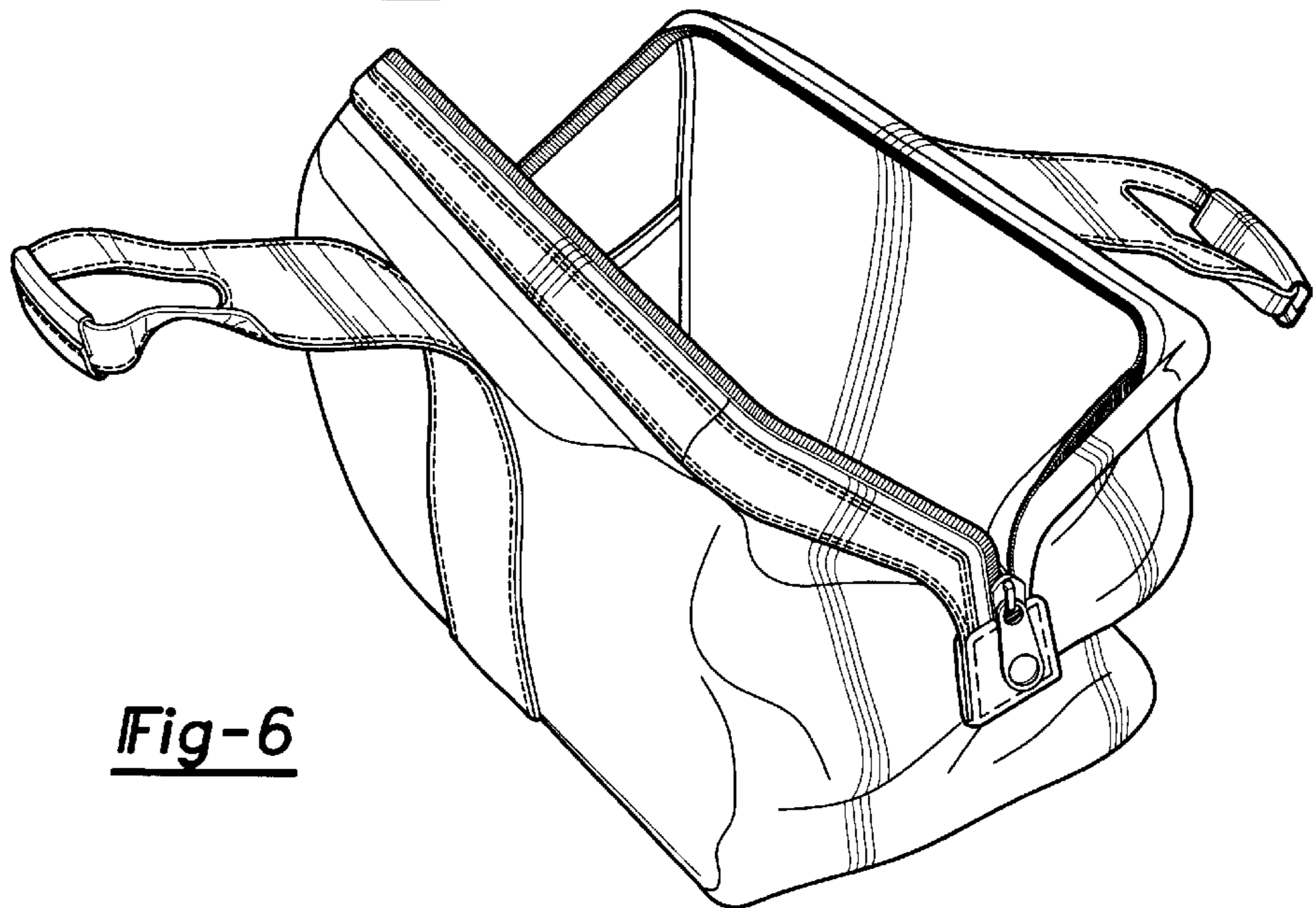


Fig-6