



US00D465921S

(12) **United States Design Patent**  
**Northrop et al.**

(10) **Patent No.:** **US D465,921 S**

(45) **Date of Patent:** **\*\* Nov. 26, 2002**

(54) **CHUCK BOX**

(75) Inventors: **Melaney Northrop**, Cleburne, TX  
(US); **Scott A. Skurdalsvold**, Arlington,  
TX (US)

(73) Assignee: **Doskocil Manufacturing Company,**  
**Inc.**, Arlington, TX (US)

(\*\*) Term: **14 Years**

(21) Appl. No.: **29/154,509**

(22) Filed: **Jan. 28, 2002**

(51) **LOC (7) Cl.** ..... **03-01**

(52) **U.S. Cl.** ..... **D3/273; D3/295; D3/905;**  
**D3/302**

(58) **Field of Search** ..... **D3/273, 274, 283,**  
**D3/291, 294, 295, 905, 302; 206/349, 372,**  
**373, 379; 312/244, 252**

(56) **References Cited**

**U.S. PATENT DOCUMENTS**

2,480,876 A	9/1949	Paden	
2,505,898 A	5/1950	Jaffe et al.	
2,669,641 A	2/1954	Becker	
D202,160 S	* 8/1965	Territo	D3/274
3,481,066 A	12/1969	Woolworth	
3,543,890 A	12/1970	Criswell	
3,860,307 A	1/1975	Fostel	312/252
D252,960 S	* 9/1979	Faust	D3/274
D272,705 S	* 2/1984	Gottsegen et al.	D3/274
5,007,569 A	4/1991	Zarb	224/275
5,202,098 A	4/1993	Nichols	
5,664,853 A	9/1997	Nickolaus, Jr.	312/249.12
5,676,240 A	* 10/1997	Cziraky et al.	206/1.7

5,683,157 A	11/1997	Peterson et al.	312/228
5,758,933 A	6/1998	Clendening	312/205
5,806,944 A	9/1998	Greenfield	312/244
5,979,725 A	11/1999	Lehrman	224/539
6,079,400 A	6/2000	Tomat Dany	
D443,137 S	* 6/2001	Lai	D3/295

**FOREIGN PATENT DOCUMENTS**

WO WO 01/44015 A1 6/2001

**OTHER PUBLICATIONS**

Cabela's Internet Advertisement, Dec. 12, 2001.

\* cited by examiner

*Primary Examiner*—Philip S. Hyder

(74) *Attorney, Agent, or Firm*—Locke Liddell & Sapp LLP

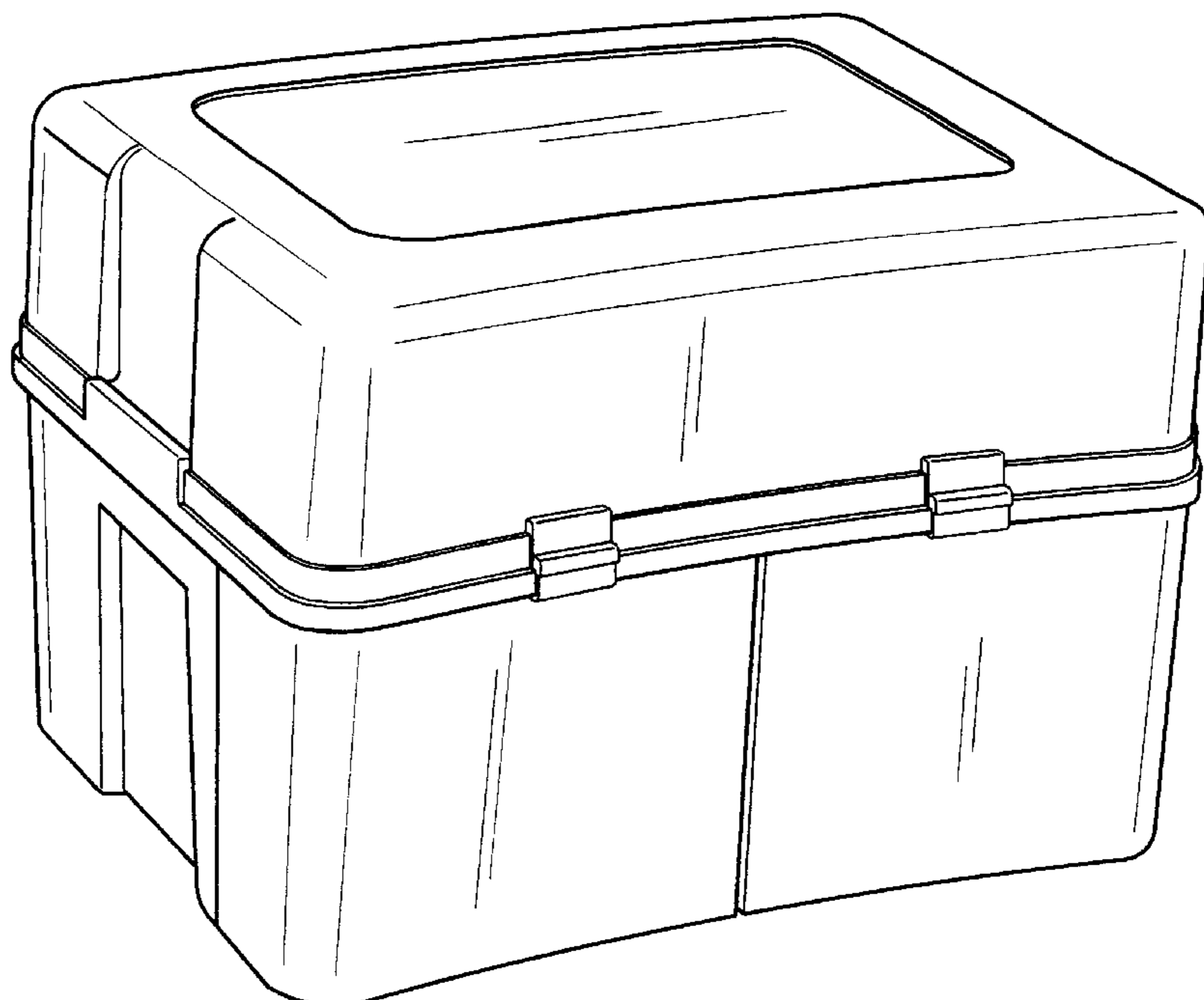
(57) **CLAIM**

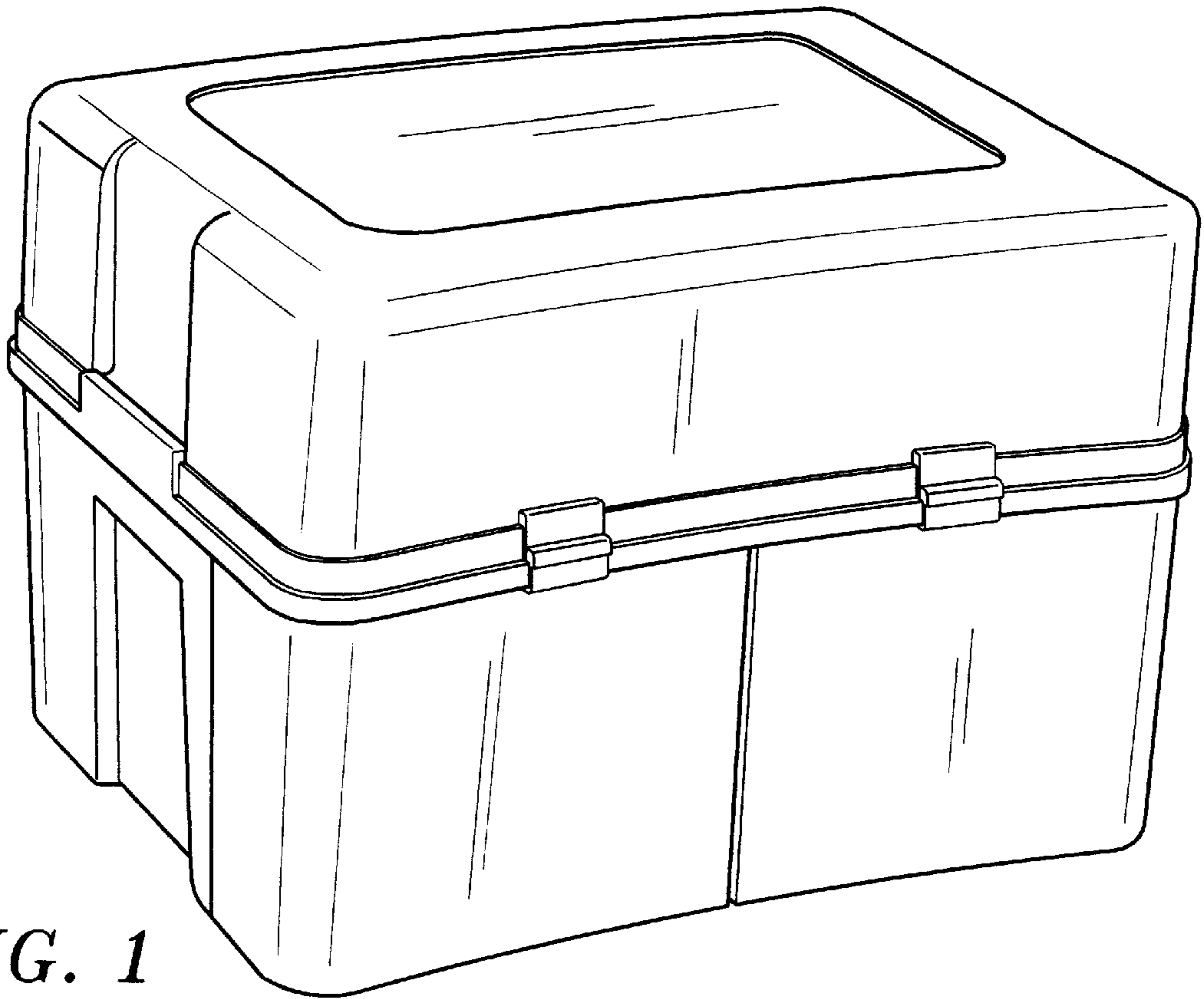
The ornamental design for a chuck box, as shown and described.

**DESCRIPTION**

FIG. 1 is a perspective view of our new chuck box; FIG. 2 is a front elevational view thereof; FIG. 3 is a right side elevational view thereof, the left side elevational view being a mirror image thereof; FIG. 4 is a rear elevational view thereof; FIG. 5 is a top plan view thereof; FIG. 6 is a bottom plan view thereof; and, FIG. 7 is a perspective view of the chuck box in the open position with the lid removed, left door open with wing work surface open, right door open with wing work surface closed, and central area with three partially opened accessory drawers.

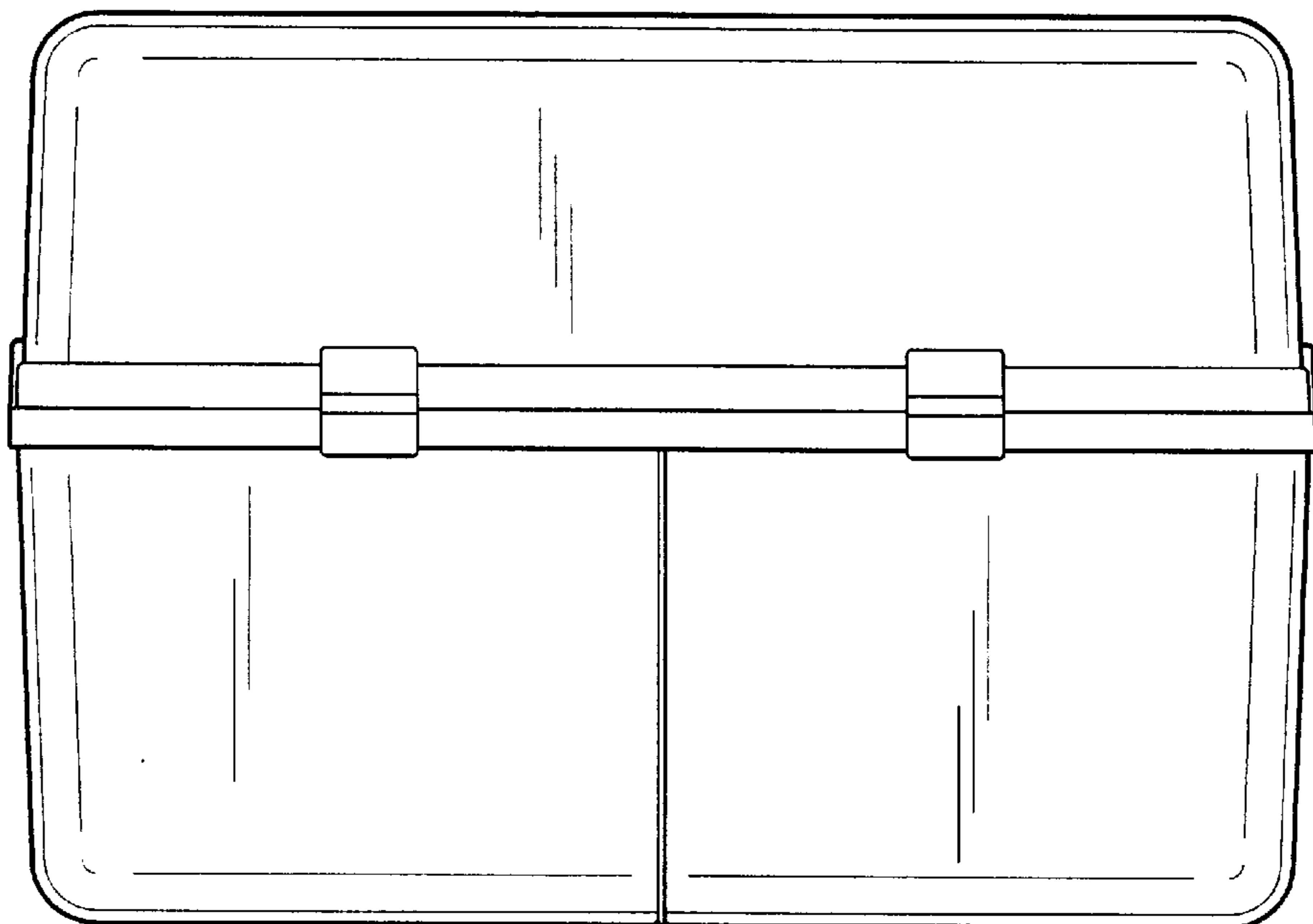
**1 Claim, 4 Drawing Sheets**

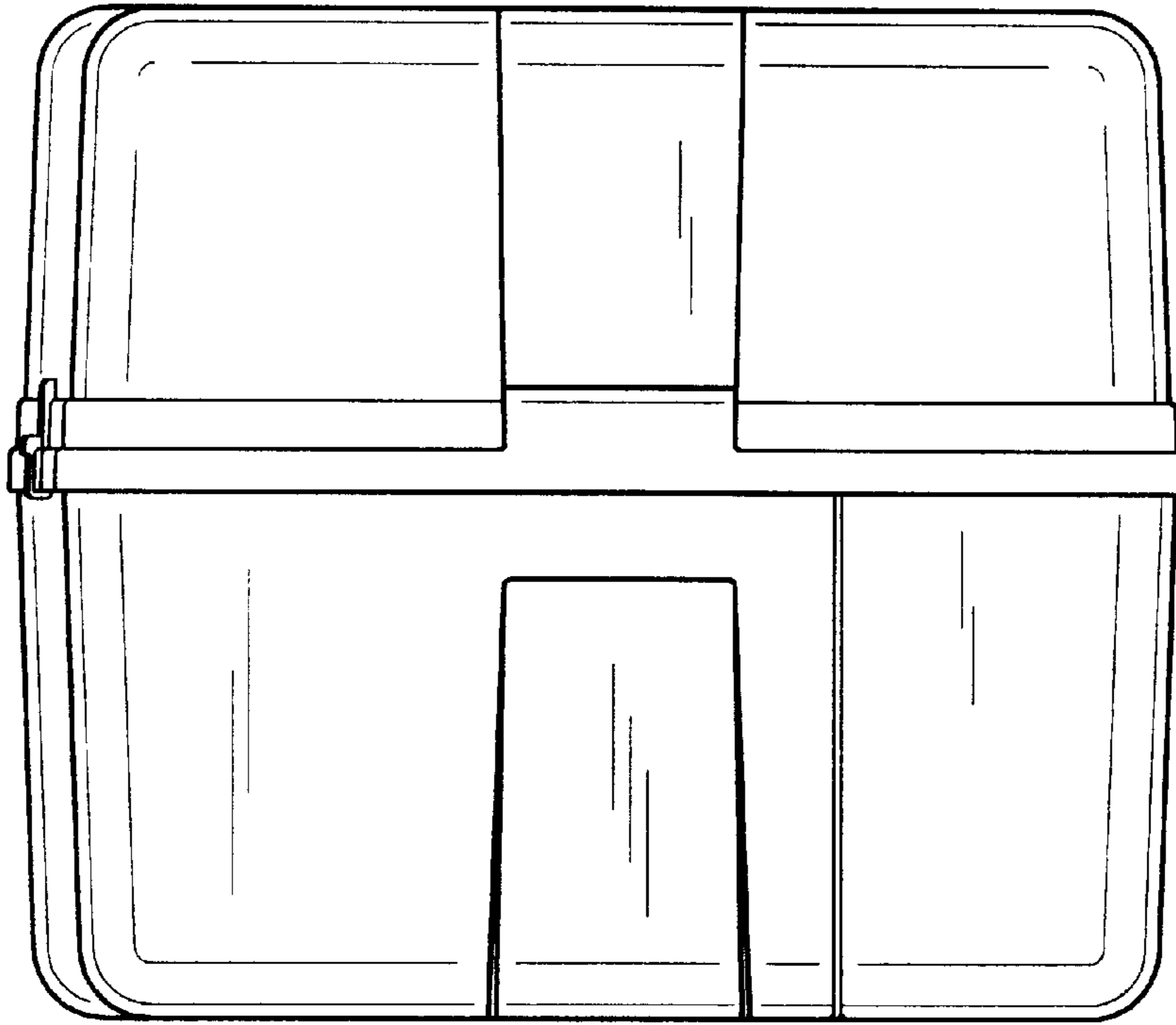




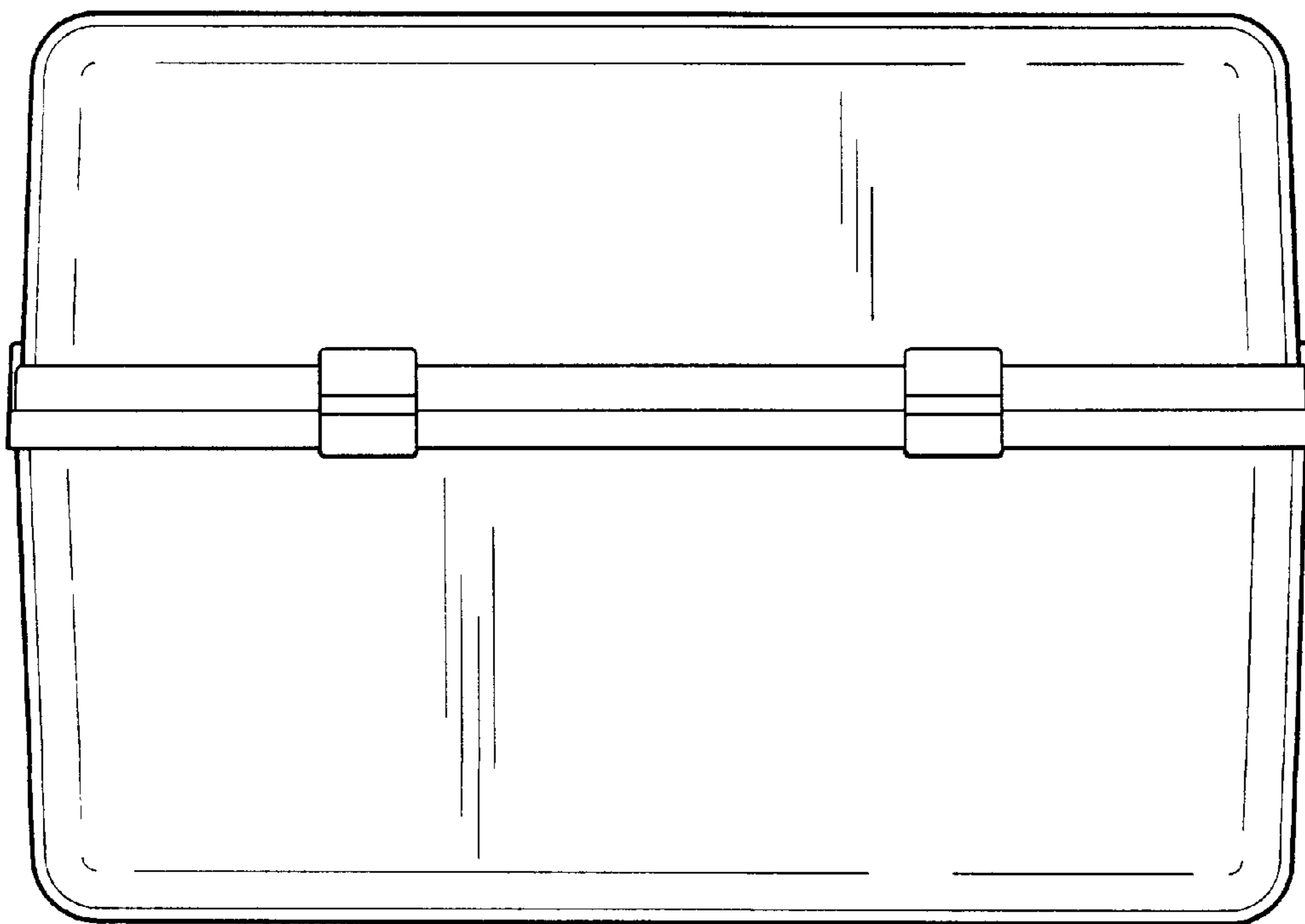
*FIG. 1*

*FIG. 2*

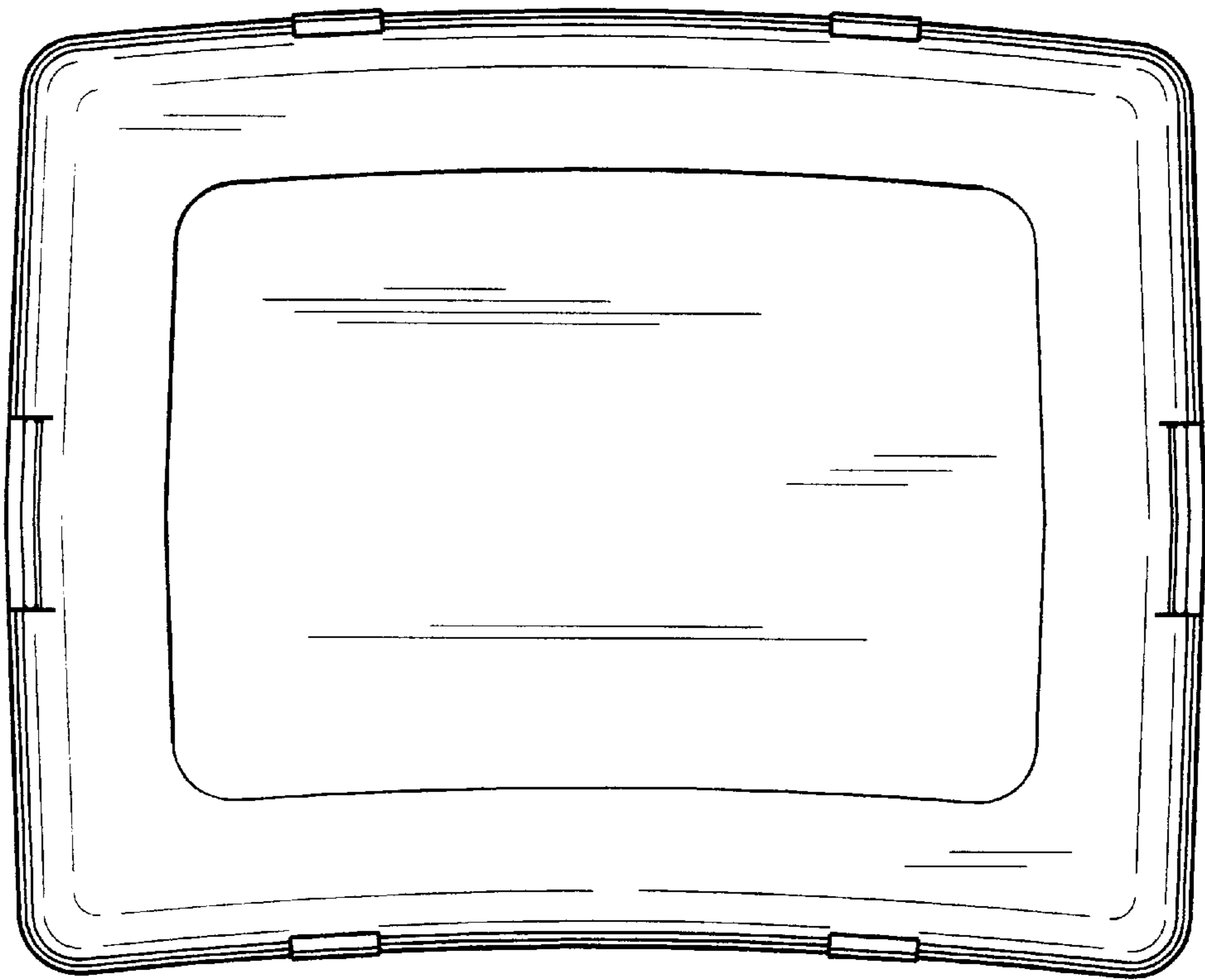




*FIG. 3*

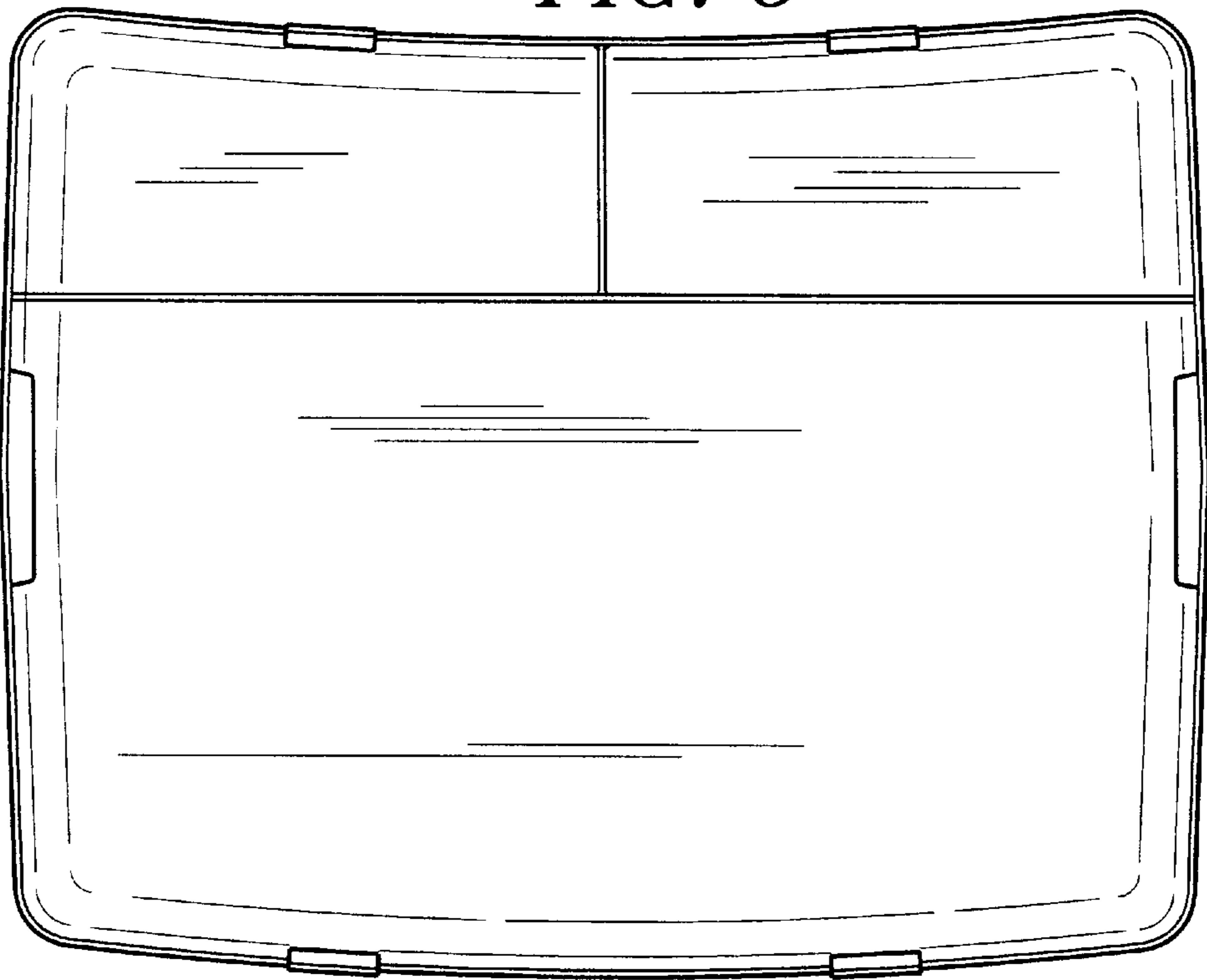


*FIG. 4*



*FIG. 5*

*FIG. 6*



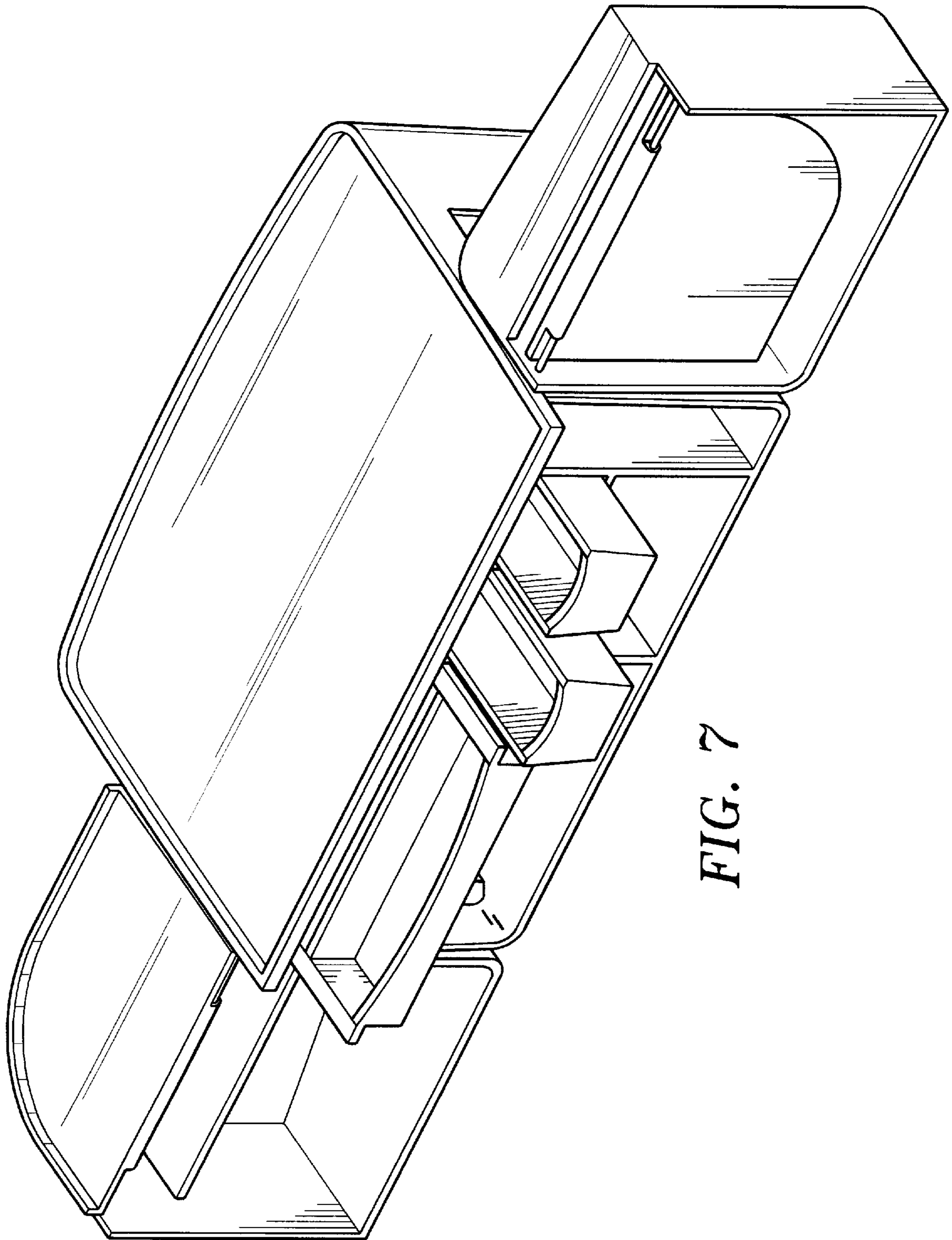


FIG. 7