



US00D465919S

(12) **United States Design Patent**
Chen

(10) **Patent No.:** **US D465,919 S**

(45) **Date of Patent:** **** Nov. 26, 2002**

(54) **TOOL BOX**

(76) **Inventor:** **Kun-Chen Chen**, No. 6, Lane 609,
Sec. 1, Chung-Shan Rd., Ye-Her Li,
Tachia Chen, Taichung Hsien (TW)

(**) **Term:** **14 Years**

(21) **Appl. No.:** **29/152,383**

(22) **Filed:** **Dec. 20, 2001**

(51) **LOC (7) Cl.** **03-01**

(52) **U.S. Cl.** **D3/271; D3/905**

(58) **Field of Search** D23/270, 269,
D23/271, 272, 273, 282, 294, 905; D9/308;
206/349, 372, 373, 457; D21/548, 549

(56) **References Cited**

U.S. PATENT DOCUMENTS

D369,023 S * 4/1996 Cheng D21/548
D397,868 S * 9/1998 Huang D21/548
D410,776 S * 6/1999 Aganian D3/271

D415,896 S * 11/1999 Hwang D21/538

D432,302 S * 10/2000 Chen D21/551

D434,222 S * 11/2000 Shih D3/271

D447,339 S * 9/2001 Rosmon D3/271

* cited by examiner

Primary Examiner—Philip S. Hyder

(74) *Attorney, Agent, or Firm*—Bacon & Thomas, PLLC

(57) **CLAIM**

The ornamental design for a tool box, as shown.

DESCRIPTION

FIG. 1 is a perspective view of a tool box showing my new design;

FIG. 2 is a front elevational view thereof;

FIG. 3 is a rear elevational view thereof;

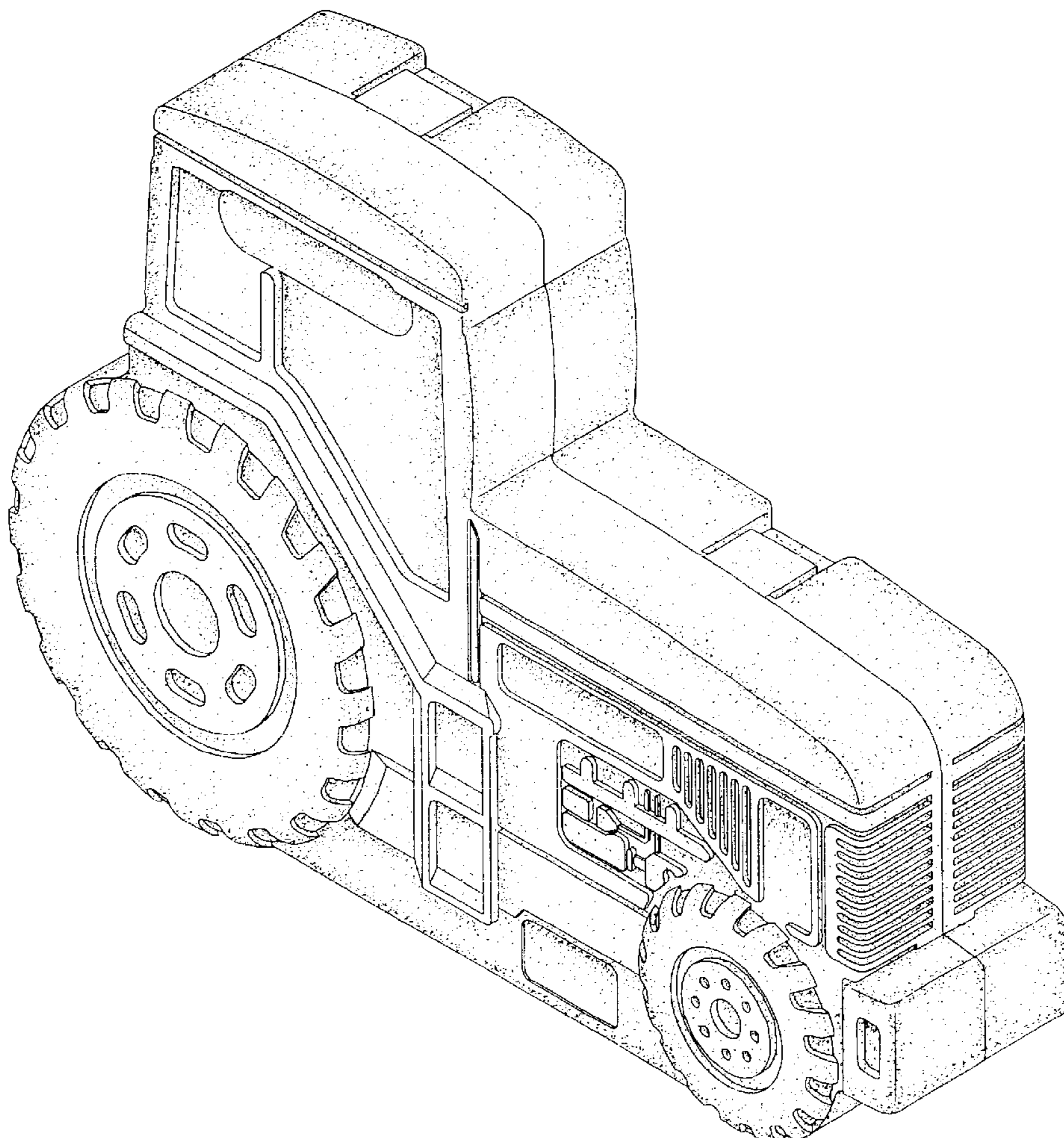
FIG. 4 is a left side view thereof;

FIG. 5 is a right side view thereof;

FIG. 6 is a top plain view thereof; and,

FIG. 7 is a bottom plain view thereof.

1 Claim, 5 Drawing Sheets



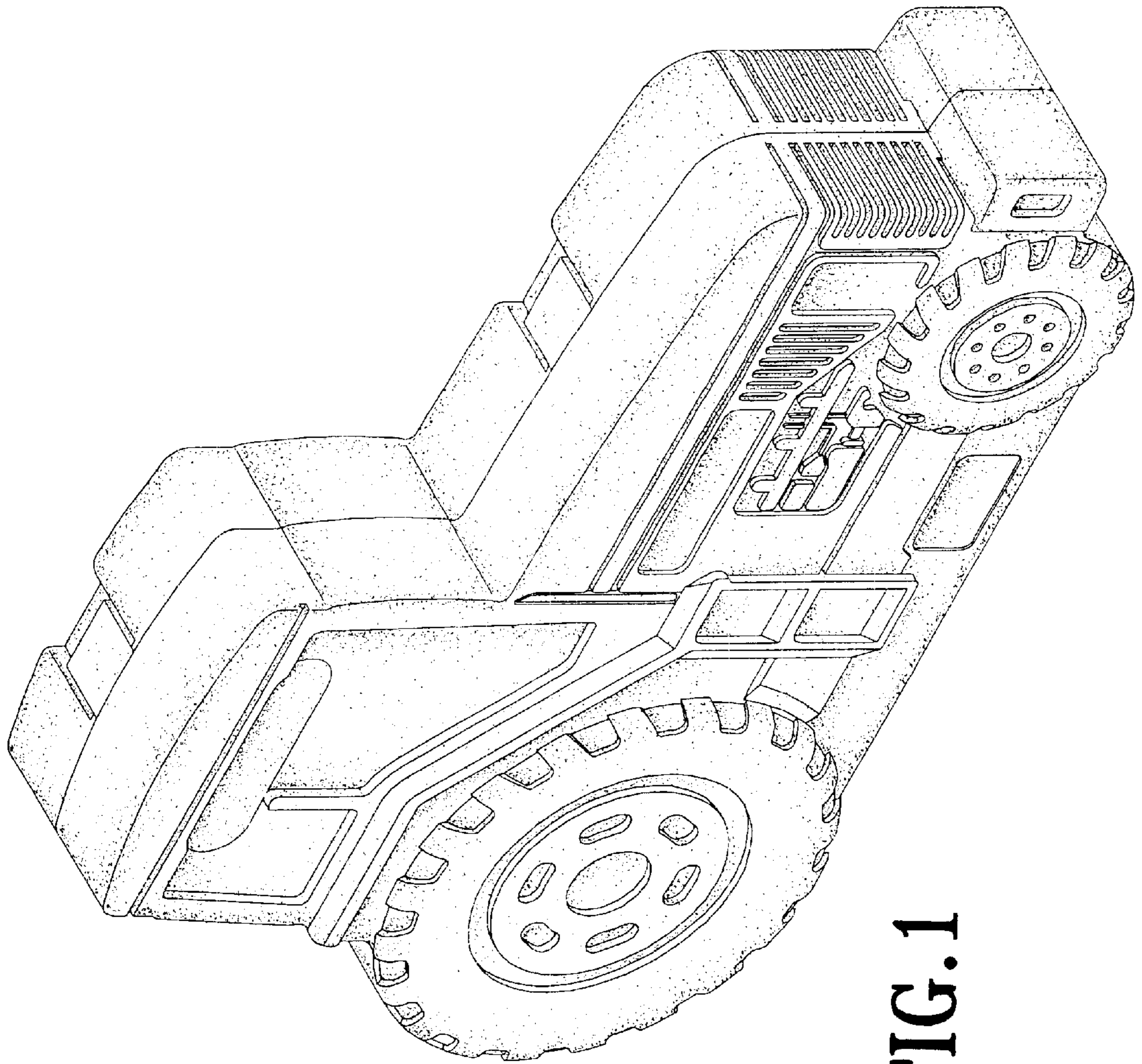


FIG. 1

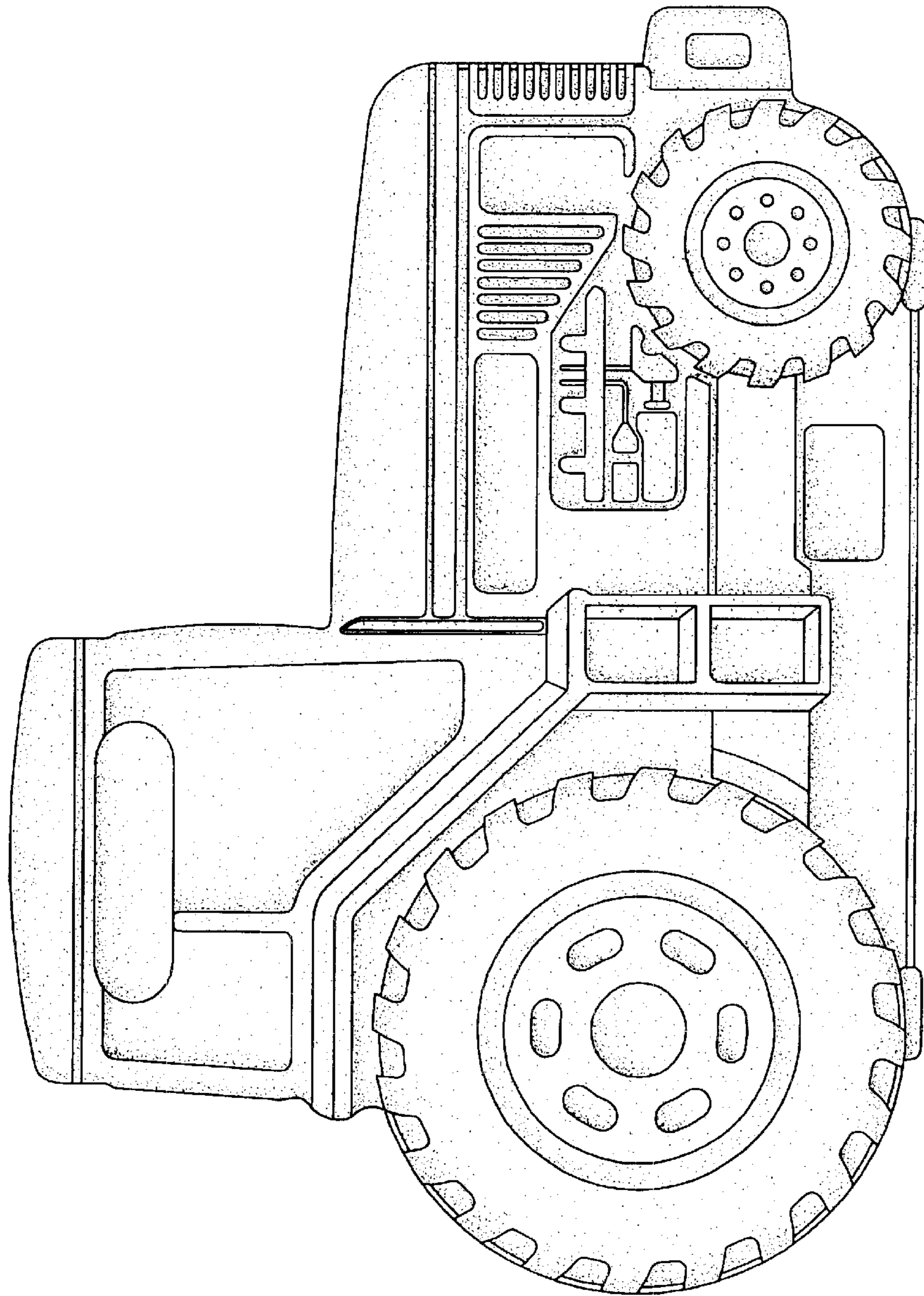


FIG. 2

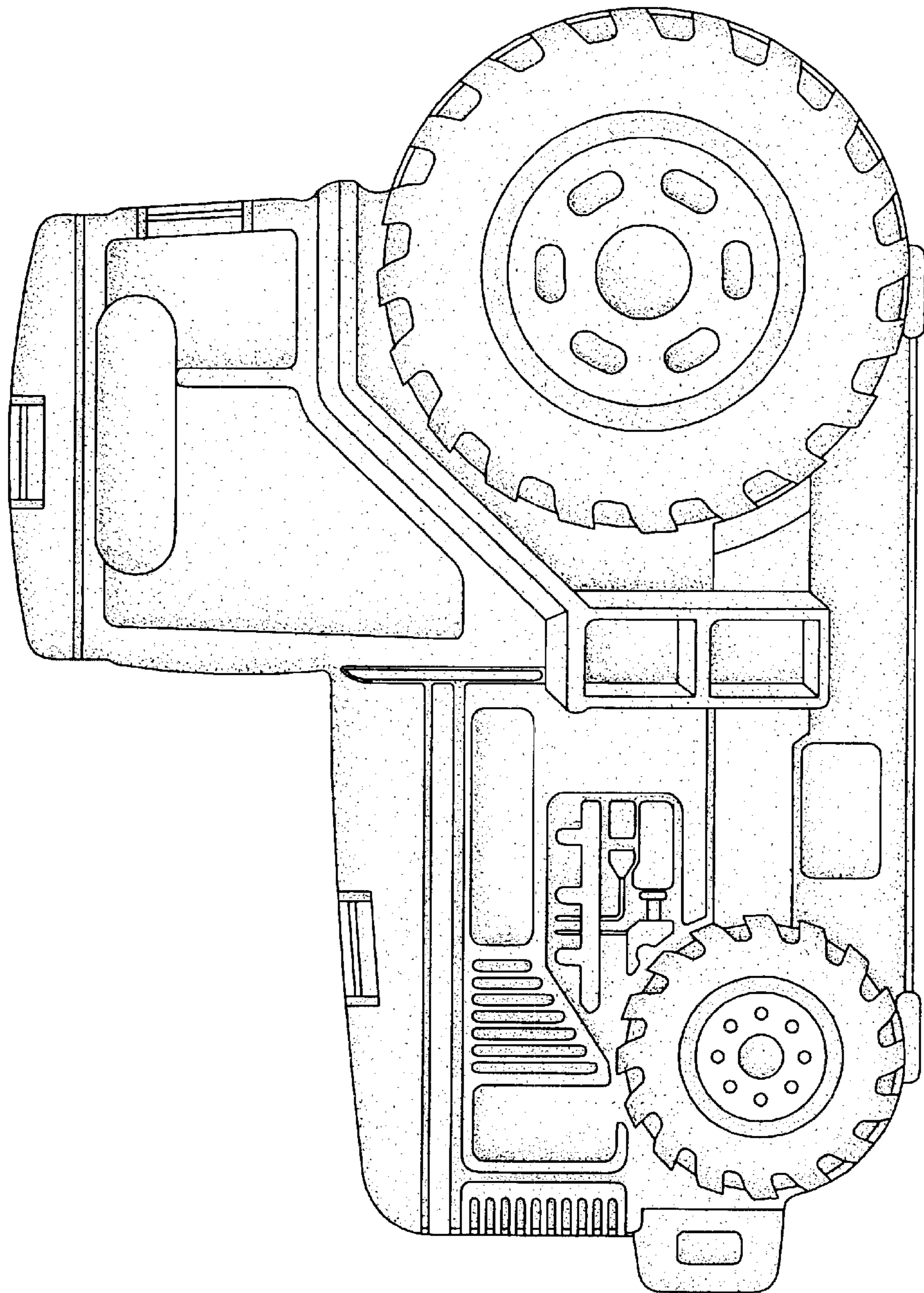


FIG. 3

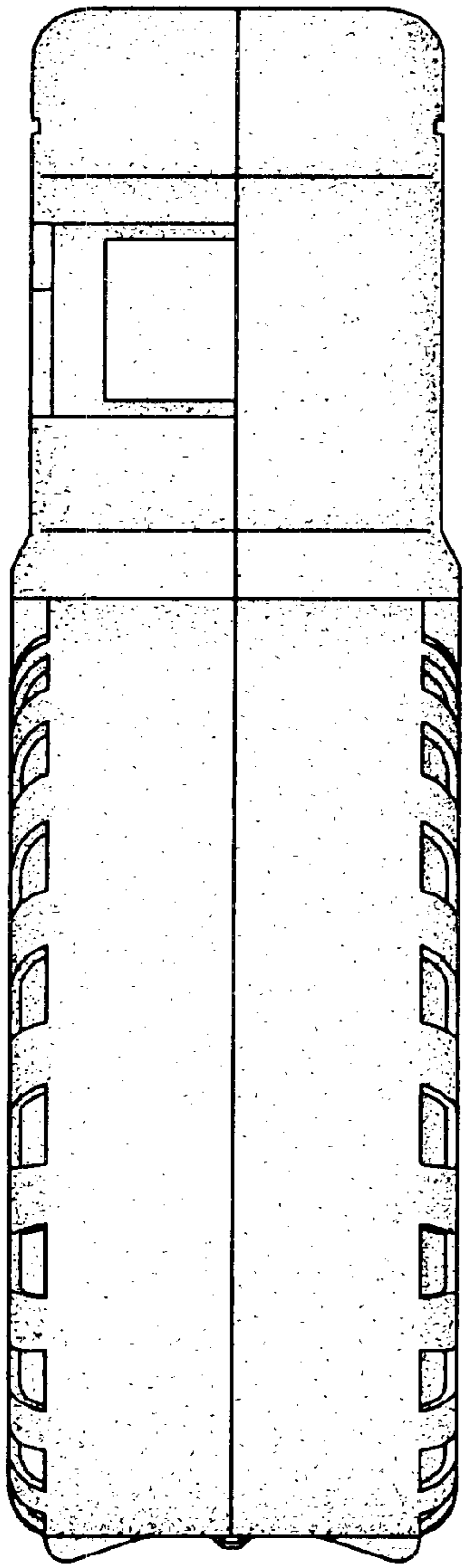


FIG. 4

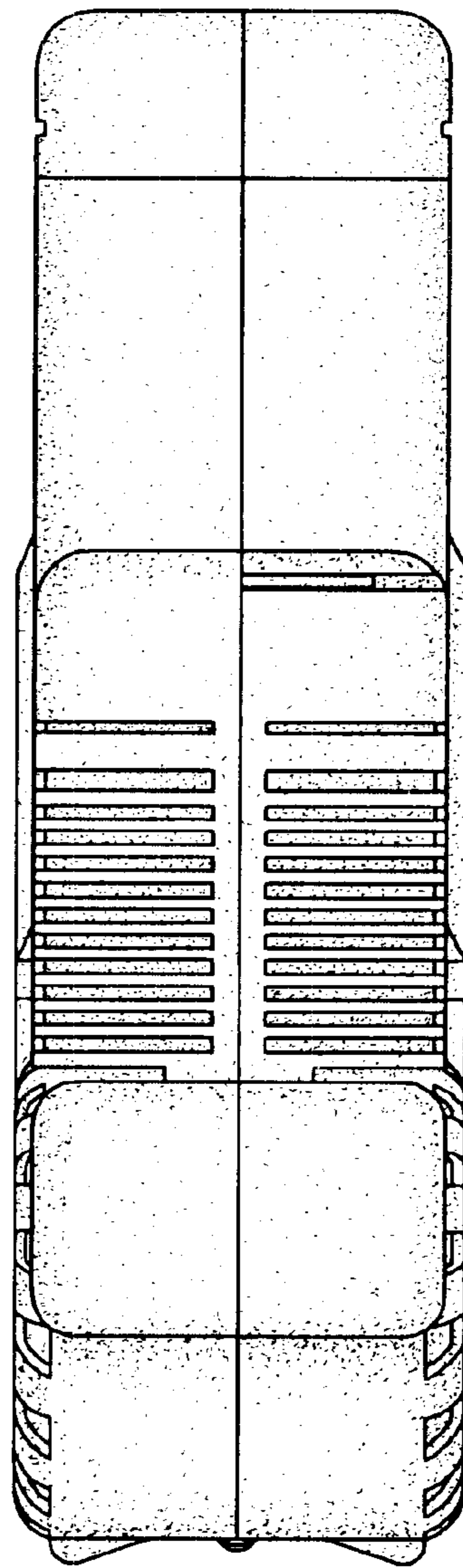


FIG. 5

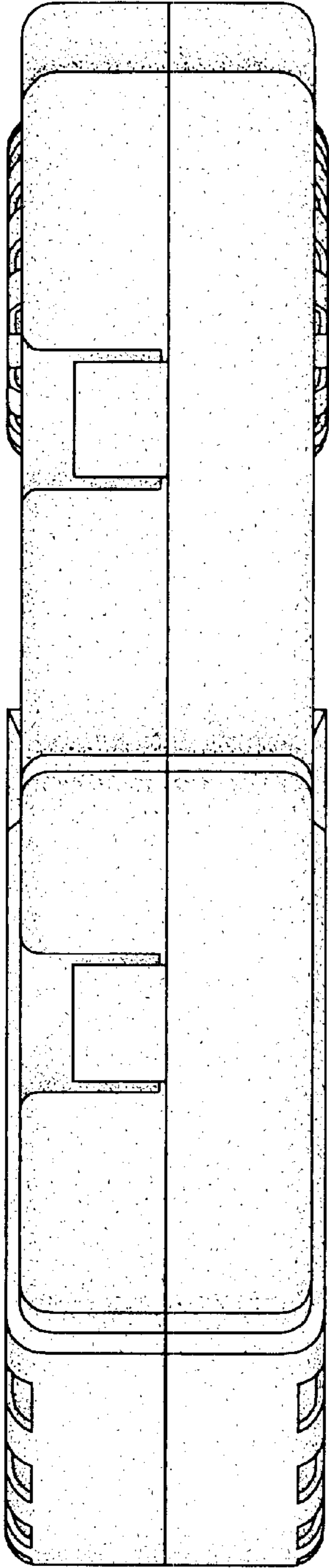


FIG. 6

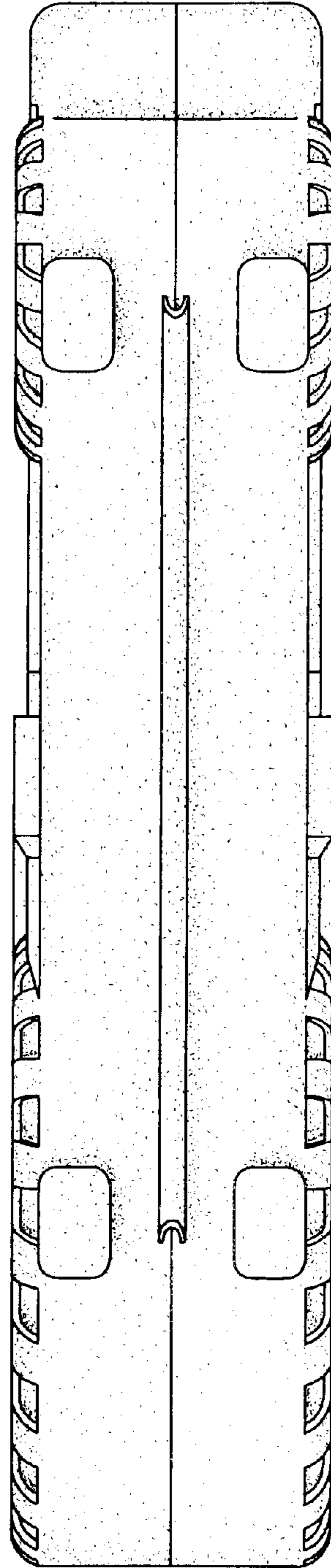


FIG. 7