



US00D465897S

(12) **United States Design Patent**
Smith

(10) **Patent No.:** **US D465,897 S**

(45) **Date of Patent:** **** Nov. 19, 2002**

(54) **POWER TROWEL DOLLY**

(75) Inventor: **Robert Smith**, Knoxville, TN (US)

(73) Assignee: **Allen Engineering Corp.**, Paragould, AR (US)

(**) Term: **14 Years**

(21) Appl. No.: **29/145,203**

(22) Filed: **Jul. 19, 2001**

(51) **LOC (7) Cl.** **12-02**

(52) **U.S. Cl.** **D34/23; D34/24**

(58) **Field of Search** **D34/12-27; 404/112, 404/85; 280/47.13, 47.17, 47.27, 47.28, 47.26, 47.24**

(56) **References Cited**

U.S. PATENT DOCUMENTS

2,983,203 A	5/1961	Fletcher
4,358,123 A	11/1982	Richards
4,398,737 A	8/1983	Harding
4,570,960 A	2/1986	Peetz
4,657,268 A	4/1987	Colson
5,129,708 A	7/1992	Swan

5,238,323 A	8/1993	Allen
D340,340 S	10/1993	Allen
5,513,940 A	5/1996	Florentin
6,059,299 A	5/2000	Rust

Primary Examiner—Kay H. Chin

(74) *Attorney, Agent, or Firm*—Stephen D. Carver

(57) **CLAIM**

The ornamental design for a power trowel dolly, as shown and described.

DESCRIPTION

FIG. 1 is an isometric view, taken from a position slightly to the rear of the left side thereof;

FIG. 2 is a frontal isometric view, taken for a position slightly to the rear of the right side thereof;

FIG. 3 is a frontal isometric view thereof;

FIG. 4 is a rear isometric view thereof;

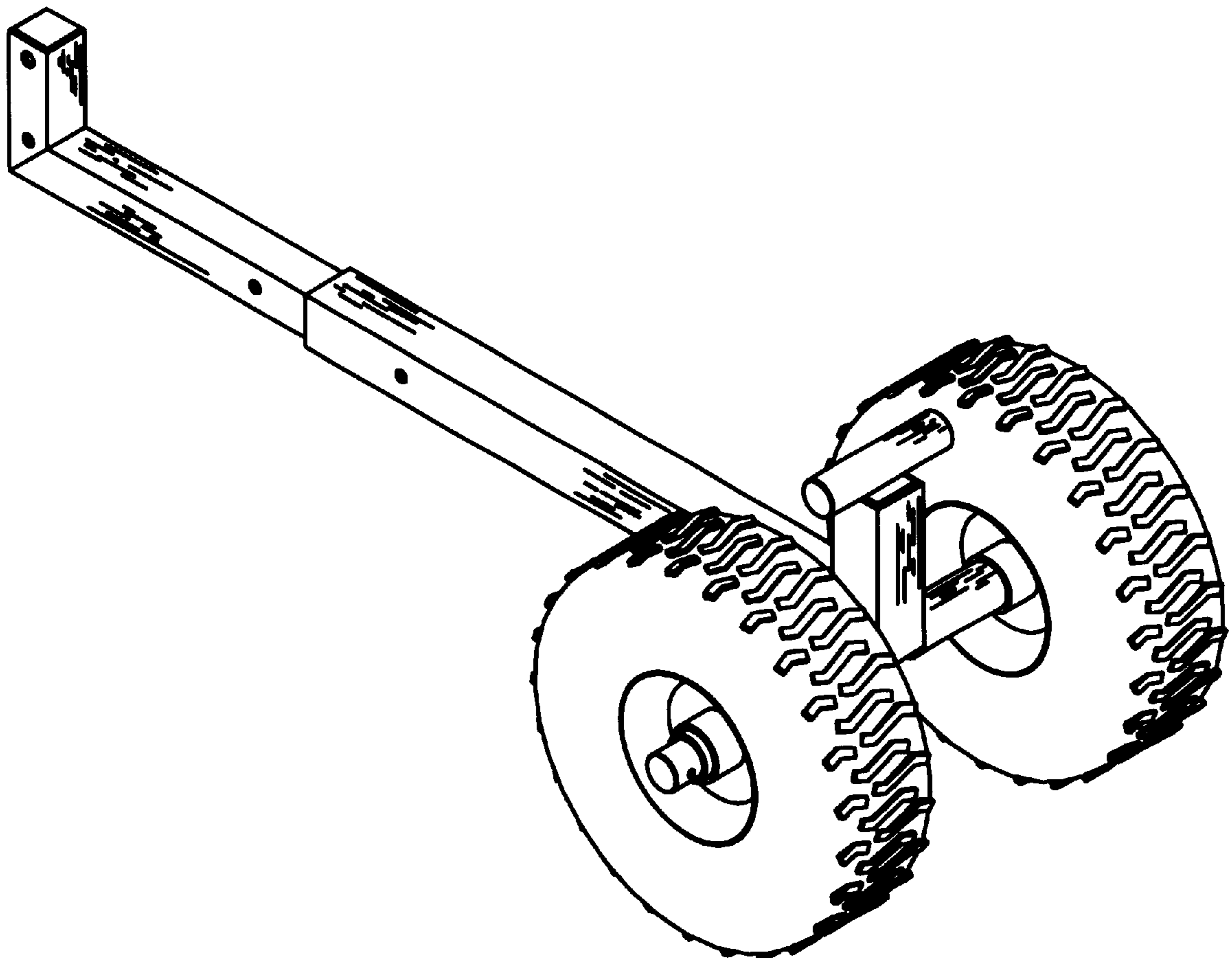
FIG. 5 is a top plan view thereof;

FIG. 6 is a left side elevational view thereof, the opposite side comprising a mirror image;

FIG. 7 is a front elevational view thereof; and,

FIG. 8 is a rear elevational view thereof.

1 Claim, 4 Drawing Sheets



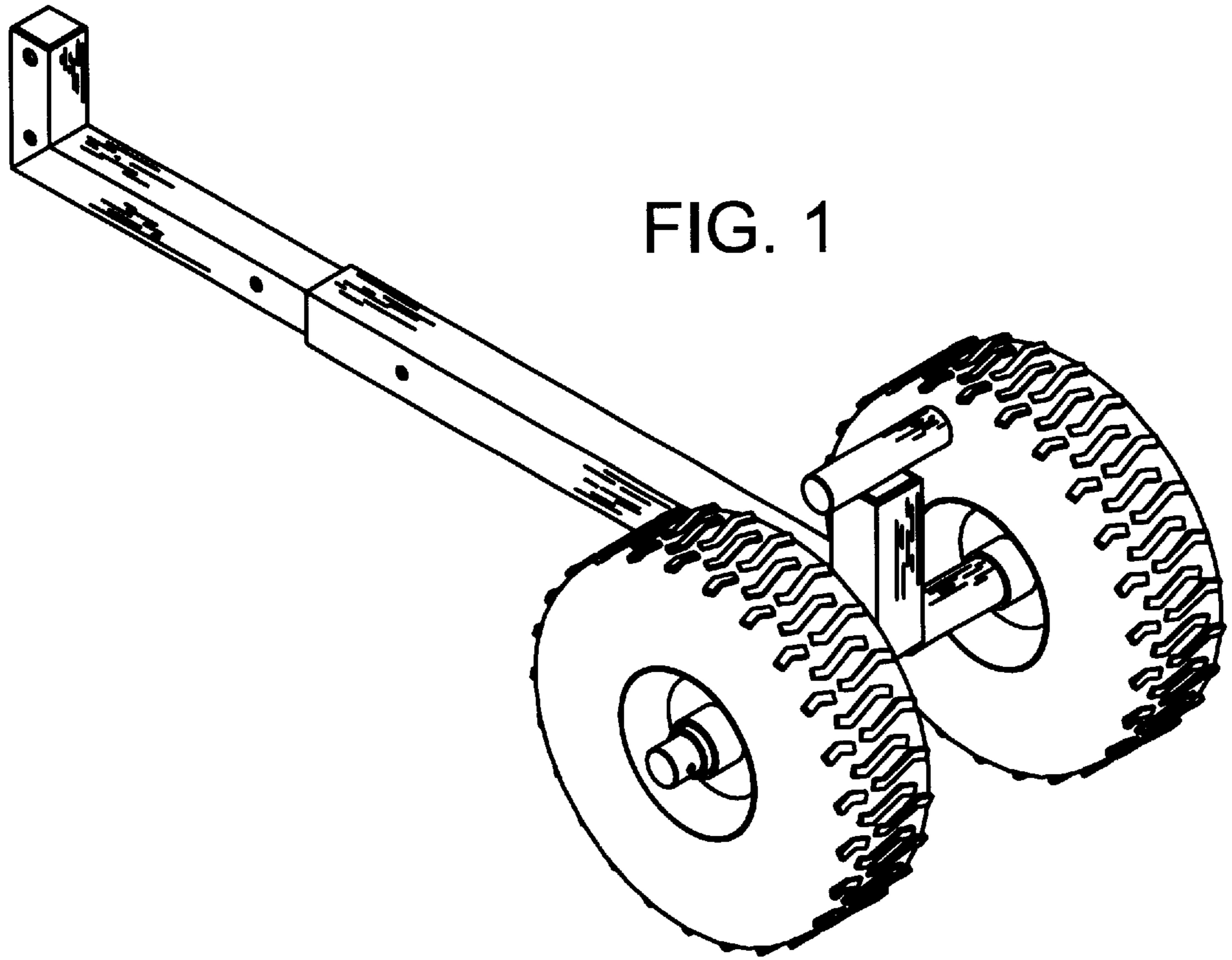


FIG. 1

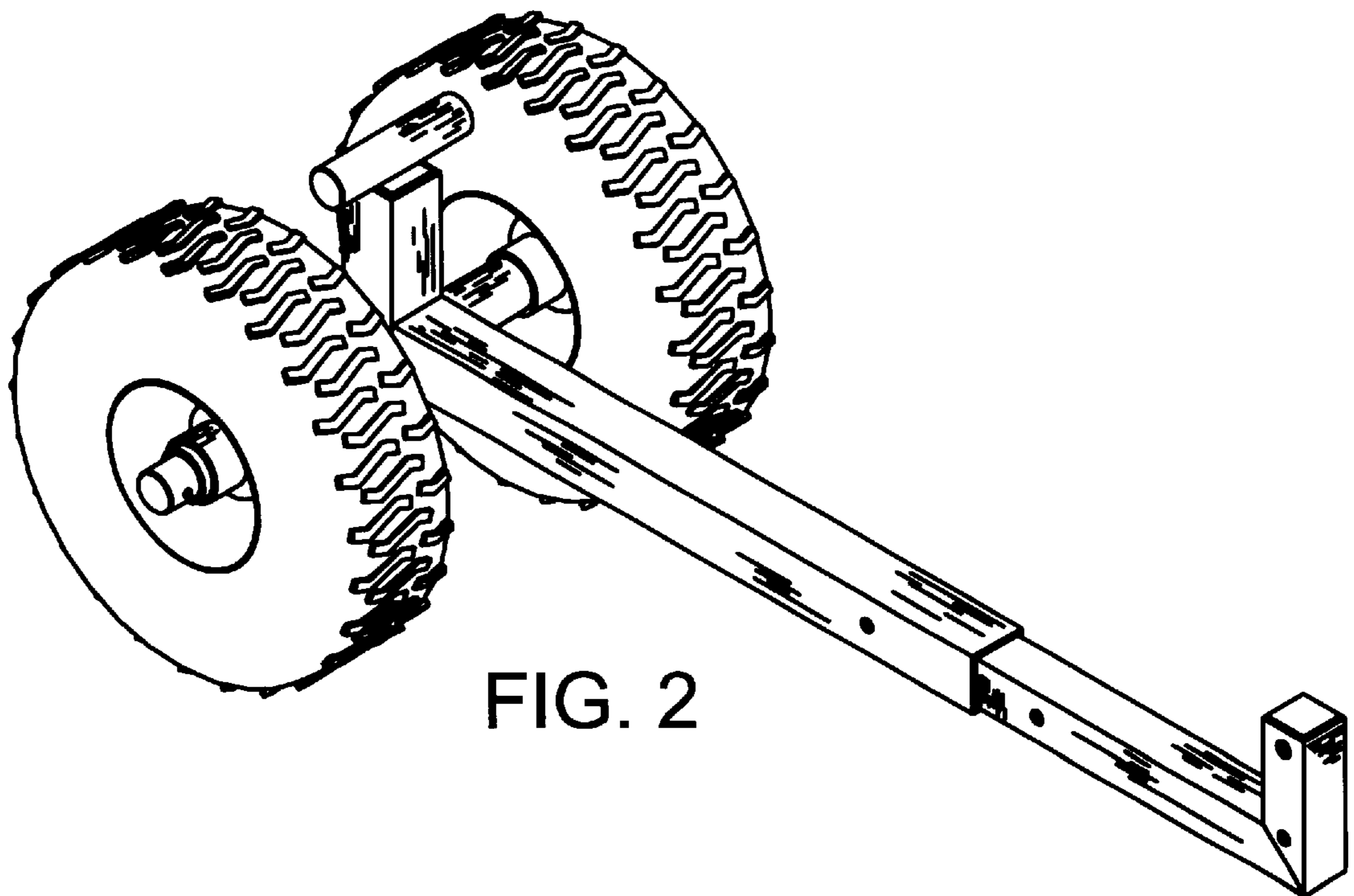


FIG. 2

FIG. 3

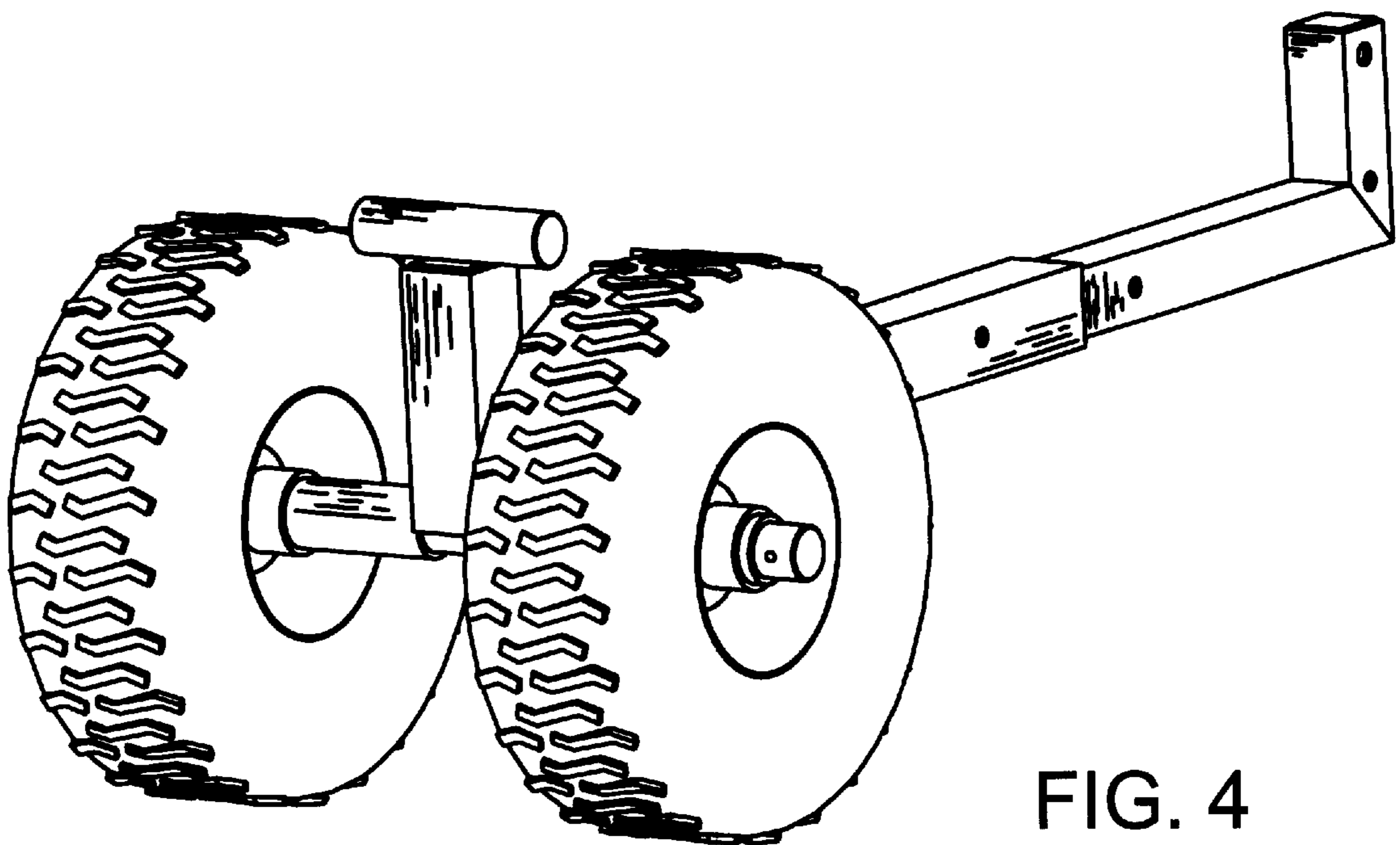
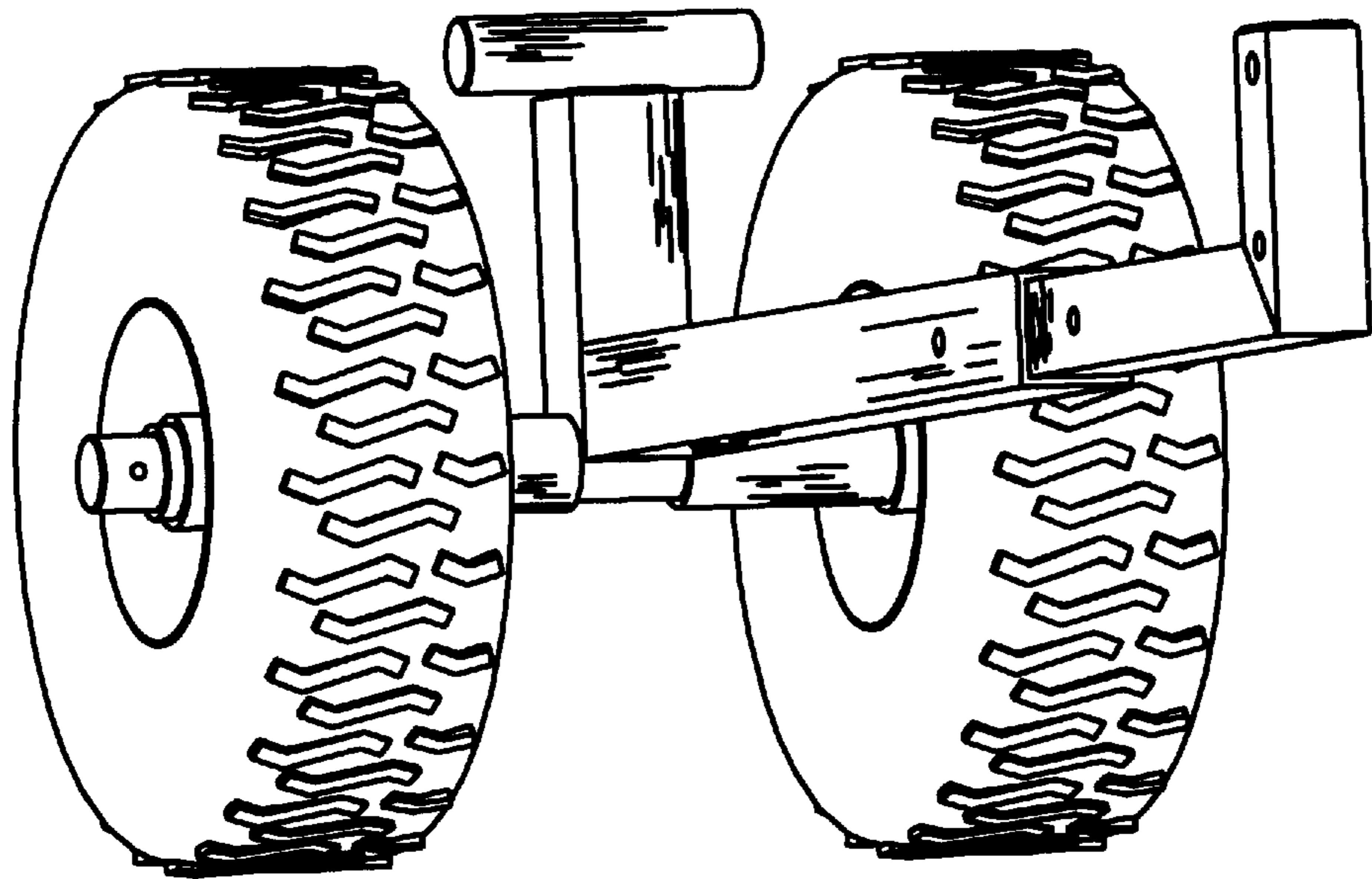


FIG. 4

FIG. 5

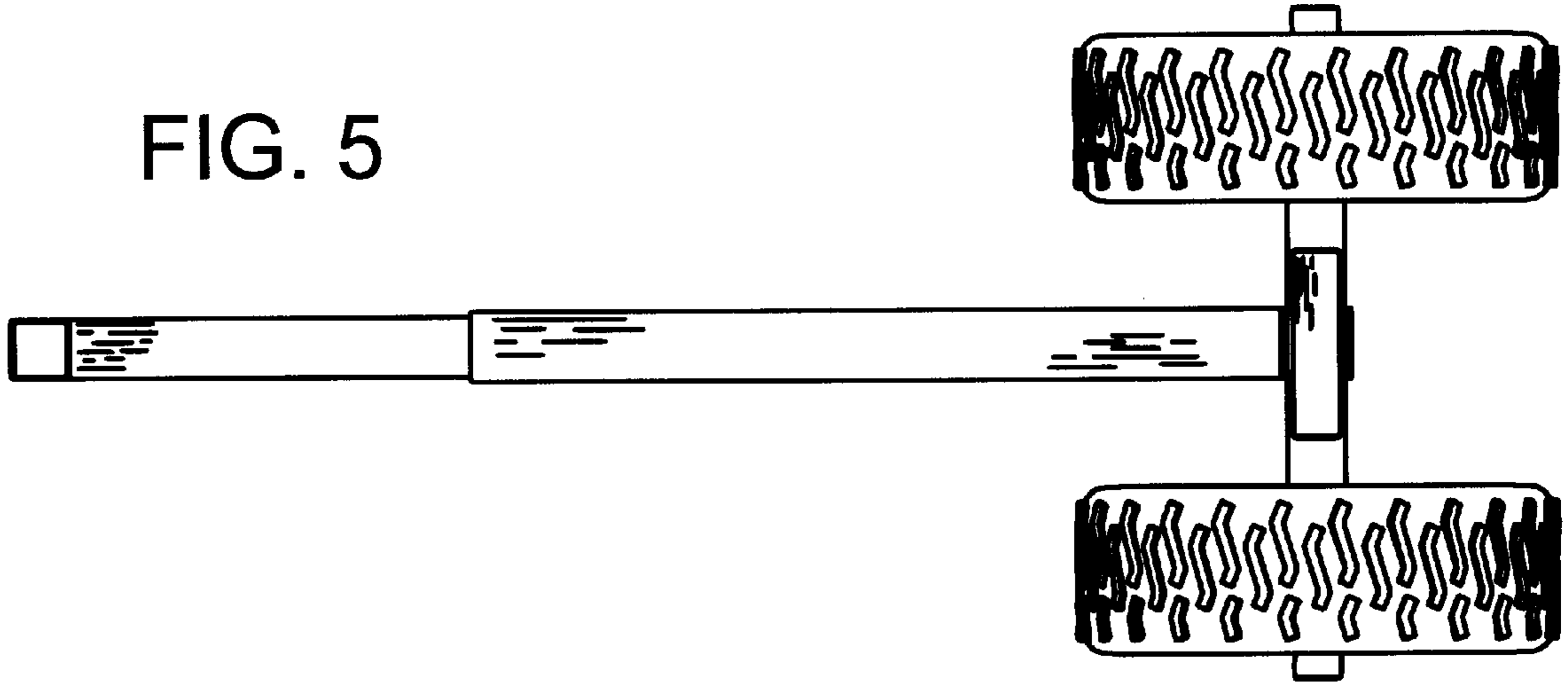


FIG. 6

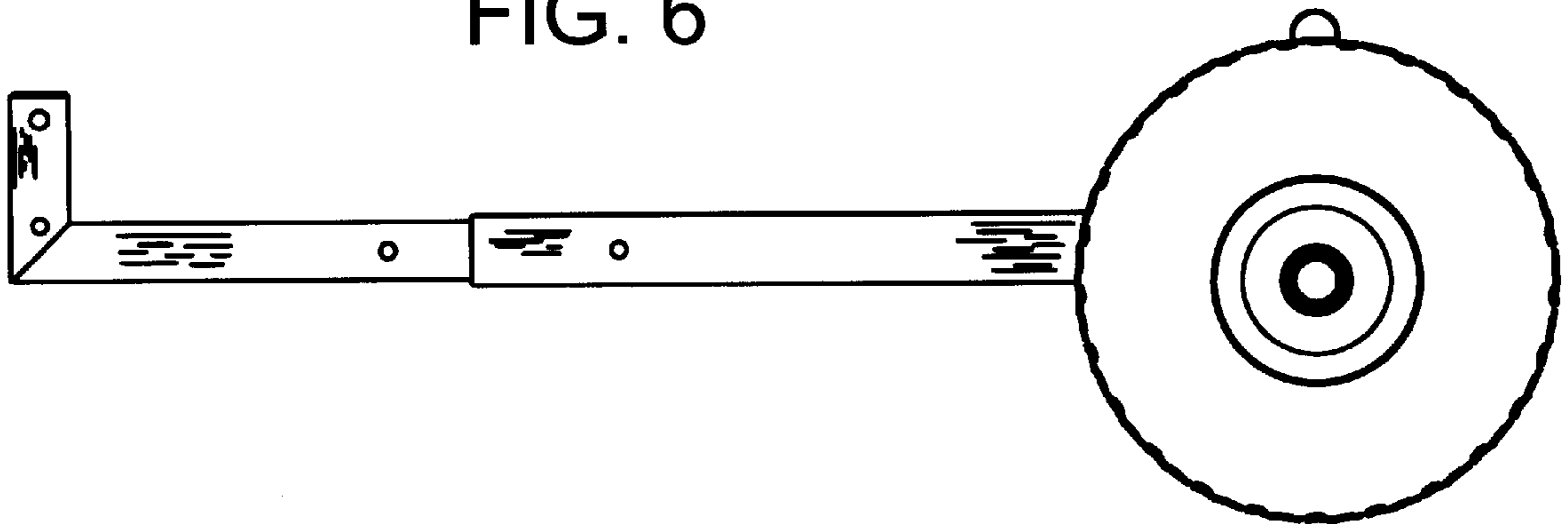


FIG. 7

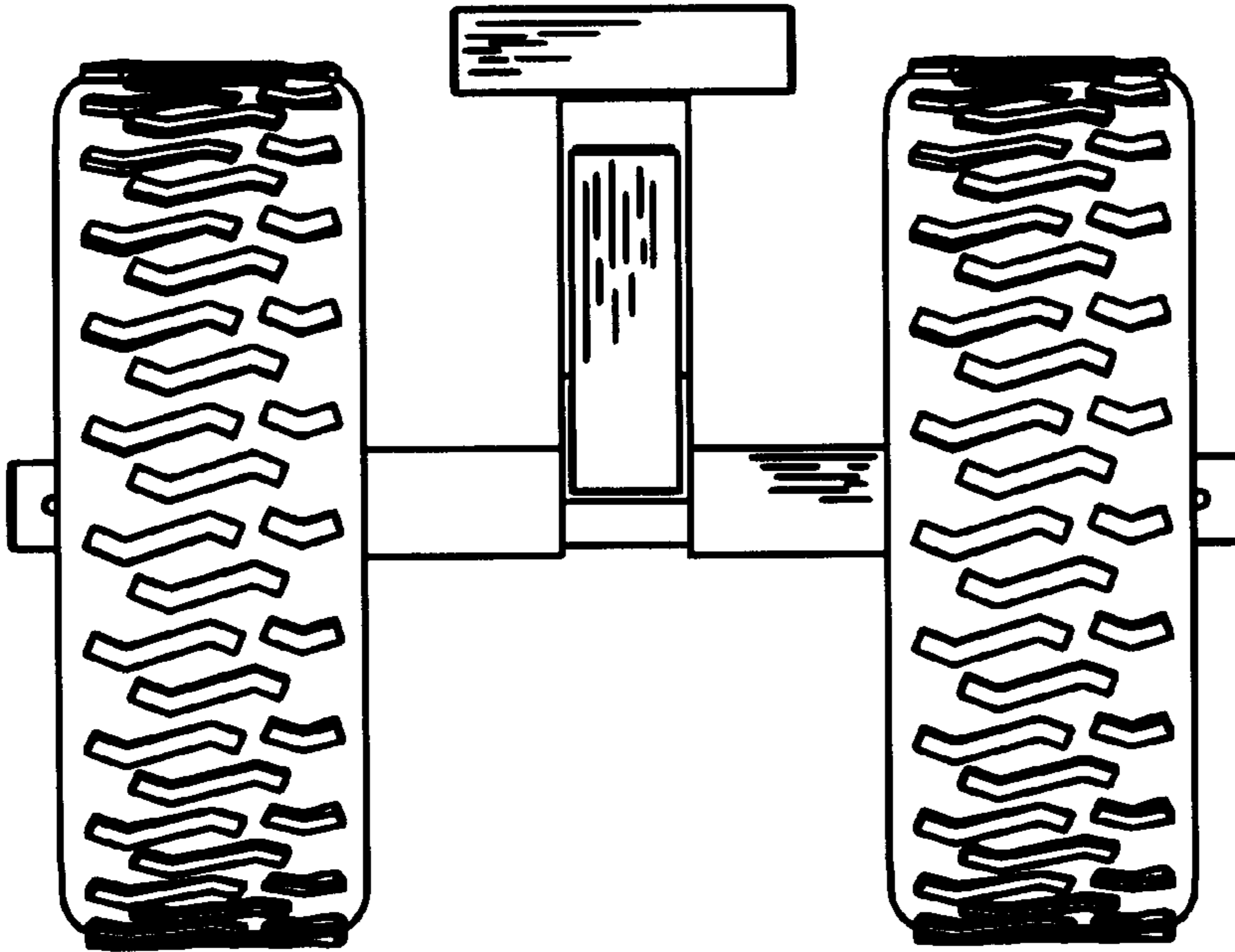


FIG. 8

