



US00D465896S

(12) **United States Design Patent**
Frehsee

(10) **Patent No.:** **US D465,896 S**

(45) **Date of Patent:** **** Nov. 19, 2002**

(54) **PET CLEANING CART**

(74) *Attorney, Agent, or Firm*—M. K. Silverman

(76) **Inventor:** **Eric T. Frehsee**, 8841 N. Lake Park Cir., Davie, FL (US) 33328

(57) **CLAIM**

(**) **Term:** **14 Years**

The ornamental design for a pet cleaning cart, as shown and described.

(21) **Appl. No.:** **29/155,517**

DESCRIPTION

(22) **Filed:** **Feb. 13, 2002**

This application corresponds to subject matter to that of Disclosure Document Deposit No. 482,301 dated Nov. 13, 2000.

(51) **LOC (7) Cl.** **12-02**

FIG. 1 is a top perspective view of a pet cleaning cart showing my new design;

(52) **U.S. Cl.** **D34/21; D34/17**

FIG. 2 is a front elevation view thereof;

(58) **Field of Search** **D34/12-27; D6/477-479; 280/47.34, 47.35, 79.11, 79.2, 79.3; 211/181.1**

FIG. 3 is a front elevation view thereof;

(56) **References Cited**

FIG. 4 is a right side elevation view thereof, the left side view being a mirror image of that shown;

U.S. PATENT DOCUMENTS

FIG. 5 is a top plan view thereof; and,

D217,714 S * 6/1970 Salsgiver D34/21

FIG. 6 is a bottom plan view thereof.

D426,691 S * 6/2000 Johnson et al. D34/21

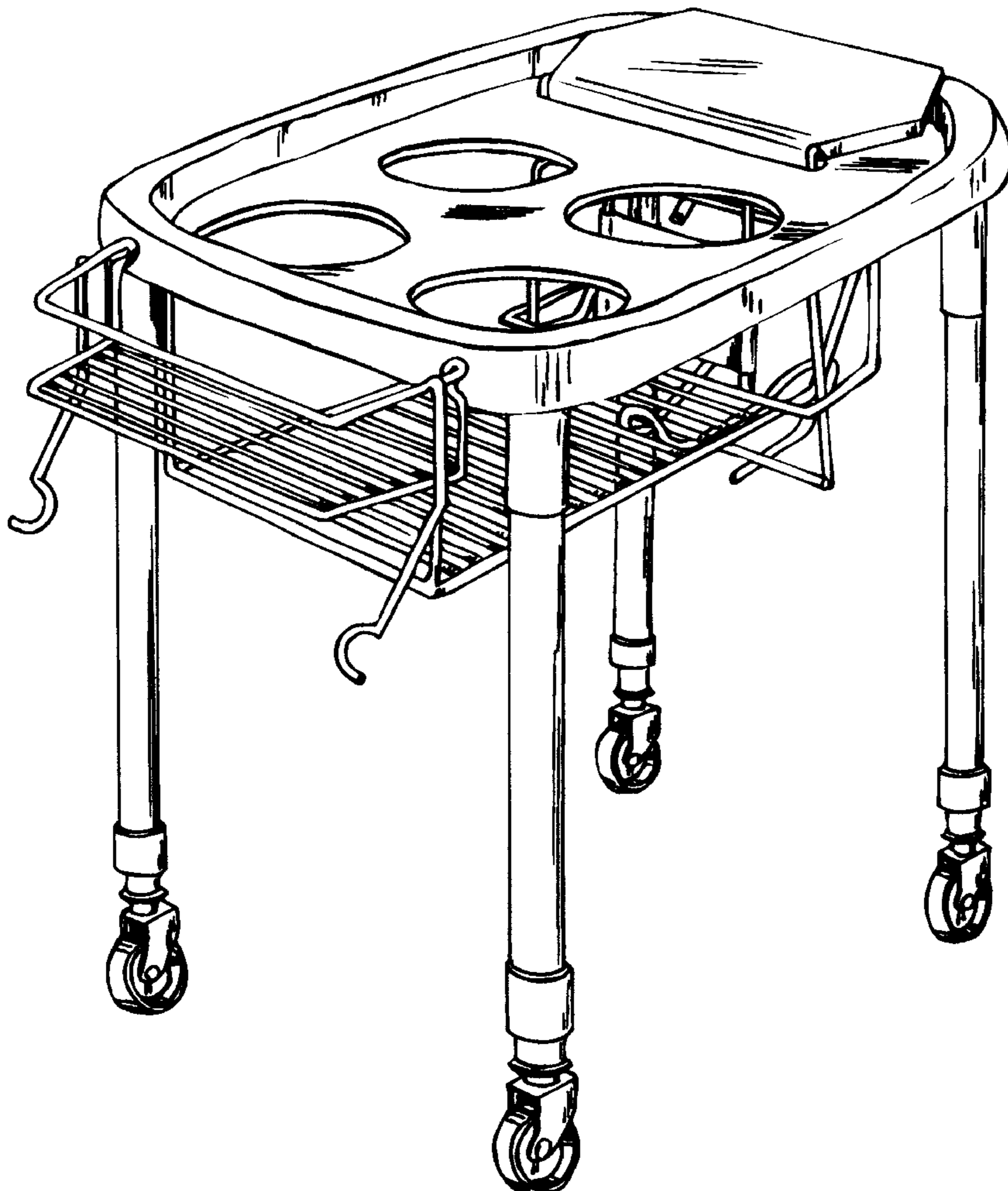
The portions of legs in FIGS. 2, 3 and 4 are shown broken away for convenience of illustration, and the broken line illustration of bag in FIG. 4 is for illustrative purposes only and forms no part of the claimed design.

D429,400 S * 8/2000 Walters-Dowding et al. D34/21

* cited by examiner

Primary Examiner—Kay H. Chin

1 Claim, 6 Drawing Sheets



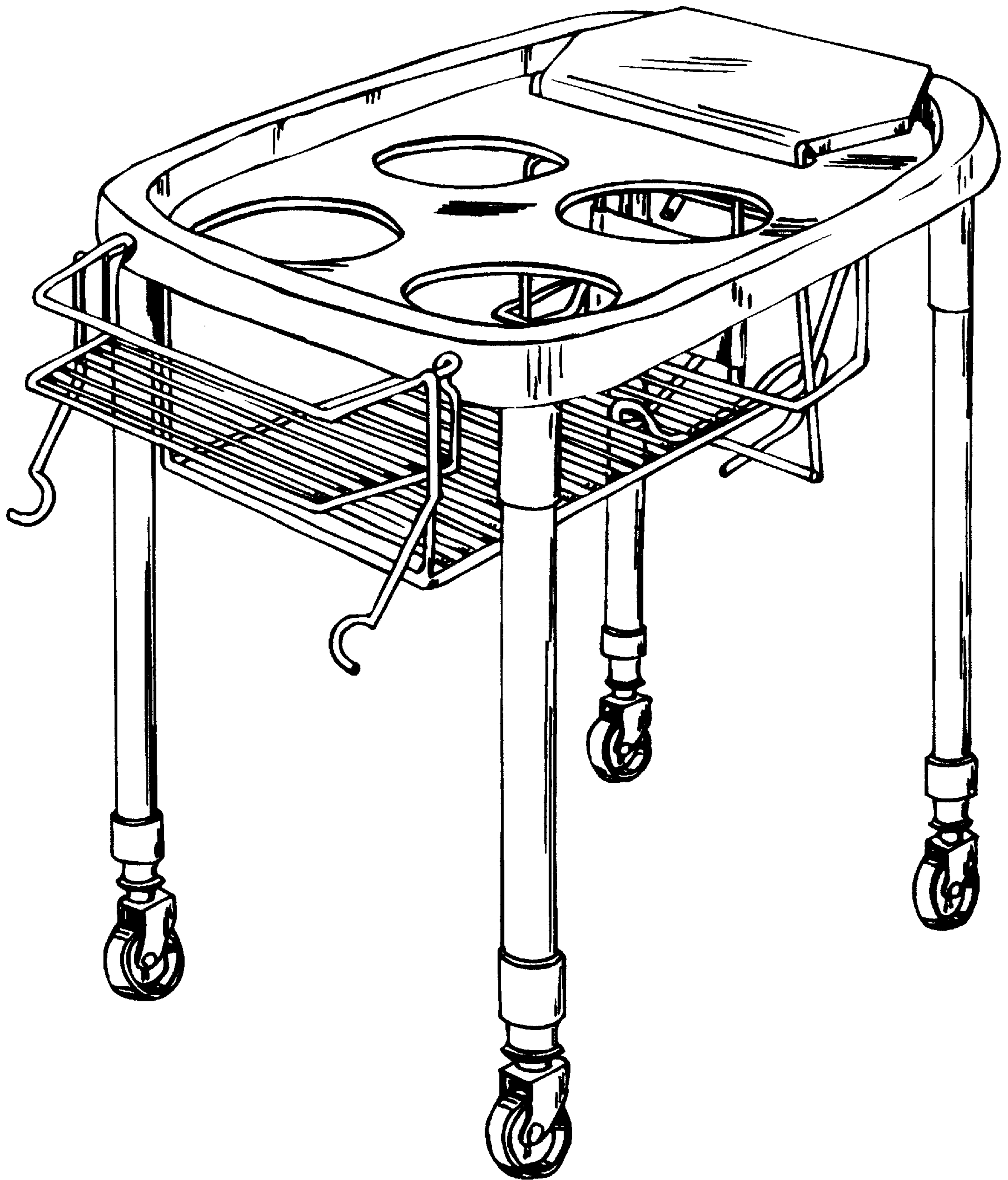


FIG. 1

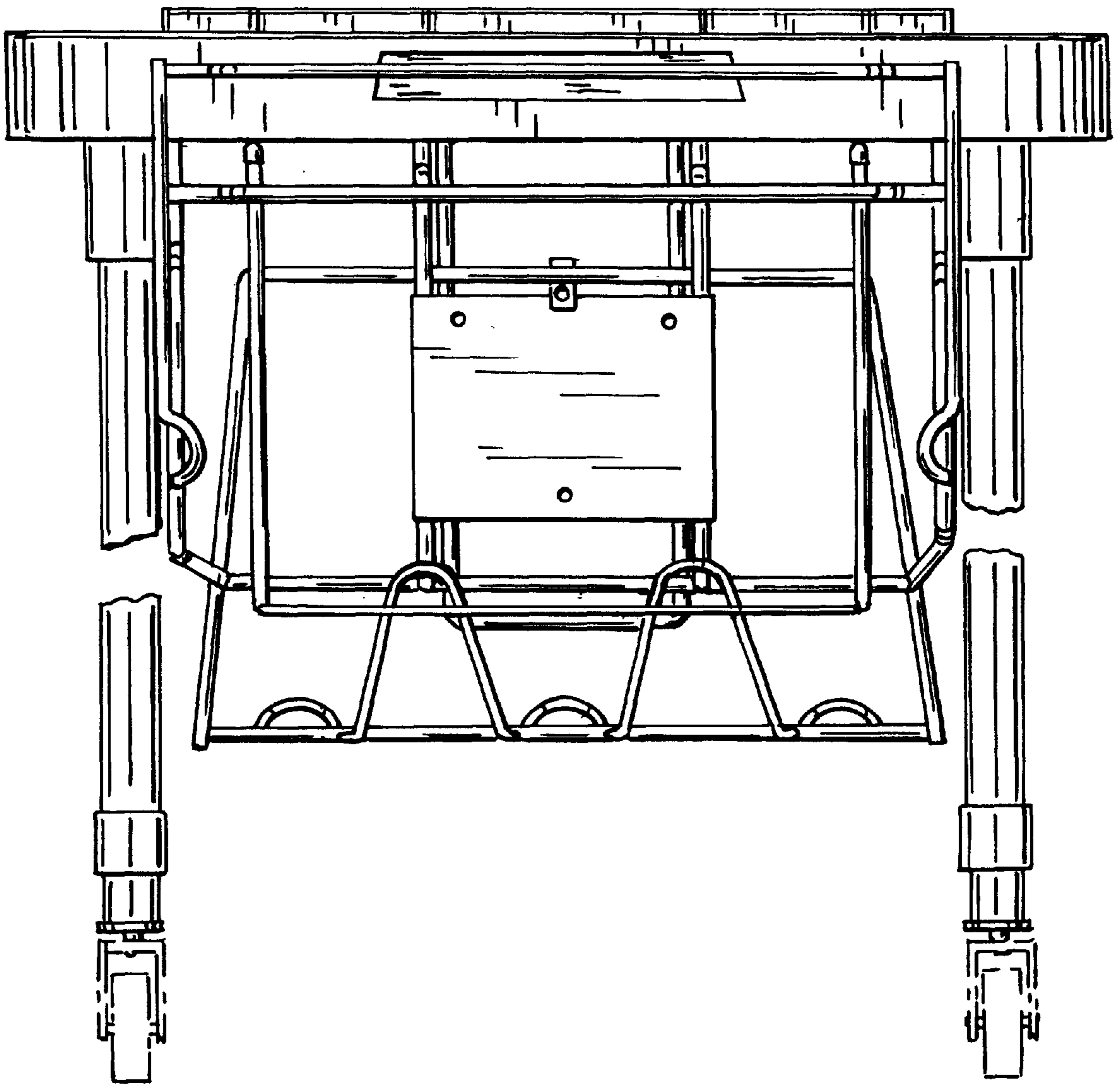


FIG. 2

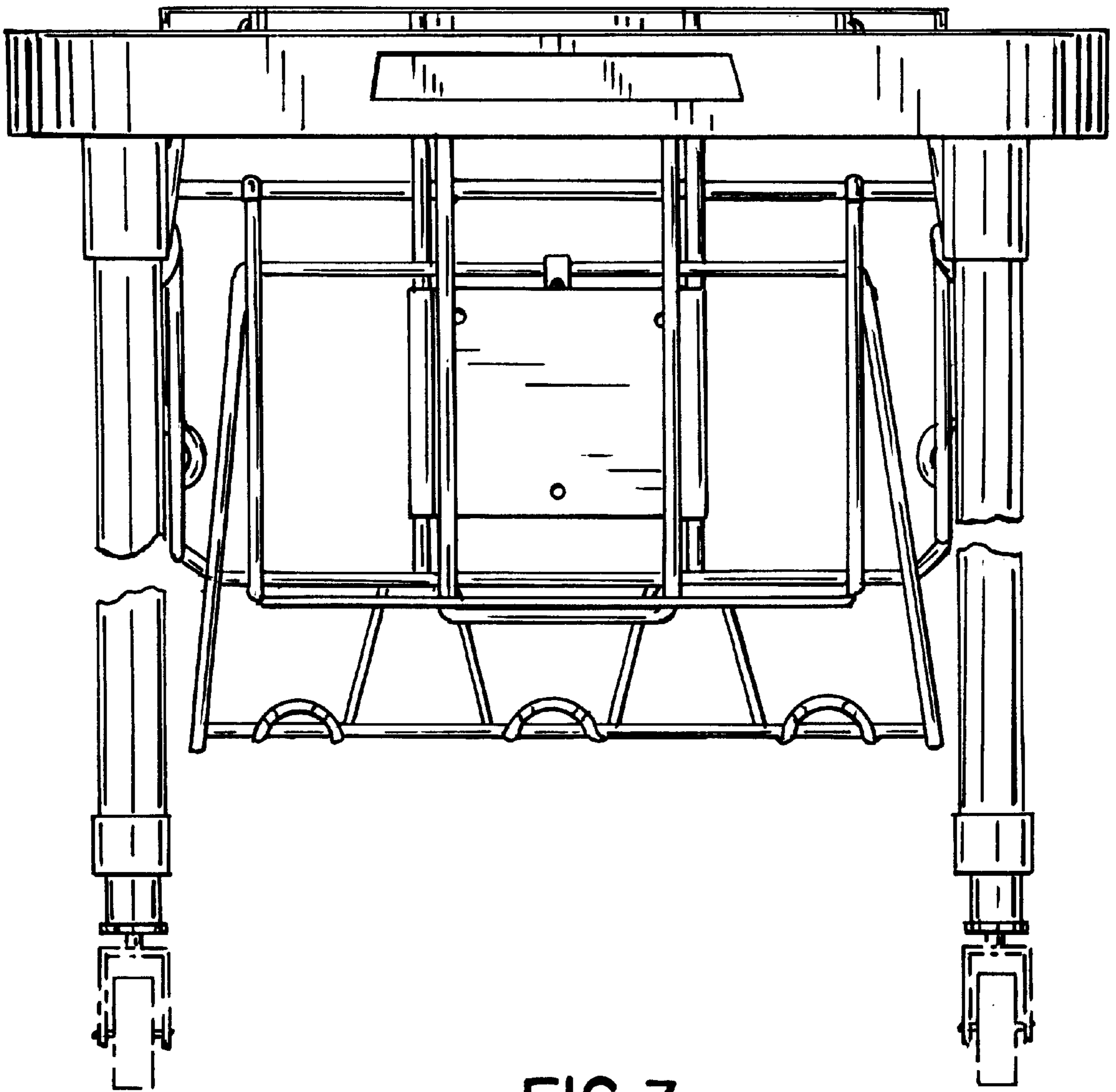


FIG. 3

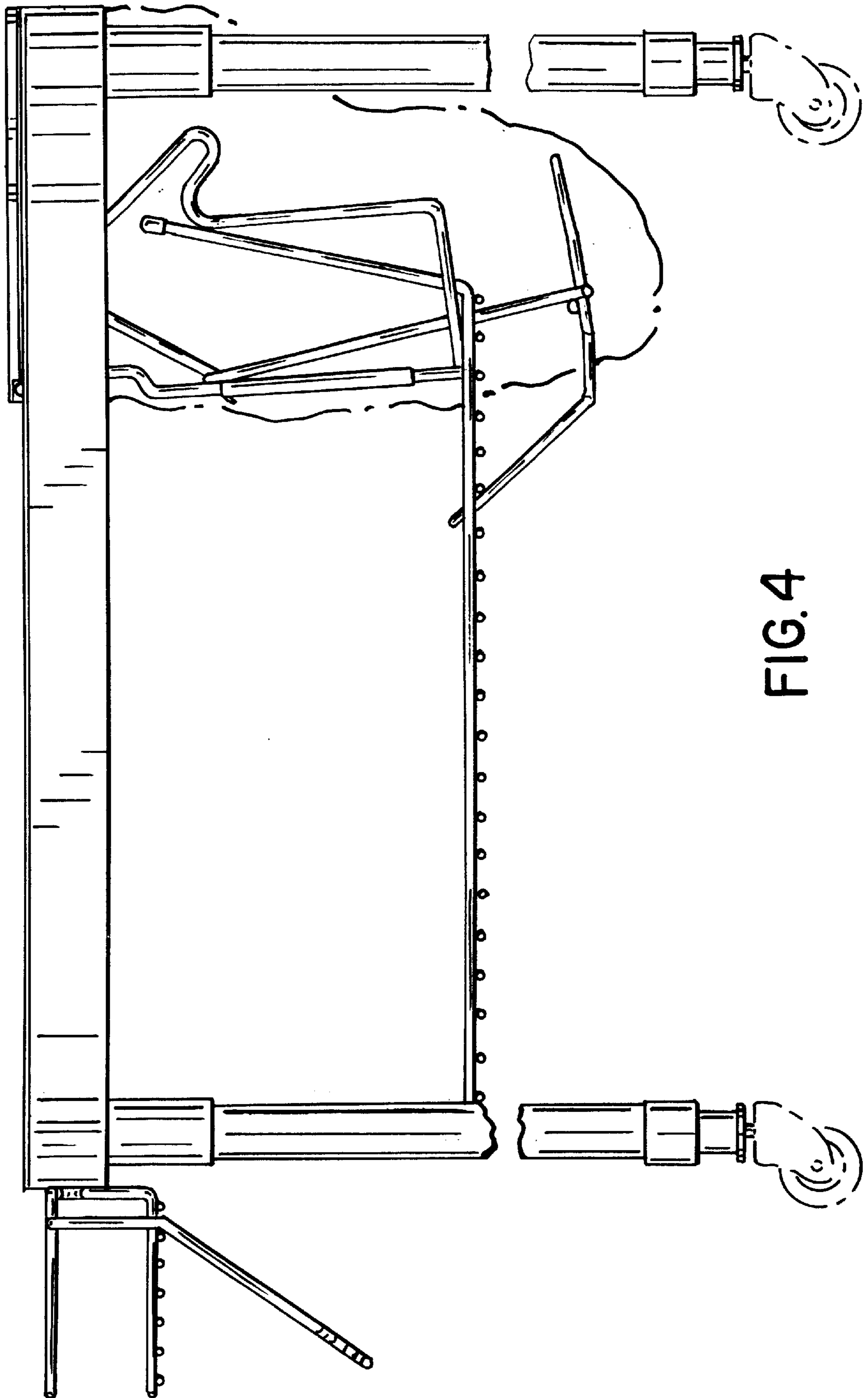


FIG. 4

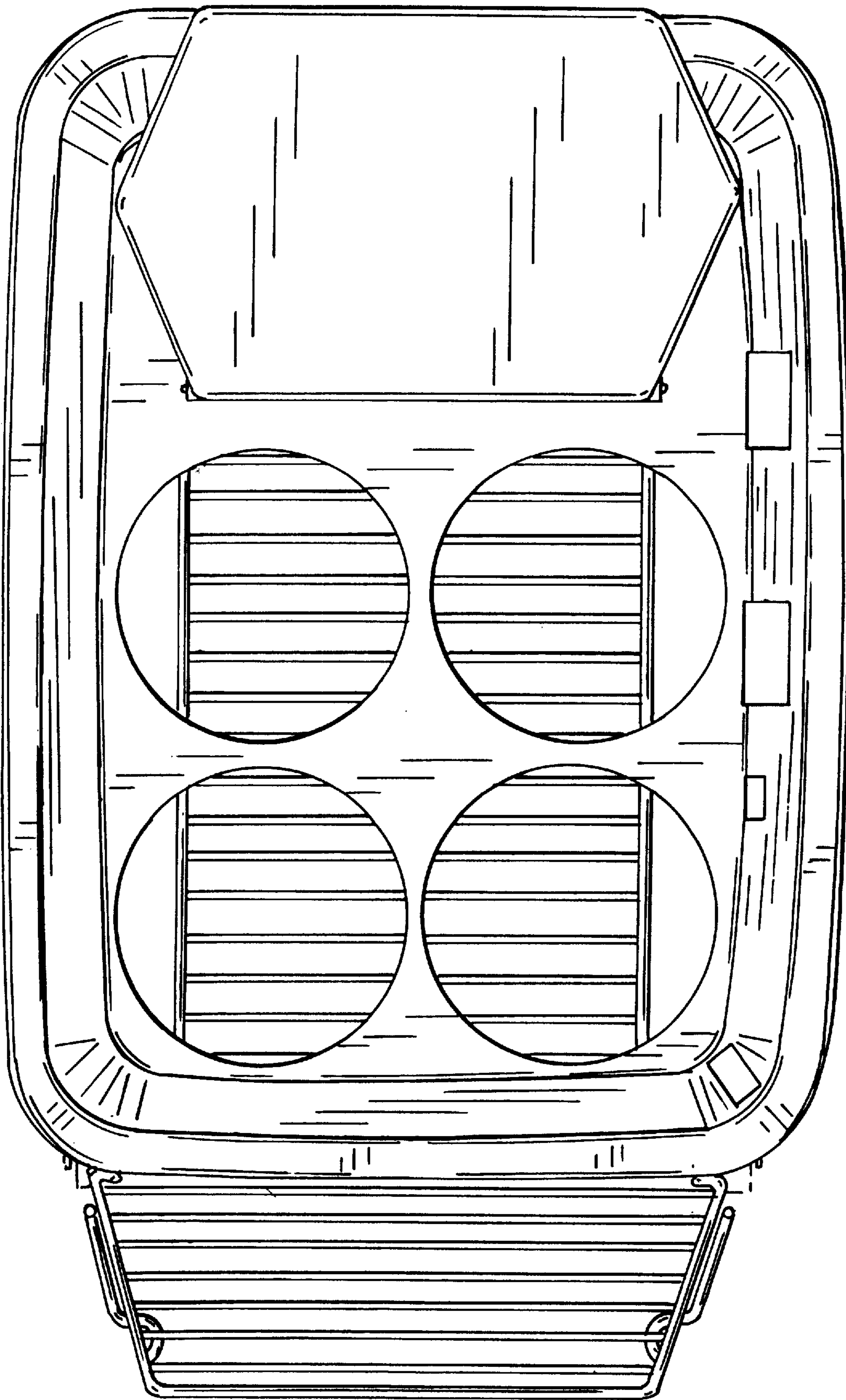


FIG. 5

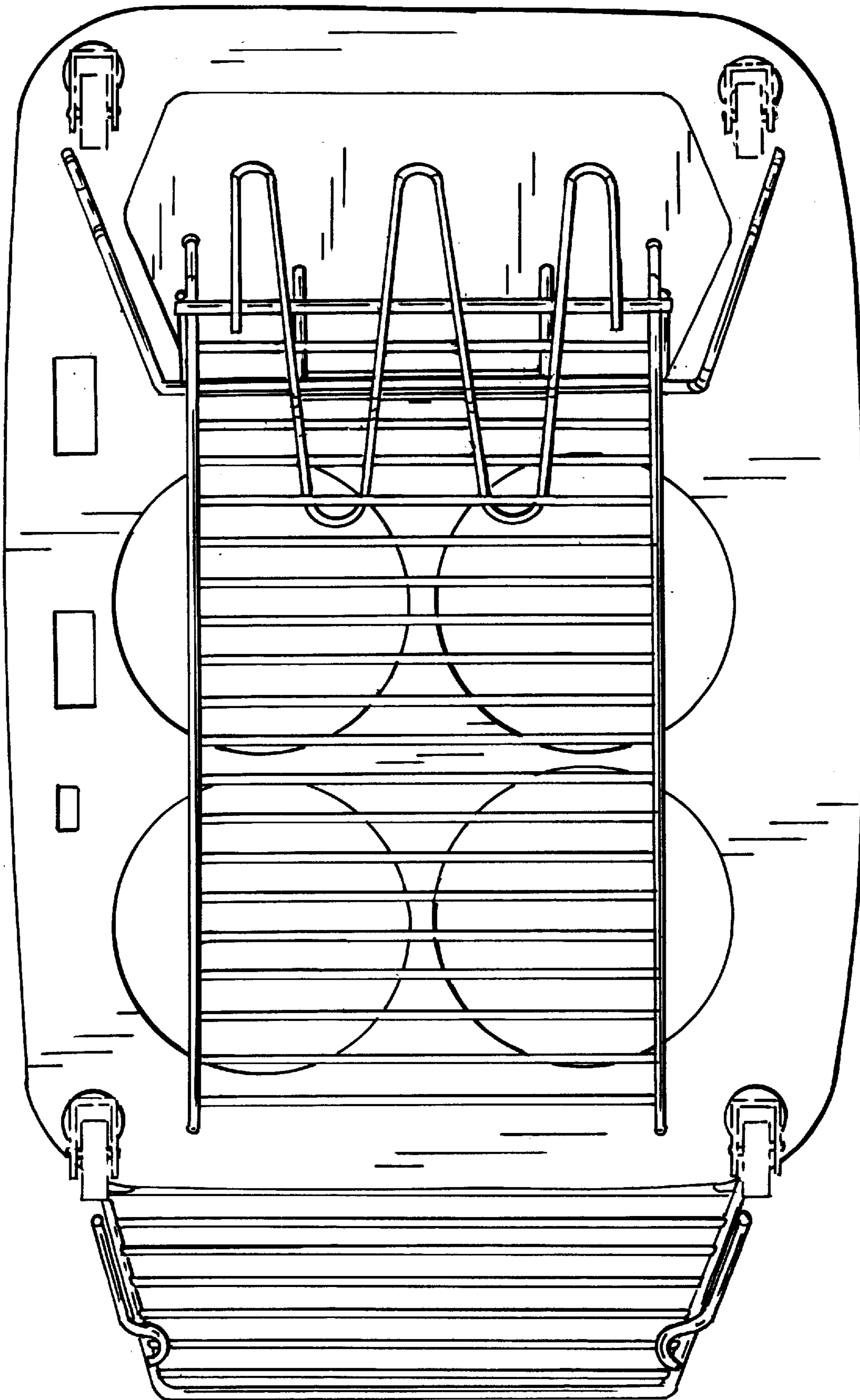


FIG.6