



US00D465895S

(12) **United States Design Patent**
Pfefferle et al.

(10) **Patent No.:** **US D465,895 S**

(45) **Date of Patent:** **** Nov. 19, 2002**

(54) **CART-HOUSING FOR AUTOMOTIVE SERVICE EQUIPMENT**

D430,374 S * 8/2000 Betcher et al. D34/20
D442,756 S * 5/2001 Jarvis et al. D34/19

(75) Inventors: **Dean P. Pfefferle**, Gilberts, IL (US);
Anwar Suharno, Schaumburg, IL (US);
Craig F. Govekar, Gurnee, IL (US);
Michael M. Meeker, Kenosha, WI (US);
Larry G. Moller, Harvard, IL (US);
Mark R. Schaefer, Greendale, WI (US)

(73) Assignee: **Snap-on Technologies, Inc.**,
Lincolnshire, IL (US)

(**) Term: **14 Years**

(21) Appl. No.: **29/149,789**

(22) Filed: **Oct. 18, 2001**

(51) **LOC (7) Cl.** **12-02**

(52) **U.S. Cl.** **D34/19; D14/307**

(58) **Field of Search** D34/12-27; D14/301,
D14/305, 307; D6/436, 438; 280/47.35,
79.7; 312/249.1, 249.8, 257, 324

(56) **References Cited**

U.S. PATENT DOCUMENTS

D299,345 S * 1/1989 Foy et al. D14/307
D311,080 S * 10/1990 Arnott et al. D34/21
D366,746 S * 1/1996 Jones D34/20
D398,727 S * 9/1998 Maddux et al. D34/19

OTHER PUBLICATIONS

Recovery/Recycling literature, model 342000, SPX Robinair pp. 8 and 9.
Coolant Service literature, SPX Robinair AF-PRO, pp. 57, 58 and 59.
White AT—Diagnostic Station drawings, pp. 1 and 3, dated Jun. 27, 2000.

* cited by examiner

Primary Examiner—Kay H. Chin

(74) *Attorney, Agent, or Firm*—Seyfarth Shaw

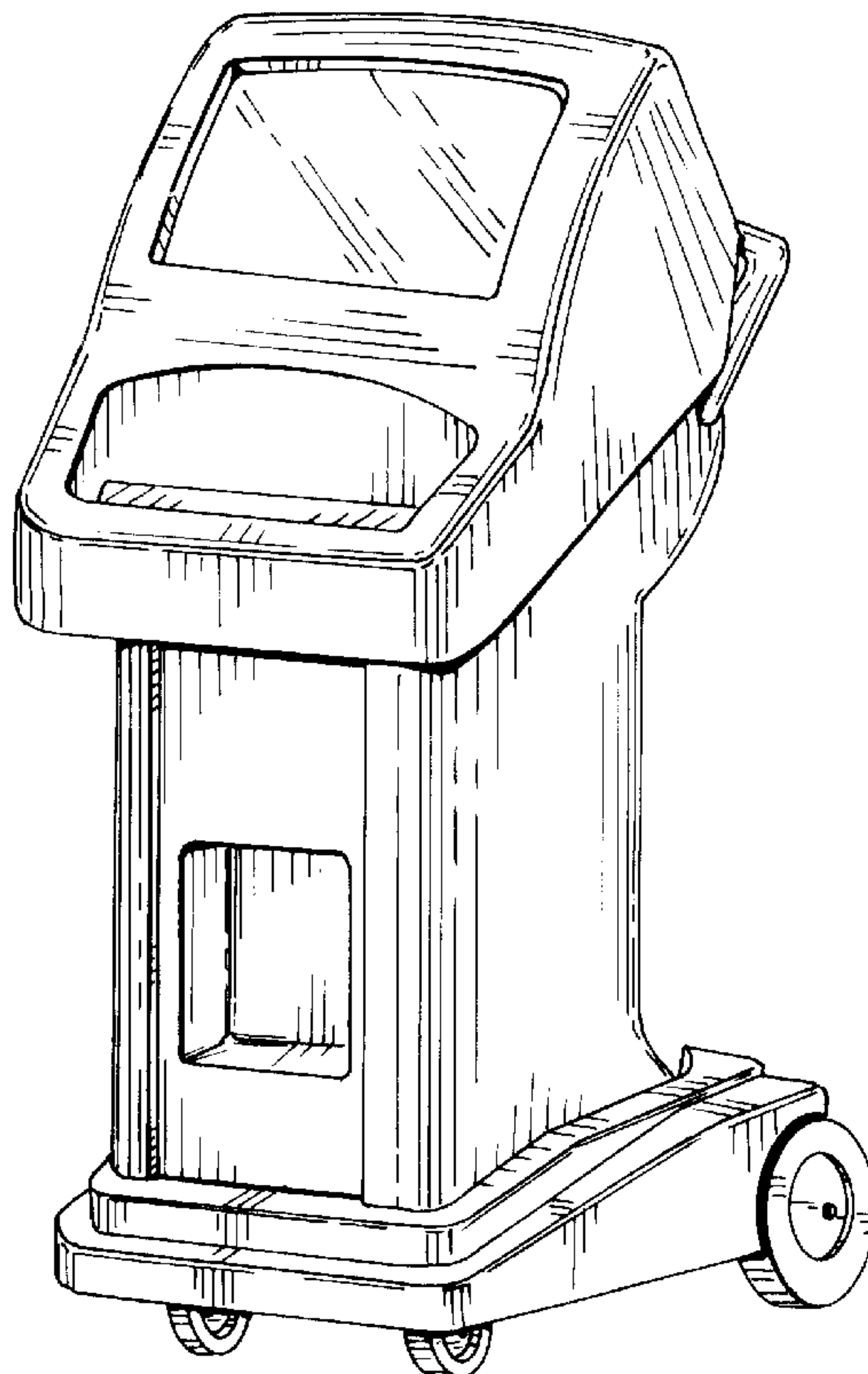
(57) **CLAIM**

The ornamental design for a cart-housing for automotive service equipment, as shown and described.

DESCRIPTION

FIG. 1 is a front perspective view of a cart-housing for automotive service equipment showing our new design; FIG. 2 is a rear perspective view thereof; FIG. 3 is a front elevation view thereof; FIG. 4 is a rear elevation view thereof; FIG. 5 is a side view thereof, the other side being a mirror image; and FIG. 6 is a top plan view thereof; and, FIG. 7 is a bottom plan view thereof.

1 Claim, 5 Drawing Sheets



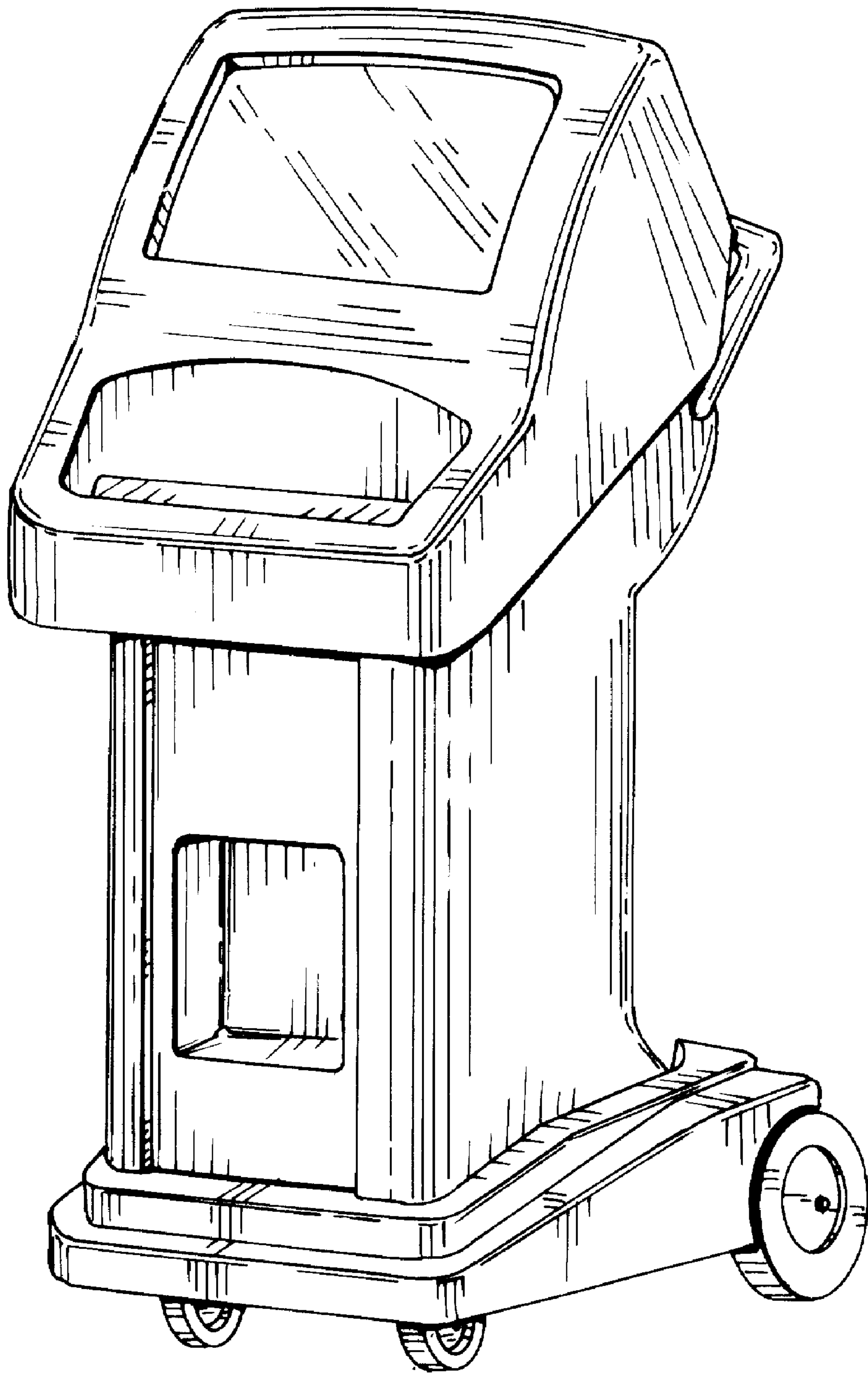


FIG. 1

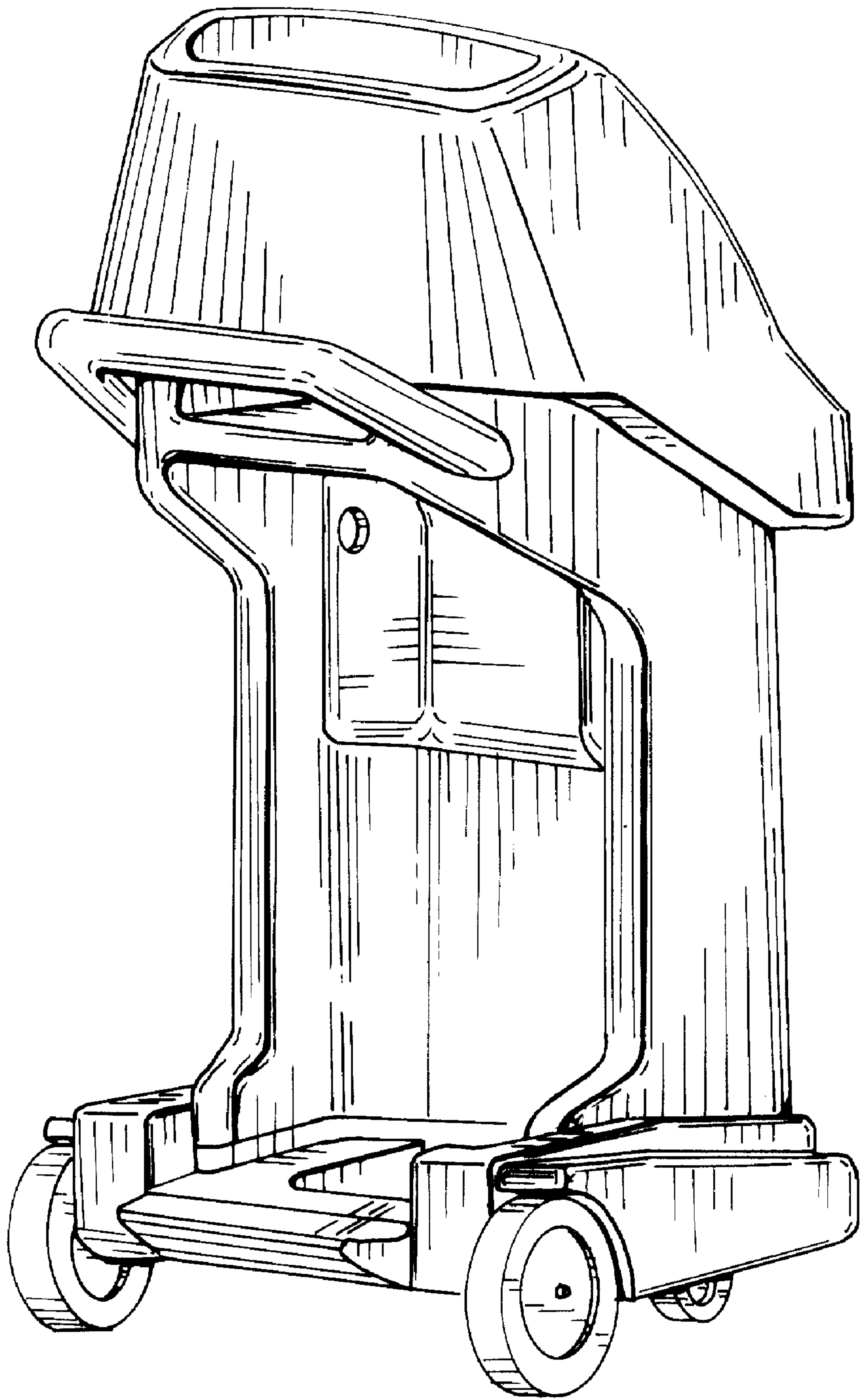


FIG. 2

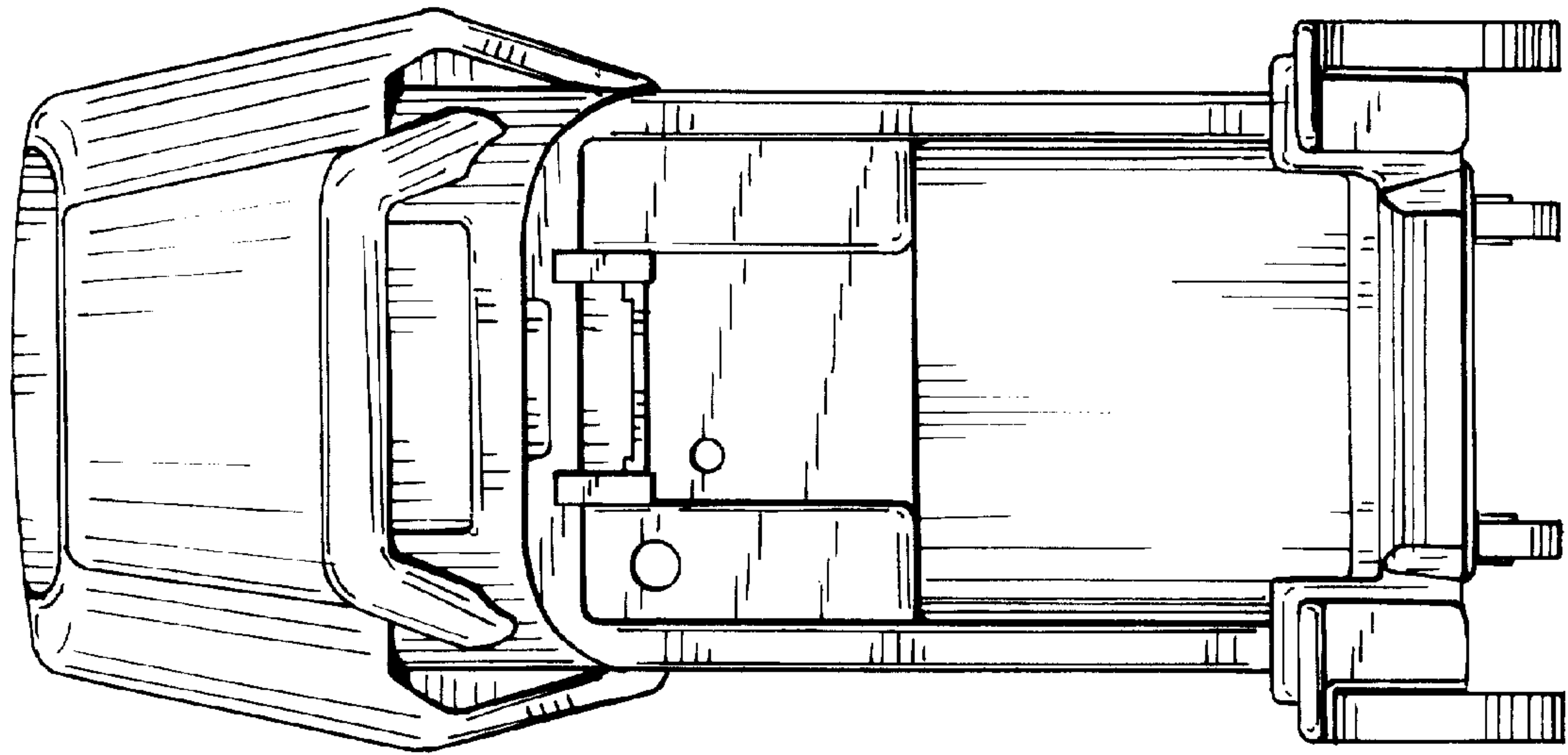


FIG. 4

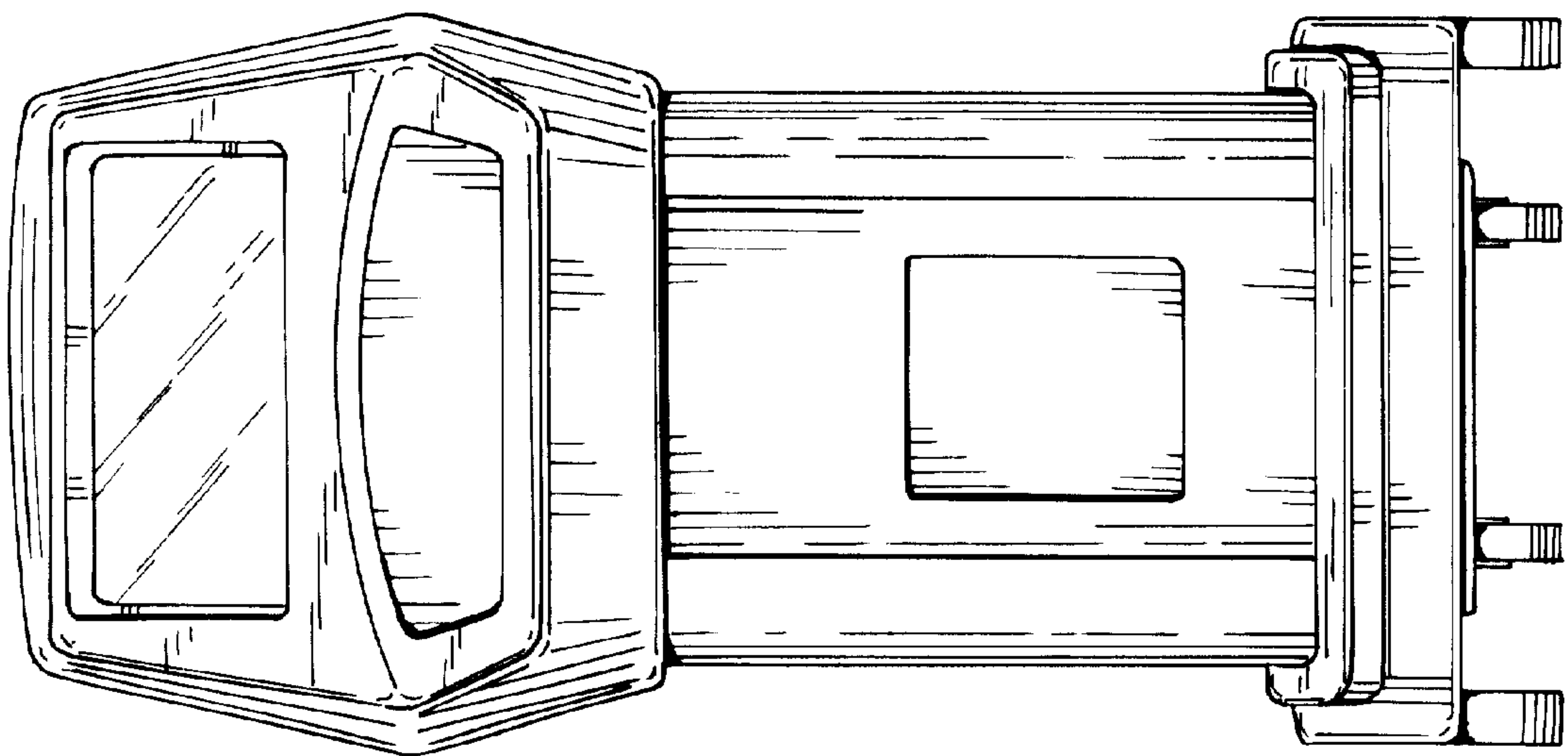


FIG. 3

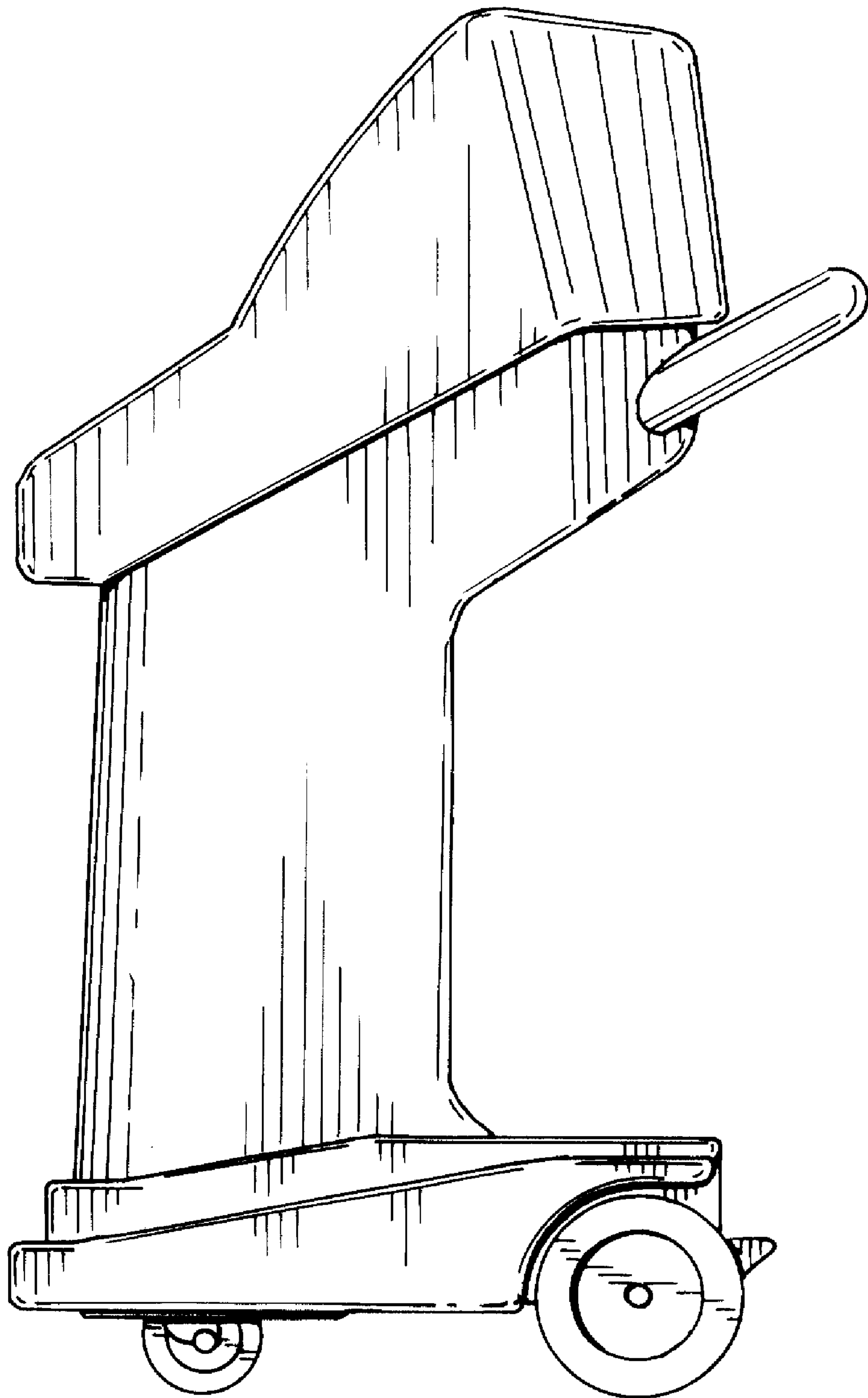


FIG. 5

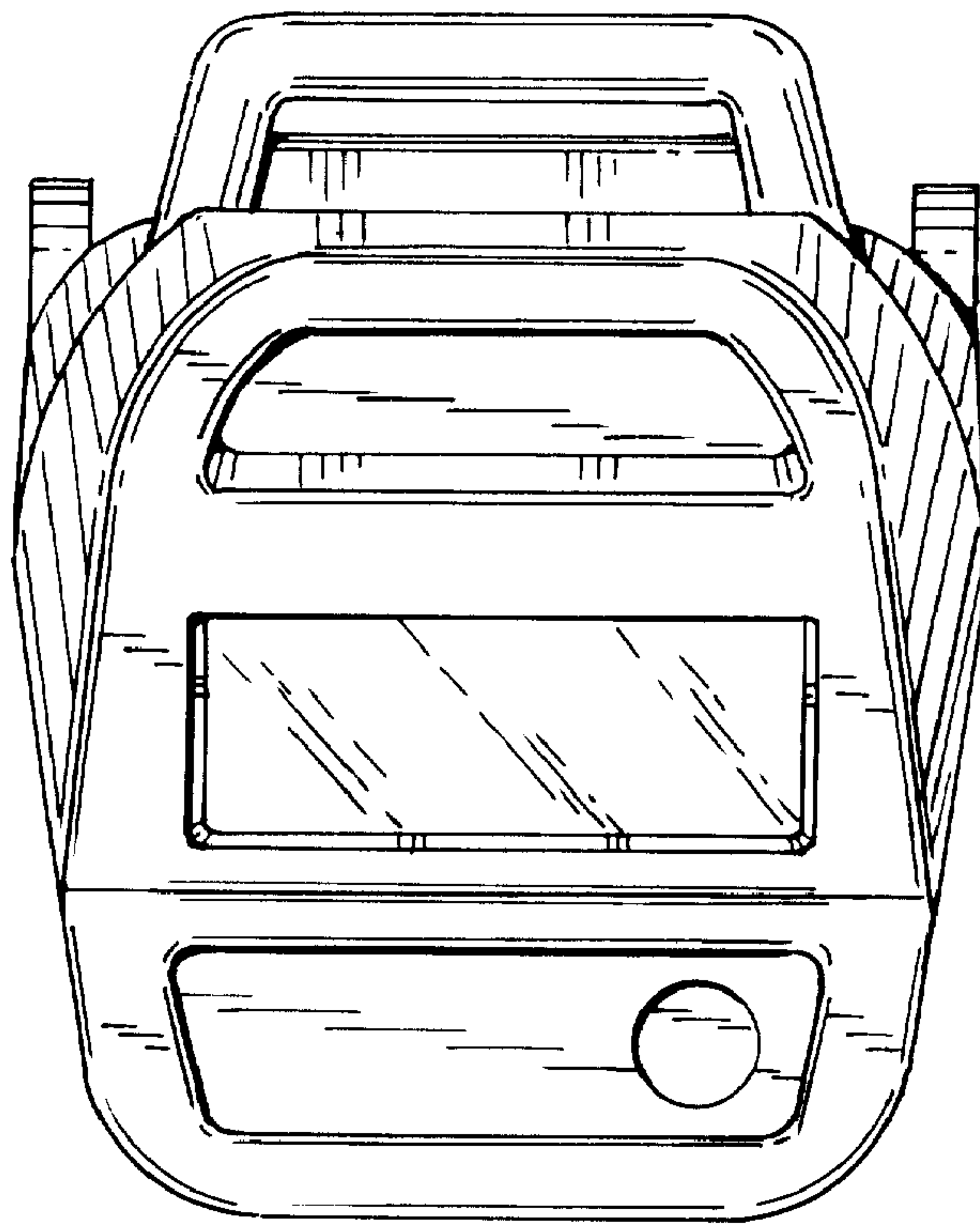


FIG. 6

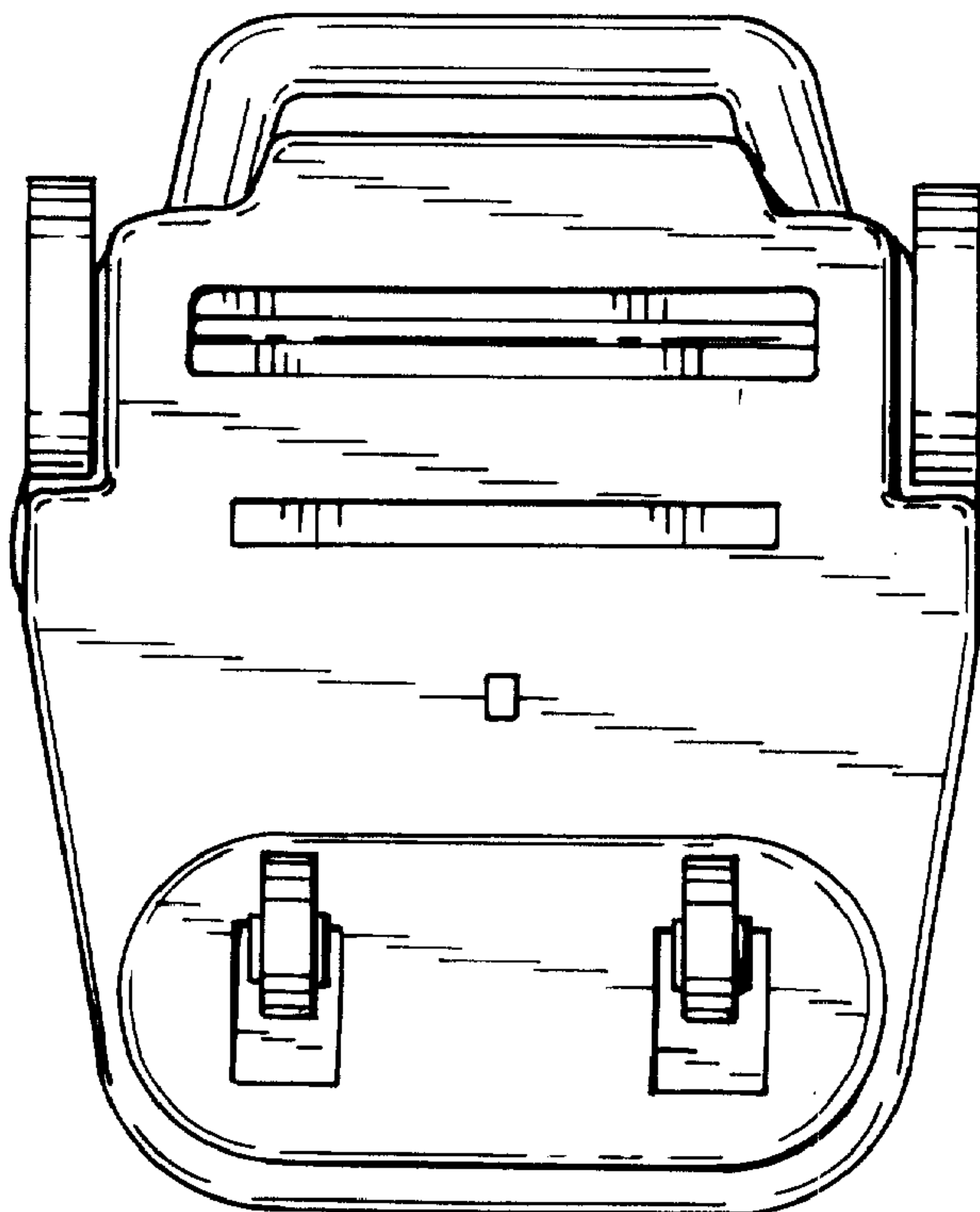


FIG. 7